



US00D811273S

(12) **United States Design Patent** (10) **Patent No.:** **US D811,273 S**
Villain (45) **Date of Patent:** **** Feb. 27, 2018**

(54) **MOTOR VEHICLE AND/OR TOY REPLICA THEREOF**

(71) Applicant: **RENAULT s.a.s.**, Boulogne-Billancourt (FR)

(72) Inventor: **Antony Villain**, Boulogne-Billancourt (FR)

(73) Assignee: **RENAULT s.a.s.**, Boulogne-Billancourt (FR)

(**) Term: **15 Years**

(21) Appl. No.: **29/573,354**

(22) Filed: **Aug. 4, 2016**

Related U.S. Application Data

(63) Continuation of application No. 35/500,061, filed on Jun. 9, 2015 (U.S. filing date under 35 U.S.C. 384), and having an international filing date of Jun. 2, 2015, now abandoned, and a continuation of application No. 35/500,024, filed on Jun. 9, 2015 (U.S. filing date under 35 U.S.C. 384), and having an international filing date of Jun. 9, 2015, now abandoned.

(30) **Foreign Application Priority Data**

Dec. 15, 2014 (WO) 41049
Dec. 15, 2014 (WO) 41051

(51) **LOC (11) Cl.** **12-08**

(52) **U.S. Cl.**
USPC **D12/92**

(58) **Field of Classification Search**
USPC D12/86, 90-92, 88; D21/421, 433, 434;
296/181.1, 181.5
CPC B62D 35/00; B62D 25/00; B62D 25/06;
B62D 33/00

See application file for complete search history.

(56) **References Cited**

U.S. PATENT DOCUMENTS

D411,139 S	6/1999	Lai
D417,414 S	12/1999	Mobius
D436,061 S	1/2001	Mobius
D438,145 S	2/2001	Hatter
D468,238 S	1/2003	Bhambra
D507,207 S	7/2005	Larson
D526,600 S	8/2006	Lai
D547,240 S	7/2007	Kulla
D560,557 S	1/2008	Kulla
D561,645 S	2/2008	Kim
D575,678 S	8/2008	Matsumoto
D589,403 S	3/2009	Saracoglu
D590,300 S	4/2009	Saracoglu
D590,301 S	4/2009	Saracoglu

(Continued)

Primary Examiner — Melody N Brown

(74) *Attorney, Agent, or Firm* — Oblon, McClelland, Maier & Neustadt, L.L.P.

(57) **CLAIM**

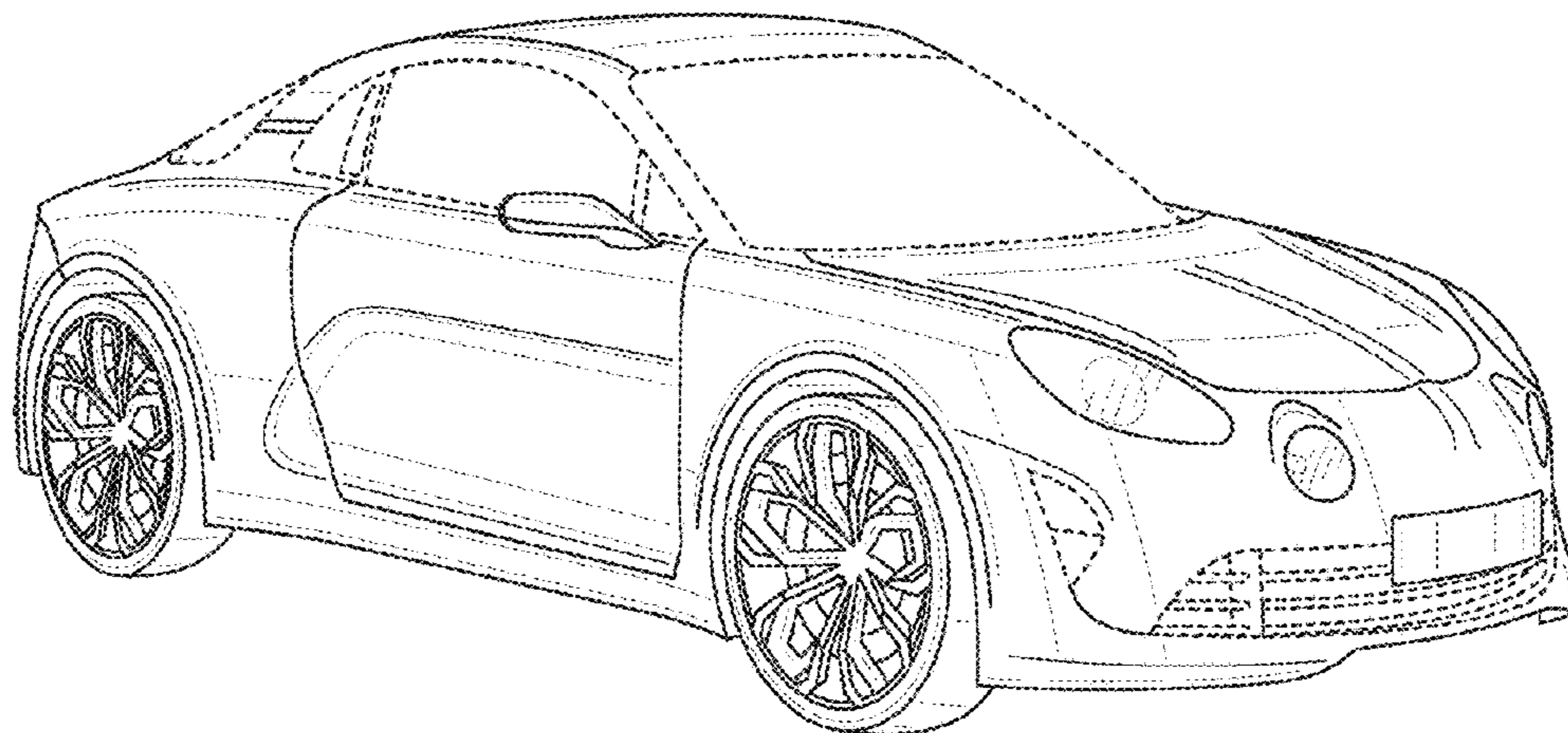
The ornamental design for a motor vehicle and/or toy replica thereof, as shown and described.

DESCRIPTION

FIG. 1 is a front elevational view of a motor vehicle and/or toy replica thereof showing my new design; FIG. 2 is a top, front and right side perspective view thereof; FIG. 3 is a right side perspective view thereof, the left side being a mirror image thereof; FIG. 4 is a top, rear and right side elevational view thereof; FIG. 5 is a rear elevational view thereof; and, FIG. 6 is a top plan view thereof.

The broken lines shown throughout the drawing views are for illustrative purposes only and form no part of the claimed design.

1 Claim, 6 Drawing Sheets



(56)

References Cited

U.S. PATENT DOCUMENTS

D605,560 S	12/2009	Kulla	
D607,780 S	1/2010	Larson	
D651,135 S	12/2011	Varga	
D673,484 S	1/2013	Robinson	
D680,910 S	4/2013	David	
D683,660 S	6/2013	Sugiura	
D687,348 S *	8/2013	Nurnberger	D12/92
D692,800 S	11/2013	Wiltshire	
D693,273 S	11/2013	Takahashi	
D699,154 S	2/2014	Liu	
D701,146 S	3/2014	Varga	
D703,103 S *	4/2014	Lee	D12/92
D703,104 S	4/2014	Scaringe	
D709,799 S	7/2014	Kato	
D715,693 S	10/2014	Lamberty	
D718,664 S	12/2014	Robinson	
D724,495 S	3/2015	Majdandzic	
D733,615 S	7/2015	Ikuma	
D736,672 S	8/2015	Lamberty	
D745,438 S	12/2015	Rasmussen	
D751,465 S	3/2016	Stopka	
D781,748 S *	3/2017	Manzoni	D12/88
D790,399 S *	6/2017	Perini	D12/92
D795,135 S *	8/2017	Davidson	D12/92

* cited by examiner

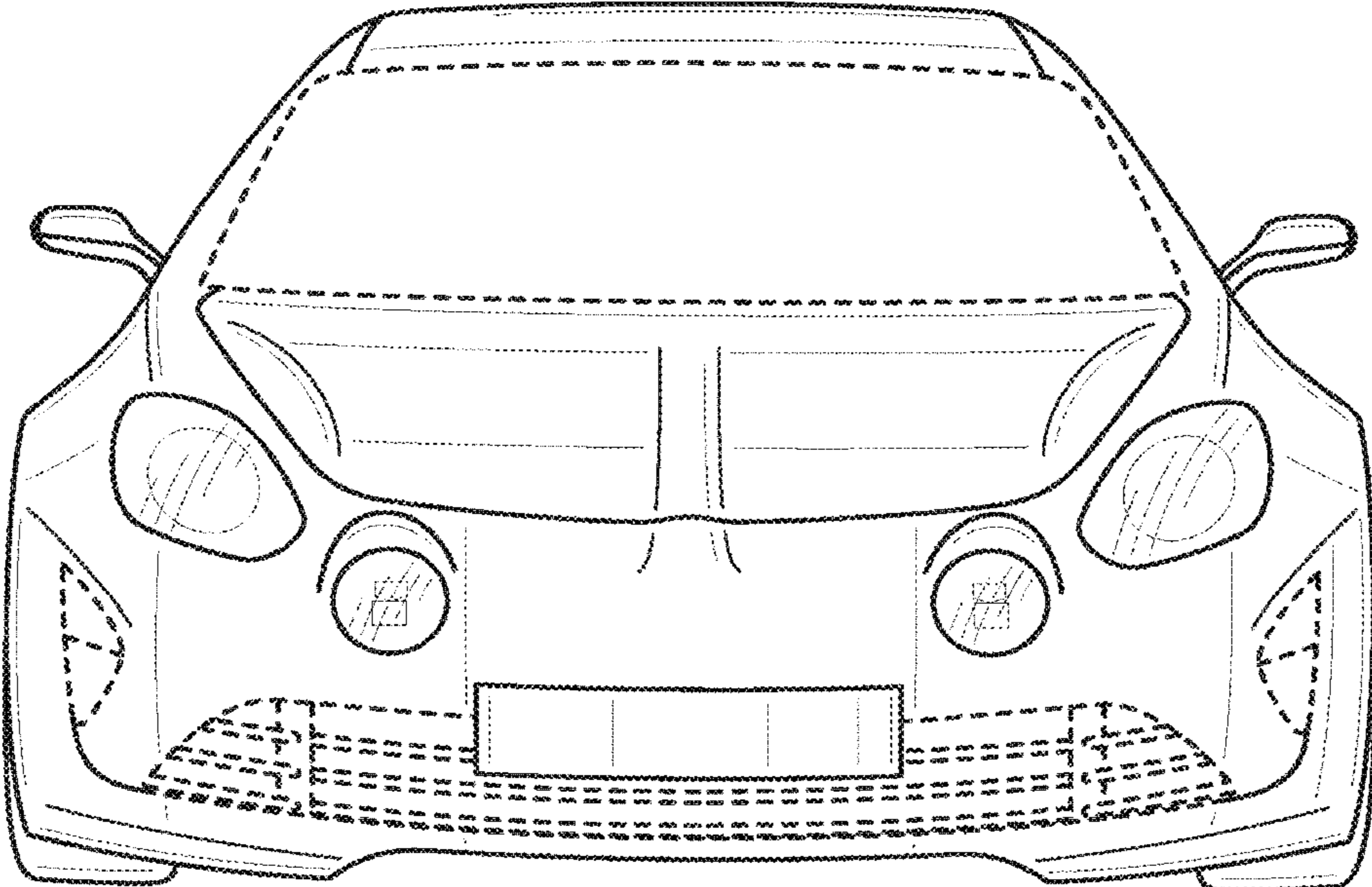


FIG. 1

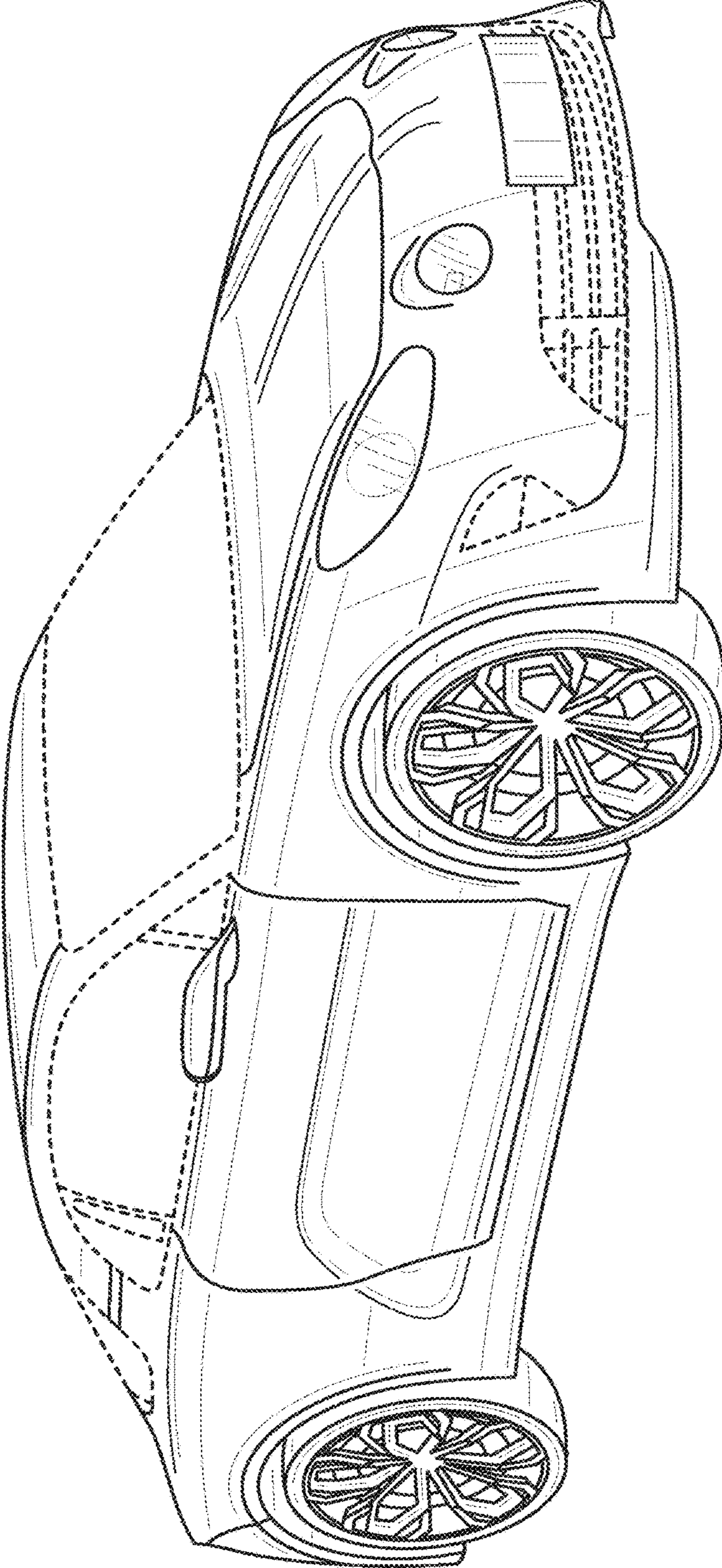


FIG. 2

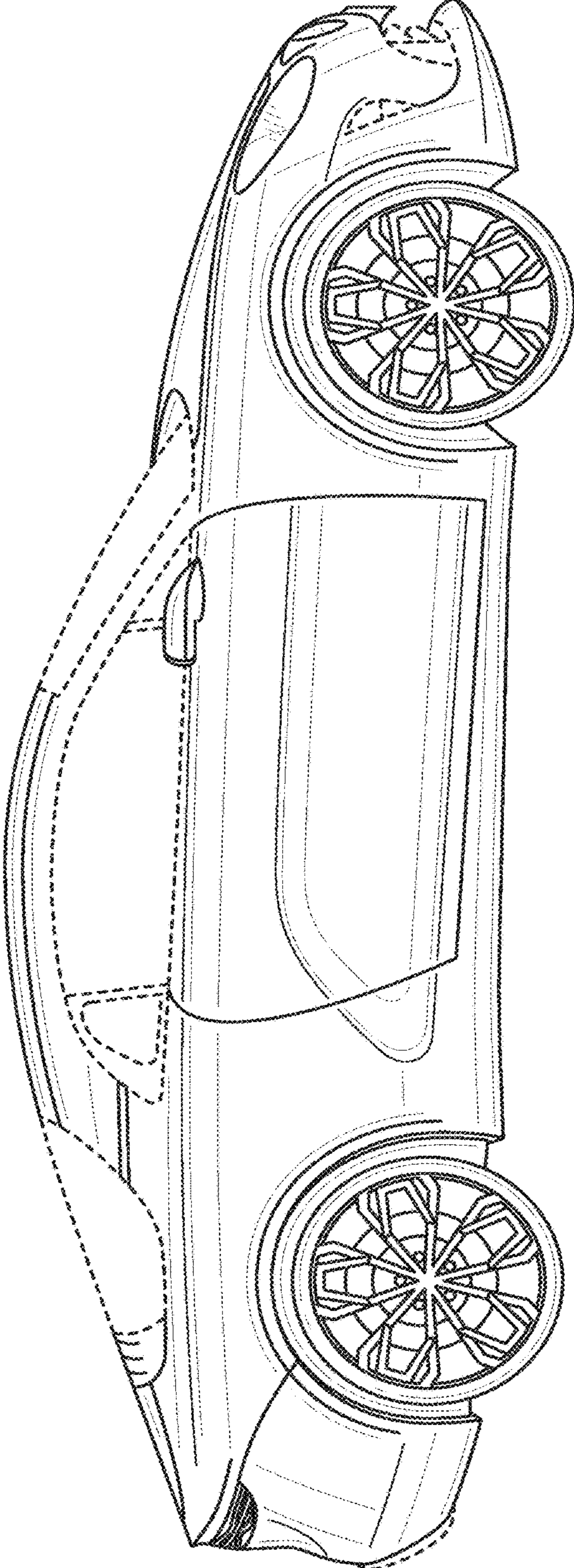


FIG. 3

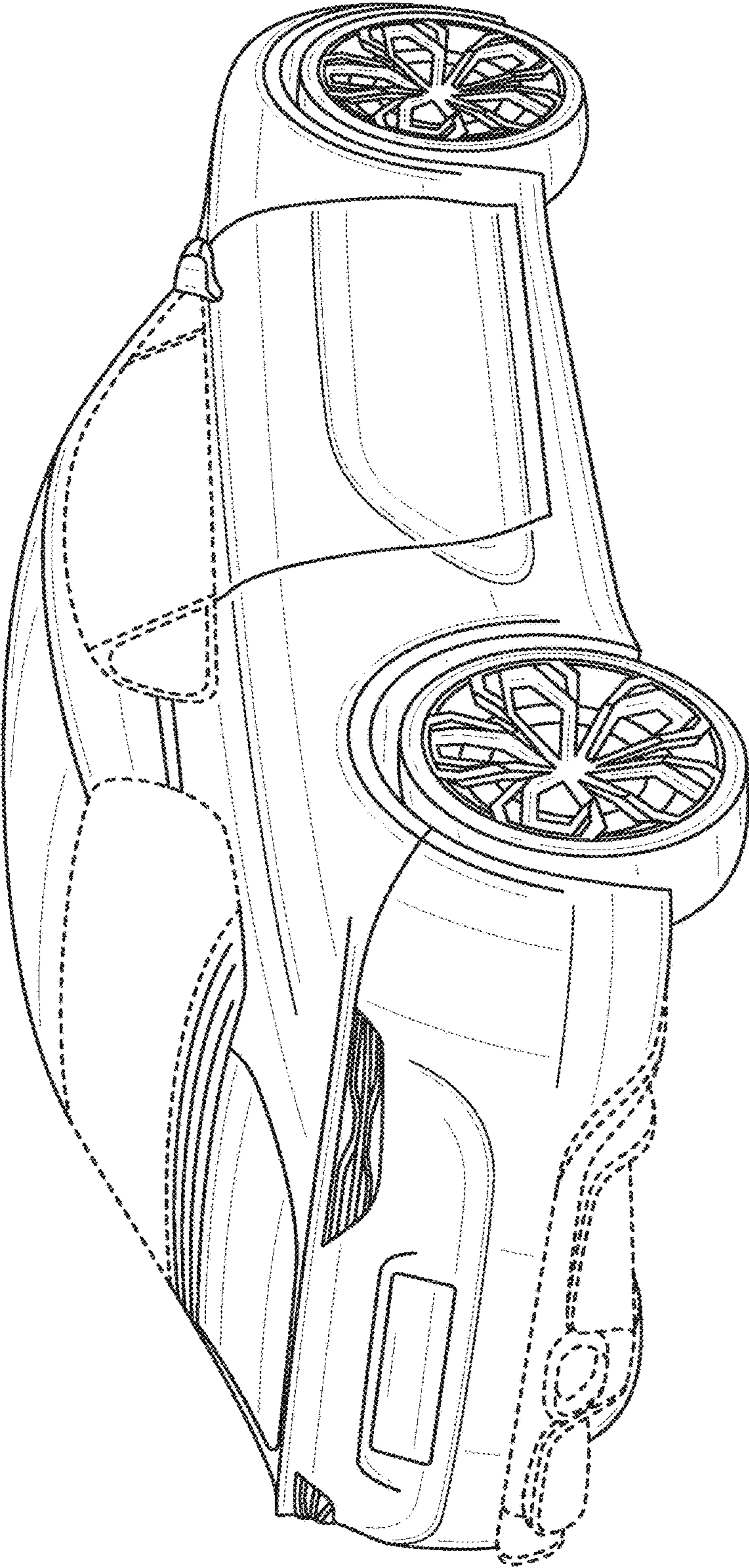


FIG. 4

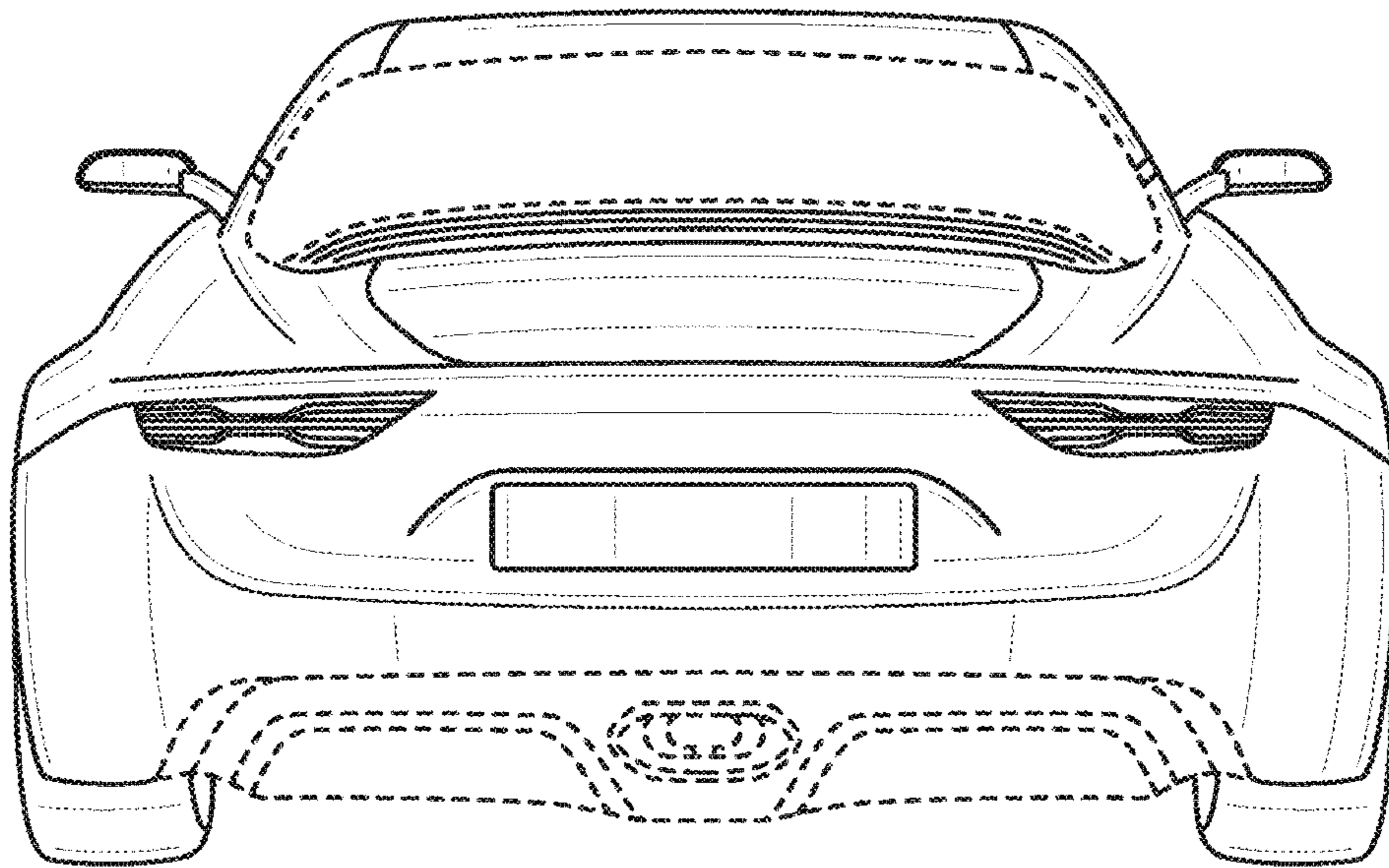


FIG. 5

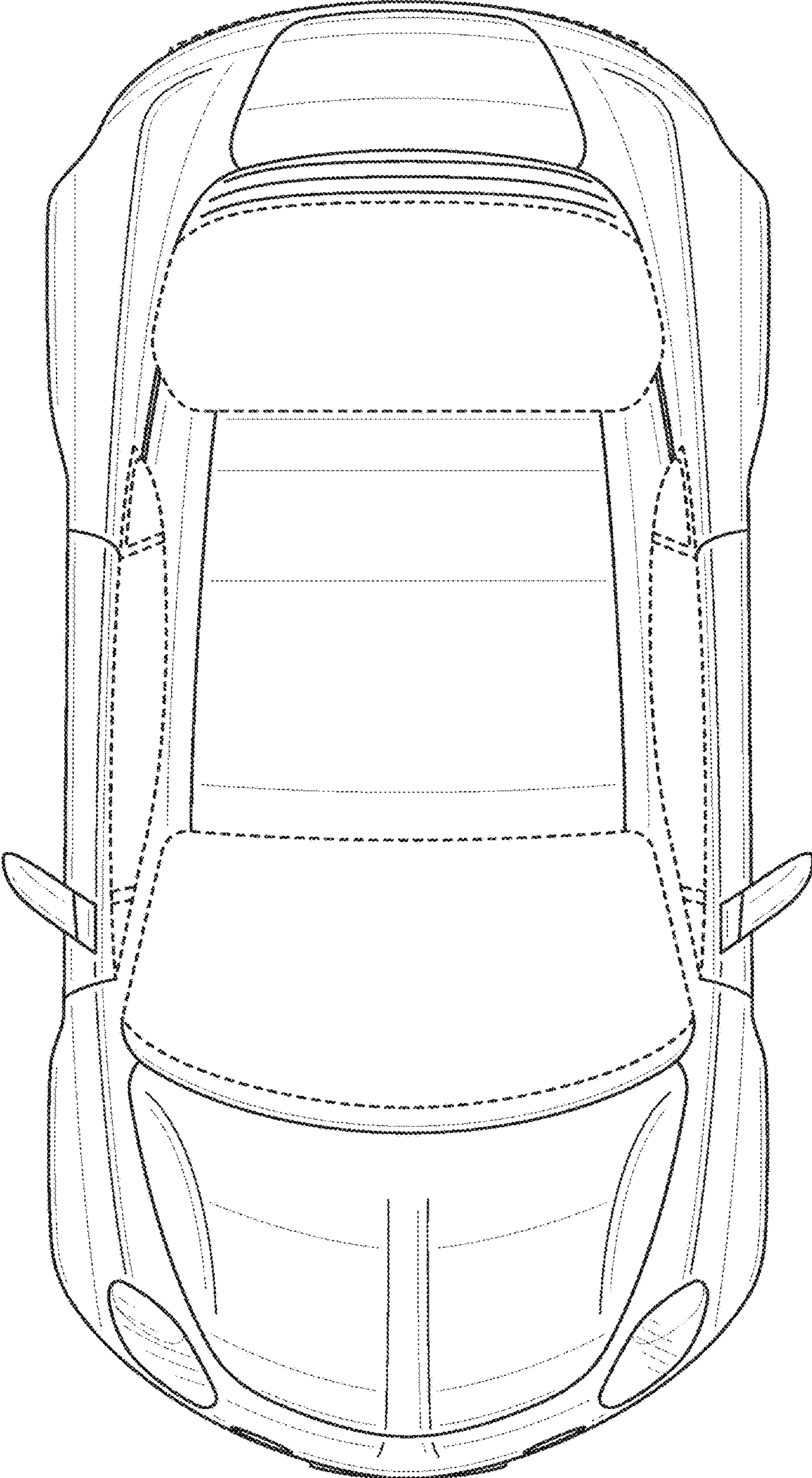


FIG. 6