



US00D811268S

(12) **United States Design Patent**  
**Marioni**

(10) **Patent No.:** **US D811,268 S**

(45) **Date of Patent:** **\*\* Feb. 27, 2018**

(54) **ELECTRIC CAR**

(71) Applicant: **ASKOLL EVA S.R.L. A SOCIO UNICO**, Dueville (Vicenza) (IT)

(72) Inventor: **Elio Marioni**, Dueville (IT)

(73) Assignee: **Askoll Eva S.r.l.—a socio unico**, Dueville (VI) (IT)

(\*\*) Term: **15 Years**

(21) Appl. No.: **29/542,176**

(22) Filed: **Oct. 12, 2015**

(51) **LOC (11) Cl.** ..... **12-08**

(52) **U.S. Cl.**  
USPC ..... **D12/90**

(58) **Field of Classification Search**  
USPC ..... D12/86, 90–92; D21/421, 433, 434;  
296/181.1, 181.5  
CPC ..... B62D 35/00; B62D 25/00; B62D 25/06;  
B62D 33/00  
See application file for complete search history.

(56) **References Cited**

**U.S. PATENT DOCUMENTS**

D350,503 S \* 9/1994 Yang ..... D12/90  
D411,814 S \* 7/1999 Chibuka ..... D12/90

D526,934 S \* 8/2006 Fujiwara ..... D12/90  
D528,469 S \* 9/2006 Yakushi ..... D12/90  
D567,146 S \* 4/2008 Wang ..... D12/90  
D619,046 S \* 7/2010 Liu ..... D12/90

\* cited by examiner

*Primary Examiner* — Melody N Brown

(74) *Attorney, Agent, or Firm* — Akerman LLP

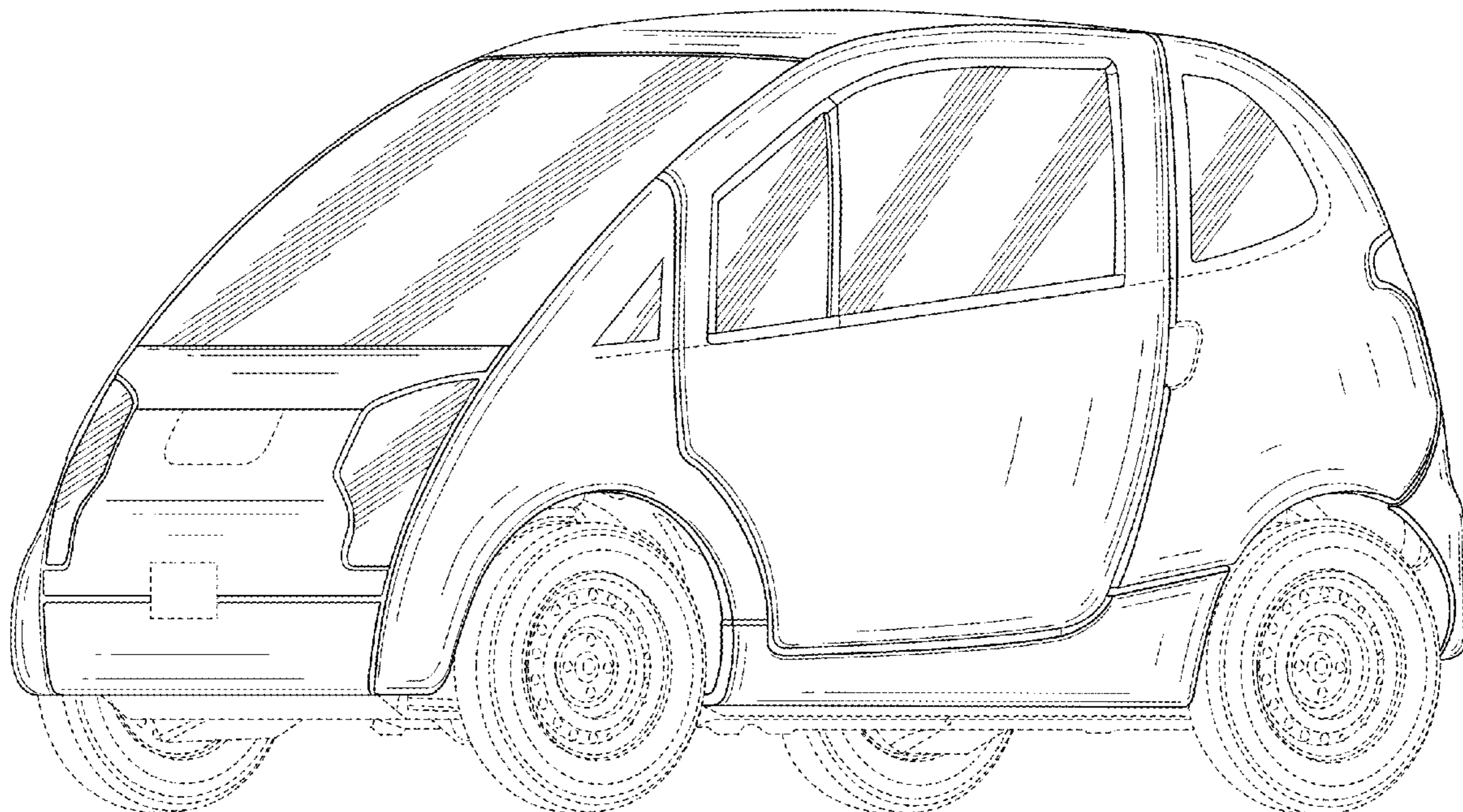
(57) **CLAIM**

I claim the ornamental design for an electric car, as shown and described.

**DESCRIPTION**

FIG. 1 is a front perspective view of an electric car showing my new design;  
FIG. 2 is a rear perspective view thereof;  
FIG. 3 is a front view thereof;  
FIG. 4 is a side view thereof;  
FIG. 5 is a rear view thereof;  
FIG. 6 is an opposite side view thereof; and,  
FIG. 7 is a top view thereof.  
The broken lines shown in the figures illustrate portions of the electric car that form no part of the claimed design.

**1 Claim, 7 Drawing Sheets**



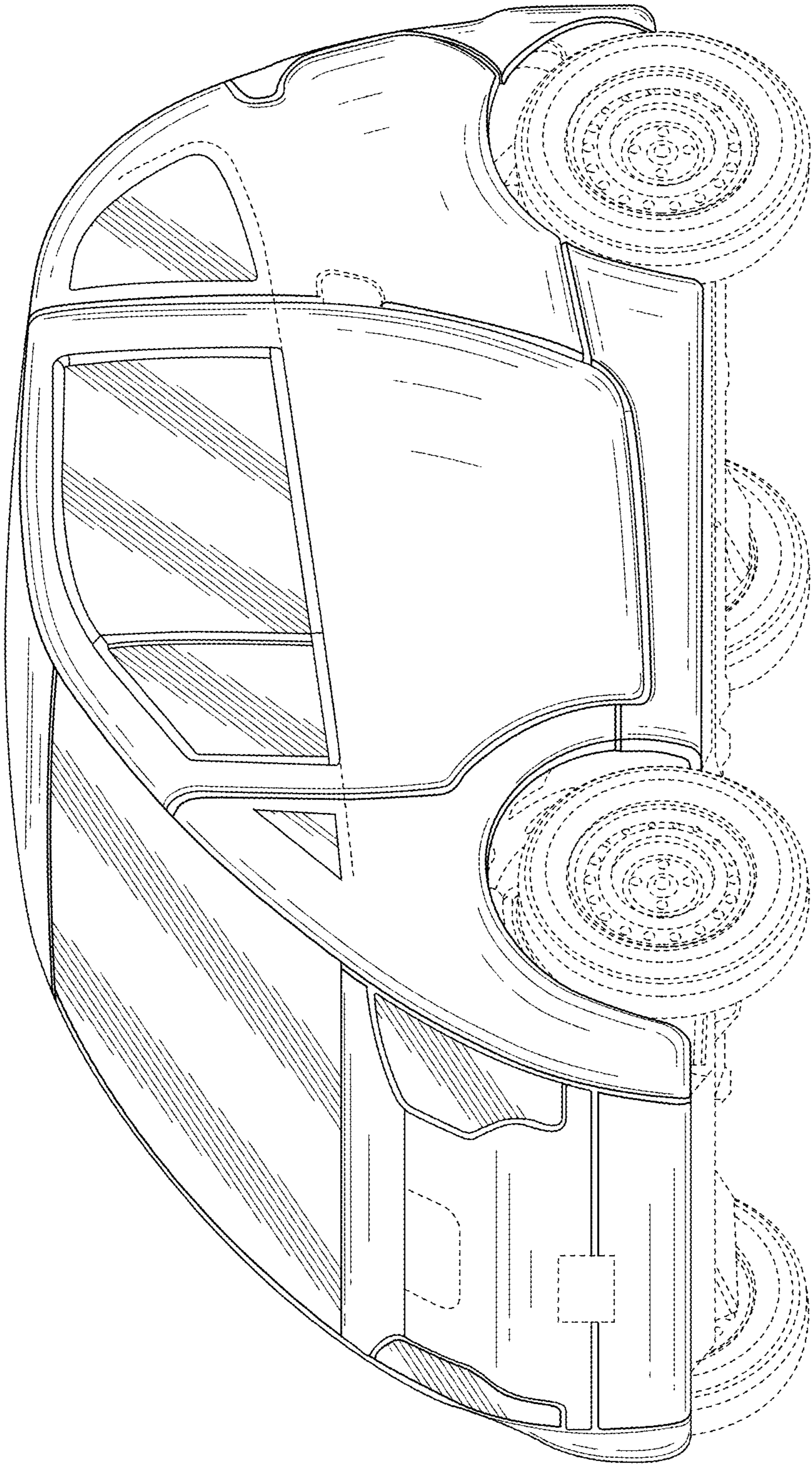


FIG. 1



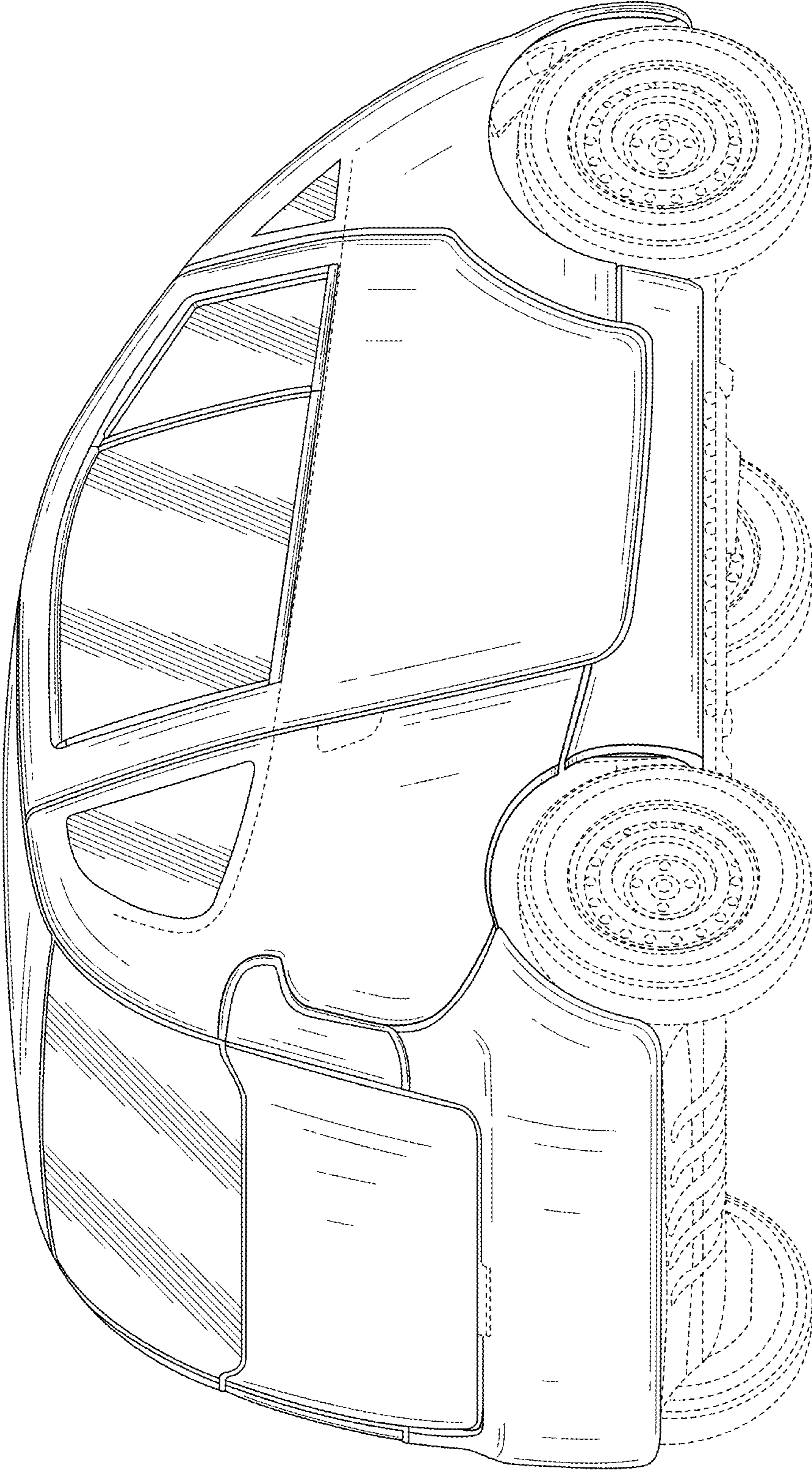


FIG. 2

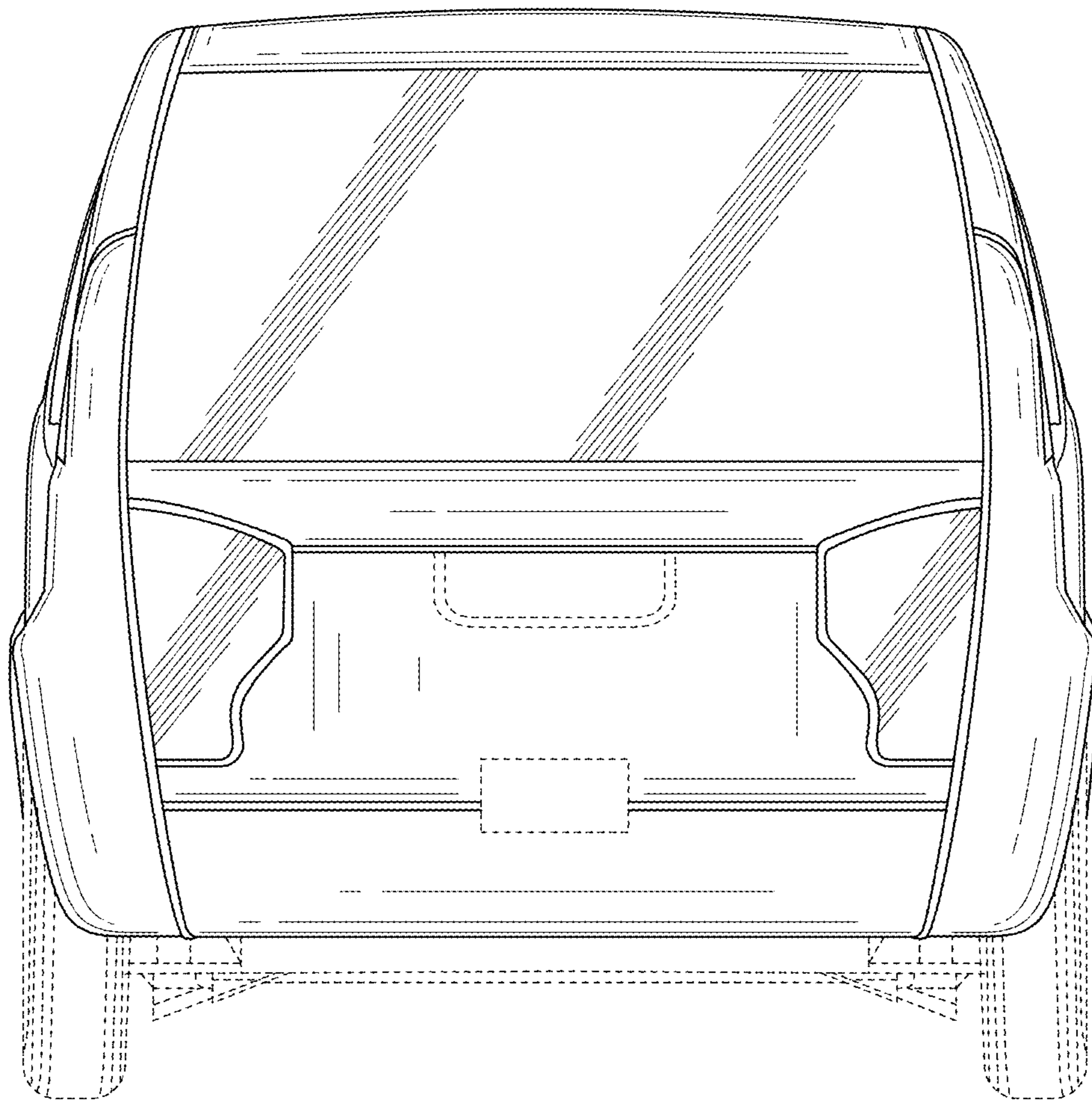


FIG. 3

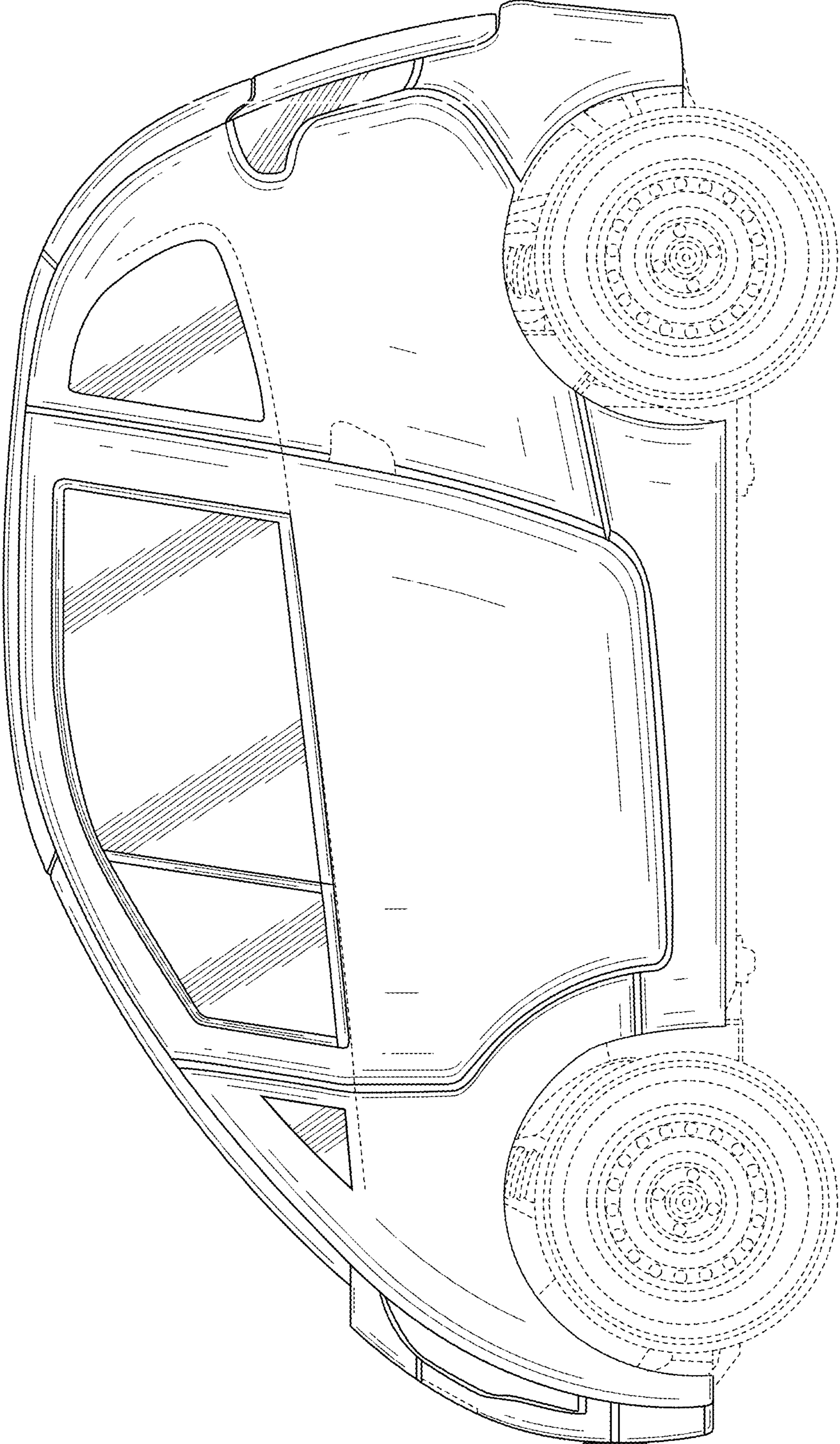


FIG. 4



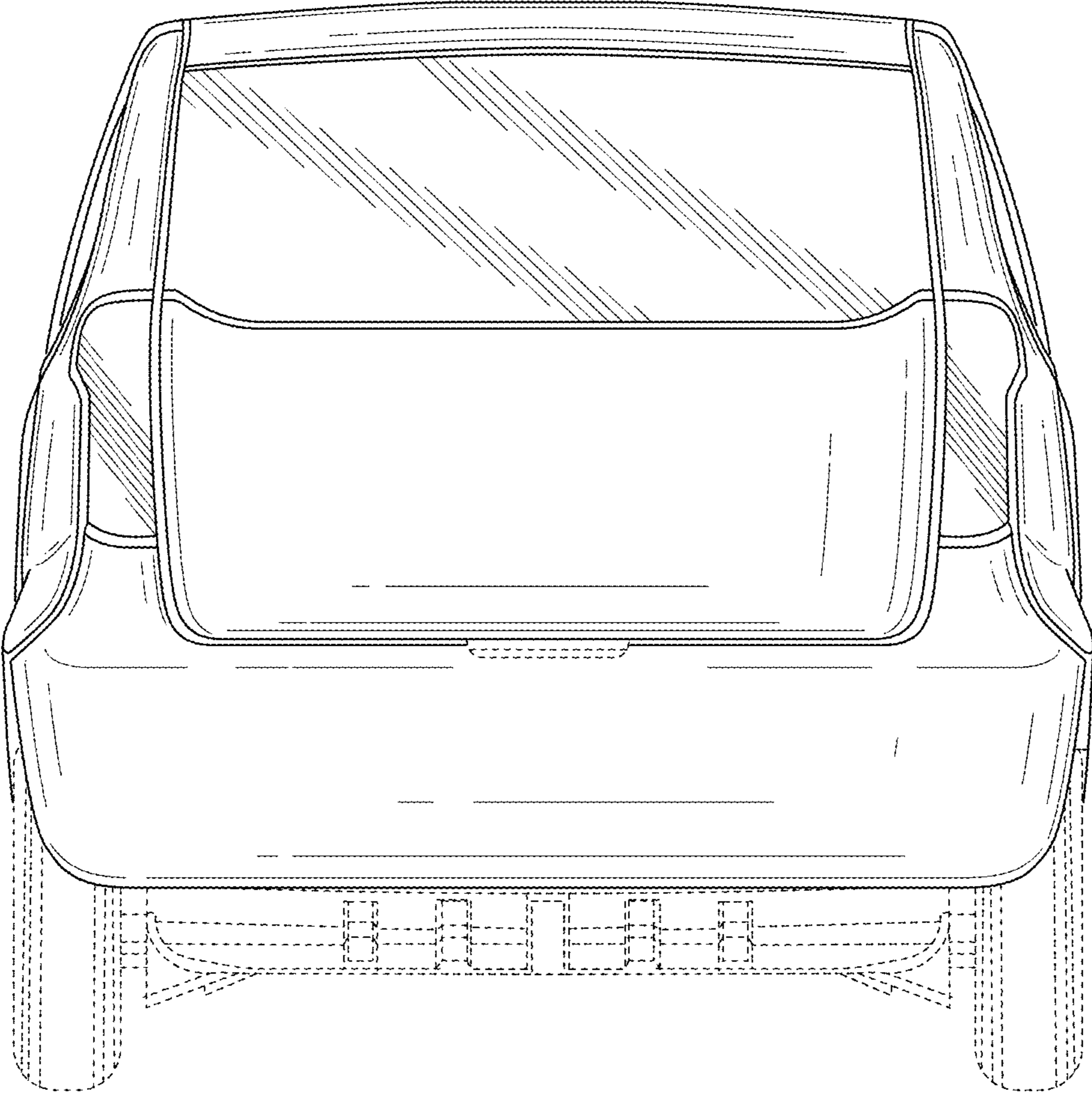


FIG. 5

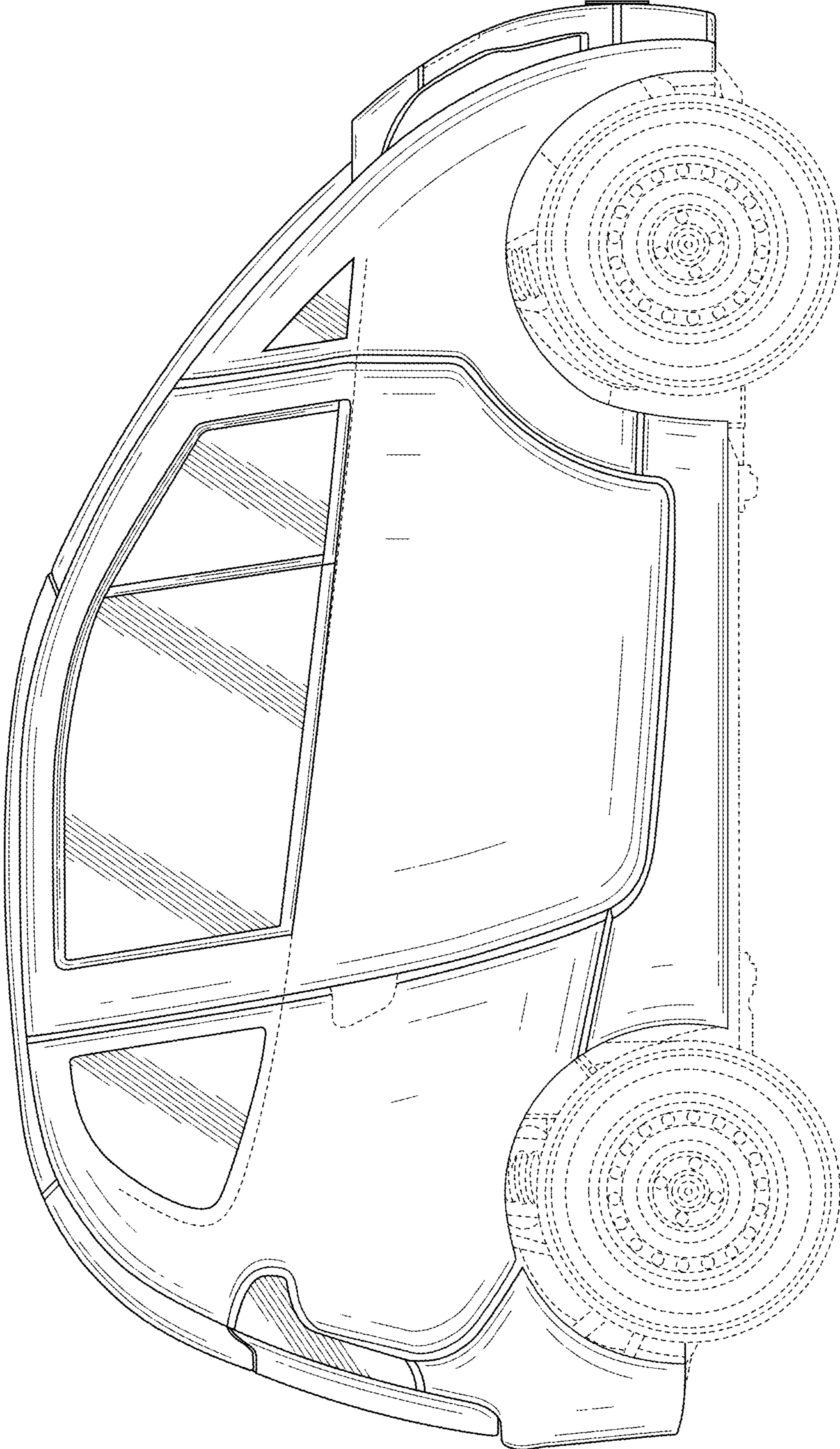


FIG. 6

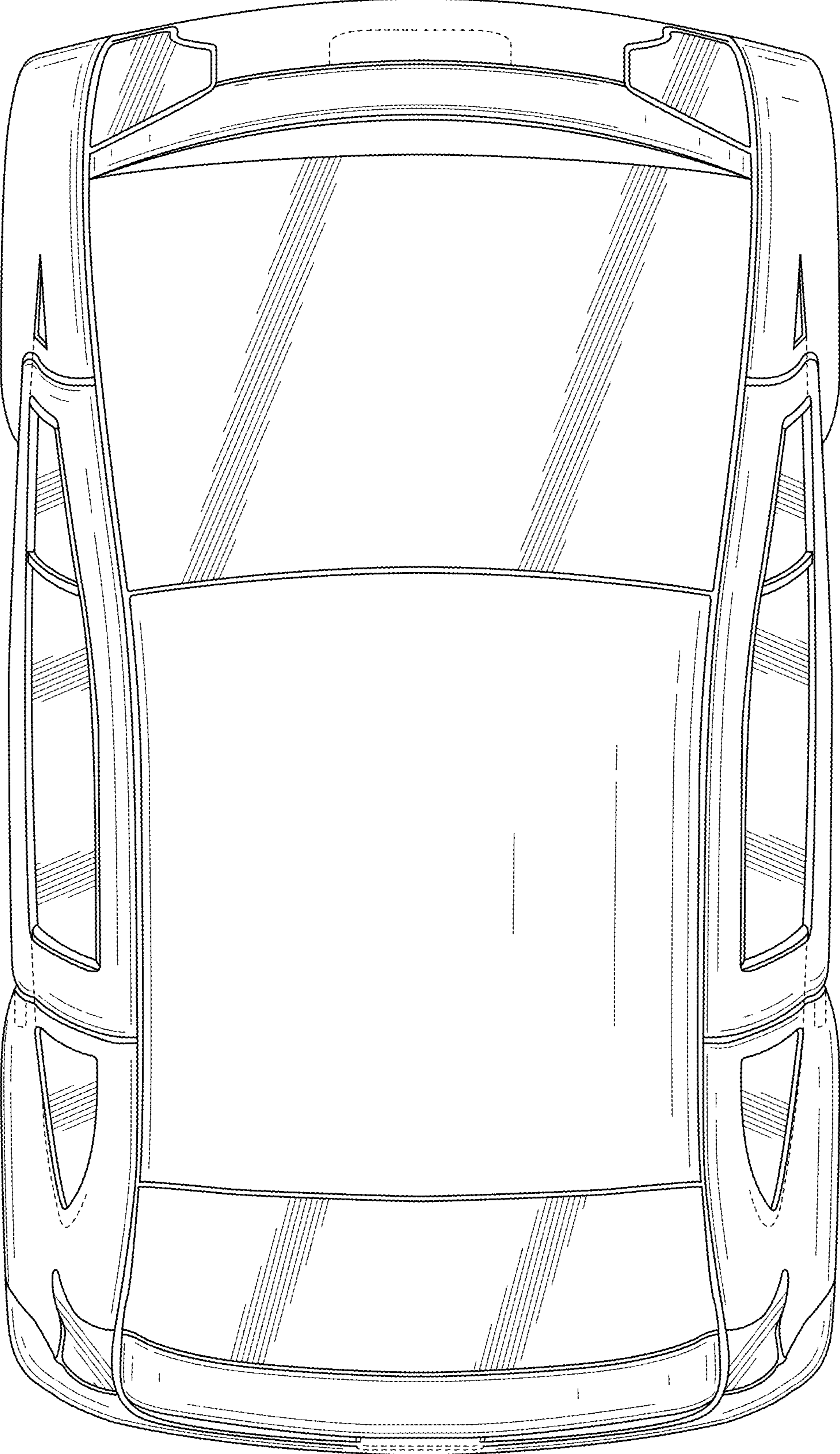


FIG. 7