



US00D811264S

(12) **United States Design Patent** (10) **Patent No.:** **US D811,264 S**  
**Zhang et al.** (45) **Date of Patent:** **\*\* Feb. 27, 2018**

(54) **UNMANNED AERIAL VEHICLE**  
(71) Applicant: **HANGZHOU ZERO ZERO TECHNOLOGY CO., LTD.**, Hangzhou, Zhejiang (CN)  
(72) Inventors: **Guanqun Zhang**, Hangzhou (CN); **Tong Zhang**, Hangzhou (CN); **Mengqiu Wang**, Hangzhou (CN); **Zhaozhe Wang**, Hangzhou (CN); **Lixin Liu**, Hangzhou (CN)  
(73) Assignee: **HANGZHOU ZERO ZERO TECHNOLOGY CO., LTD.** (CN)  
(\*\*) Term: **15 Years**  
(21) Appl. No.: **29/588,999**  
(22) Filed: **Dec. 27, 2016**  
(30) **Foreign Application Priority Data**  
Sep. 12, 2016 (CN) ..... 2016 3 0468185  
Sep. 12, 2016 (CN) ..... 2016 3 0468452  
(51) **LOC (11) Cl.** ..... **12-01**  
(52) **U.S. Cl.**  
USPC ..... **D12/16.1**  
(58) **Field of Classification Search**  
USPC ..... D12/16.1, 319–345; D21/436, 441, 442, D21/443, 446, 447, 448, 449, 450, 451, D21/452, 453, 454; D14/250–252  
(Continued)  
(56) **References Cited**  
U.S. PATENT DOCUMENTS  
D189,462 S \* 12/1960 Vogt ..... D12/329  
D193,369 S \* 8/1962 Walker ..... D12/330  
(Continued)

*Primary Examiner* — Robert M. Spear  
*Assistant Examiner* — Marissa J Cash

(74) *Attorney, Agent, or Firm* — Saidman DesignLaw Group, LLC

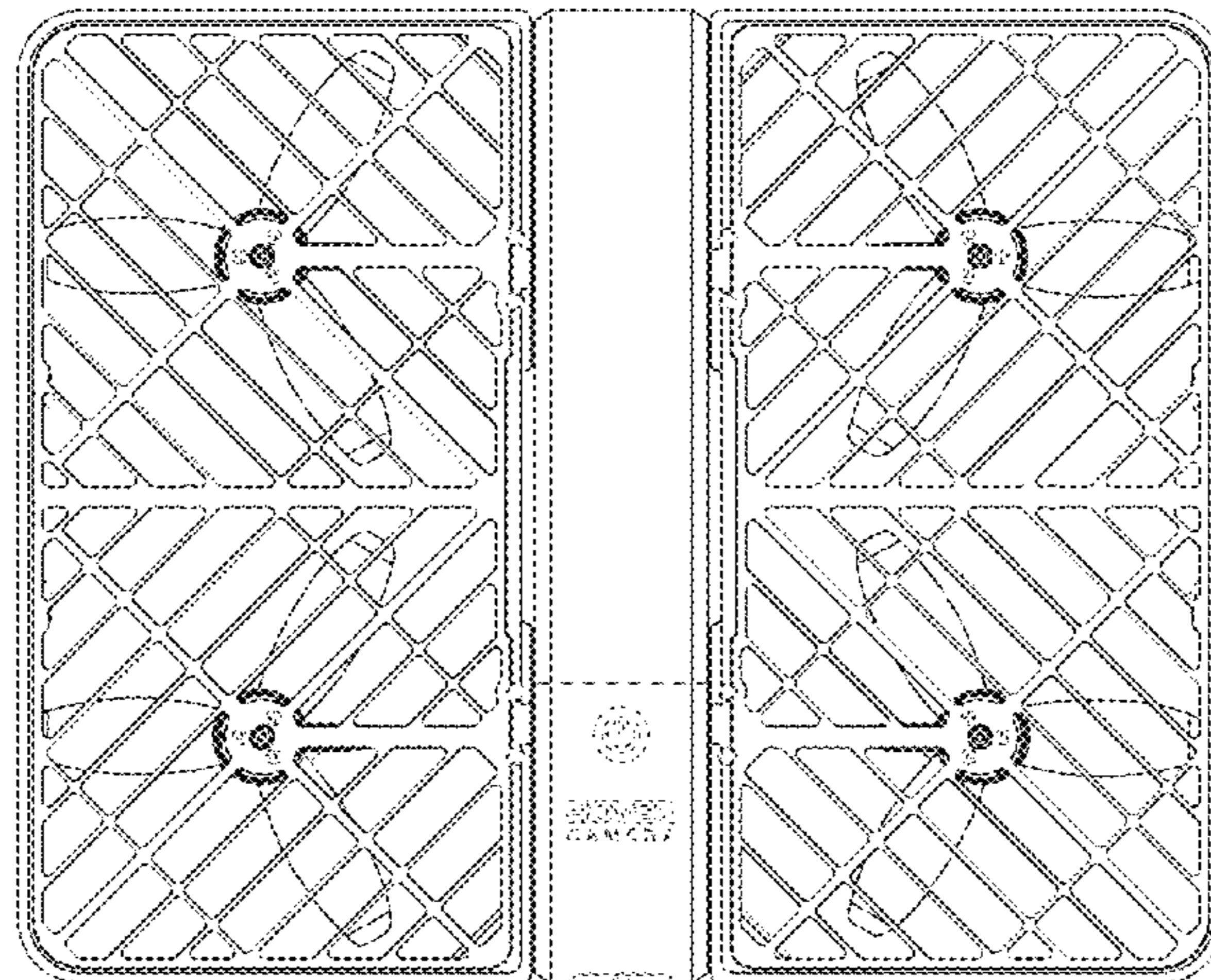
(57) **CLAIM**

The ornamental design for an unmanned aerial vehicle, as shown and described.

**DESCRIPTION**

FIG. 1 is a front view of a first embodiment of an unmanned aerial vehicle showing our new design; FIG. 2 is a rear view thereof; FIG. 3 is a left side view thereof; FIG. 4 is a right side view thereof; FIG. 5 is a top view thereof; FIG. 6 is a bottom view thereof; FIG. 7 is a right side view thereof in a second position; FIG. 8 is a left side view thereof; FIG. 9 is a rear view thereof; FIG. 10 is a front view thereof; FIG. 11 is a top view thereof; FIG. 12 is a bottom view thereof; FIG. 13 is a bottom view thereof in a third position; FIG. 14 is a top view thereof; FIG. 15 is a front view of a second embodiment thereof; FIG. 16 is a rear view thereof; FIG. 17 is a left side view thereof; FIG. 18 is a right side view thereof; FIG. 19 is a top view thereof; FIG. 20 is a bottom view thereof; FIG. 21 is a right side view thereof in a second position; FIG. 22 is a left side view thereof; FIG. 23 is a rear view thereof; FIG. 24 is a front view thereof; FIG. 25 is a top view thereof; FIG. 26 is a bottom view thereof; FIG. 27 is a bottom view thereof in a third position; and, FIG. 28 is a top view thereof.  
The broken lines illustrate environmental structure or features which form no part of the claimed design.

**1 Claim, 20 Drawing Sheets**



- (58) **Field of Classification Search**  
 CPC ... B64C 27/20; B64C 27/08; B64C 2201/104;  
           B64C 2201/021; B64C 2201/128; B64C  
           2201/024; B64C 2201/141; B64C  
           2201/108; B64C 39/024  
 See application file for complete search history.

(56) **References Cited**

U.S. PATENT DOCUMENTS

D196,213	S	*	9/1963	Paxhla	.....	D12/330
D373,771	S	*	9/1996	Messelhi	.....	D13/184
D397,200	S	*	8/1998	Wang	.....	D23/353
D408,907	S	*	4/1999	Moreno	.....	D23/381
D424,684	S	*	5/2000	Swyst	.....	D23/351
D425,194	S	*	5/2000	Swyst	.....	D23/351
D425,979	S	*	5/2000	Lozzio	.....	D23/370
D438,299	S	*	2/2001	Gonzales	.....	D23/380
D454,191	S	*	3/2002	Swyst	.....	D23/411
D455,746	S	*	4/2002	Ronzani	.....	D14/344
D516,807	S	*	3/2006	Richardson	.....	D3/273
D606,986	S	*	12/2009	de Jong	.....	D14/250
D634,313	S	*	3/2011	Fitzpatrick	.....	D14/250
D671,932	S	*	12/2012	Azoulay	.....	D14/250
D674,801	S	*	1/2013	Wharram	.....	D13/102
D685,785	S	*	7/2013	Seoc	.....	D14/353
D708,272	S	*	7/2014	Schmelter	.....	D12/16.1
D729,219	S	*	5/2015	Yung	.....	D14/250
D745,505	S	*	12/2015	Barfoot	.....	D14/250
D747,775	S	*	1/2016	Colin	.....	D12/16.1
D754,115	S	*	4/2016	Lin	.....	D14/250
D755,764	S	*	5/2016	Dong	.....	D14/250

D756,342	S	*	5/2016	Lee	.....	D14/250
D764,451	S	*	8/2016	Hung	.....	D14/250
D765,642	S	*	9/2016	Bulkley	.....	D14/250
D771,027	S	*	11/2016	Prstojevich	.....	D14/250
D771,611	S	*	11/2016	Chang	.....	D14/250
D772,756	S	*	11/2016	Gambus	.....	D12/16.1
D774,496	S	*	12/2016	Kim	.....	D14/250
D776,102	S	*	1/2017	Kim	.....	D14/250
D777,159	S	*	1/2017	Lee	.....	D14/250
D778,271	S	*	2/2017	Stump	.....	D14/250
D784,316	S	*	4/2017	Lim	.....	D14/250
D789,347	S	*	6/2017	Zamudio	.....	D14/250
2012/0241555	A1	*	9/2012	Savoie	.....	A63H 27/12 244/54
2013/0292269	A1	*	11/2013	Tages	.....	A45C 11/00 206/37
2015/0057844	A1	*	2/2015	Callou	.....	G05D 1/0204 701/3
2015/0144669	A1	*	5/2015	Chang	.....	A45C 11/00 224/230
2015/0195938	A1	*	7/2015	Witter	.....	H05K 5/03 206/521
2016/0286128	A1	*	9/2016	Zhou	.....	H04N 5/23248
2016/0340021	A1	*	11/2016	Zhang	.....	B64C 27/08
2016/0376004	A1	*	12/2016	Claridge	.....	B64C 19/00 701/3
2017/0057630	A1	*	3/2017	Schwaiger	.....	B64C 3/385
2017/0073065	A1	*	3/2017	Von Novak	.....	B64C 27/08
2017/0081014	A1	*	3/2017	Stock	.....	B64C 1/22
2017/0085840	A1	*	3/2017	Mizushina	.....	G06F 3/044
2017/0113816	A1	*	4/2017	High	.....	B64F 3/00

\* cited by examiner



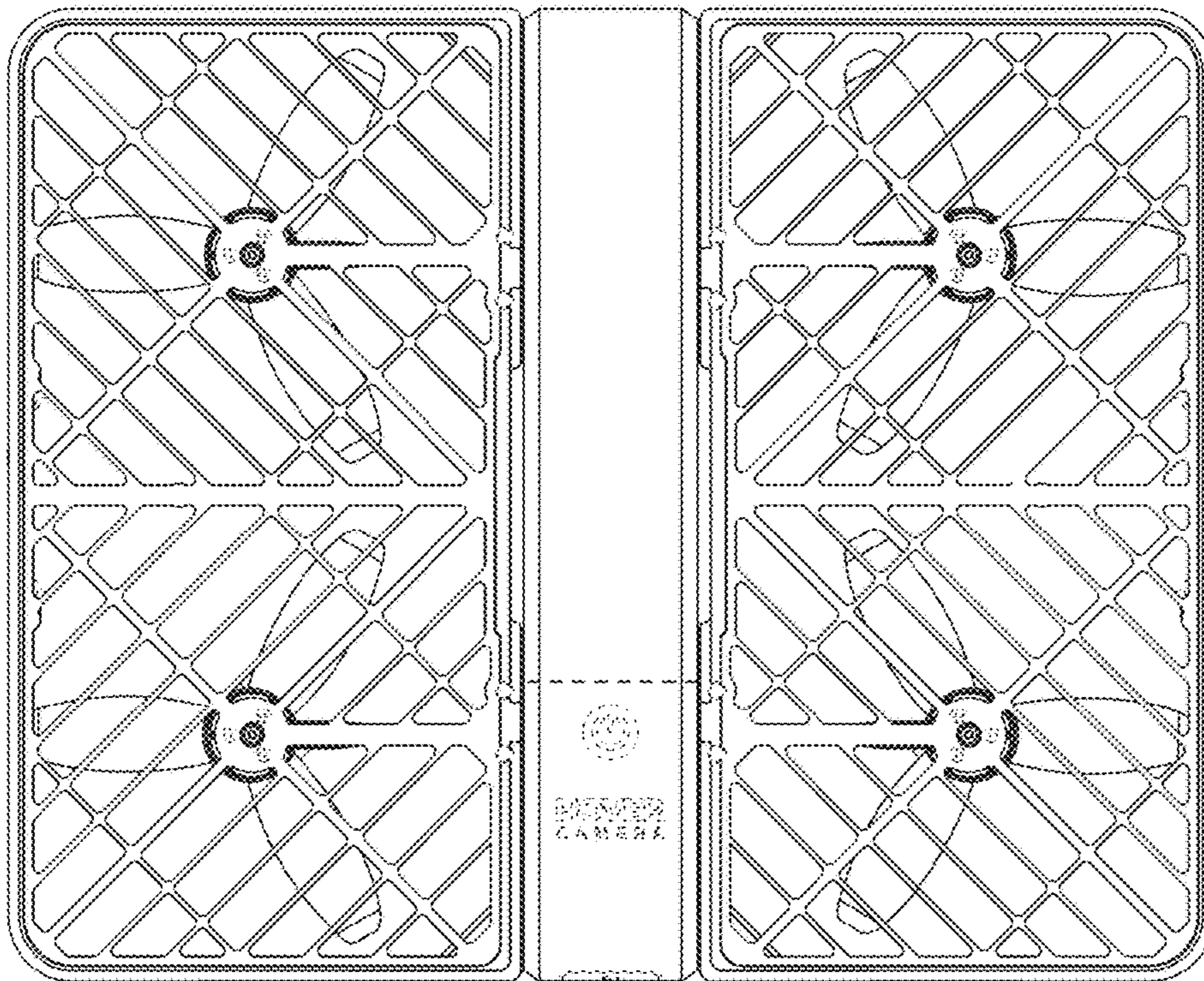


FIG. 1

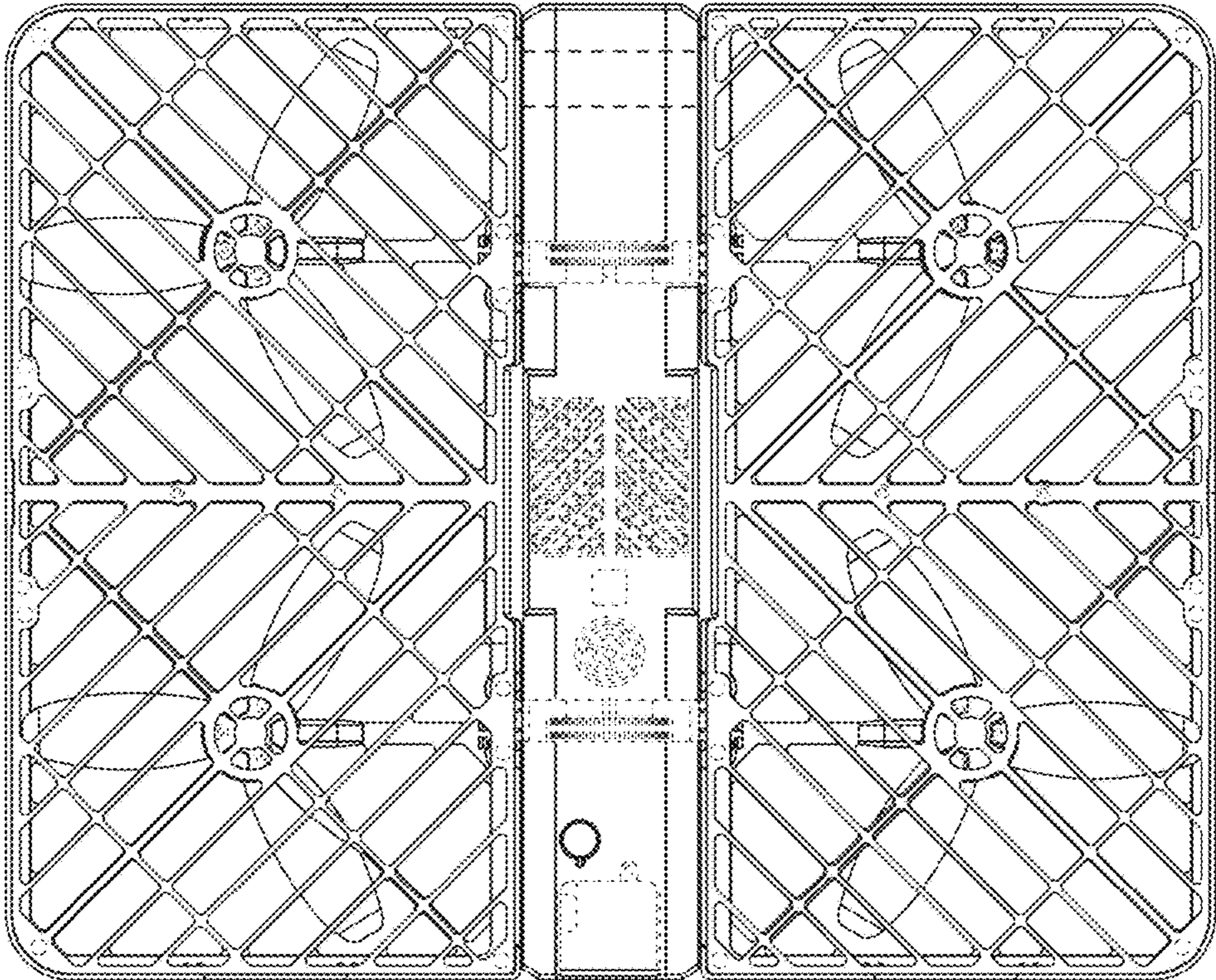


FIG. 2



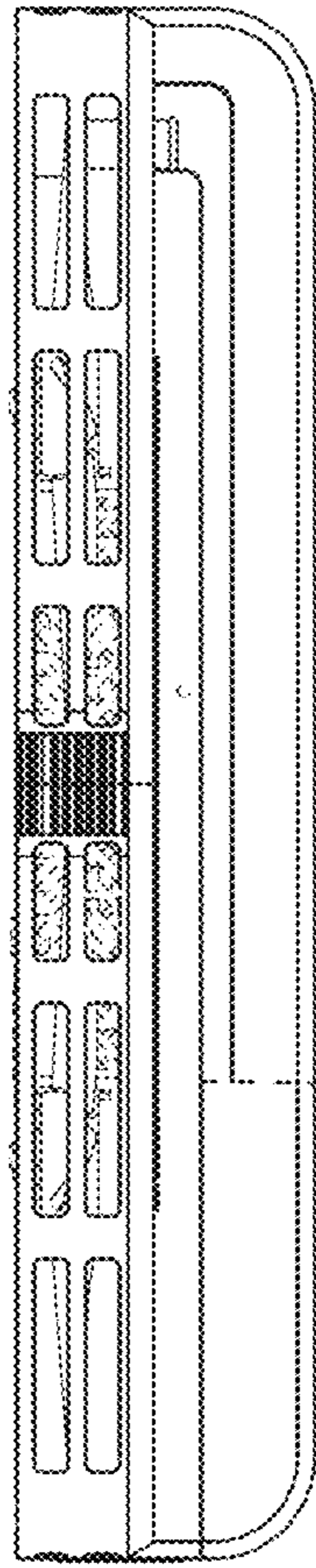


FIG. 3

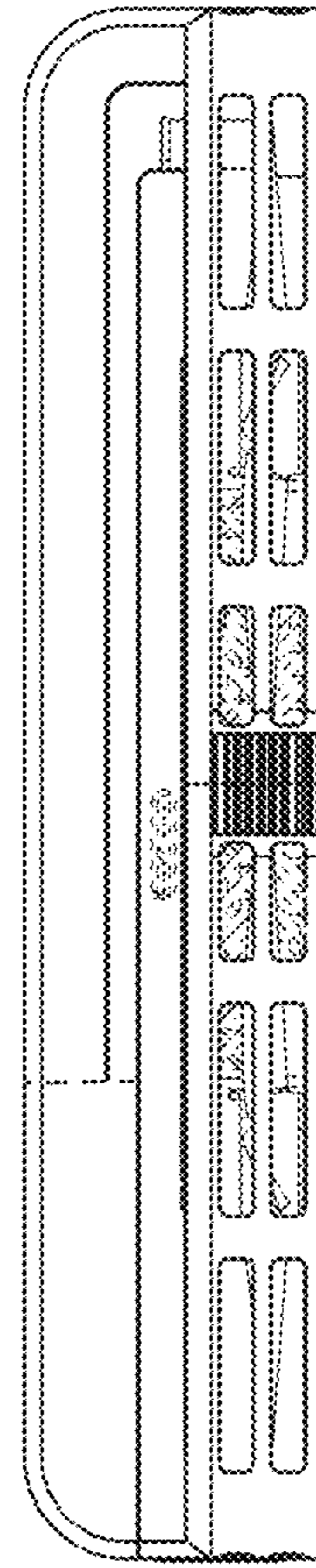


FIG. 4

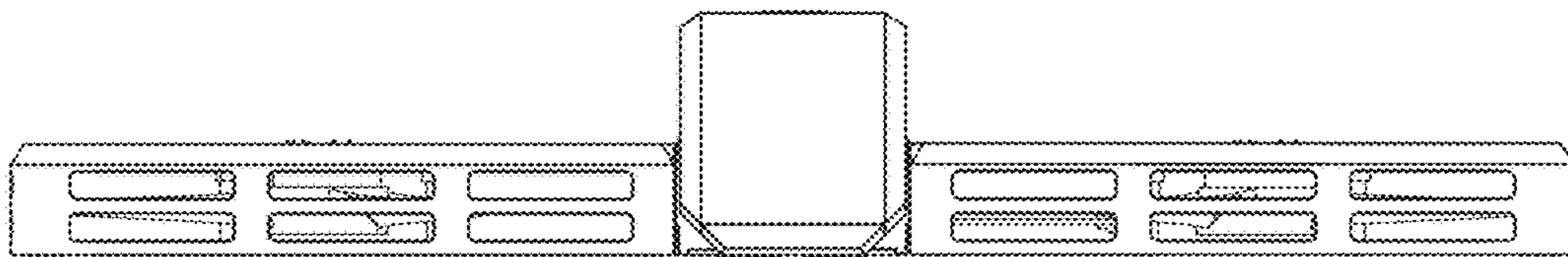


FIG. 5

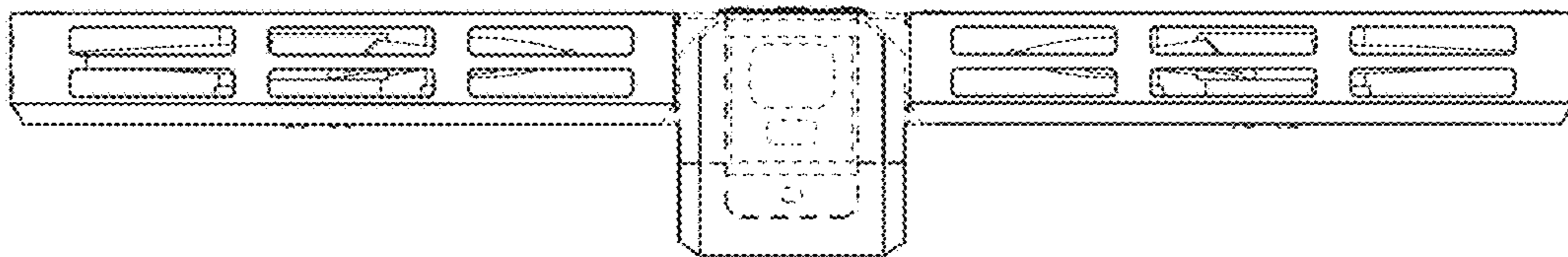


FIG. 6

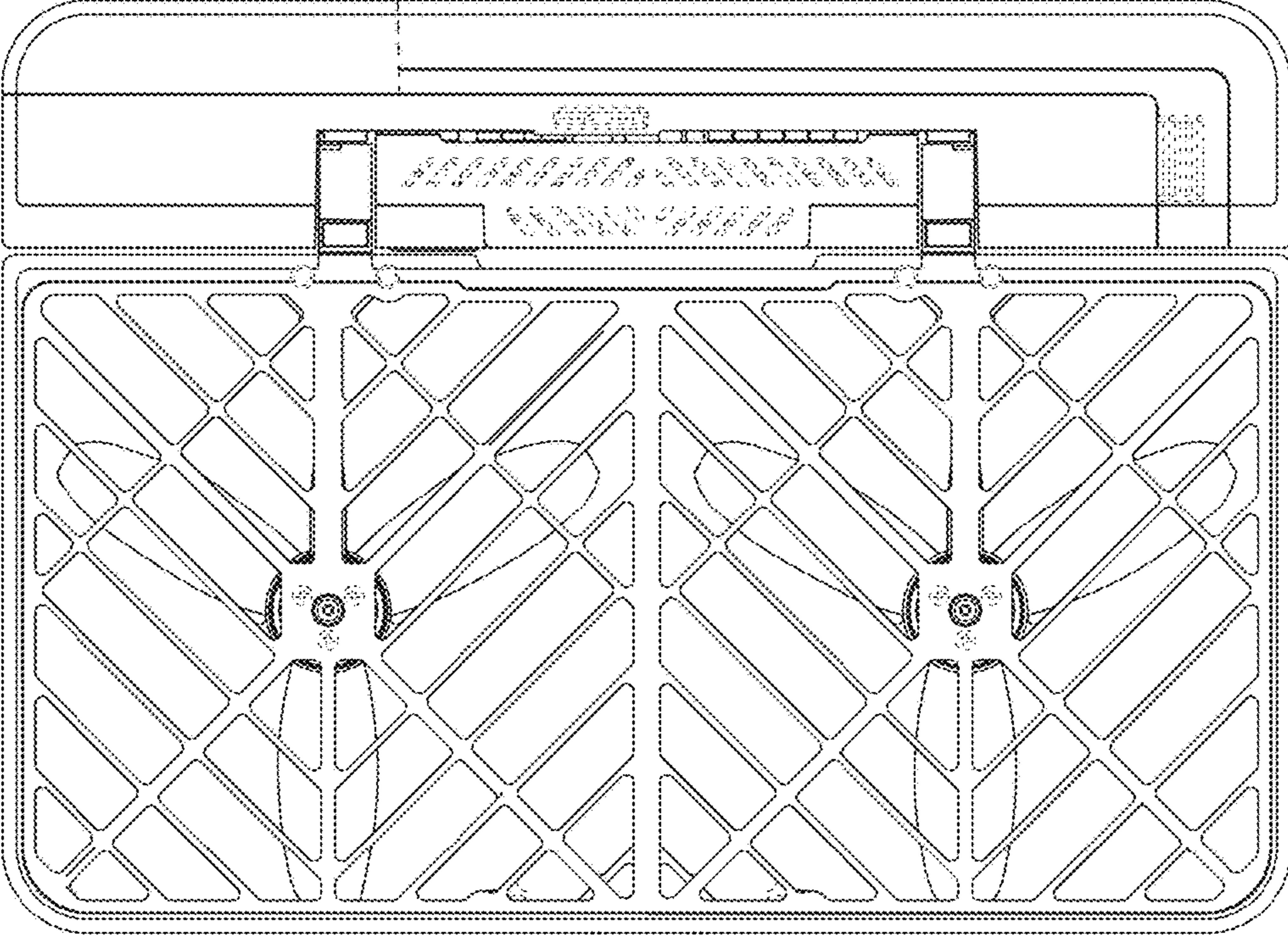


FIG. 7



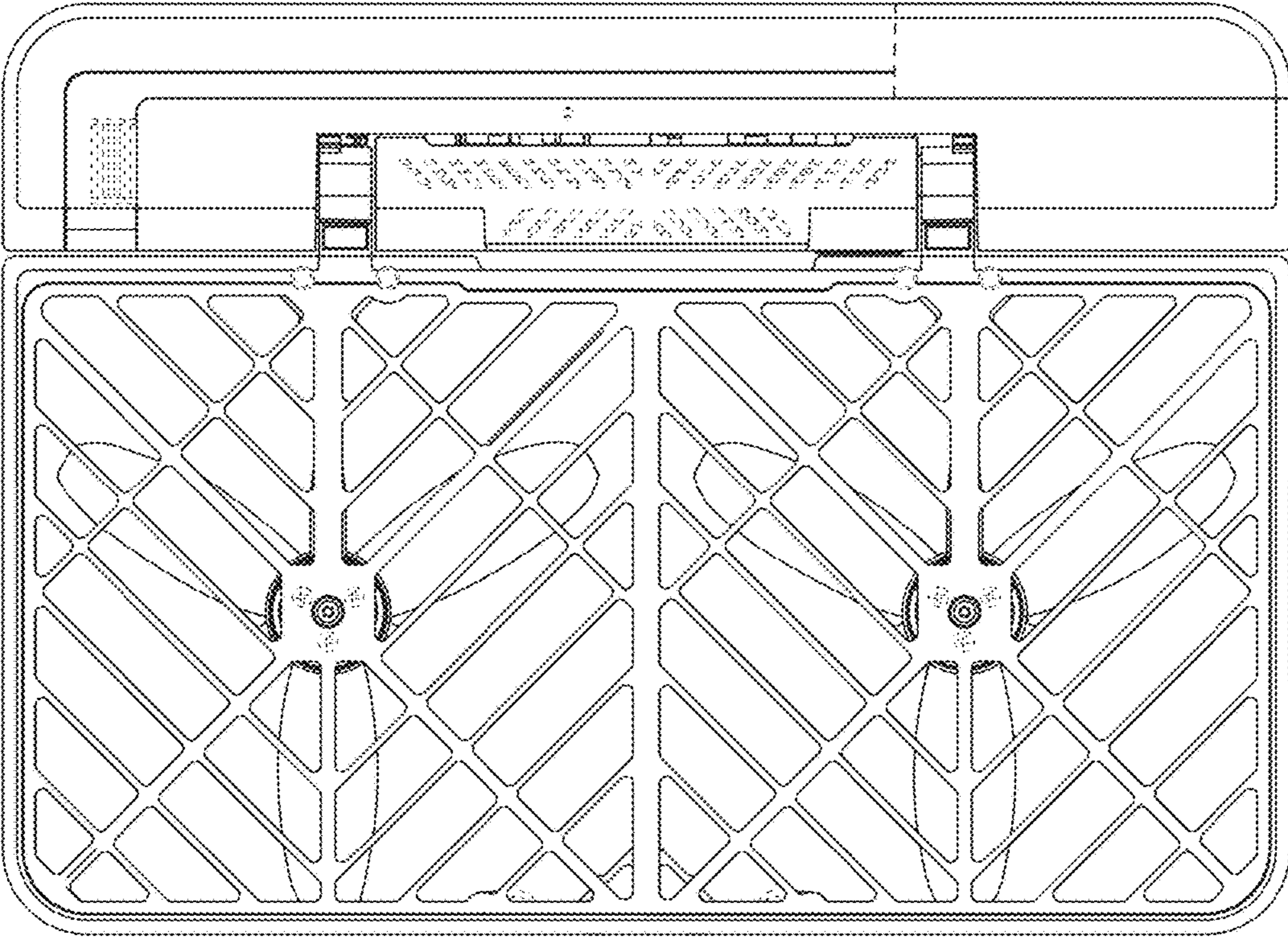


FIG. 8



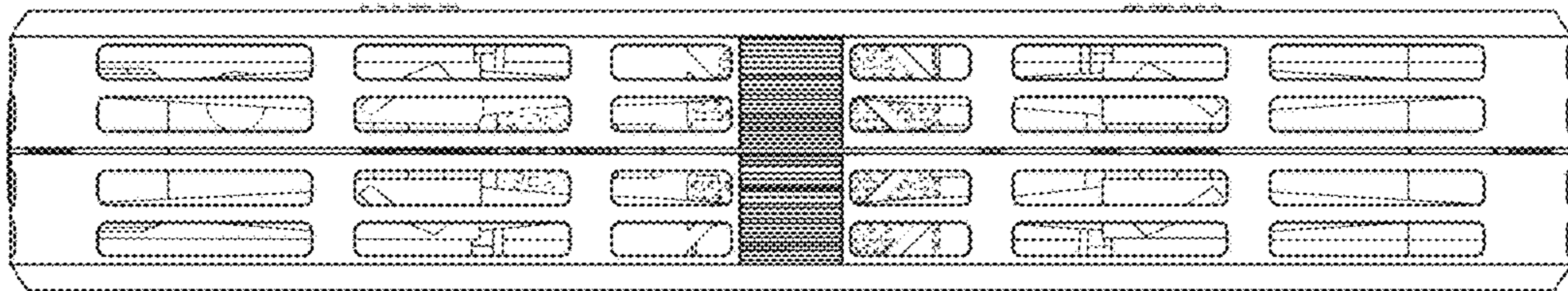


FIG. 9

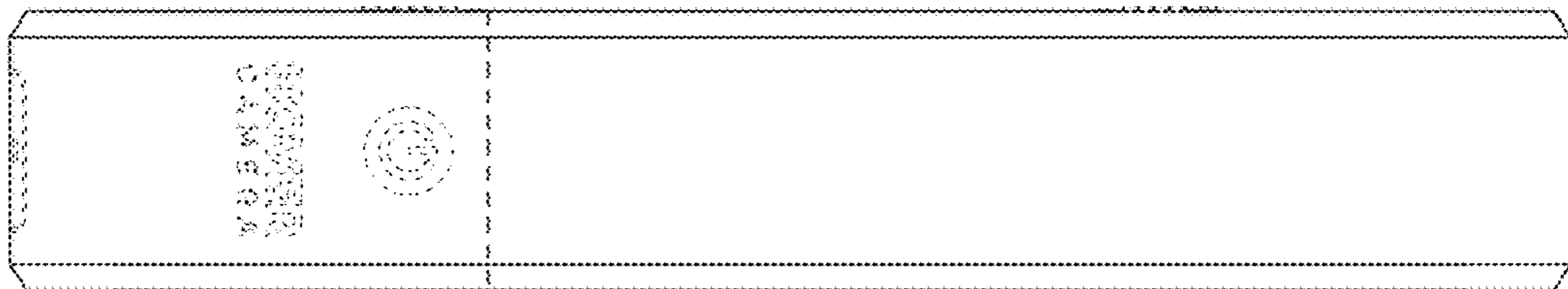


FIG. 10

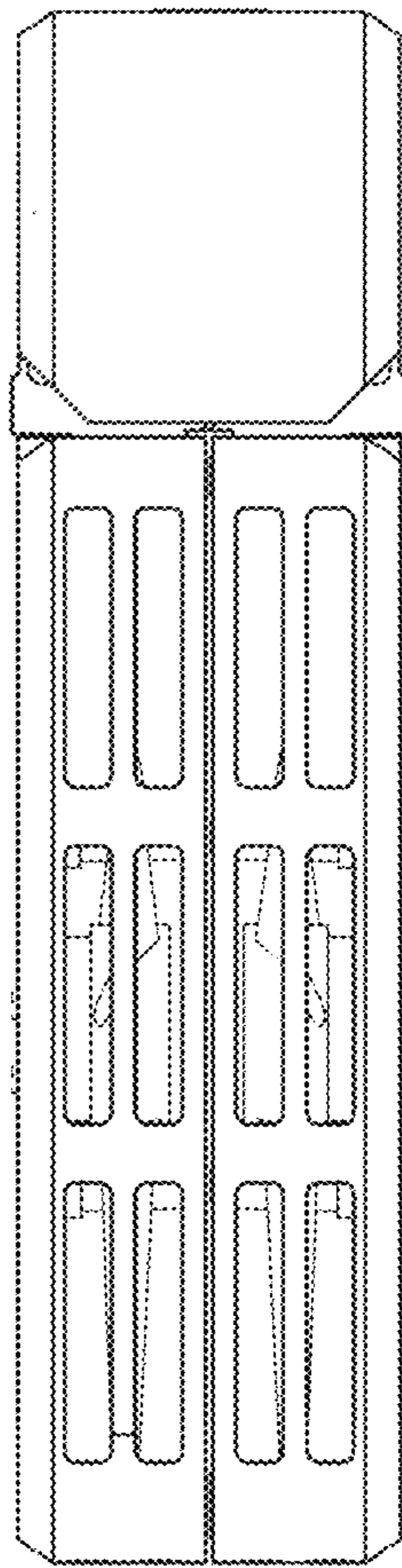


FIG. 11

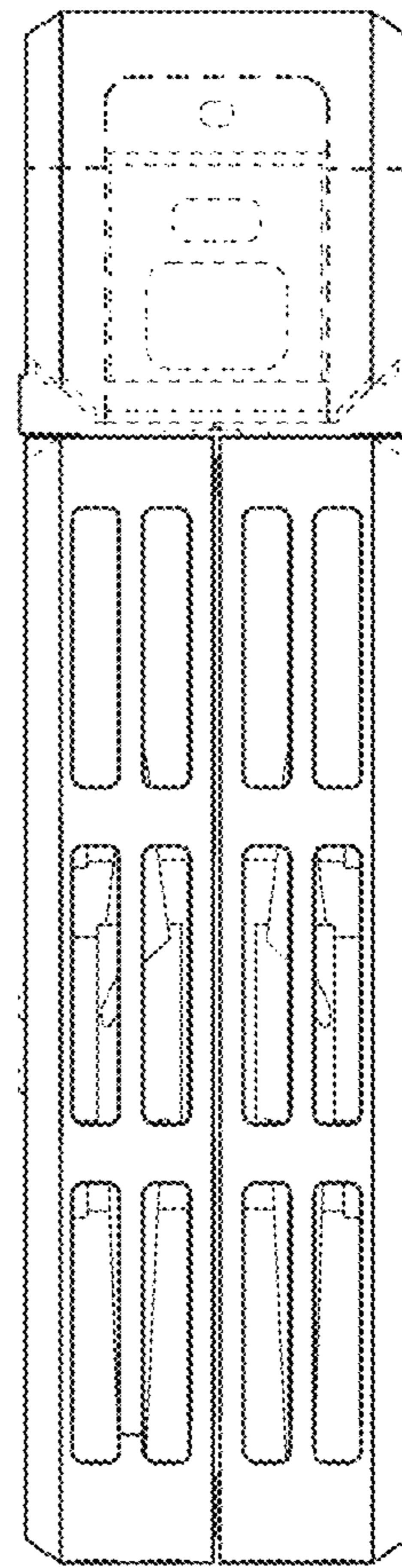


FIG. 12



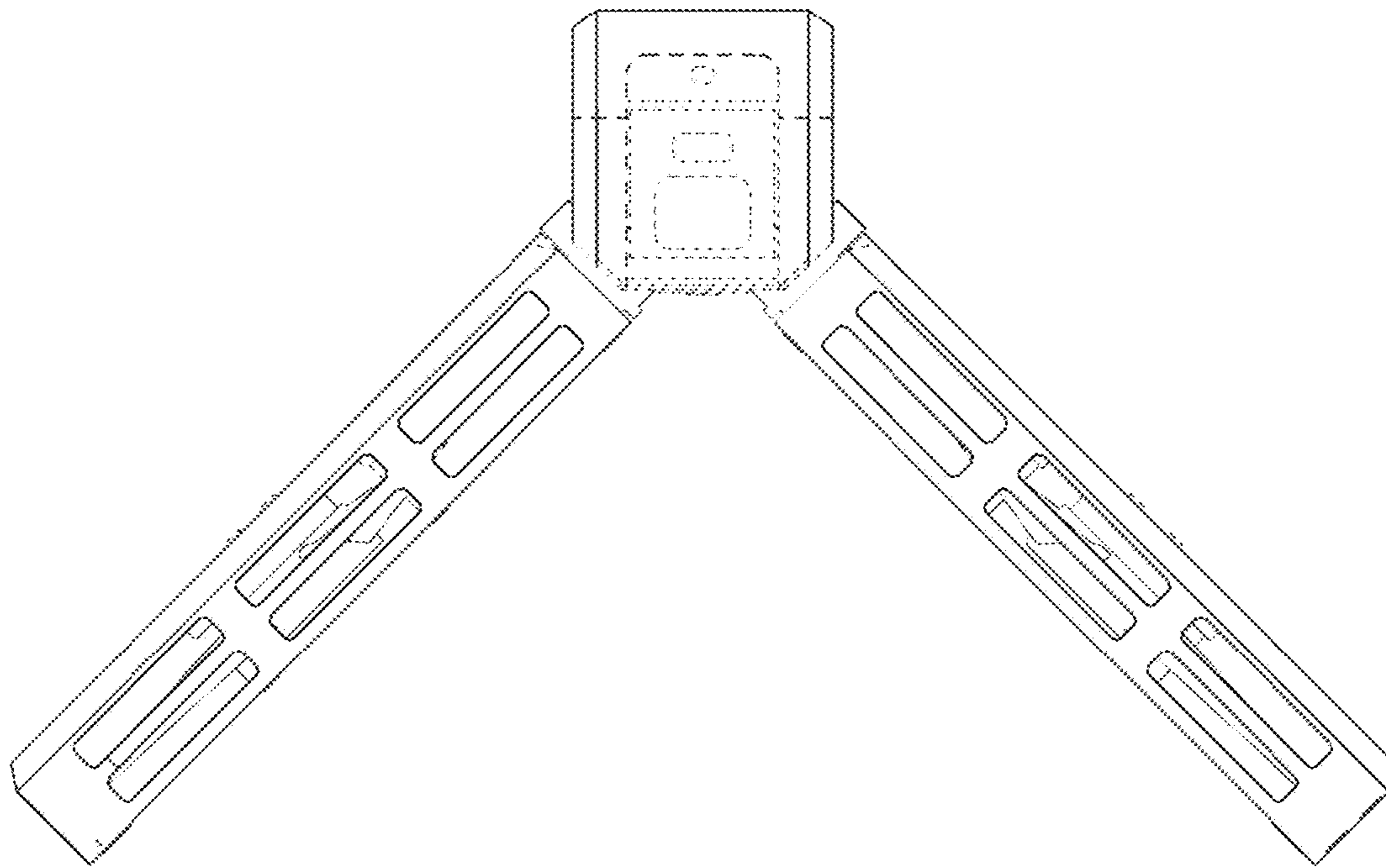


FIG. 13

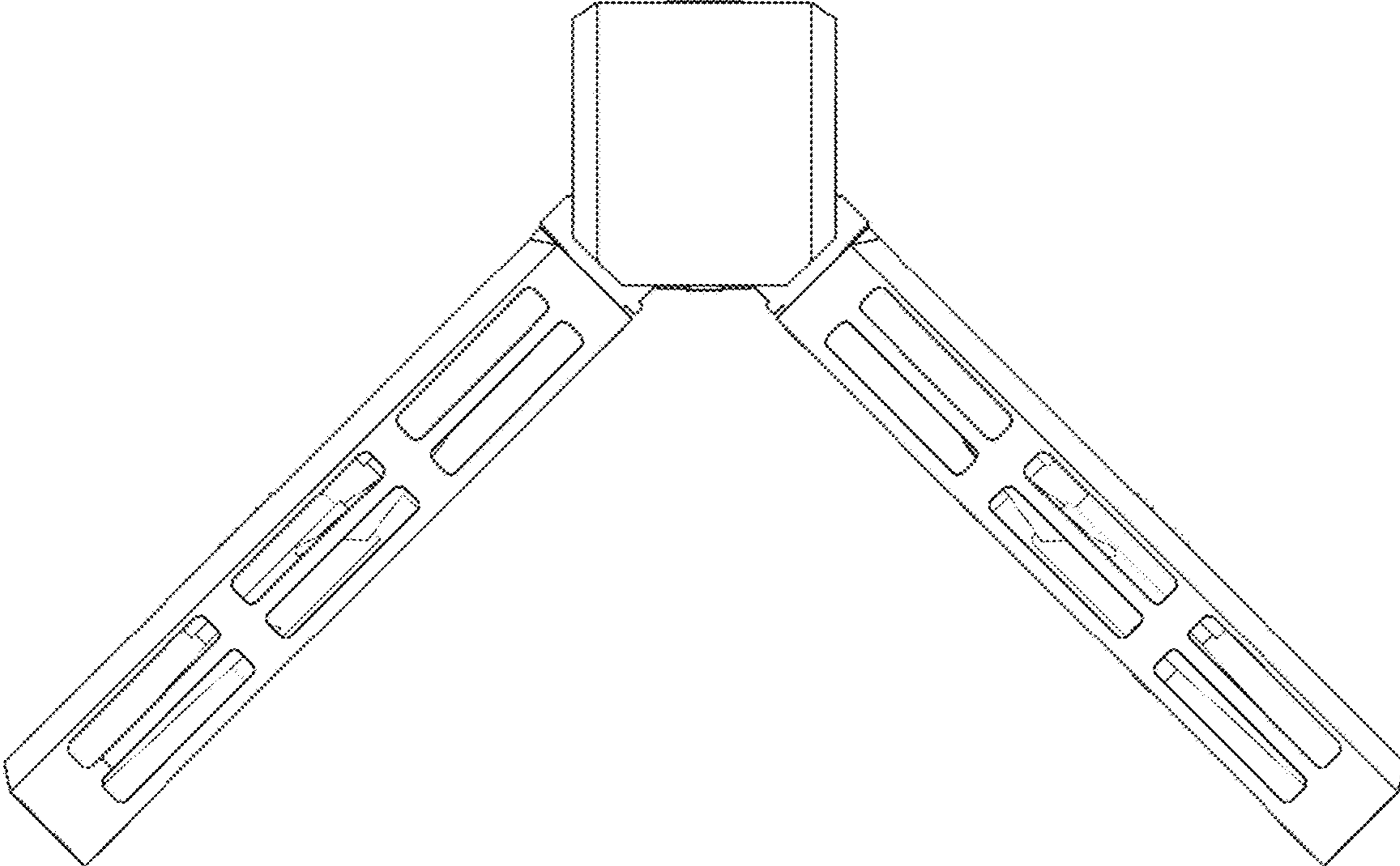


FIG. 14



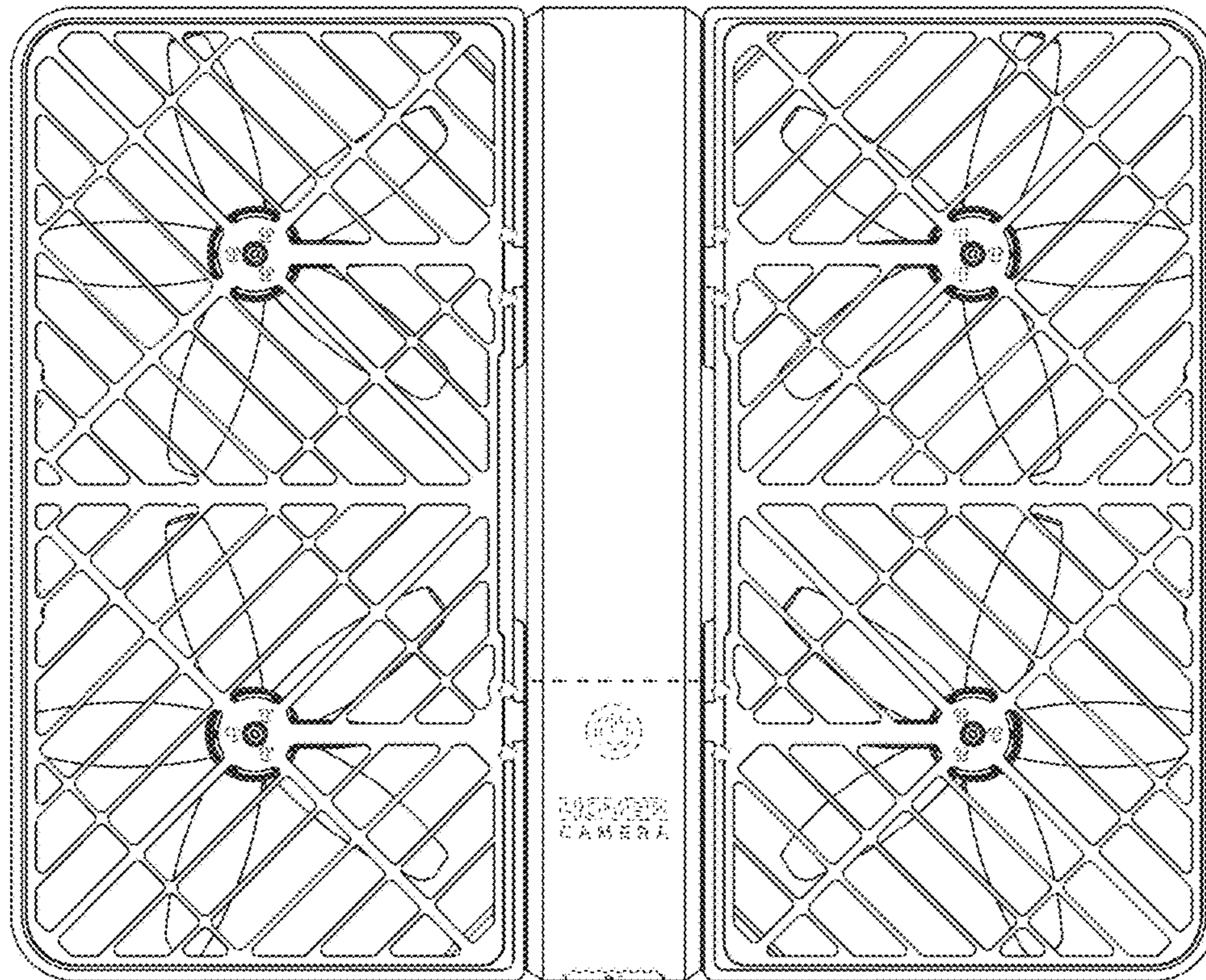


FIG. 15



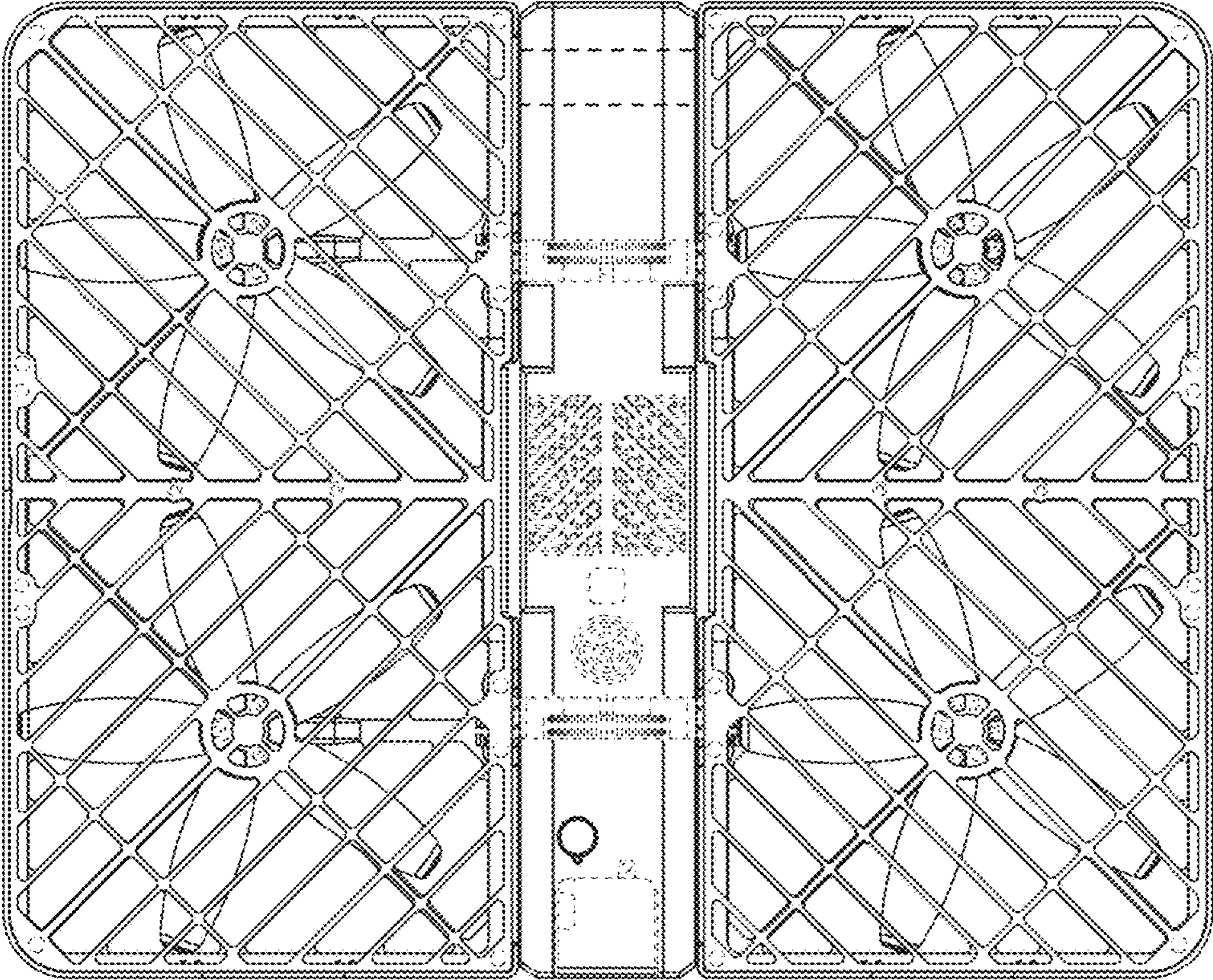


FIG. 16



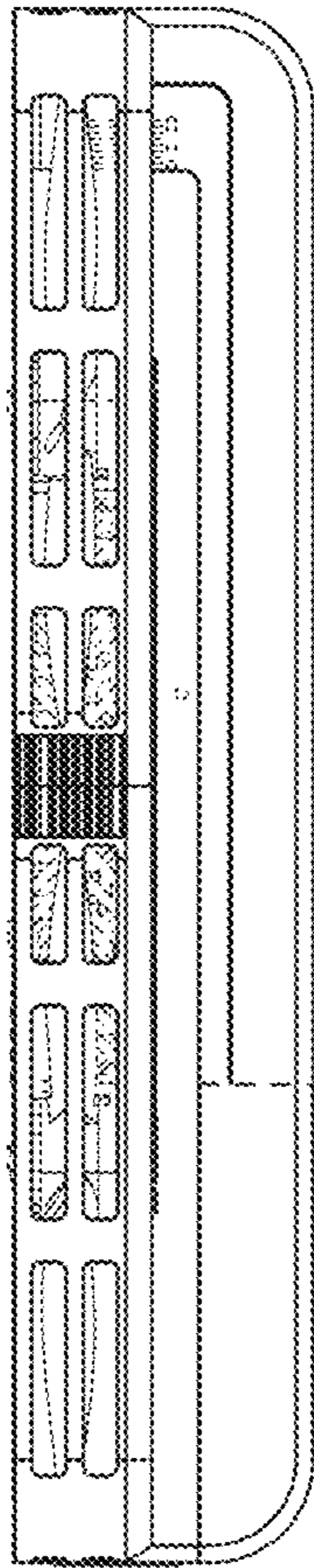


FIG. 17

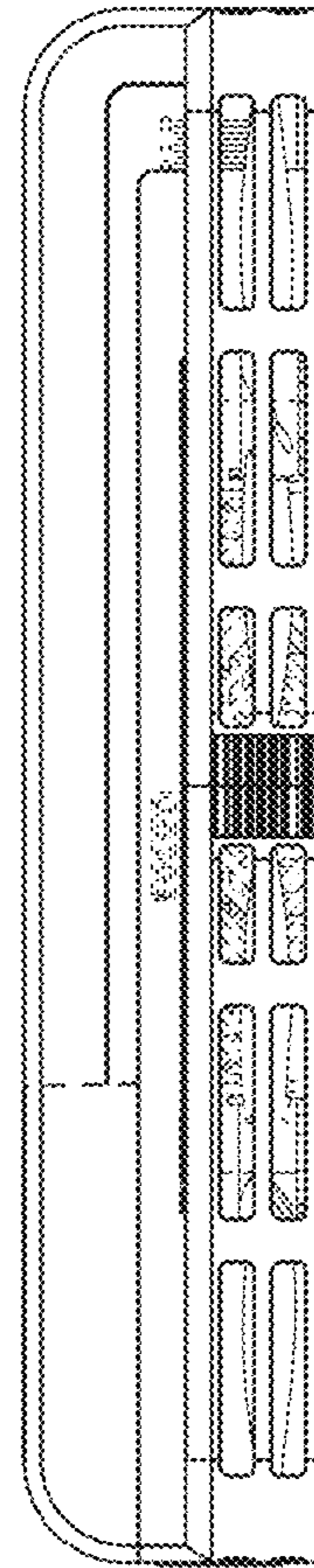


FIG. 18

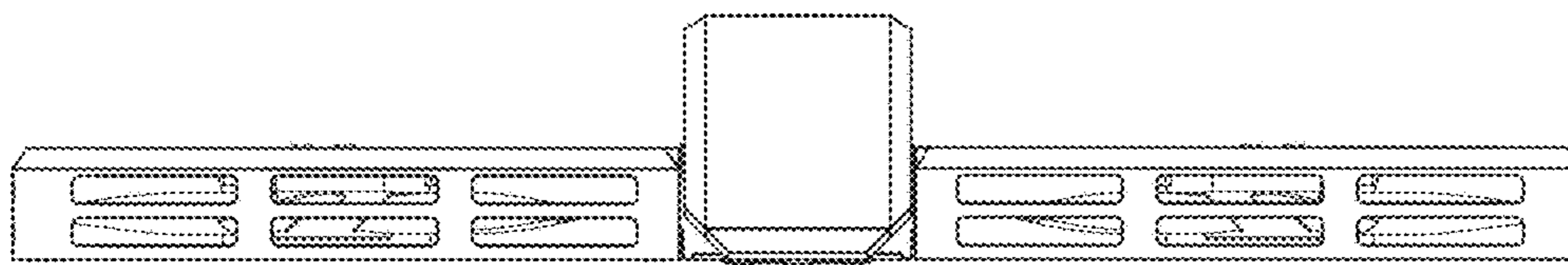


FIG. 19

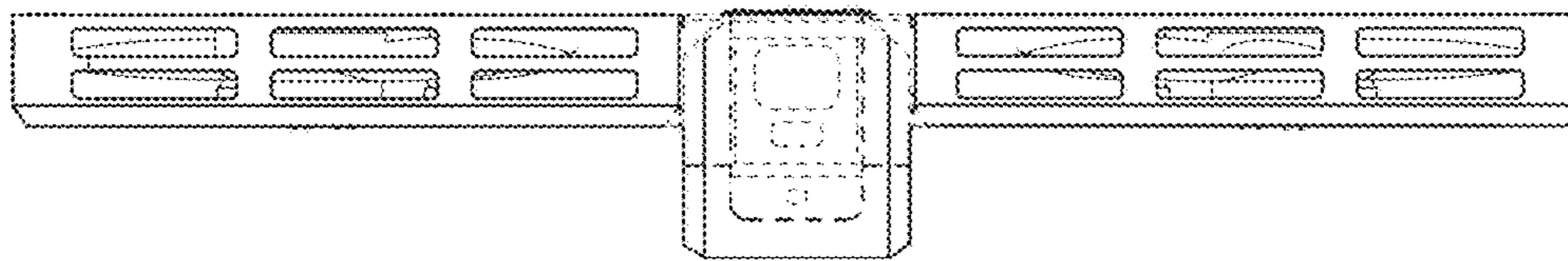


FIG. 20

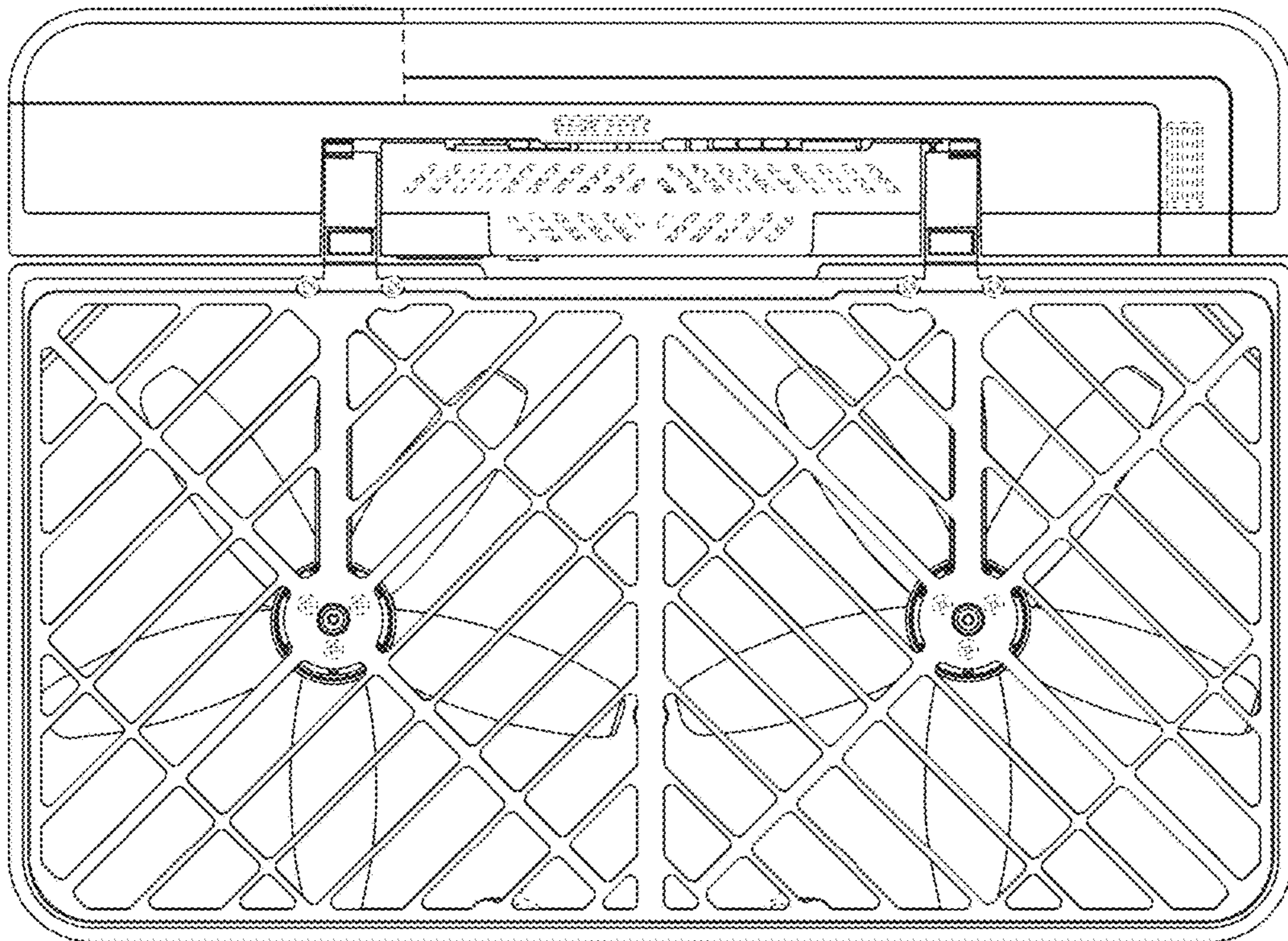


FIG. 21



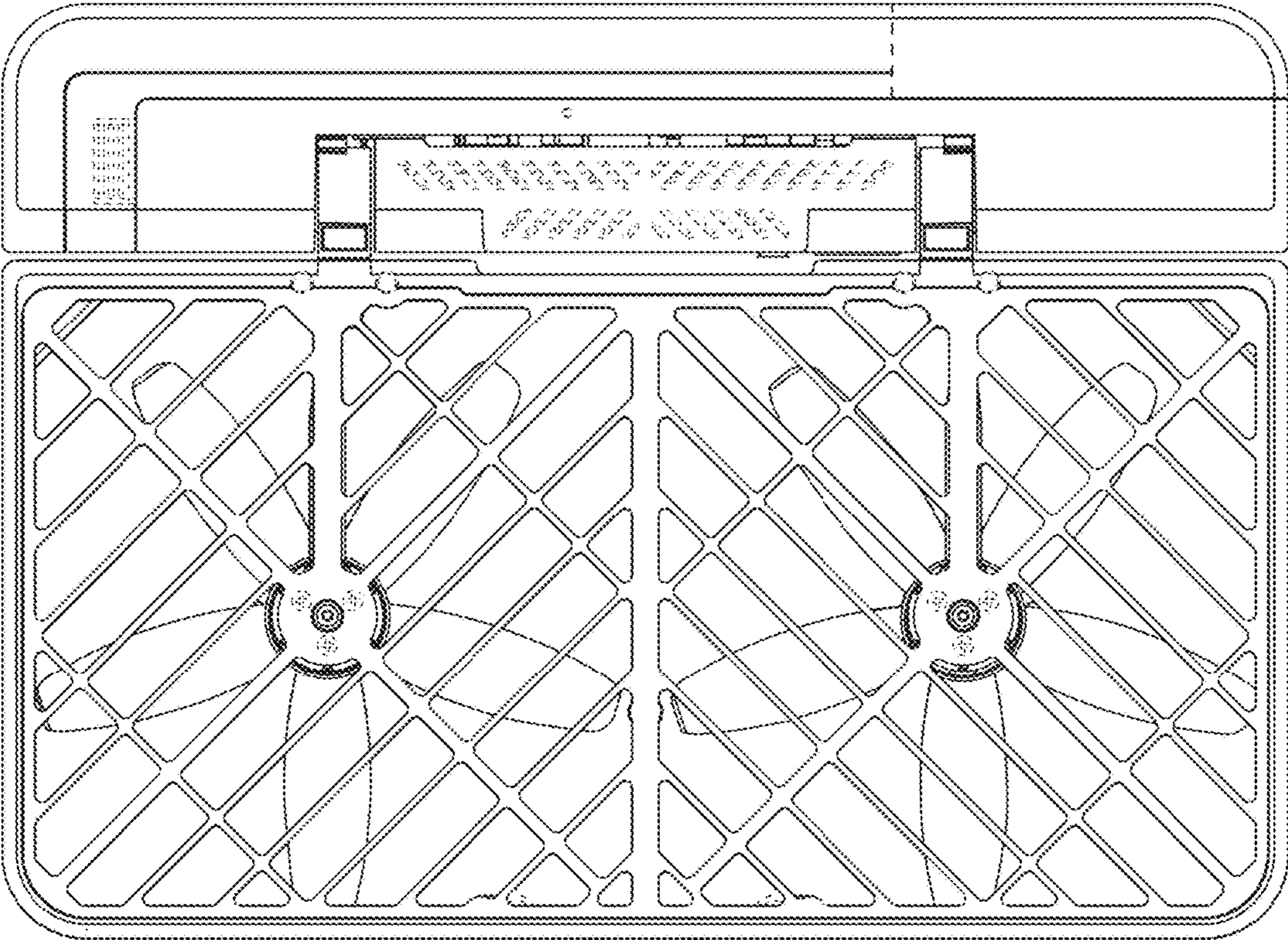


FIG. 22

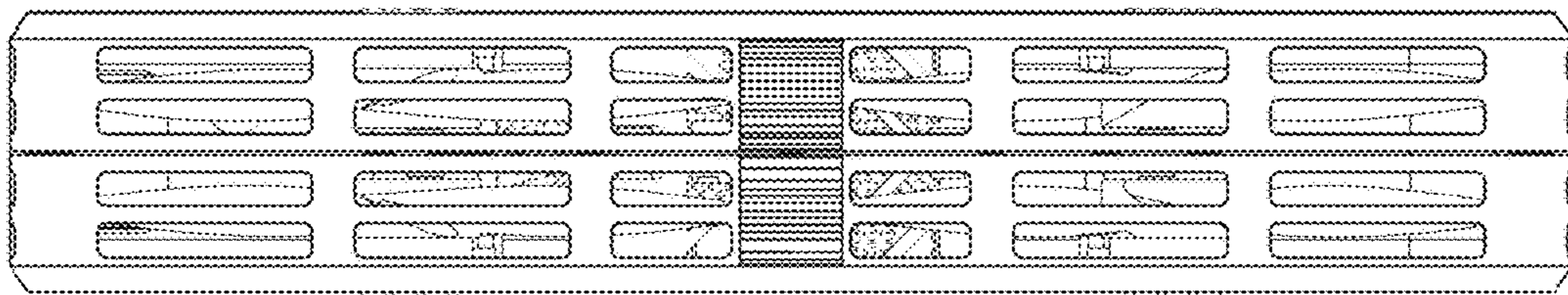


FIG. 23



FIG. 24

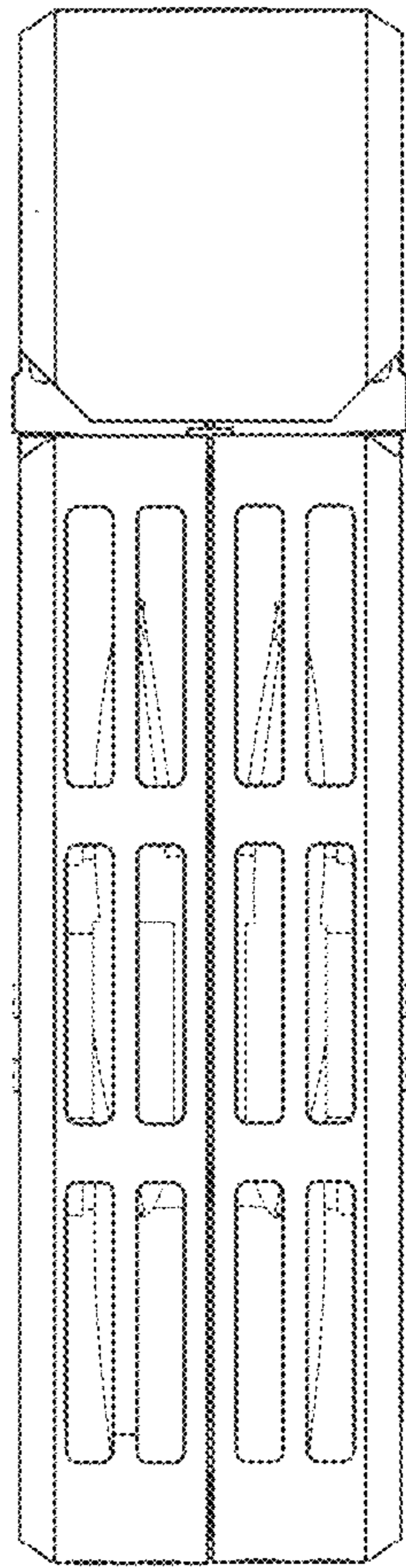


FIG. 25

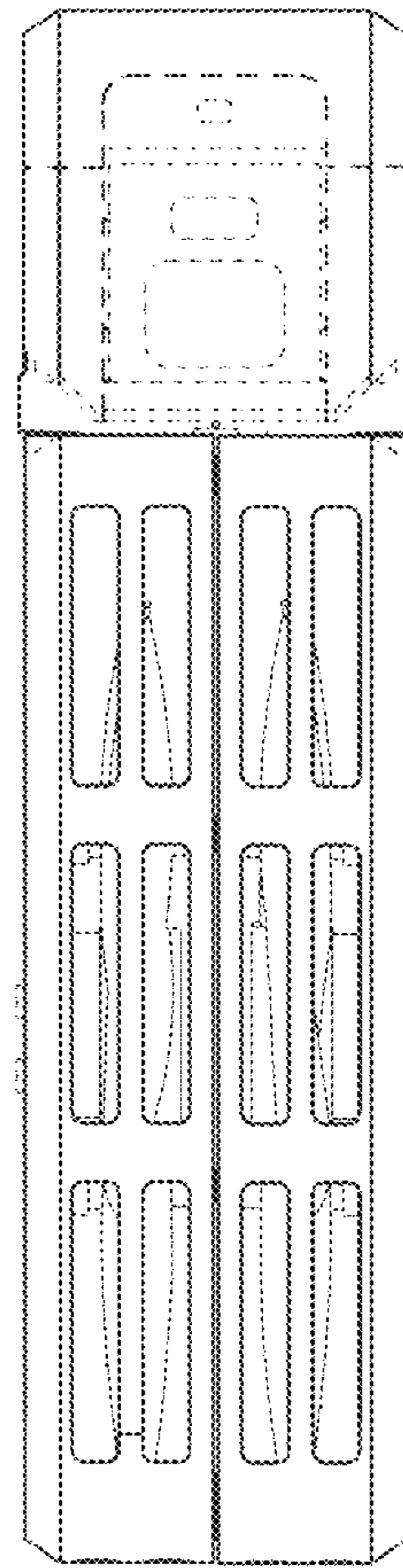


FIG. 26



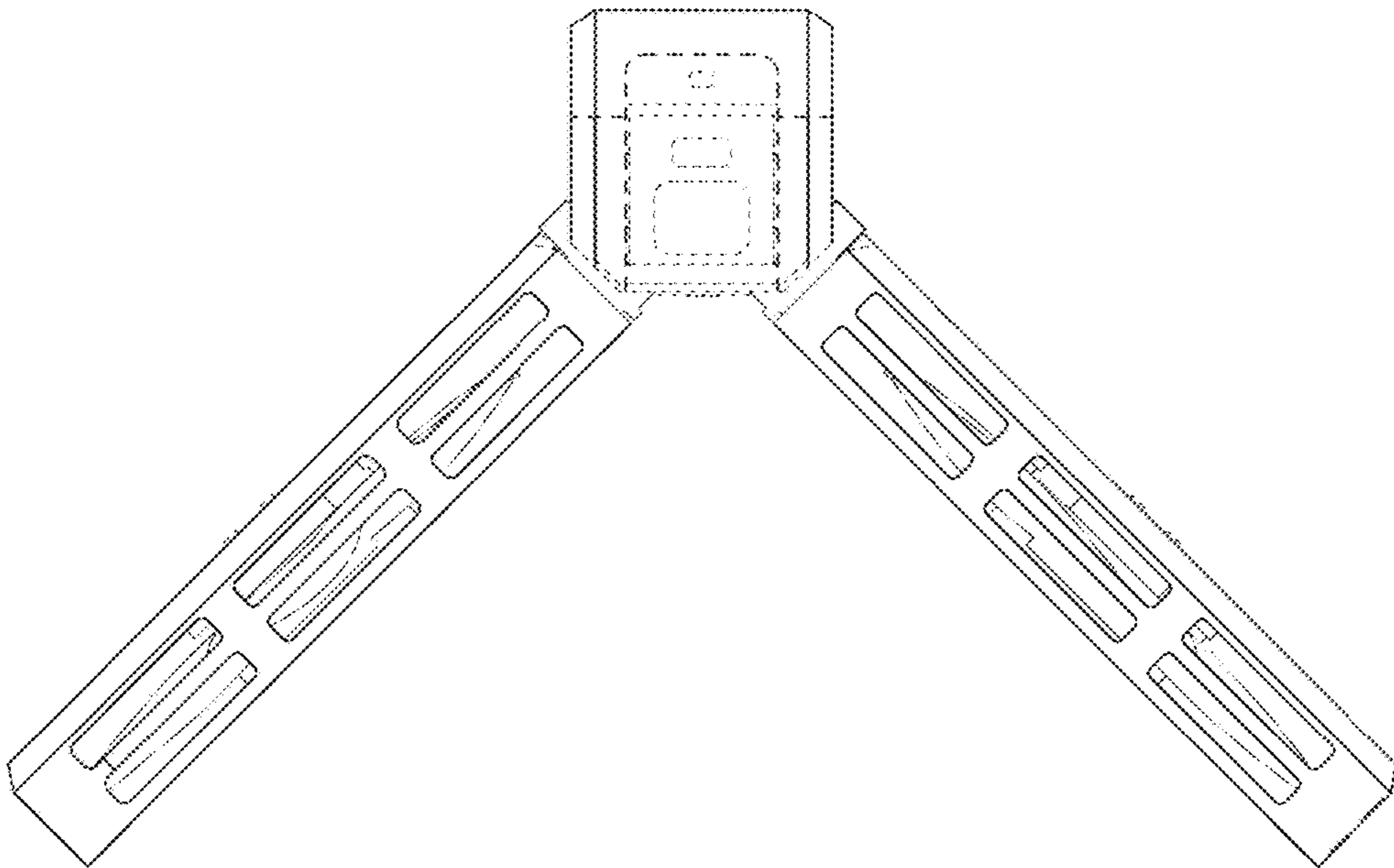


FIG. 27

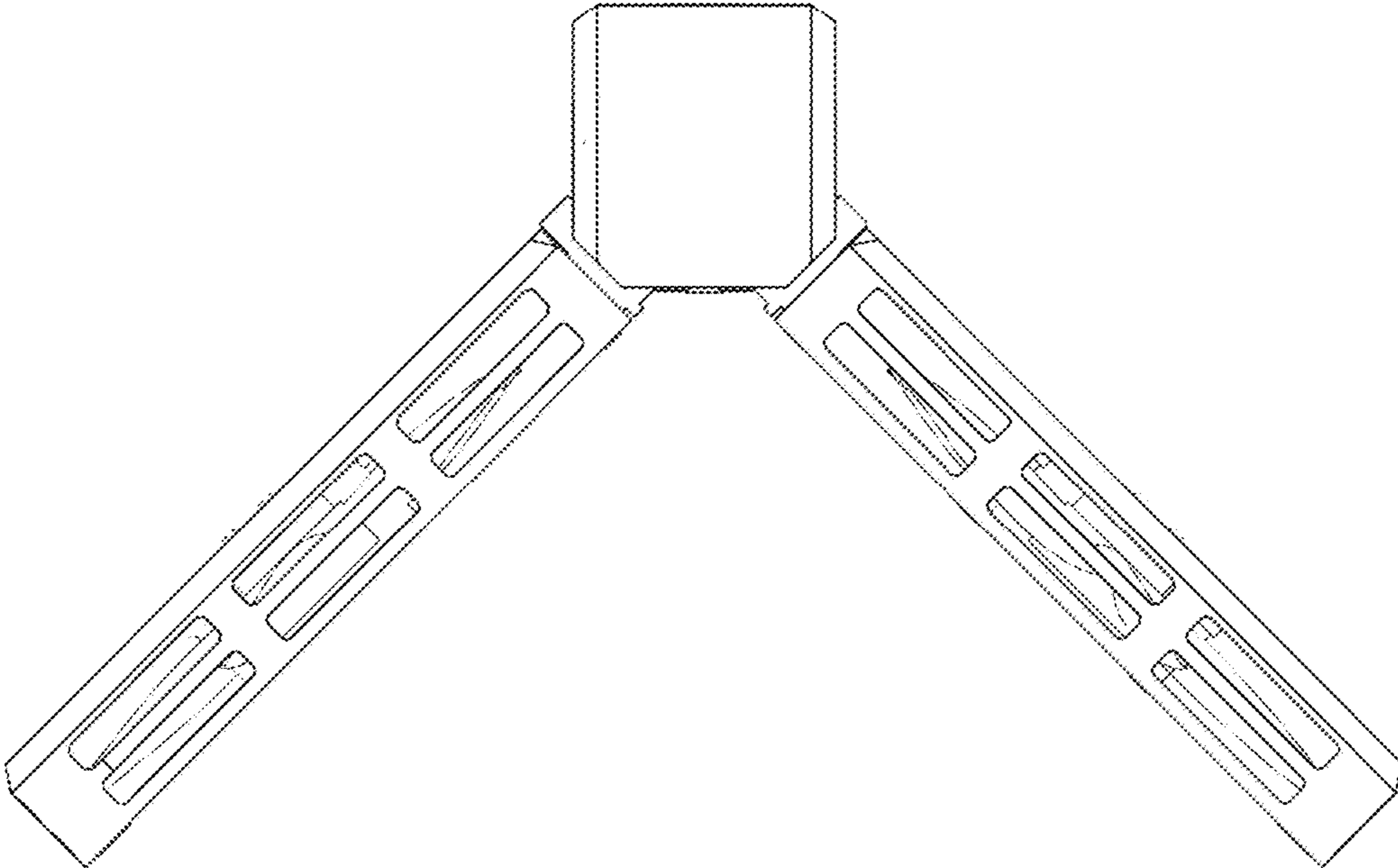


FIG. 28