



US00D811260S

(12) **United States Design Patent**  
**Koskinen**

(10) **Patent No.:** **US D811,260 S**  
(45) **Date of Patent:** **\*\* Feb. 27, 2018**

- (54) **RING**
- (71) Applicant: **Oura Health Oy**, Oulu (FI)
- (72) Inventor: **Harri Koskinen**, Oulu (FI)
- (73) Assignee: **Oura Health Oy**, Oulu (FI)
- (\*\*) Term: **15 Years**
- (21) Appl. No.: **29/533,769**
- (22) Filed: **Jul. 22, 2015**
- (51) **LOC (11) Cl.** ..... **11-01**
- (52) **U.S. Cl.**  
USPC ..... **D11/26**
- (58) **Field of Classification Search**  
USPC .... D11/3-5, 26-43, 45, 79, 89-92; D7/633;  
D8/354, 356, 397, 399; D6/546  
CPC .. A44C 5/00; A44C 7/00; A44C 7/002; A44C  
7/004; A44C 9/00; A44C 9/0007; A44C  
9/0015; A44C 9/0023; A44C 9/003; A44C  
9/0038; A44C 9/0046; A44C 9/0053;  
A44C 9/0061; A44C 9/0069; A44C  
9/0076; A44C 15/001; A44C 17/02; A44C  
17/0208; A44C 17/0216; A44C 17/0225;  
A44C 17/0233; A44C 17/0241; A44C  
17/025; A44C 17/0258  
See application file for complete search history.

(56) **References Cited**

**U.S. PATENT DOCUMENTS**

- 2,057,484 A \* 10/1936 Grant ..... A44C 9/00  
63/15
- D147,512 S \* 9/1947 Smith ..... D11/4
- 5,193,360 A \* 3/1993 Lovegrove ..... A44C 9/0069  
40/639

(Continued)

**OTHER PUBLICATIONS**

Gerente Chileno "OURA ring." (online) posted on Aug. 20, 2015.  
Retrieved from Internet Sep. 30, 2016, URL: <http://gerentechileno.com/2015/08/20/oura-ring-improve-sleep-perform-better-is-a-revolutionary-ring-sized-wellness-computer-that-helps-you-sleep-and-perform-better/> (22 pages).\*

com/2015/08/20/oura-ring-improve-sleep-perform-better-is-a-revolutionary-ring-sized-wellness-computer-that-helps-you-sleep-and-perform-better/ (22 pages).\*

*Primary Examiner* — Karen S Acker  
*Assistant Examiner* — Wendy Arminio  
(74) *Attorney, Agent, or Firm* — Ziegler IP Law Group, LLC

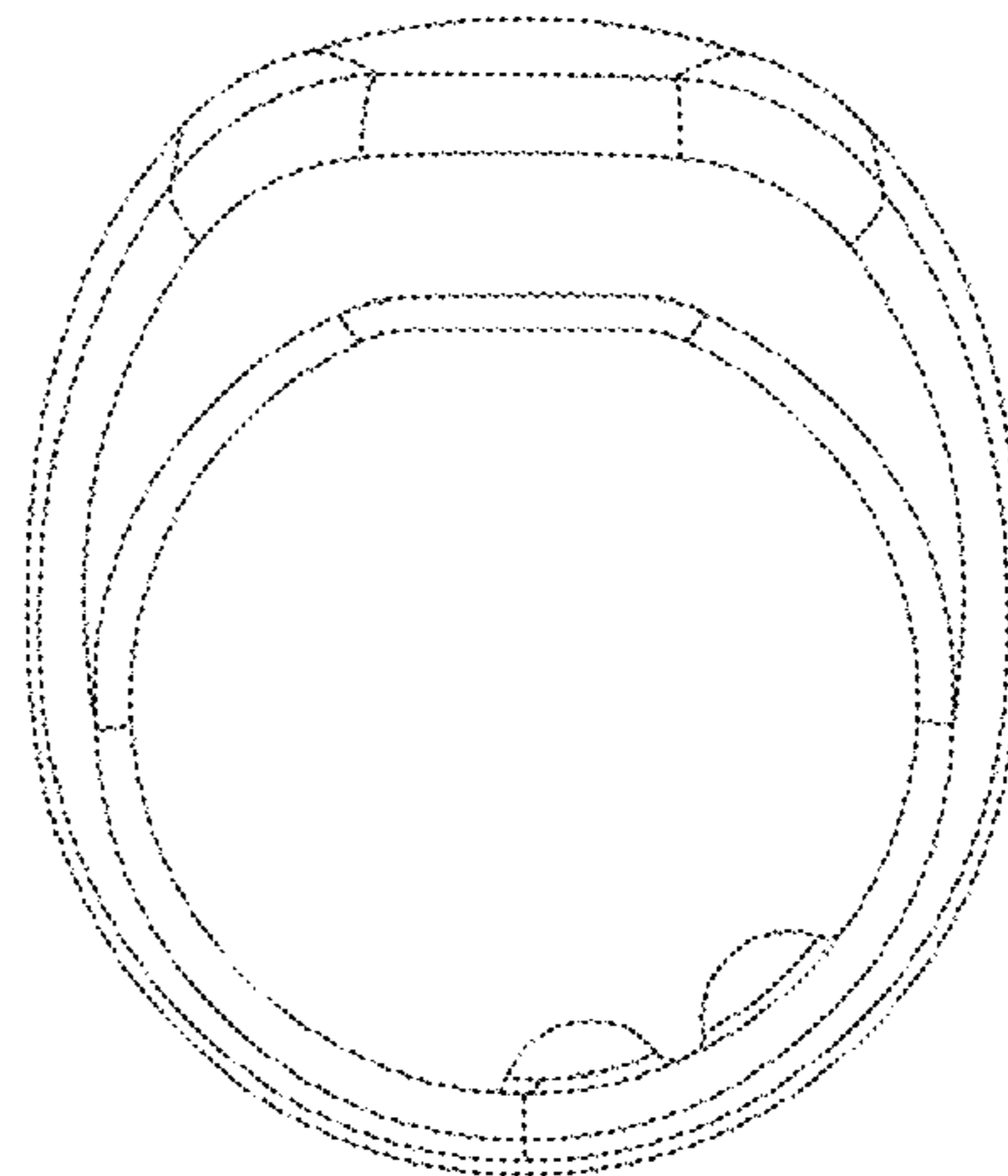
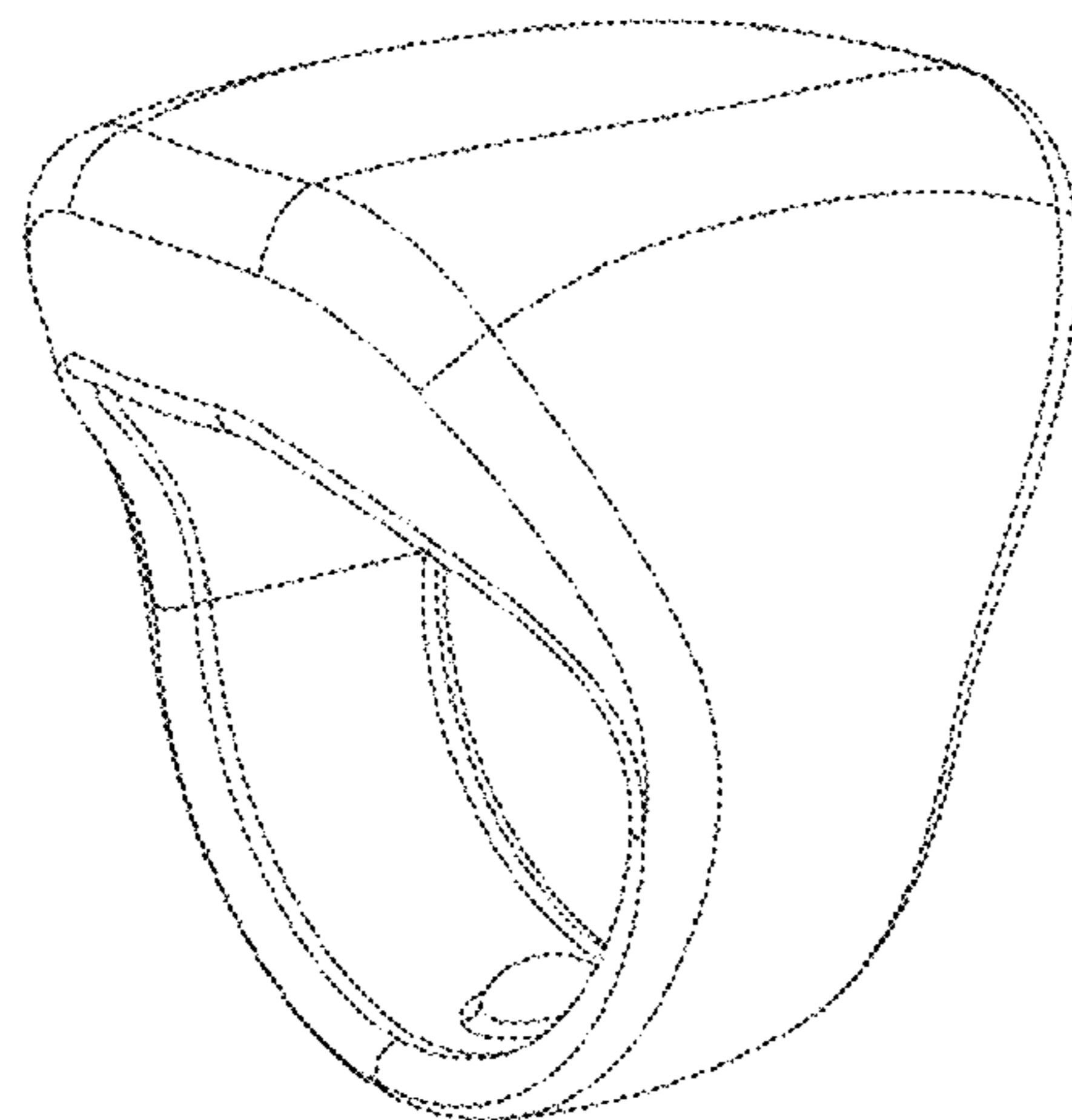
(57) **CLAIM**

The ornamental design for a ring, as shown and described.

**DESCRIPTION**

FIG. 1 is a perspective view of a first embodiment of a ring illustrating the claimed design;  
 FIG. 2 is a front perspective view of the ring of FIG. 1;  
 FIG. 3 is a back view of the ring of FIG. 1;  
 FIG. 4 is a top view of the ring of FIG. 1;  
 FIG. 5 is a bottom view of the ring of FIG. 1;  
 FIG. 6 is right side view of the ring of FIG. 1;  
 FIG. 7 is a left side view of the ring of FIG. 1;  
 FIG. 8 is a perspective view of a second embodiment of a ring illustrating the claimed design;  
 FIG. 9 is a front perspective view of the ring of FIG. 8;  
 FIG. 10 is a back view of the ring of FIG. 8;  
 FIG. 11 is a top view of the ring of FIG. 8;  
 FIG. 12 is a bottom view of the ring of FIG. 8;  
 FIG. 13 is right side view of the ring of FIG. 8;  
 FIG. 14 is a left side view of the ring of FIG. 8;  
 FIG. 15 is a perspective view of a third embodiment of a ring illustrating the claimed design;  
 FIG. 16 is a front perspective view of the ring of FIG. 15;  
 FIG. 17 is a back view of the ring of FIG. 15;  
 FIG. 18 is a top view of the ring of FIG. 15;  
 FIG. 19 is a bottom view of the ring of FIG. 15;  
 FIG. 20 is right side view of the ring of FIG. 15; and,  
 FIG. 21 is a left side view of the ring of FIG. 15.  
 The broken lines in the drawings depict portions of the ring that form no part of the claimed design.

**1 Claim, 21 Drawing Sheets**



(56)

**References Cited**

U.S. PATENT DOCUMENTS

5,758,945 A \* 6/1998 Lima ..... A44C 17/0208  
362/104  
D427,379 S \* 6/2000 Thorpe ..... D11/2  
D429,383 S \* 8/2000 Thorpe ..... D11/26  
D523,770 S \* 6/2006 Arlanda ..... D11/26  
D563,821 S \* 3/2008 McKeever ..... D11/26  
7,339,755 B2 \* 3/2008 Sauer ..... G02B 7/002  
359/802  
D584,985 S \* 1/2009 Lynch ..... D11/26  
D615,445 S \* 5/2010 Hardy ..... D11/26  
D621,808 S \* 8/2010 Kim ..... D14/138 R  
D685,285 S \* 7/2013 Collamore ..... D11/26  
D689,788 S \* 9/2013 Gruosi ..... D11/26  
D691,509 S \* 10/2013 Collamore ..... D11/26  
D753,654 S \* 4/2016 Eastwood ..... D11/4  
D756,241 S \* 5/2016 Gabor ..... D10/32  
D756,242 S \* 5/2016 Gabor ..... D10/32  
2015/0287412 A1 \* 10/2015 Tang ..... A44C 9/0053  
704/275

\* cited by examiner

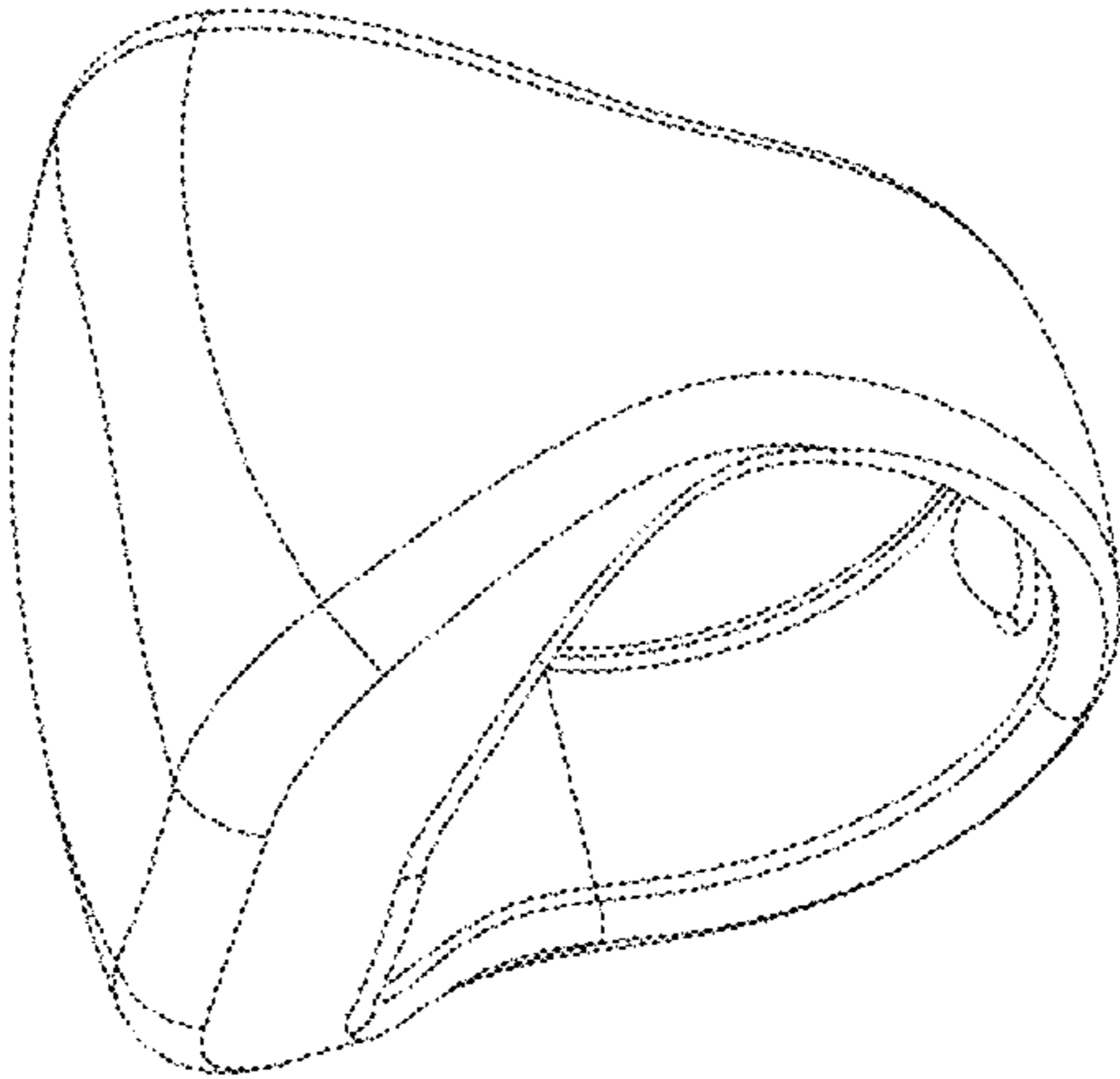


FIG. 1

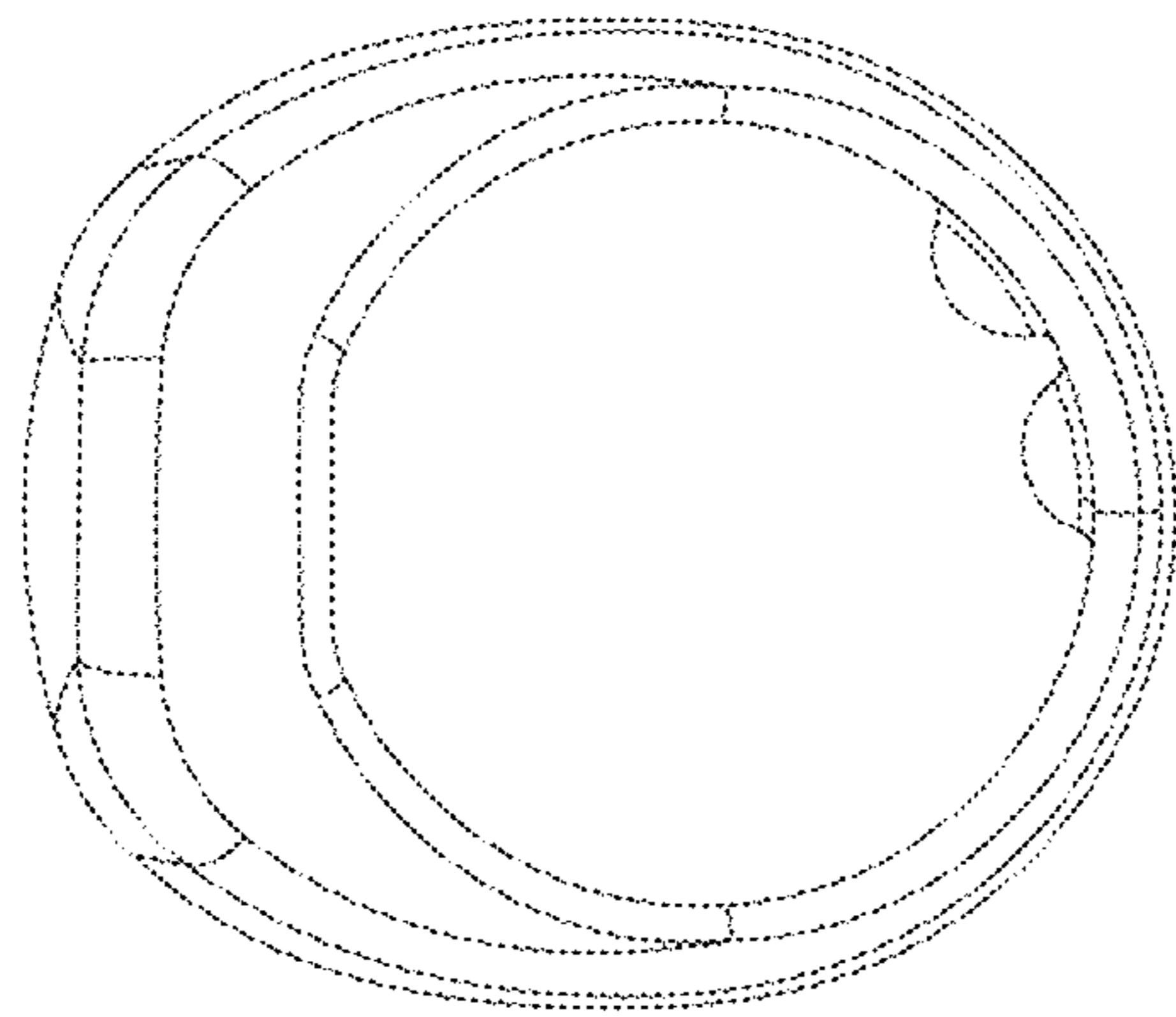


FIG. 2

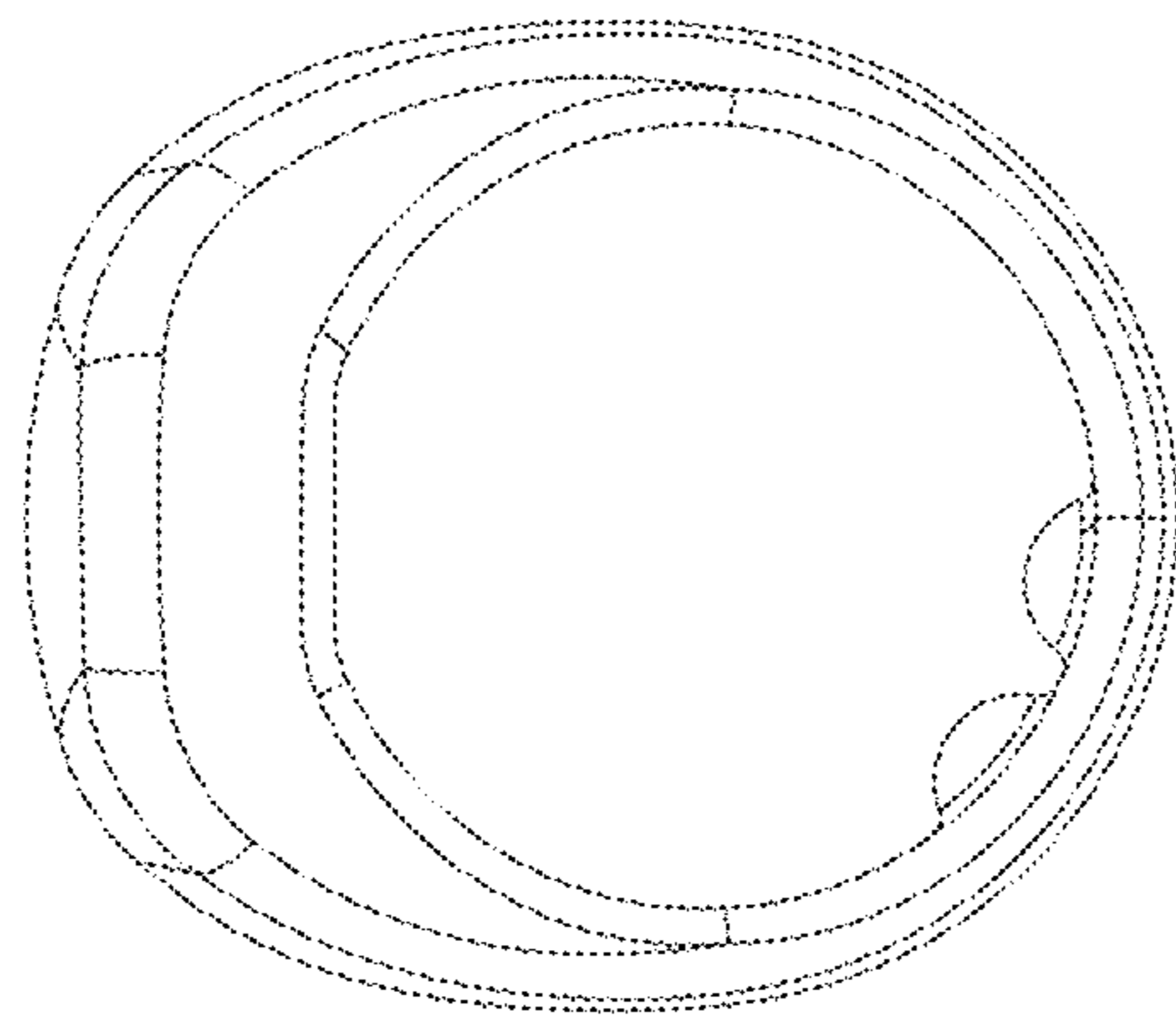


FIG. 3

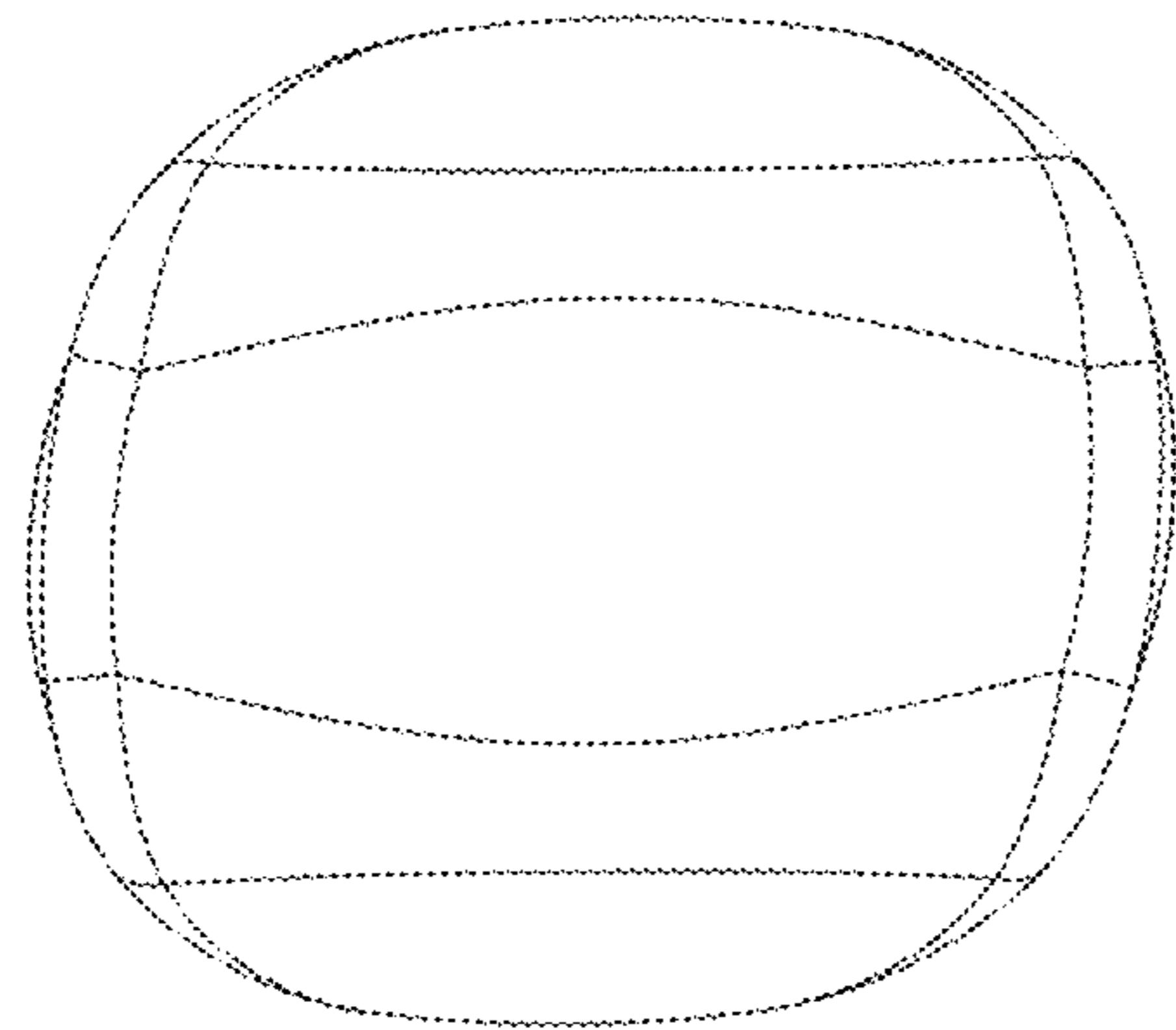


FIG. 4

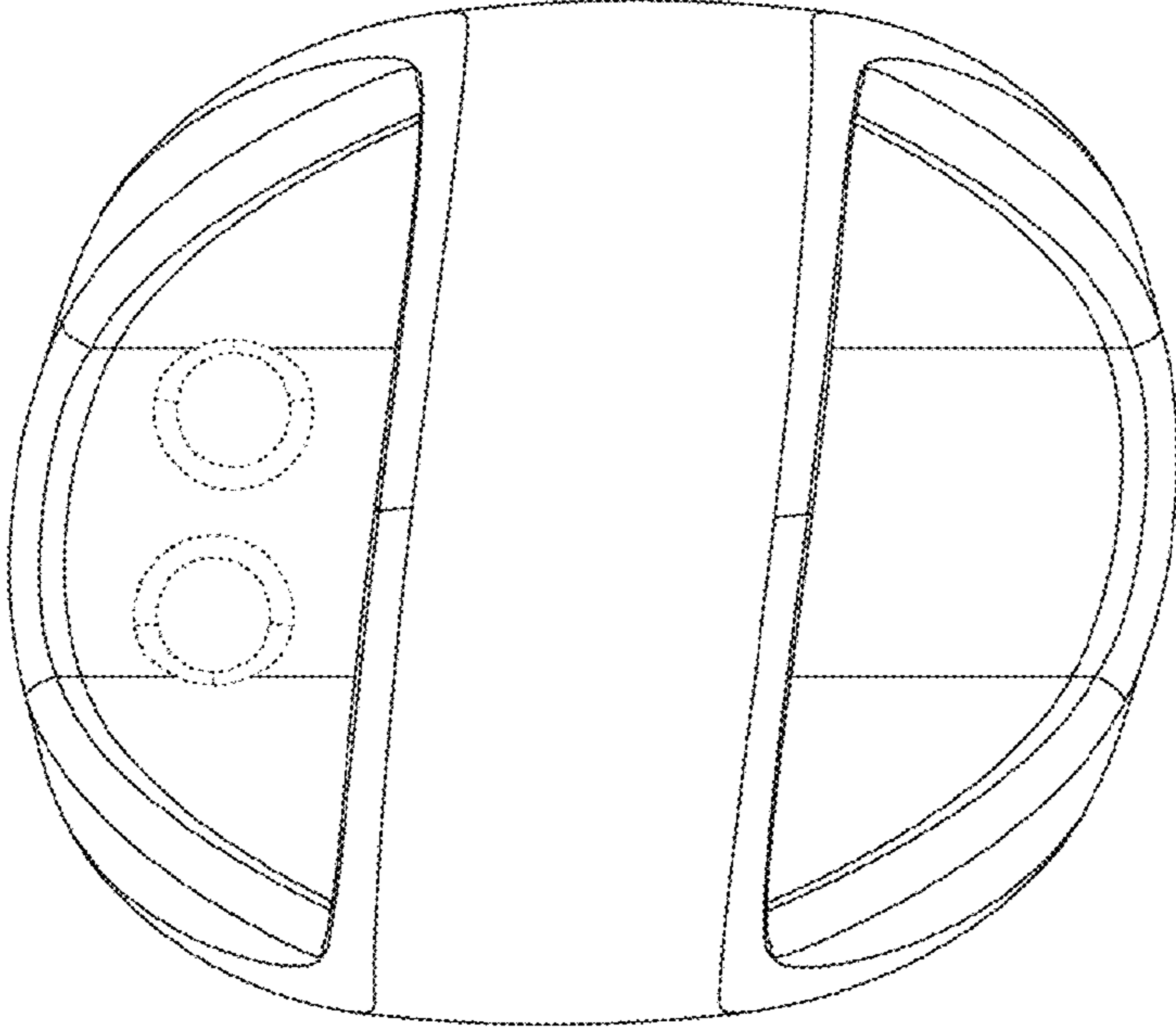


FIG. 5

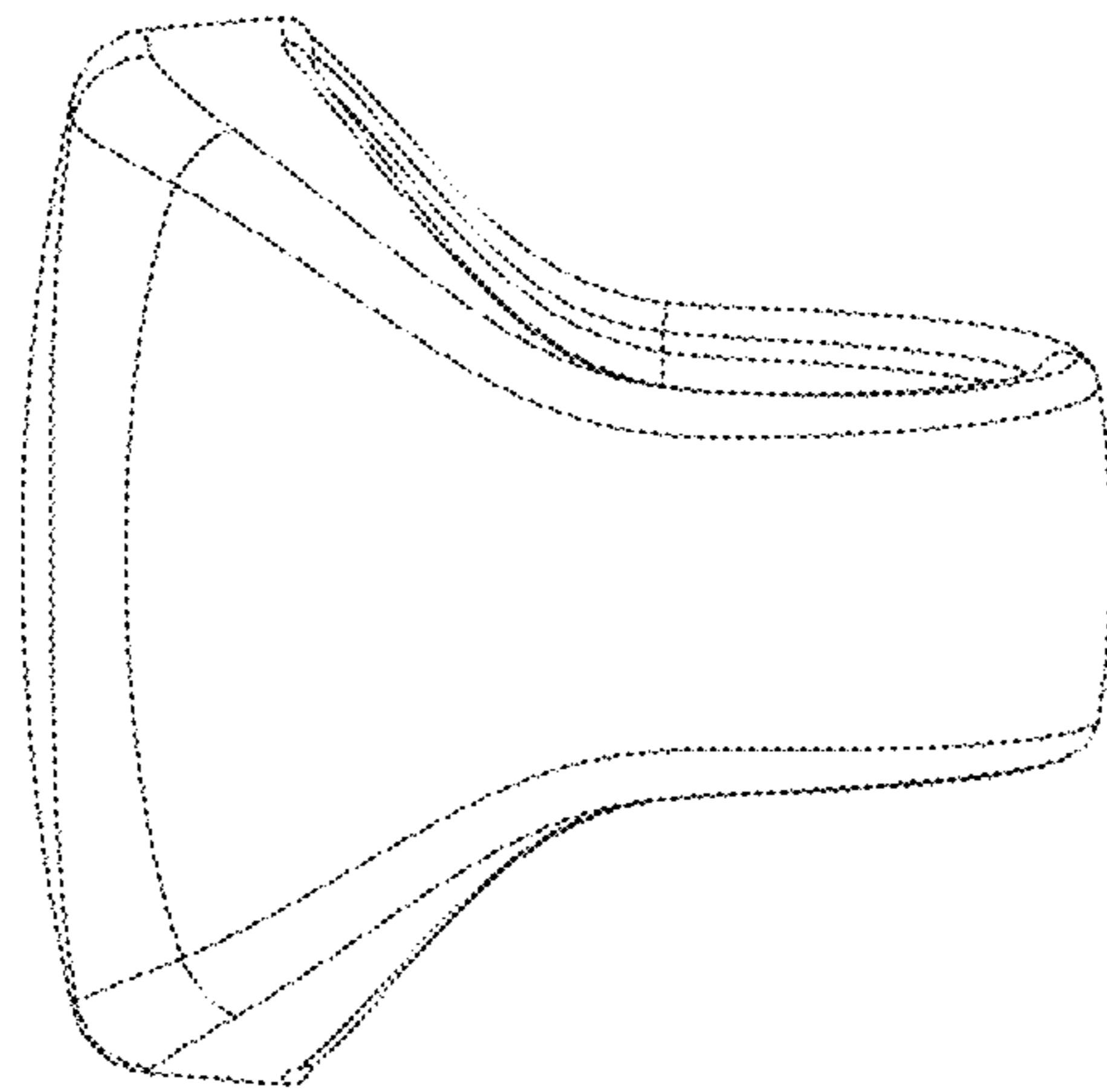


FIG. 6



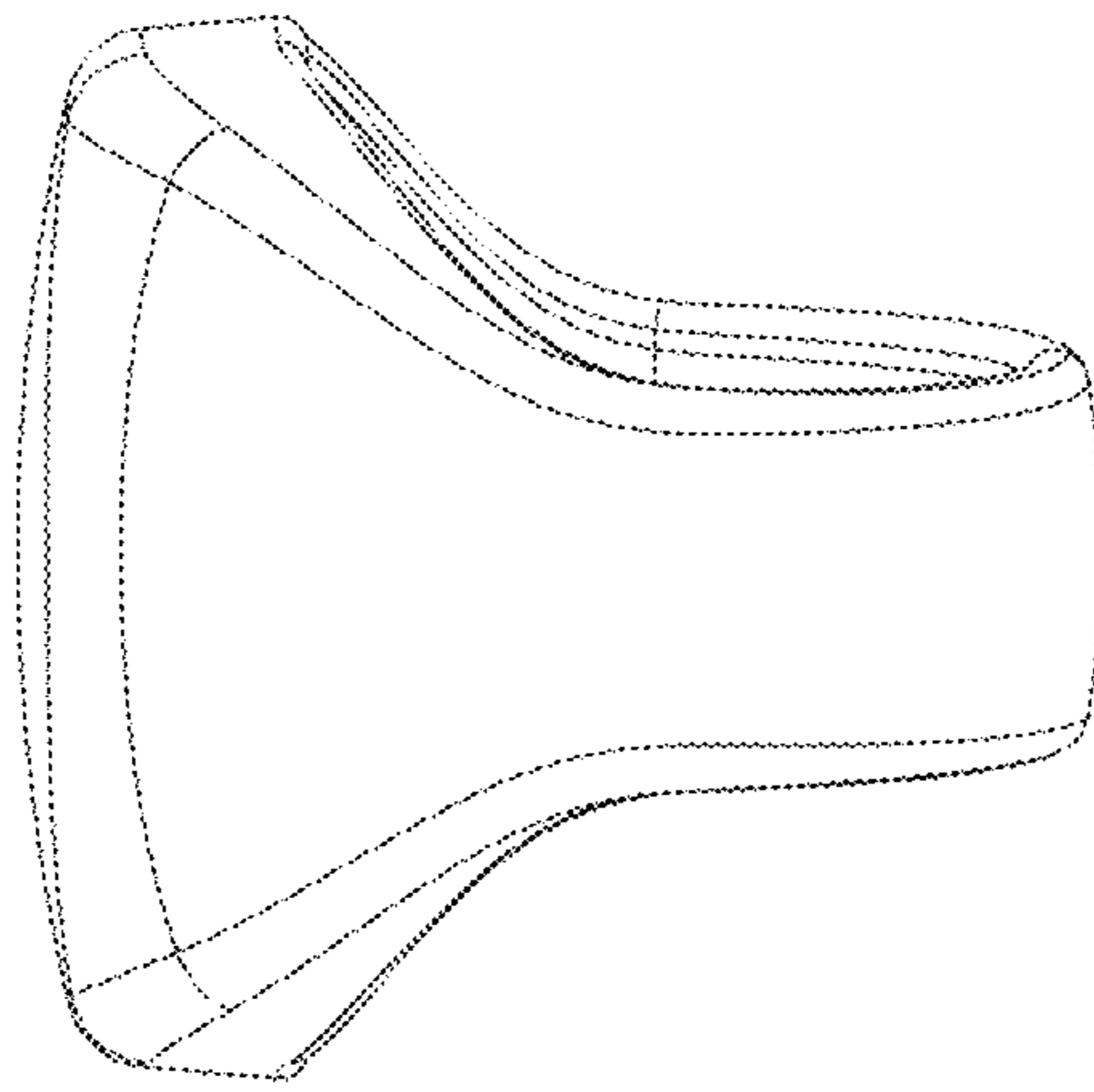


FIG. 7

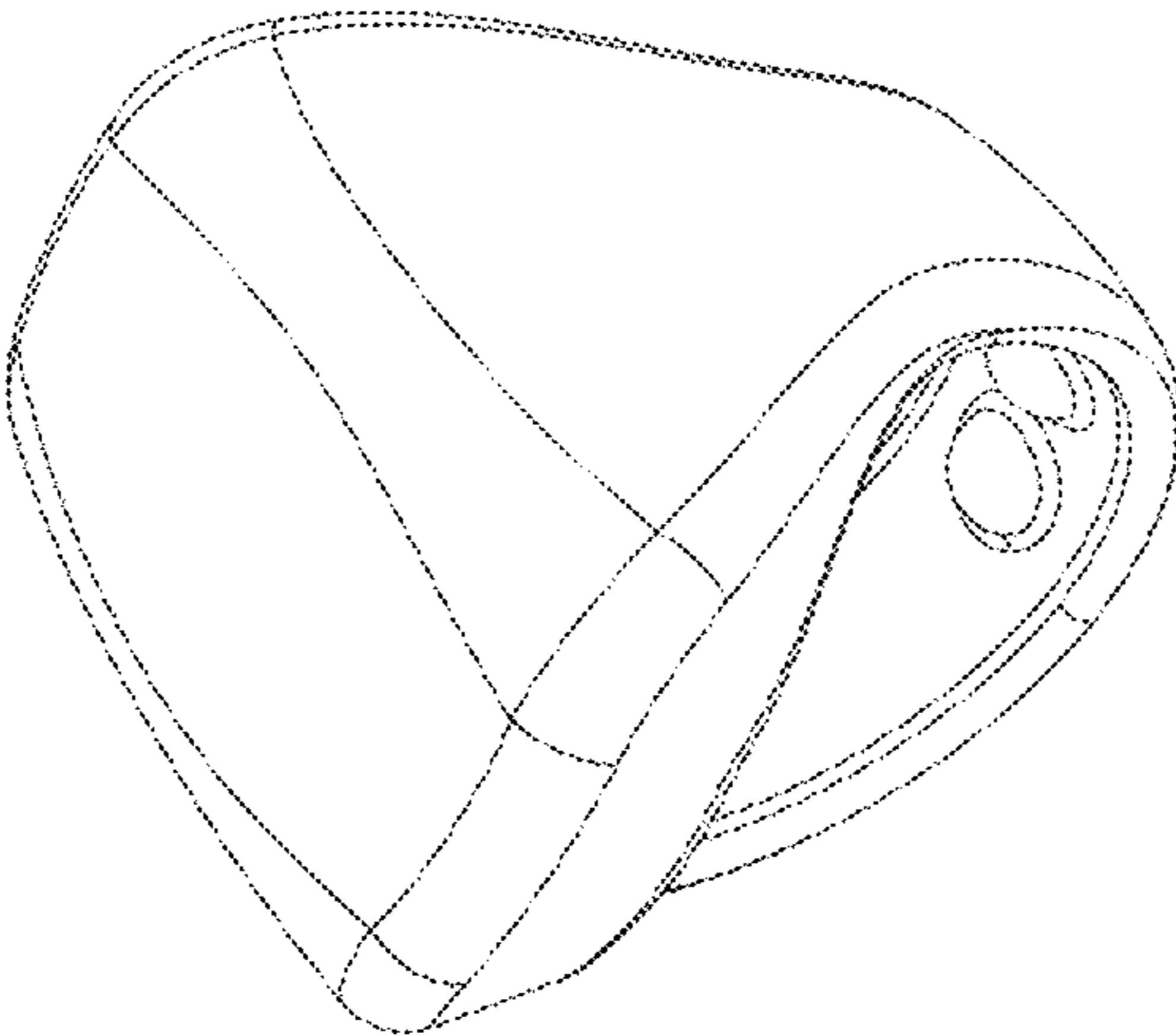


FIG. 8

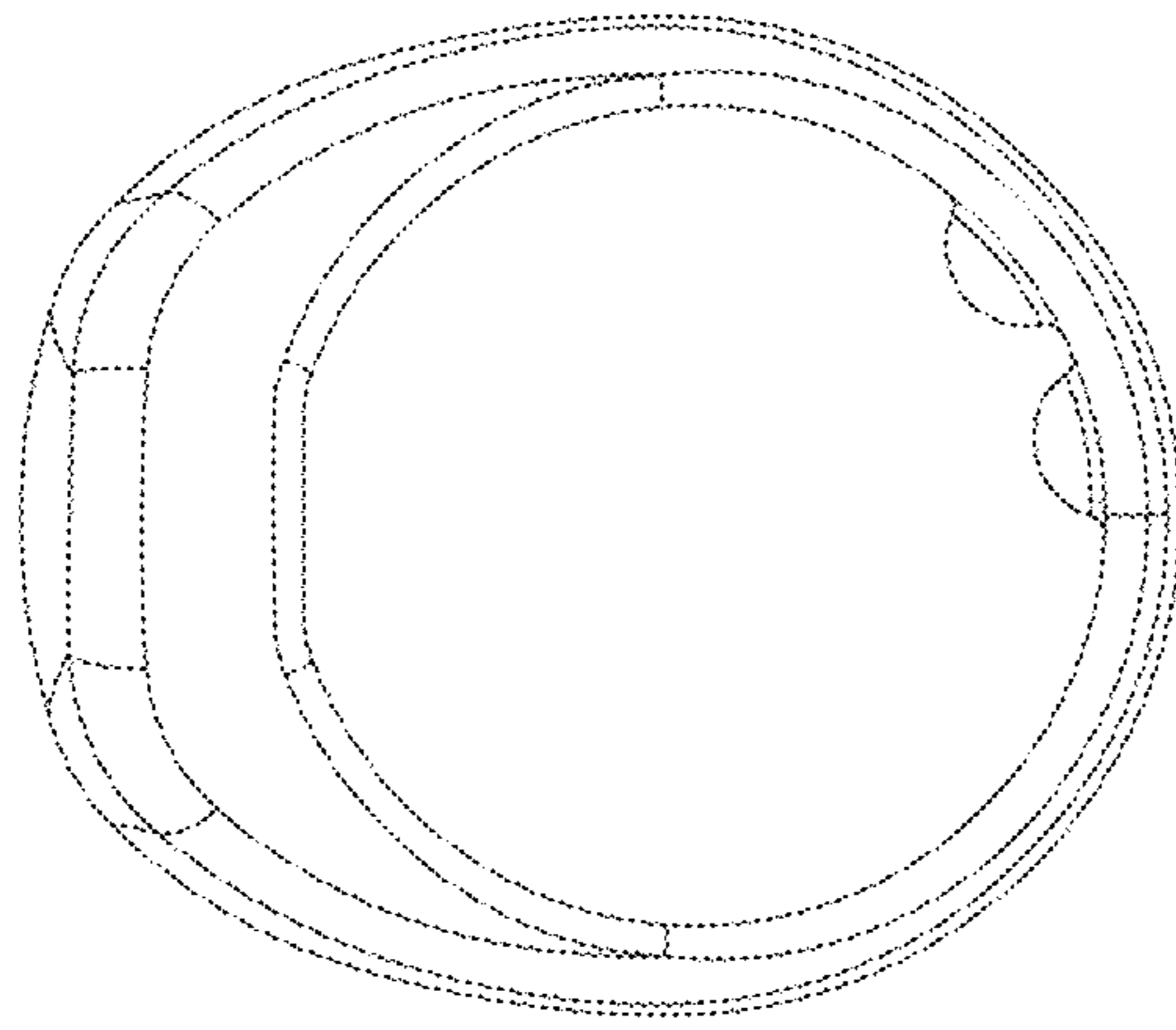


FIG. 9

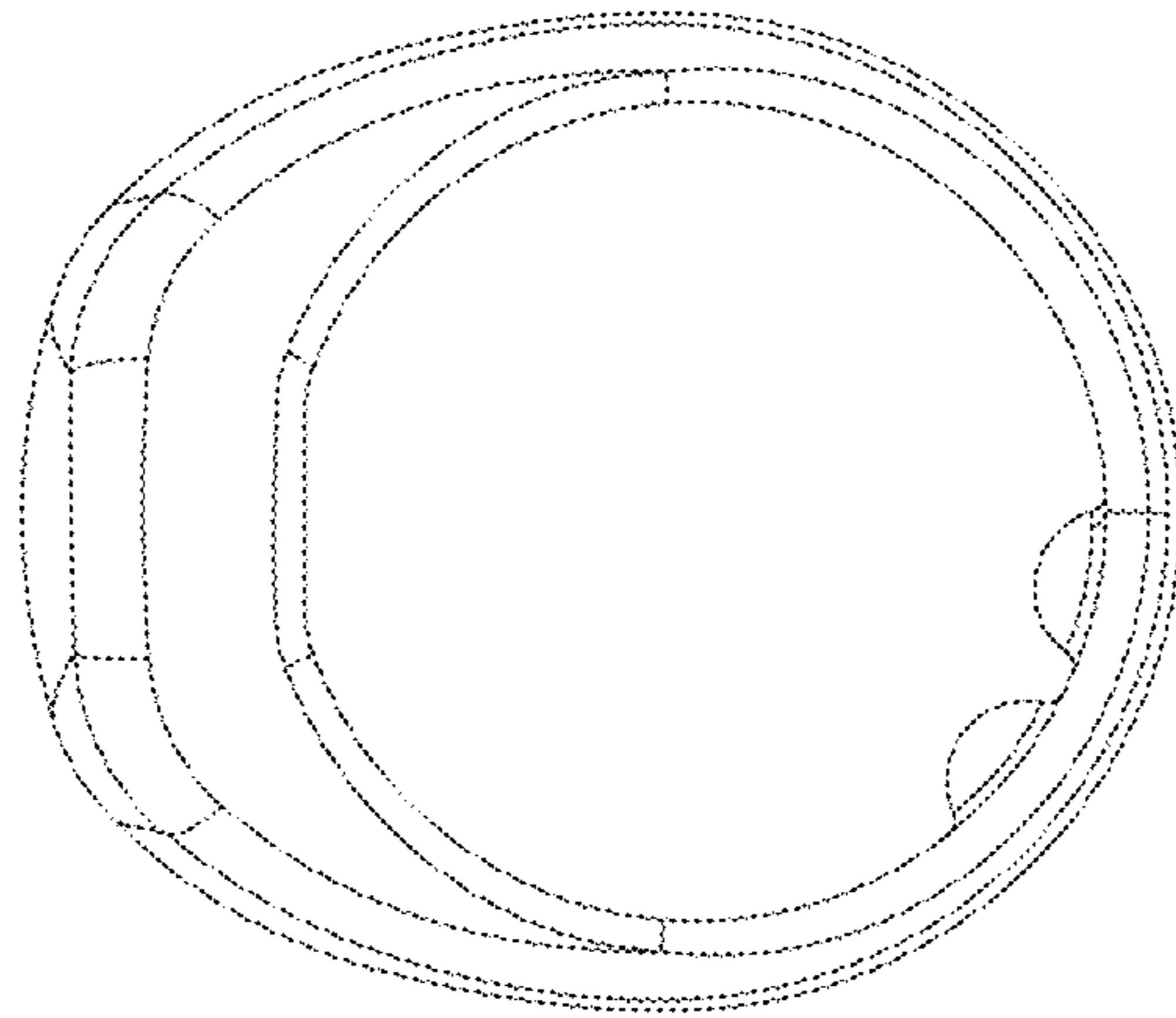


FIG. 10

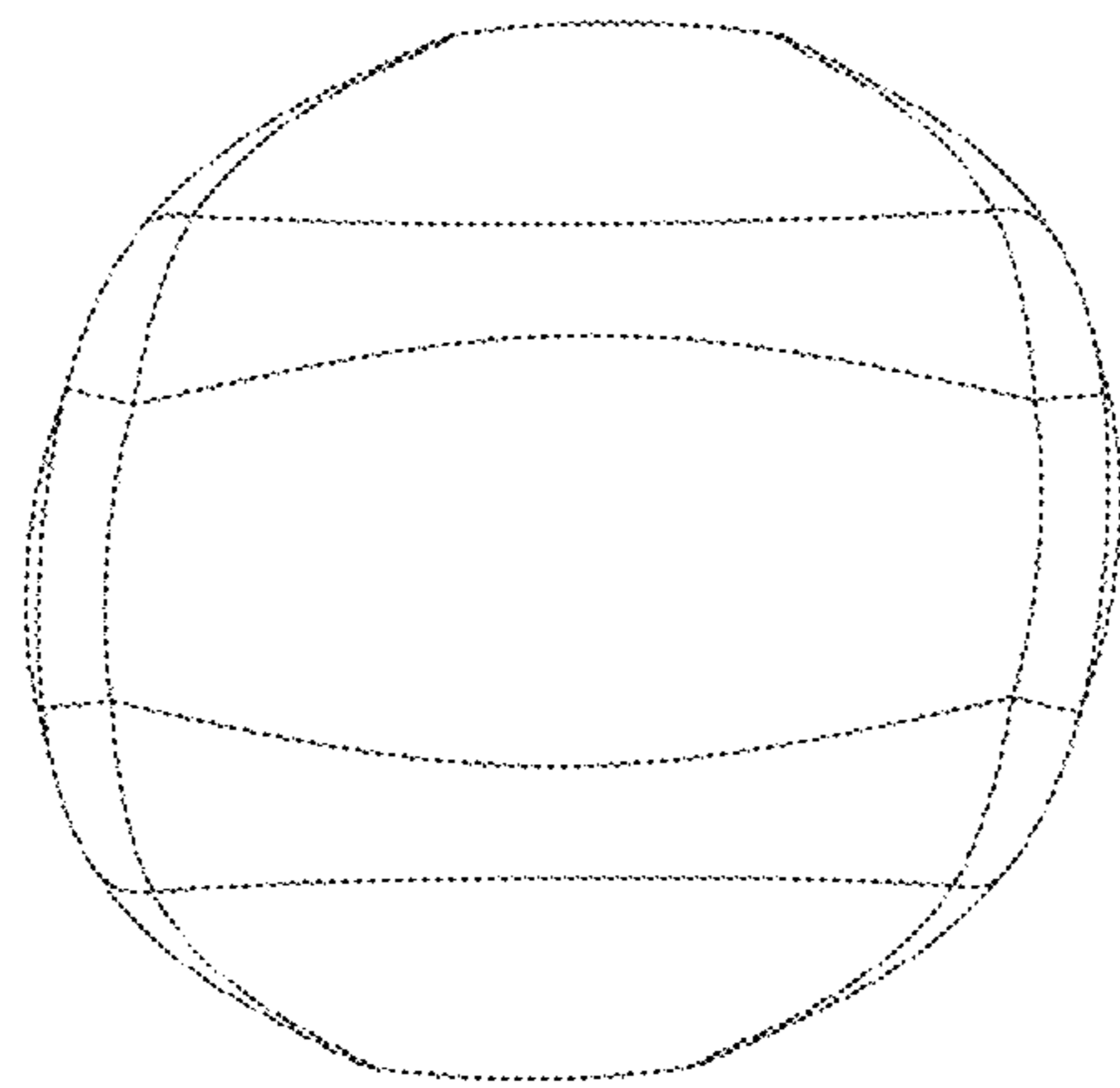


FIG. 11

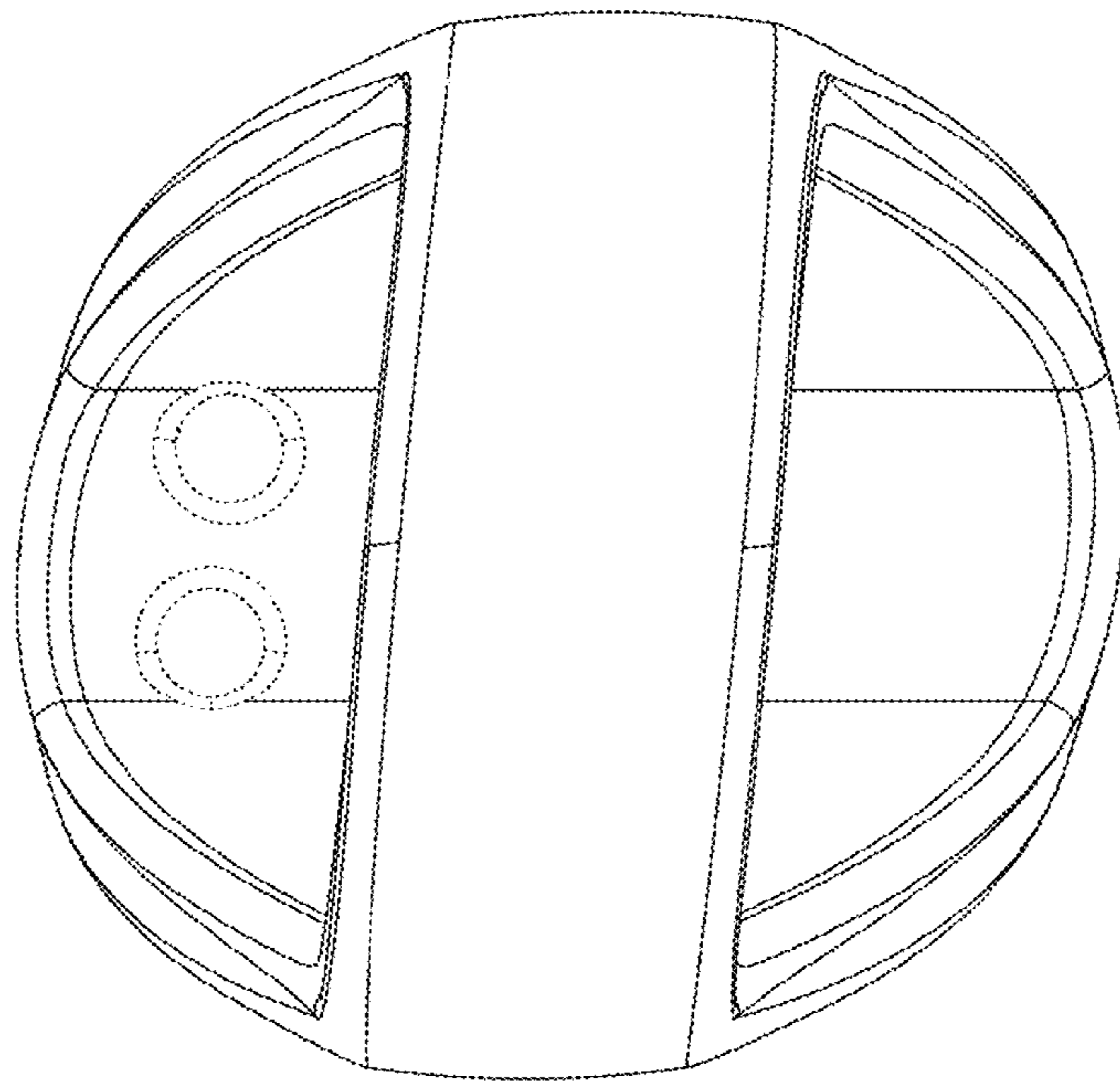


FIG. 12

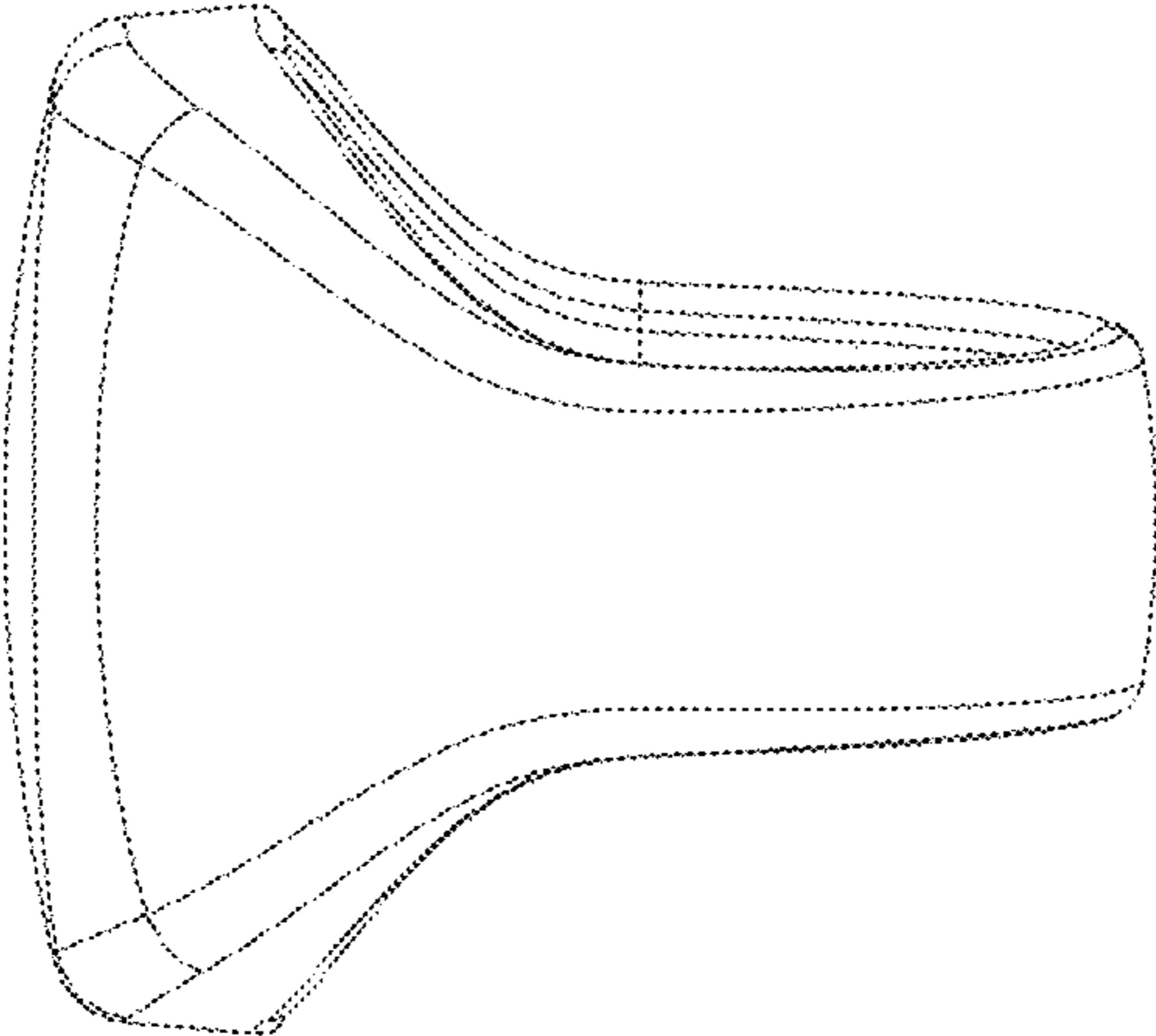


FIG. 13

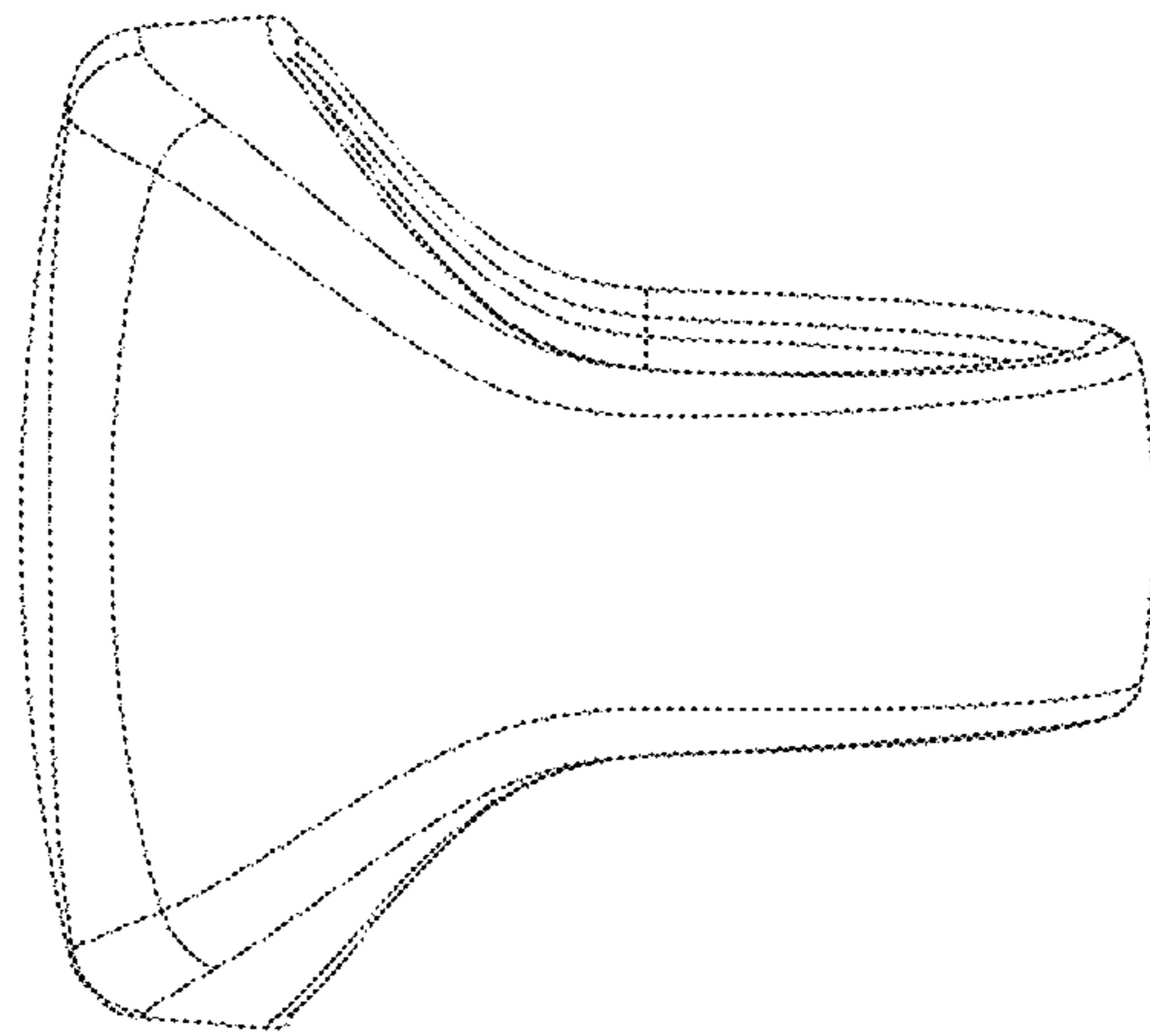


FIG. 14



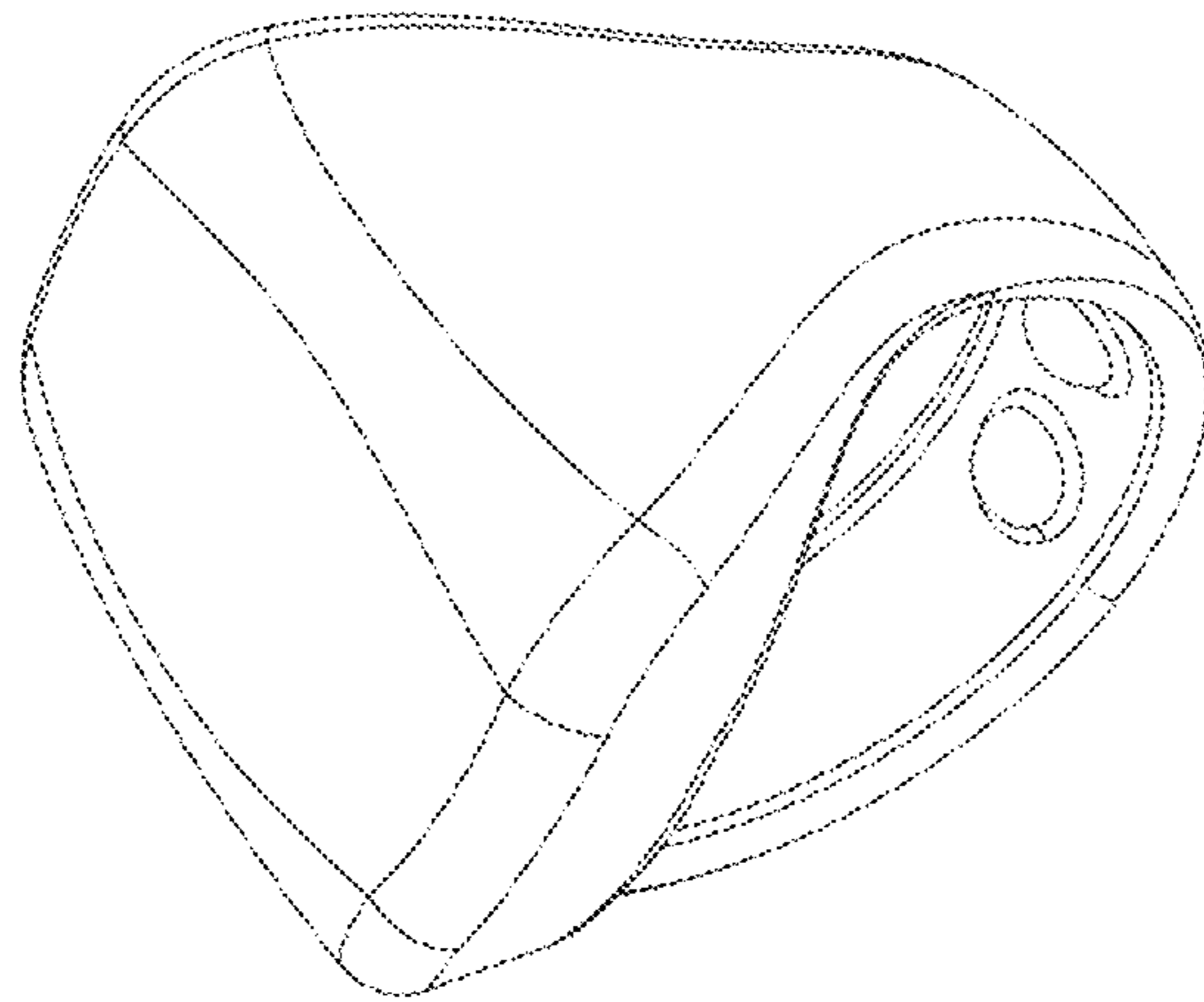


FIG. 15

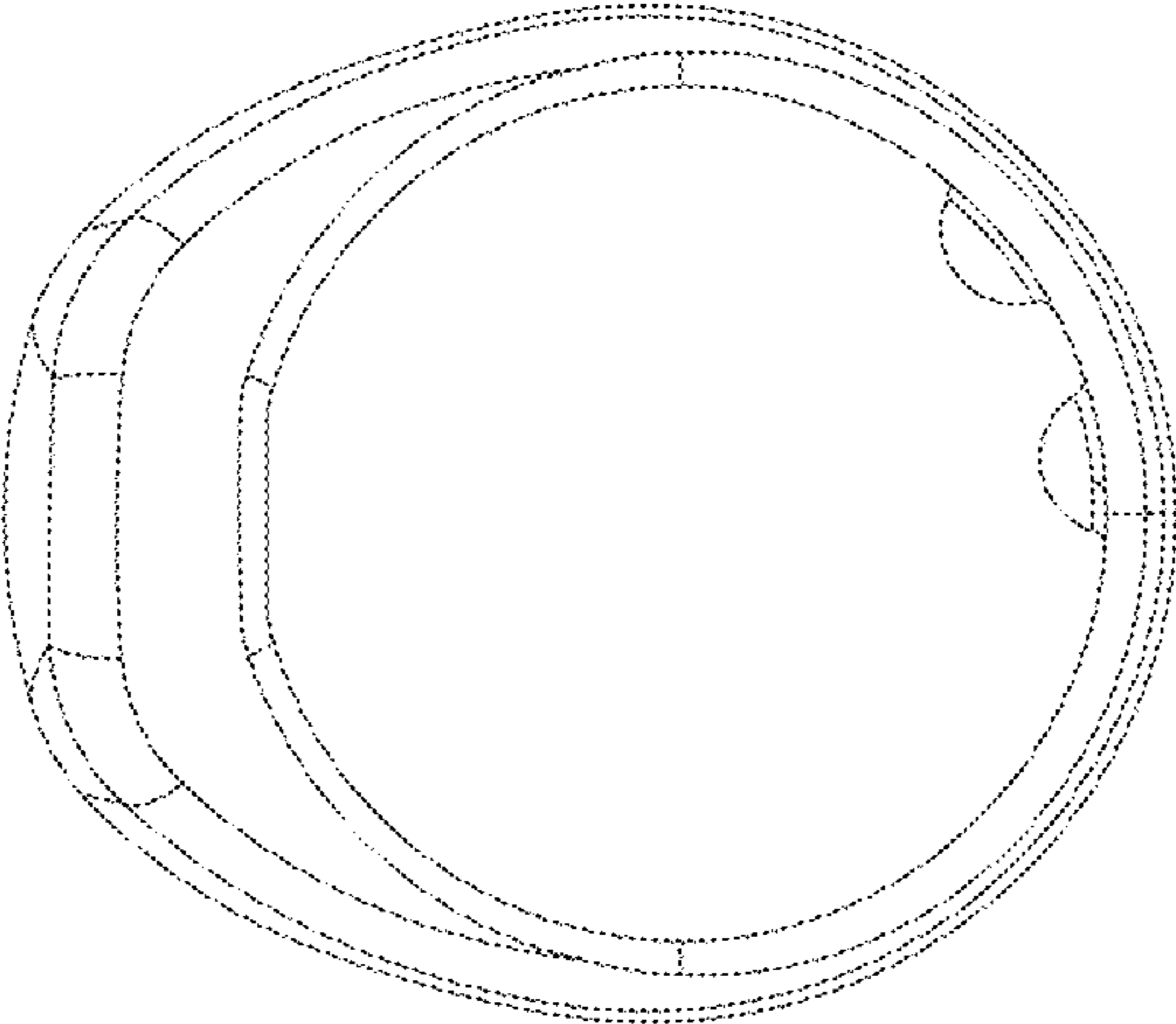


FIG. 16

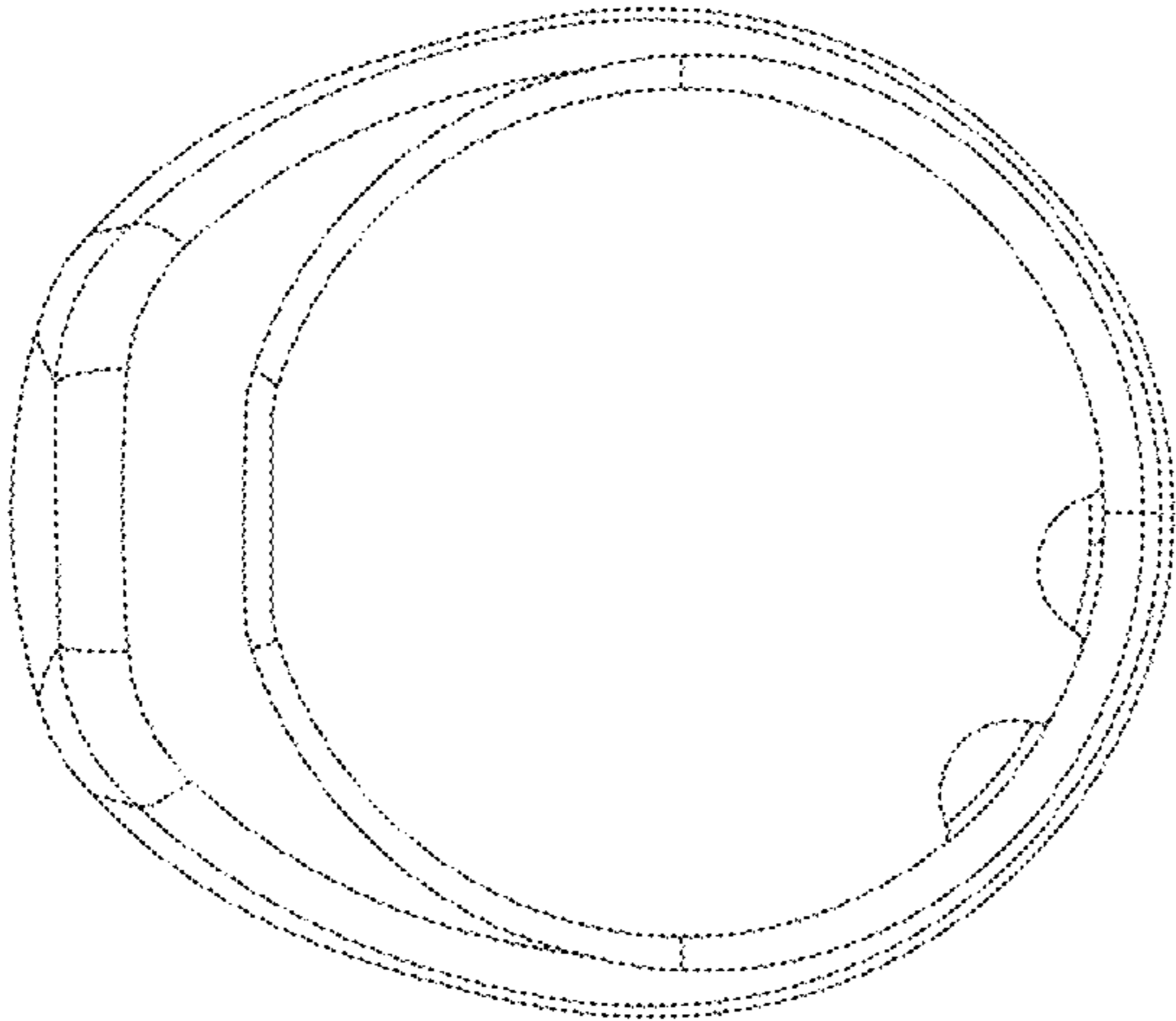


FIG. 17

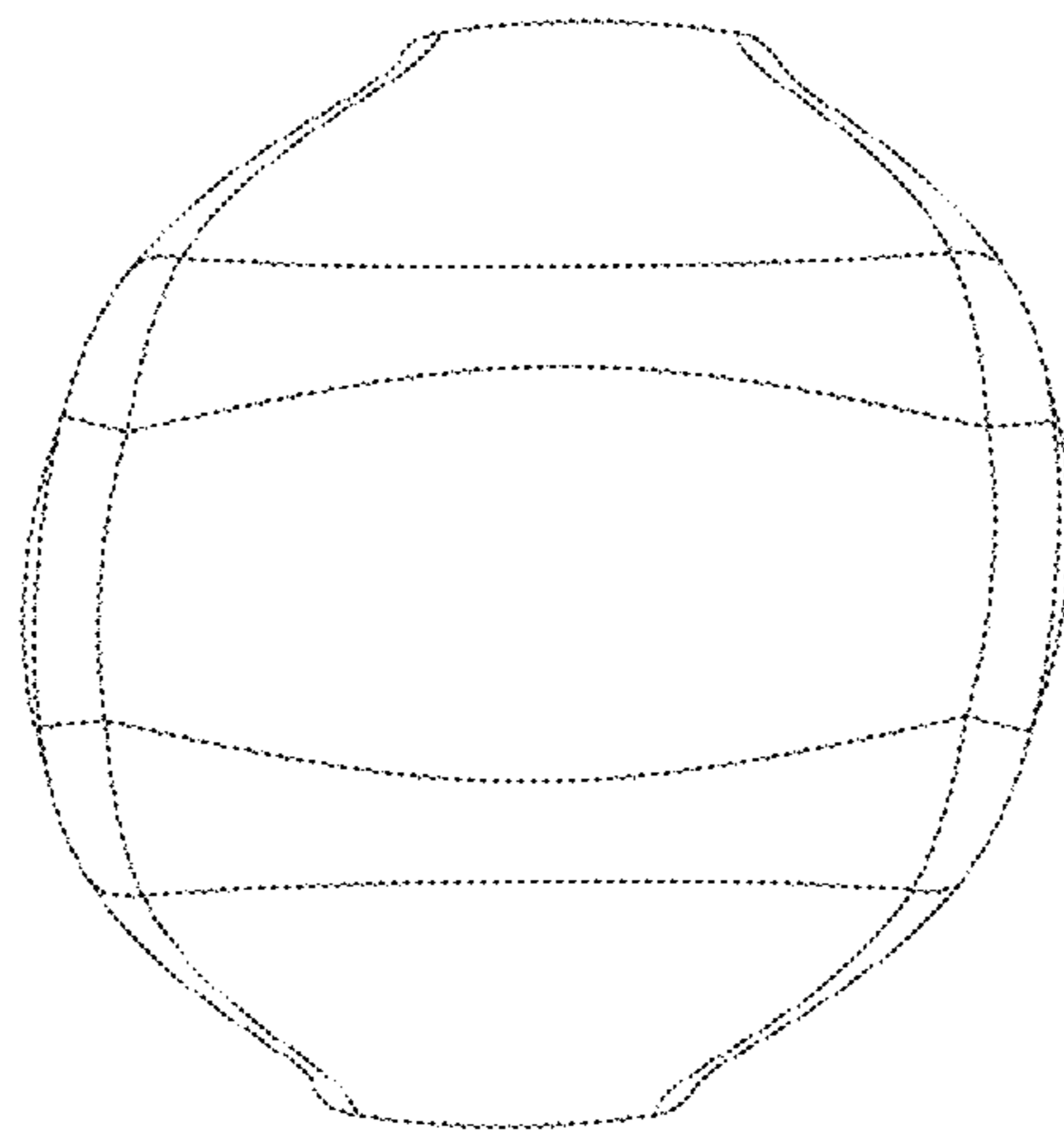


FIG. 18

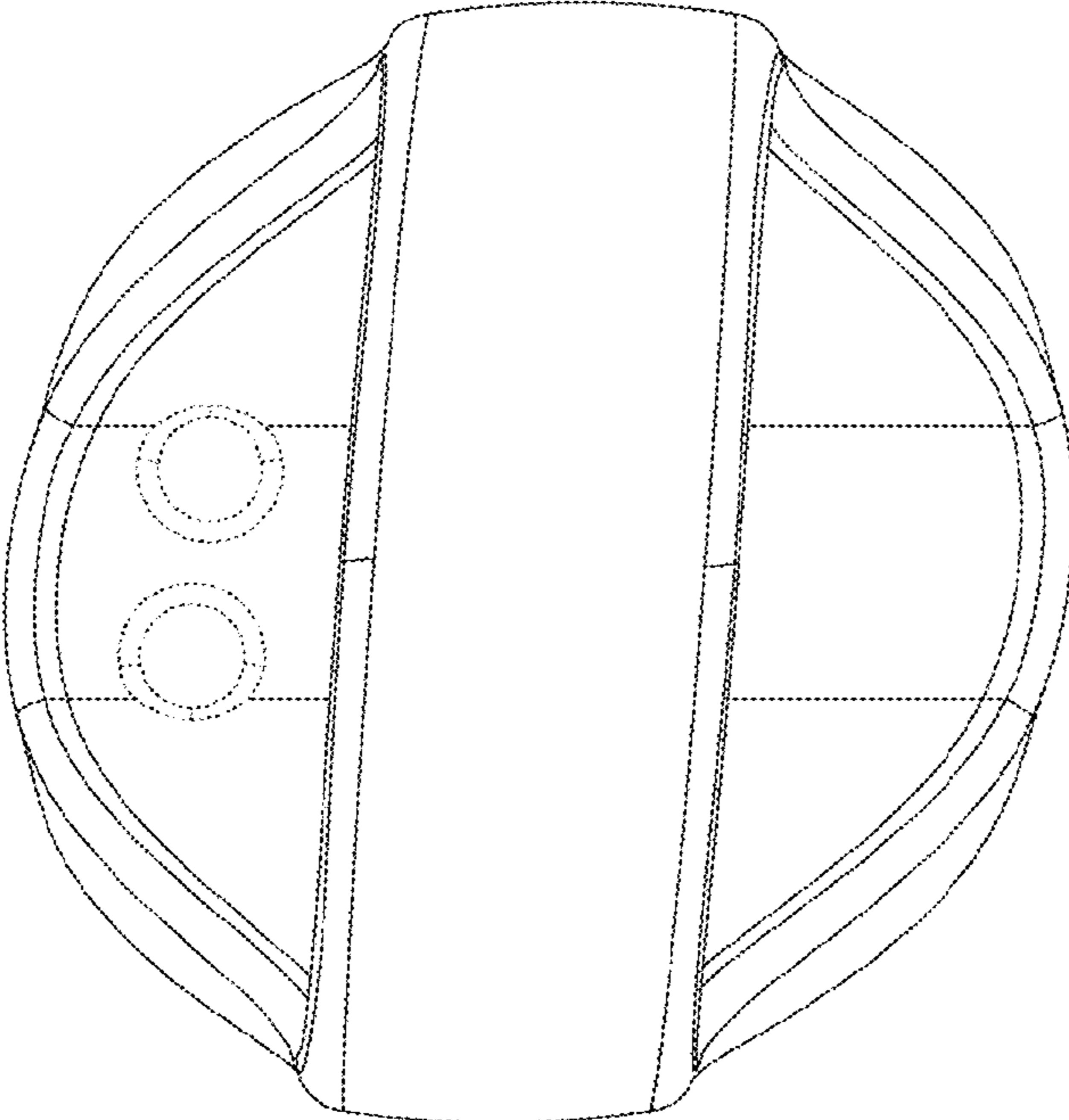


FIG. 19

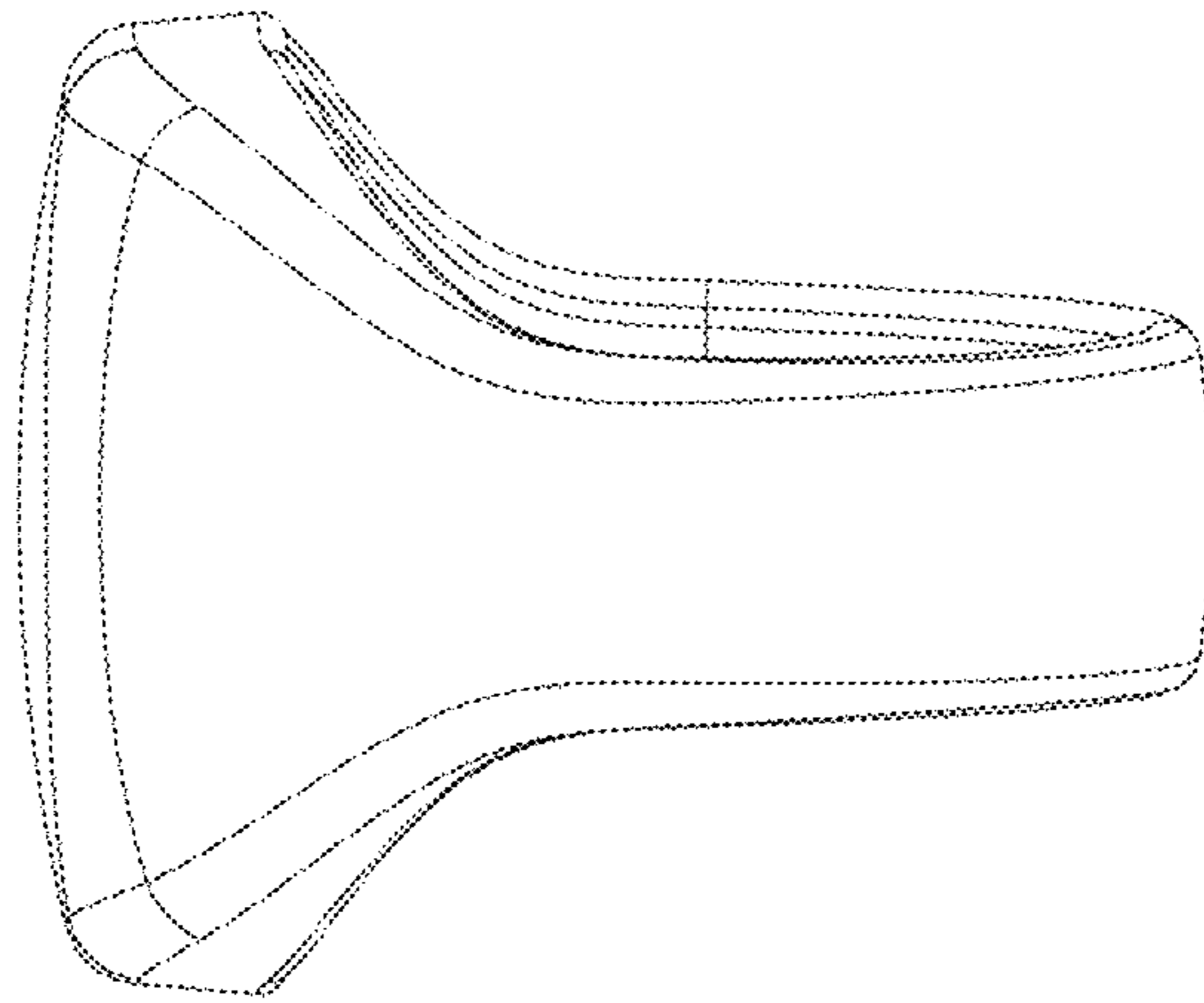


FIG. 20

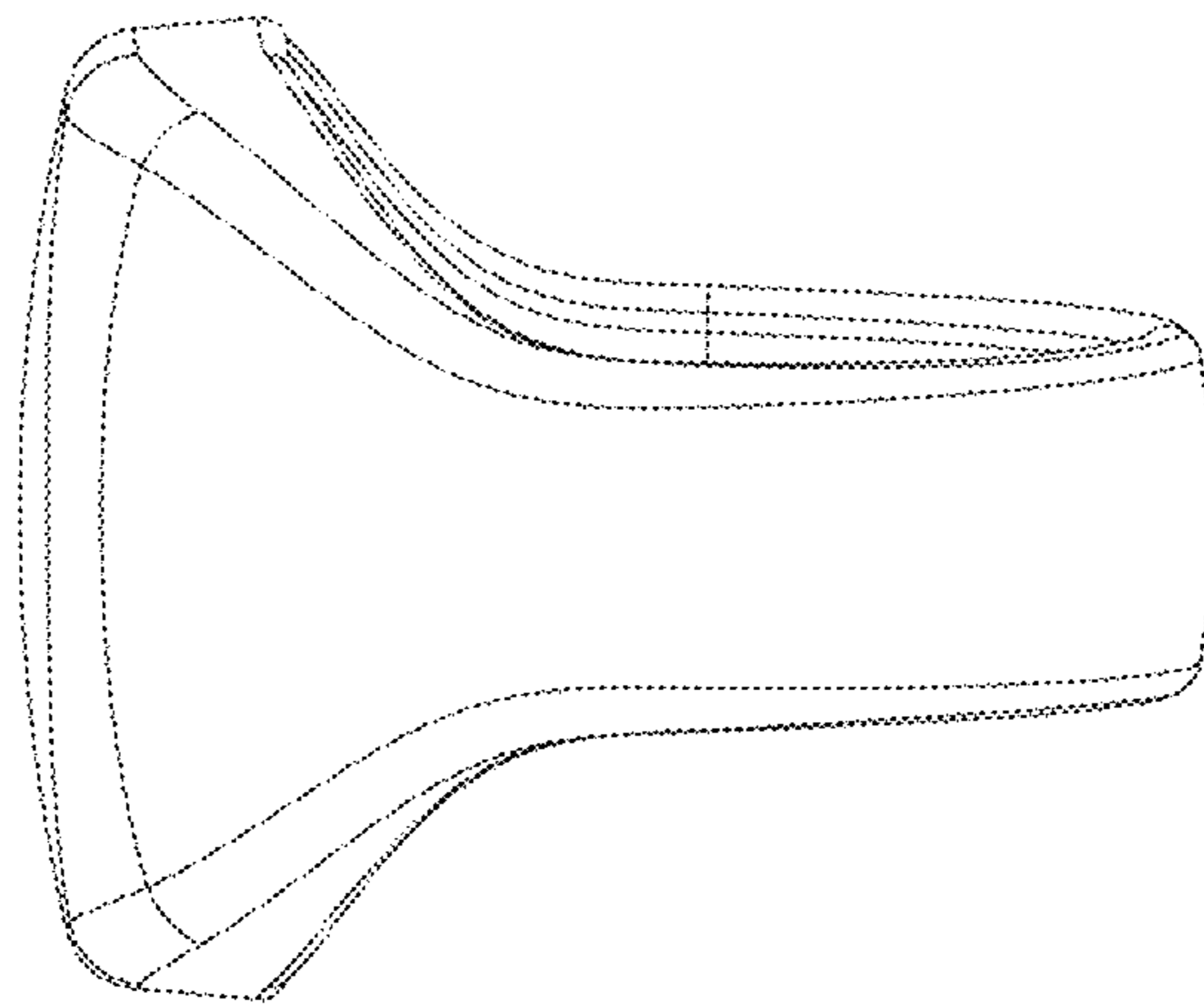


FIG. 21