



US00D811257S

(12) **United States Design Patent** (10) **Patent No.:** **US D811,257 S**
Kalyan (45) **Date of Patent:** **** Feb. 27, 2018**

- (54) **SMOKE DETECTOR COVER**
- (71) Applicant: **Honeywell International Inc.,**
Morristown, NJ (US)
- (72) Inventor: **Vivek Kalyan,** Bangalore (IN)
- (73) Assignee: **HONEYWELL INTERNATIONAL**
INC., Morristown, NJ (US)
- (**) Term: **15 Years**
- (21) Appl. No.: **29/589,737**
- (22) Filed: **Jan. 4, 2017**
- (51) **LOC (11) Cl.** **10-05**
- (52) **U.S. Cl.**
USPC **D10/106.5**
- (58) **Field of Classification Search**
USPC D10/104.1, 106.1, 106.2, 106.3, 106.5
CPC G08B 17/00; G08B 17/06; G08B
17/10-17/12; G08B 17/103; G08B 17/107
See application file for complete search history.

(56) **References Cited**

U.S. PATENT DOCUMENTS

D308,836 S *	6/1990	Fenne	D10/106.5
D339,756 S *	9/1993	Igarashi	D10/106.5
D339,998 S *	10/1993	Igarashi	D10/106.5
D340,201 S *	10/1993	Fenne	D10/106.5
D355,862 S *	2/1995	Tice	D10/106.5
D360,373 S *	7/1995	Tice	D10/106.5
5,486,816 A *	1/1996	Ariga	G08B 17/107 250/574
D377,321 S *	1/1997	Tomizawa	D10/106.5
D391,185 S *	2/1998	Tomizawa	D10/106.5

D435,800 S *	1/2001	Higashi	D10/106.5
D446,741 S *	8/2001	Johnson	D10/106.5
D476,252 S *	6/2003	Runciman	D10/106.5
D485,200 S *	1/2004	Berthold	D10/106.5
D505,632 S *	5/2005	Johnson	D10/106.5
D622,170 S *	8/2010	Cargile	D10/106.5
D651,926 S *	1/2012	Akiyama	D10/106.5
D664,875 S *	8/2012	Sun	D10/106.5
D665,288 S *	8/2012	Sun	D10/106.5
D675,948 S *	2/2013	Kawaguchi	D10/106.5
2015/0030375 A1 *	1/2015	Kawaguchi	G01D 11/30 403/19
2016/0240059 A1 *	8/2016	Stowell	G08B 17/10

* cited by examiner

Primary Examiner — George D. Kirschbaum

Assistant Examiner — Joseph J Kukella

(74) *Attorney, Agent, or Firm* — Husch Blackwell LLP

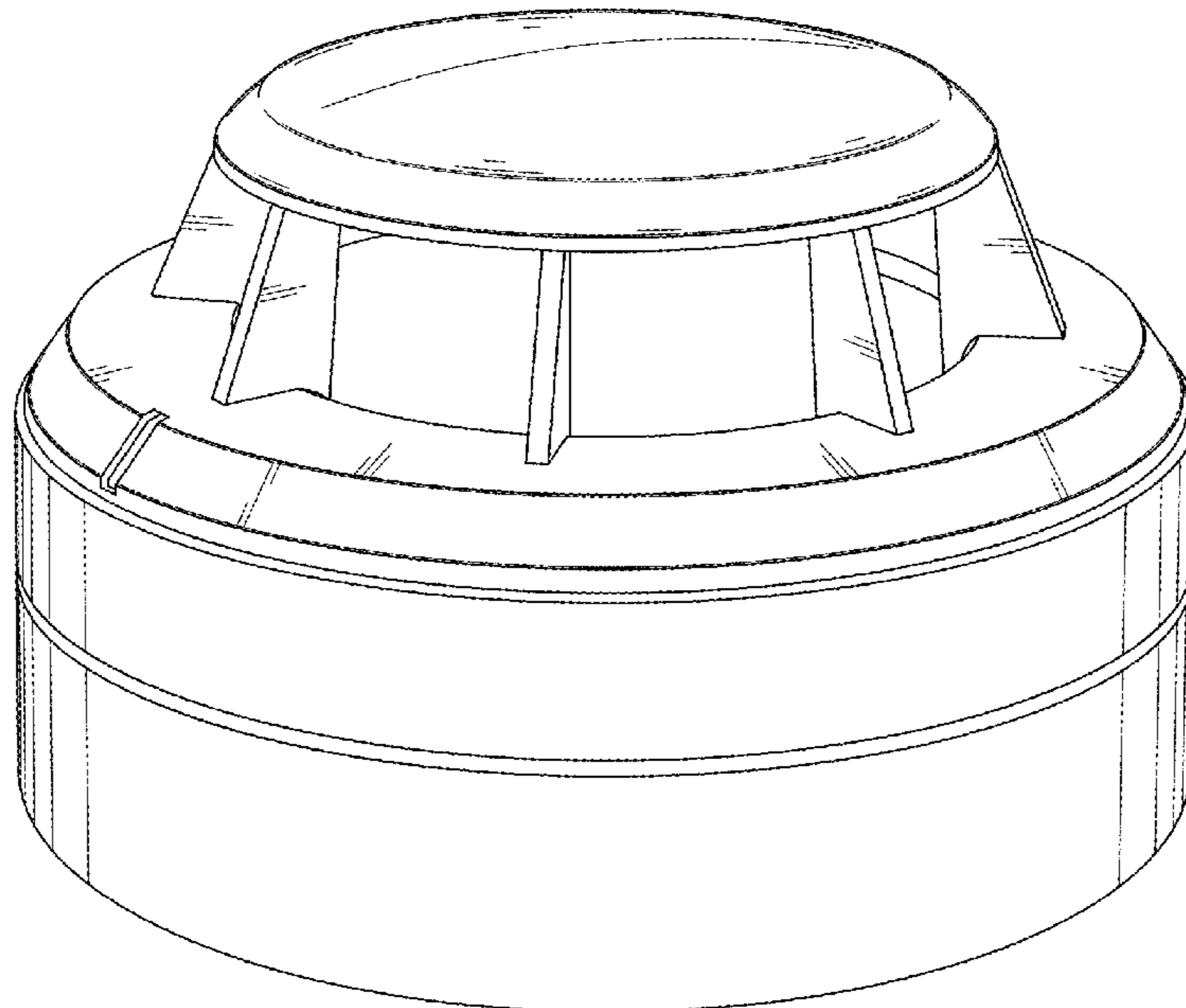
(57) **CLAIM**

The ornamental design for a smoke detector cover, as shown and described.

DESCRIPTION

FIG. 1 is a perspective view of the smoke detector cover. FIG. 2 is a front elevation view thereof. FIG. 3 is a first side elevation view thereof, the opposing side of the smoke detector cover being a mirror image thereof; and, FIG. 4 is a second side elevation view of the smoke detector cover rotated ninety degrees from the view shown in FIG. 3, the opposing side of the smoke detector cover shown in FIG. 4 being a mirror image thereof. The rear view of the smoke detector cover illustrated in FIGS. 1-4 forms no part of the claimed design.

1 Claim, 3 Drawing Sheets



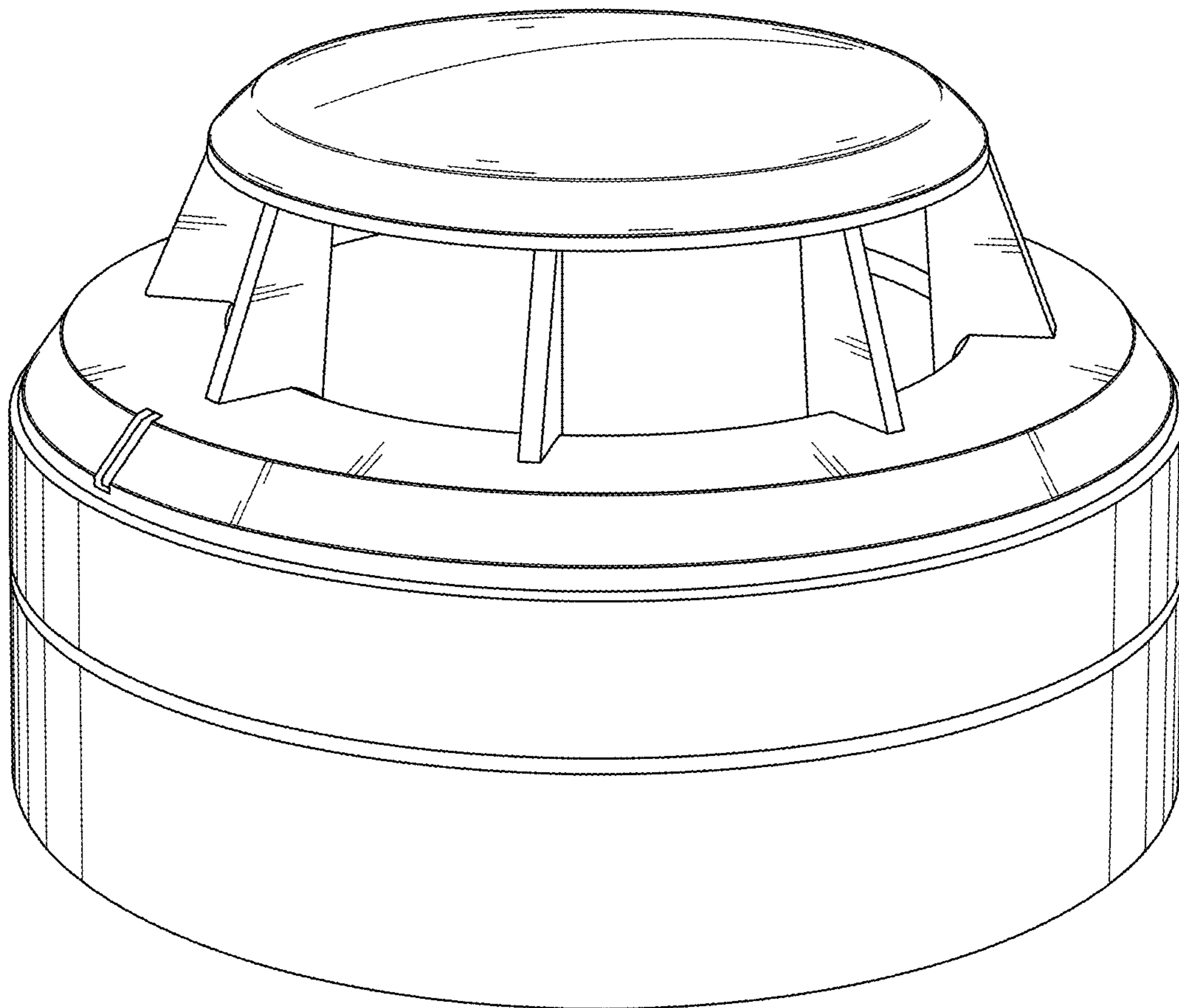


FIG. 1

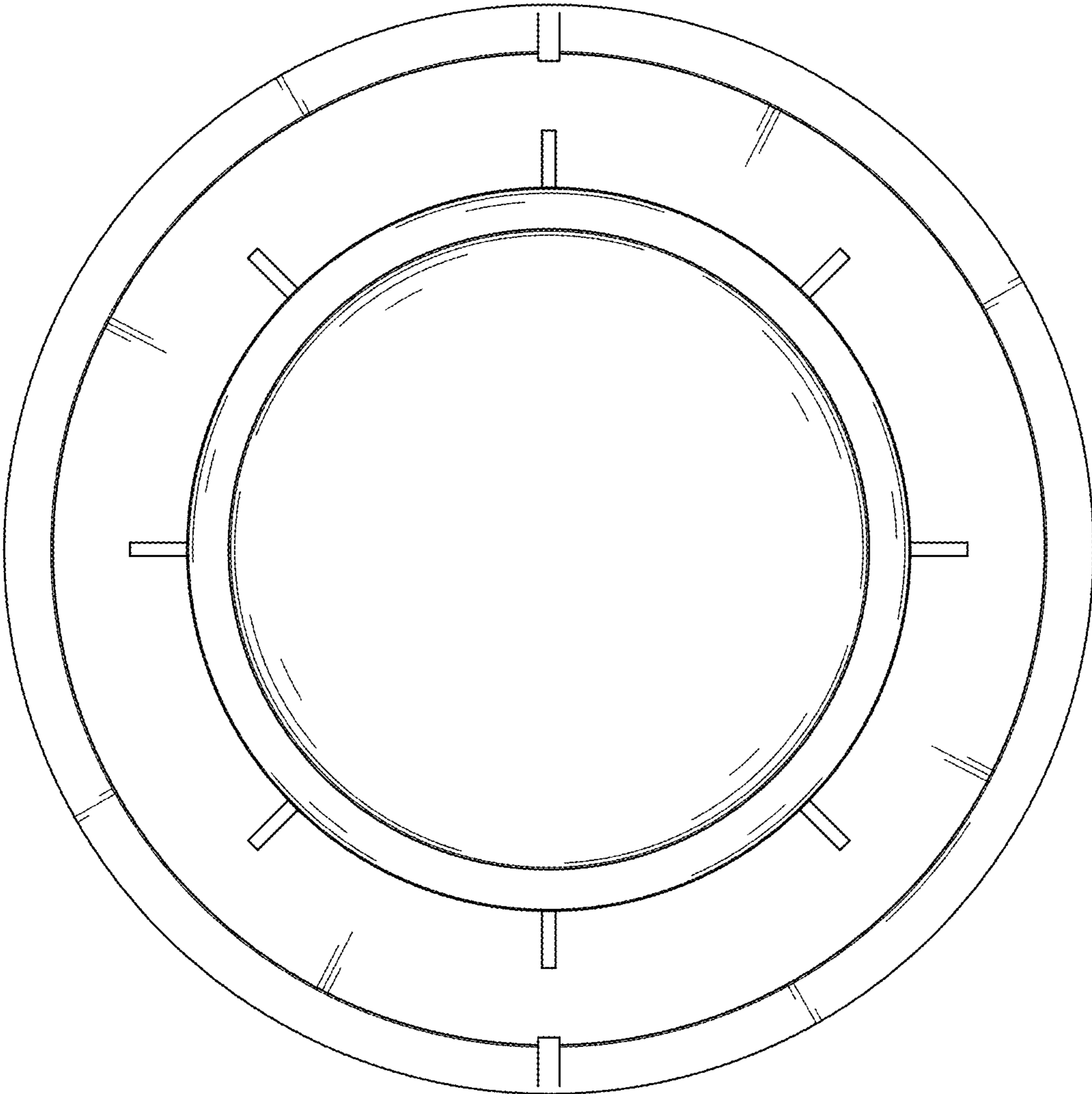


FIG. 2

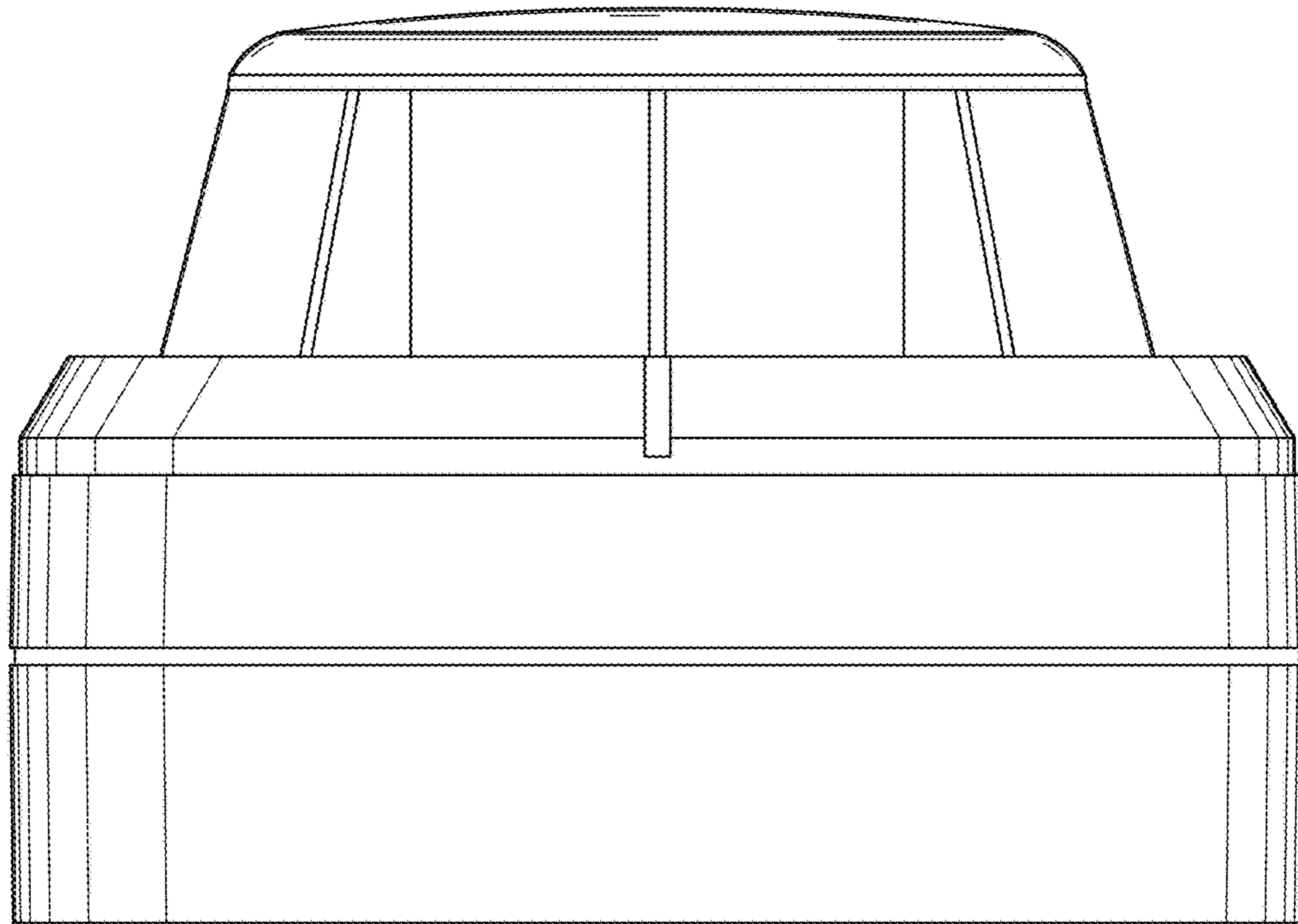


FIG. 3

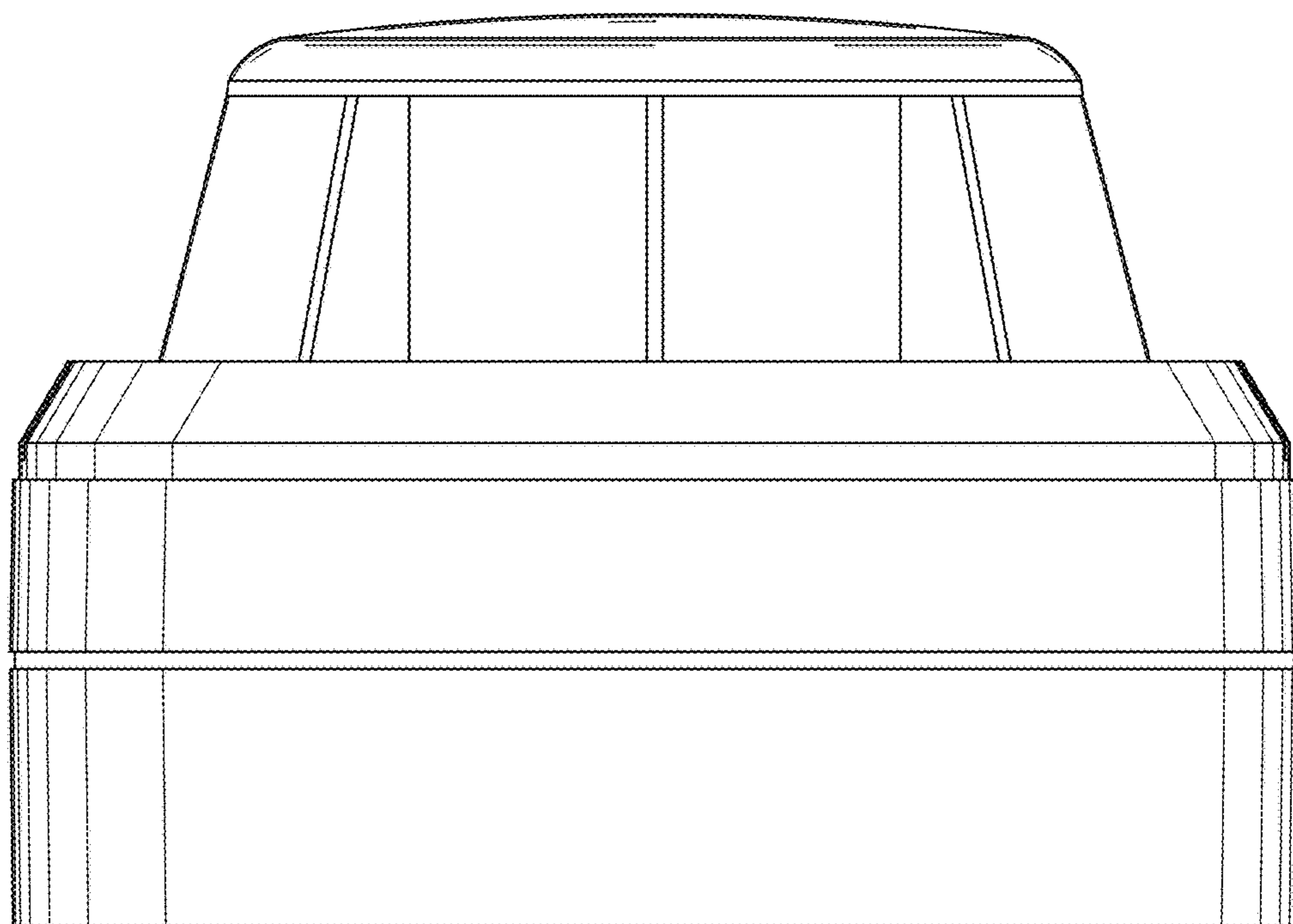


FIG. 4