



US00D811255S

(12) **United States Design Patent** (10) **Patent No.:** **US D811,255 S**
Lee et al. (45) **Date of Patent:** **** Feb. 27, 2018**

(54) **CONTROL BASE FOR COMBINATION DOMESTIC DETECTION DEVICE**

(71) Applicant: **LG ELECTRONICS INC.**, Seoul (KR)

(72) Inventors: **Hophil Lee**, Seoul (KR); **Kyoungjoun Kim**, Seoul (KR); **Jaewon Jeong**, Seoul (KR)

(73) Assignee: **LG Electronics Inc.**, Seoul (KR)

(**) Term: **15 Years**

(21) Appl. No.: **35/502,241**

(22) Filed: **Jul. 6, 2016**

(80) **Hague Agreement Data**

Int. Filing Date: **Jul. 6, 2016**
Int. Reg. No.: **DM/091699**
Int. Reg. Date: **Jul. 6, 2016**
Int. Reg. Pub. Date: **Jan. 6, 2017**

(30) **Foreign Application Priority Data**

May 23, 2016 (KR) 30-2016-0024565

(51) **LOC (11) Cl.** **10-05**

(52) **U.S. Cl.**
USPC **D10/106.3**

(58) **Field of Classification Search**
USPC D10/104, 106.1–106.95, 120; D12/179, D12/415; D13/164; D14/239, 432, 434, D14/439, 440, 447, 451, 452, 457; D6/406.3, 406.4, 406.5, 406.6; D8/363, D8/373, 380
CPC G08B 13/00; G08B 13/08; G08B 23/00; A47B 21/04; A47B 2097/006; A47B 2097/005; A47B 2023/049; A45C 2011/002; A45C 2011/003; F16M 2200/00; F16M 13/00
See application file for complete search history.

(56) **References Cited**

U.S. PATENT DOCUMENTS

D693,353	S	*	11/2013	Shu	D14/447
D707,685	S	*	6/2014	Johnson	D14/447
8,882,062	B2	*	11/2014	Piccolo	A47G 1/14 248/121
RE45,320	E	*	1/2015	Jaffe	G06F 1/1632 361/679.4
D721,073	S	*	1/2015	Alesi	D14/253
D727,329	S	*	4/2015	Johnson	D14/434
D728,254	S	*	5/2015	Karnes-Toth	D6/406.4
D730,090	S	*	5/2015	Christal	D6/675.3

(Continued)

Primary Examiner — Darlington Ly

(74) *Attorney, Agent, or Firm* — Birch, Stewart, Kolasch & Birch, LLP

(57) **CLAIM**

The ornamental design for a control base for combination domestic detection device, as shown and described.

DESCRIPTION

1. Control base for combination domestic detection device

1.1 is a front perspective view of a control base for combination domestic detection device showing our new design;

1.2 is a front elevation view thereof;

1.3 is a rear elevation view thereof;

1.4 is a left side elevation view thereof;

1.5 is a right side elevation view thereof;

1.6 is a top plan view thereof;

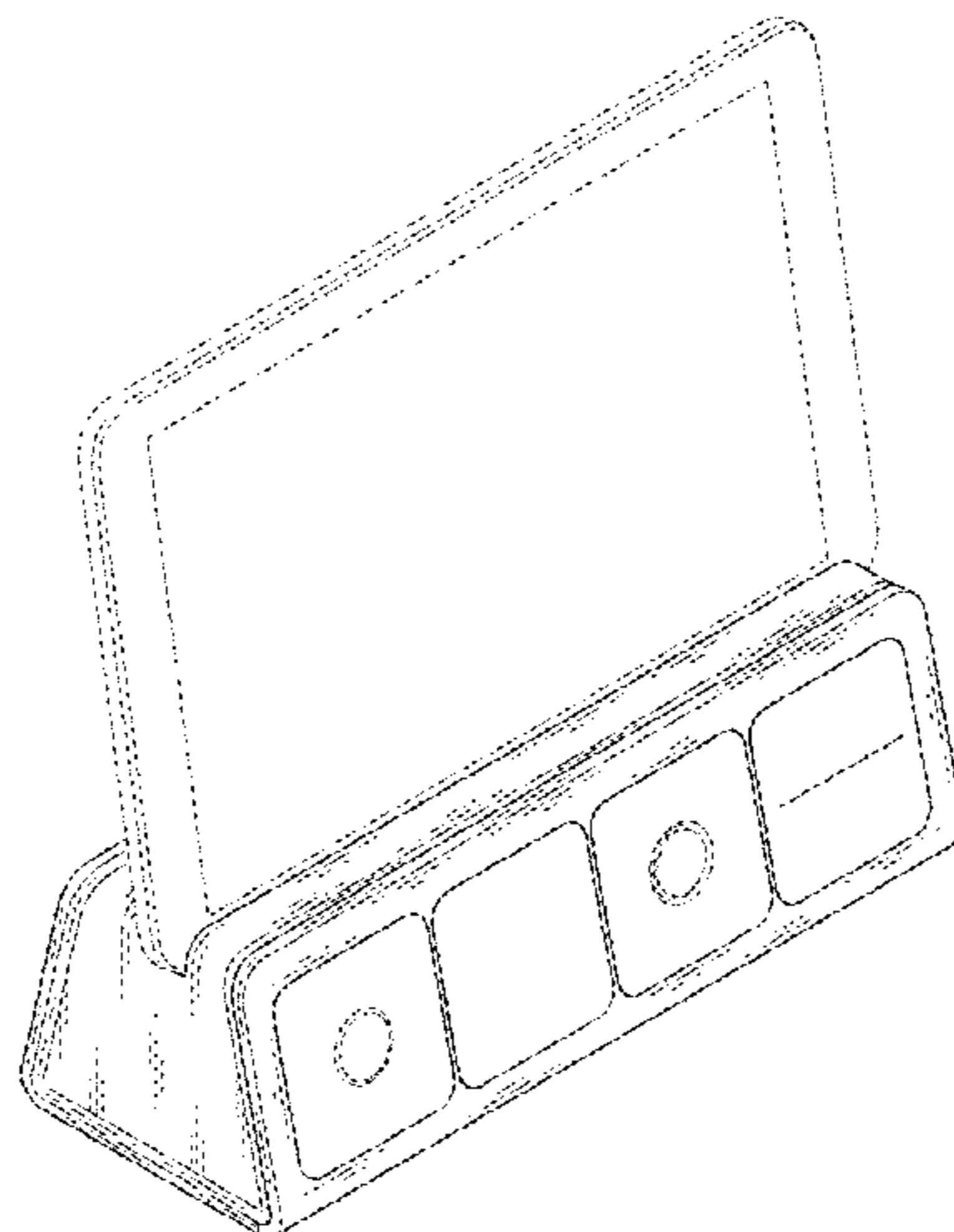
1.7 is a bottom plan view thereof;

1.8 is an exploded front perspective view thereof; and

1.9 is a front perspective view thereof with an exemplary electronic tablet shown docked.

The broken lines in the reproductions illustrate portions of the control base for combination domestic detection device and an exemplary electronic tablet device that form no part of the claimed design.

1 Claim, 9 Drawing Sheets



(56)

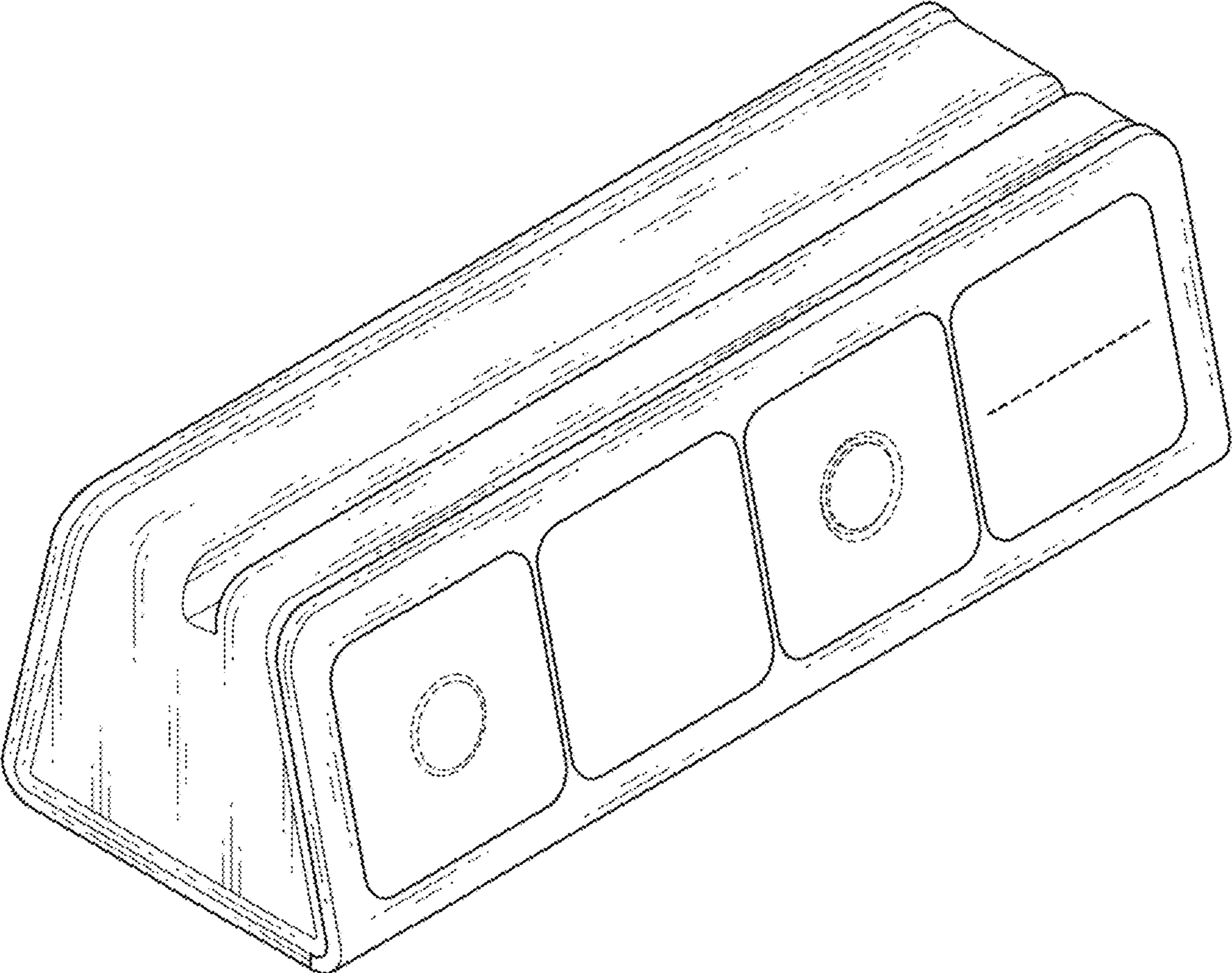
References Cited

U.S. PATENT DOCUMENTS

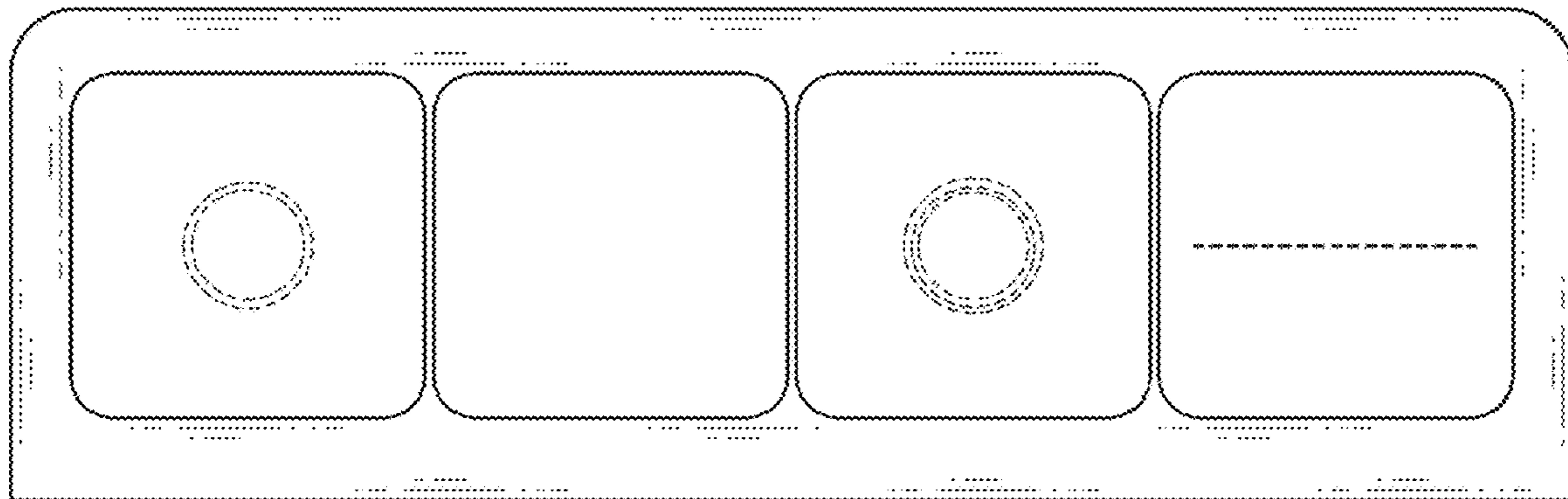
D739,396 S * 9/2015 Wheatley B60R 11/02
D14/253
D741,334 S * 10/2015 Hillenmayer D14/151
D743,924 S * 11/2015 Hillenmayer D14/142
D746,292 S * 12/2015 Heckler D14/447
D756,300 S * 5/2016 Dunn D13/108
9,360,892 B2 * 6/2016 Heckler G06F 1/1633
D771,140 S * 11/2016 Poulheim D14/203.3
9,482,382 B2 * 11/2016 Olsen F16M 11/04
9,560,912 B1 * 2/2017 Chin A47B 23/04
9,605,790 B1 * 3/2017 Alonzo G06F 1/1626
D791,699 S * 7/2017 Watanabe D13/108
D791,778 S * 7/2017 Miniard D14/447
D793,126 S * 8/2017 Small D6/627
D800,734 S * 10/2017 Lewis D14/447
D801,345 S * 10/2017 Kujawski D14/447
D804,490 S * 12/2017 Wei D14/447

* cited by examiner

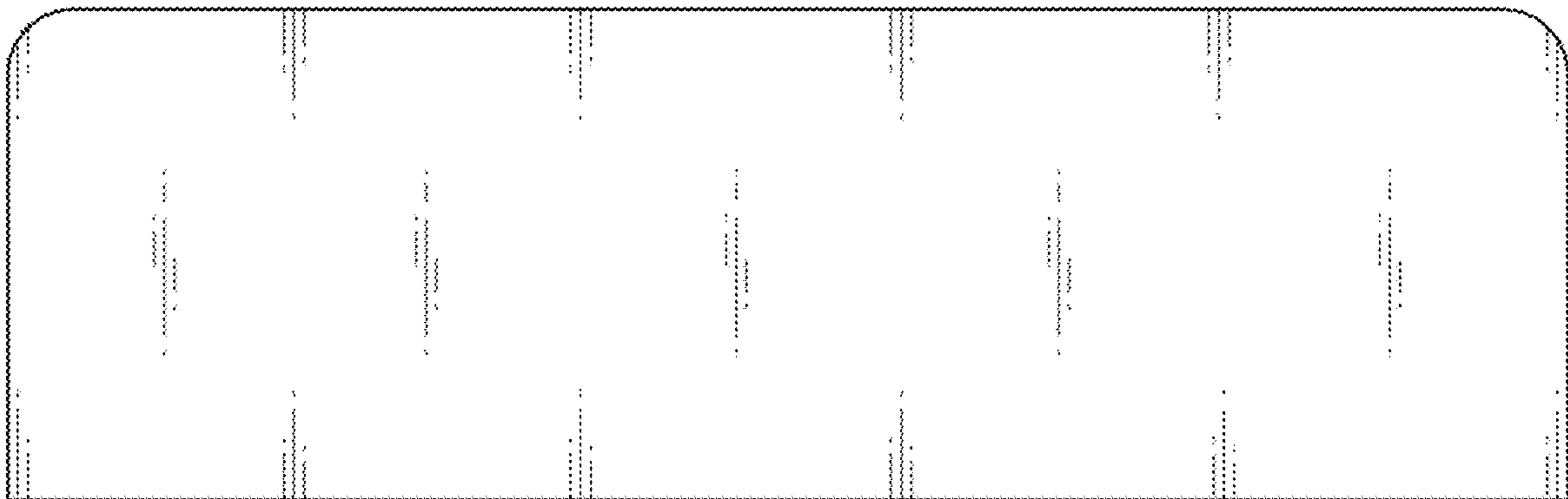
1.1



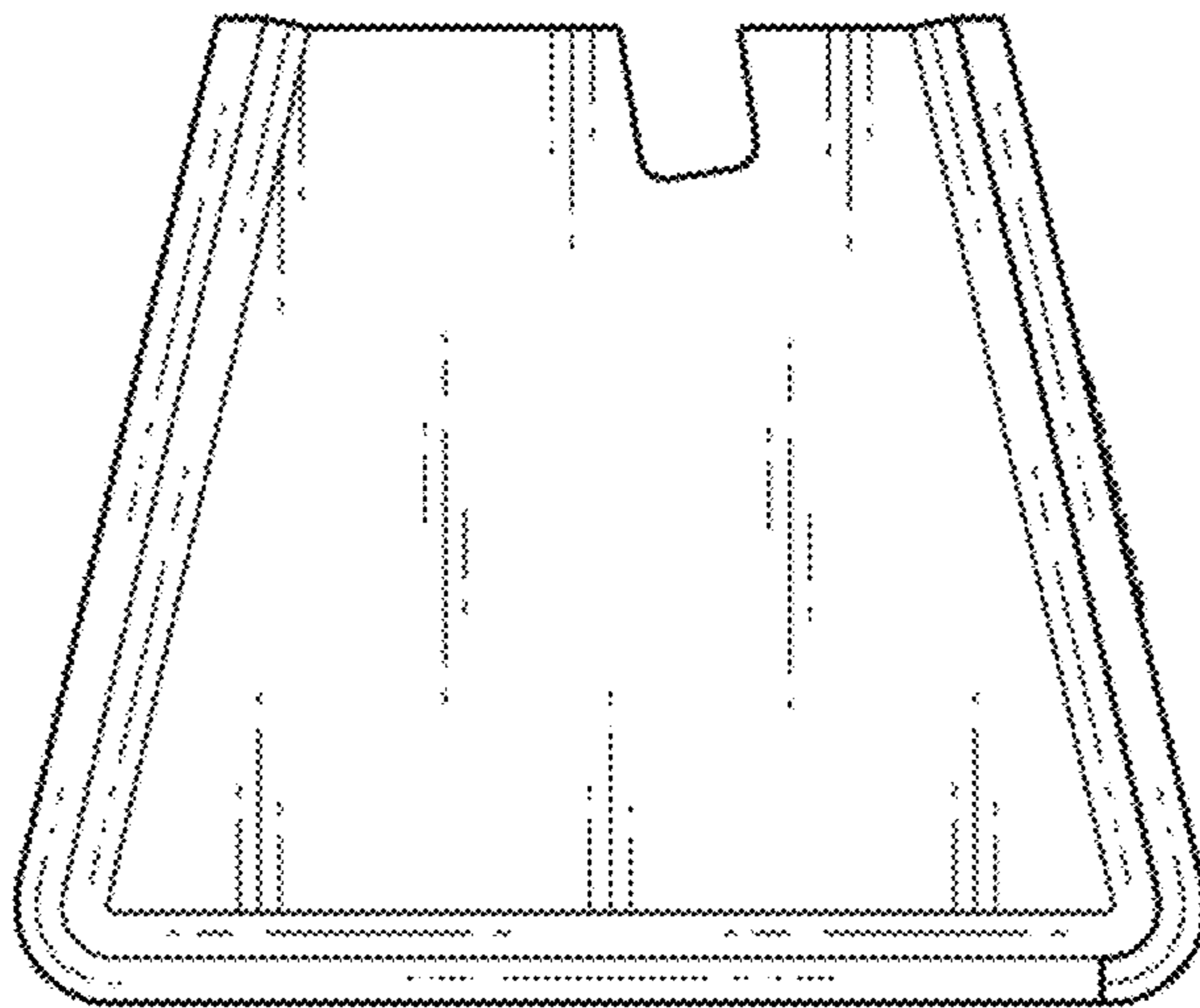
1.2



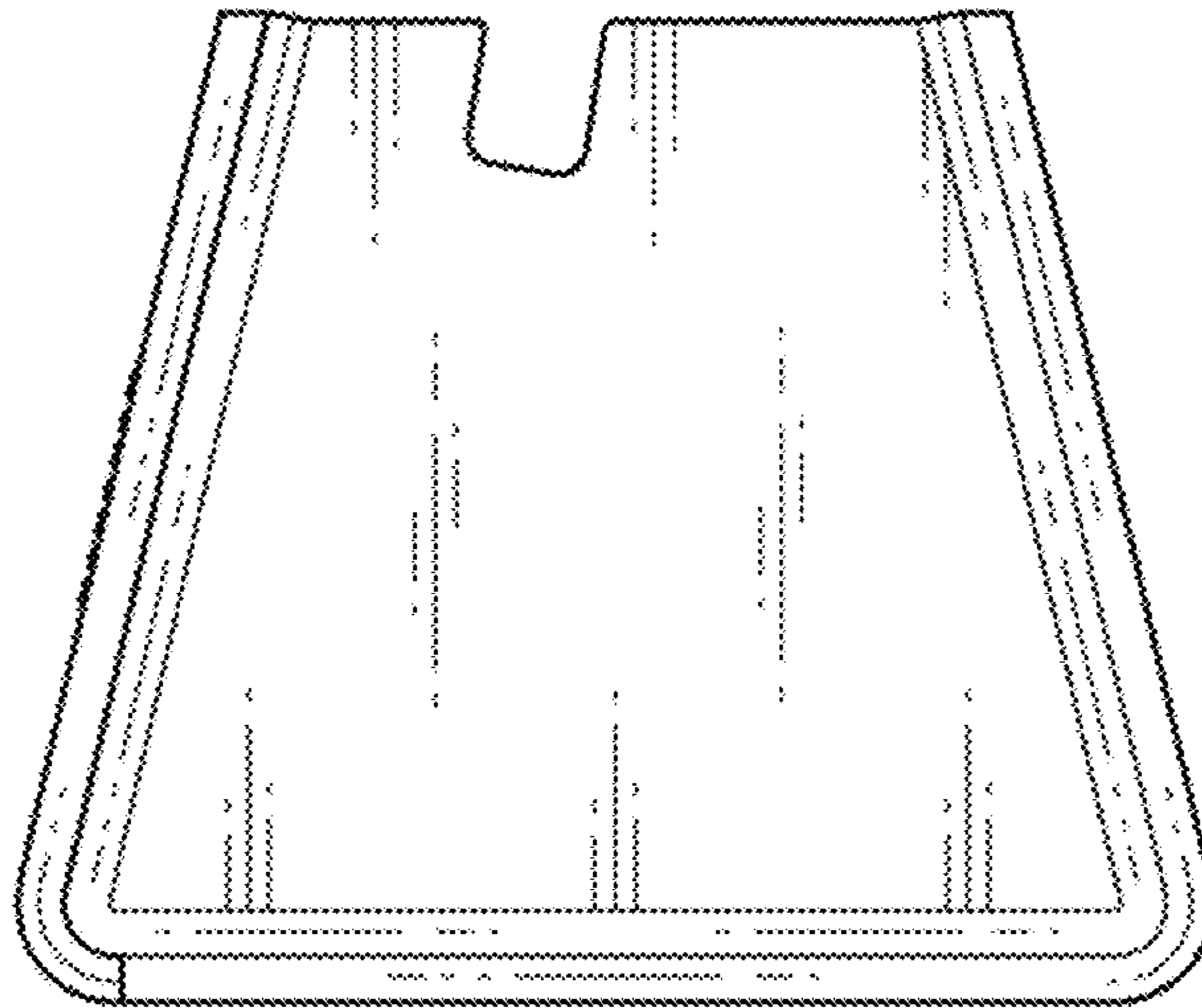
1.3



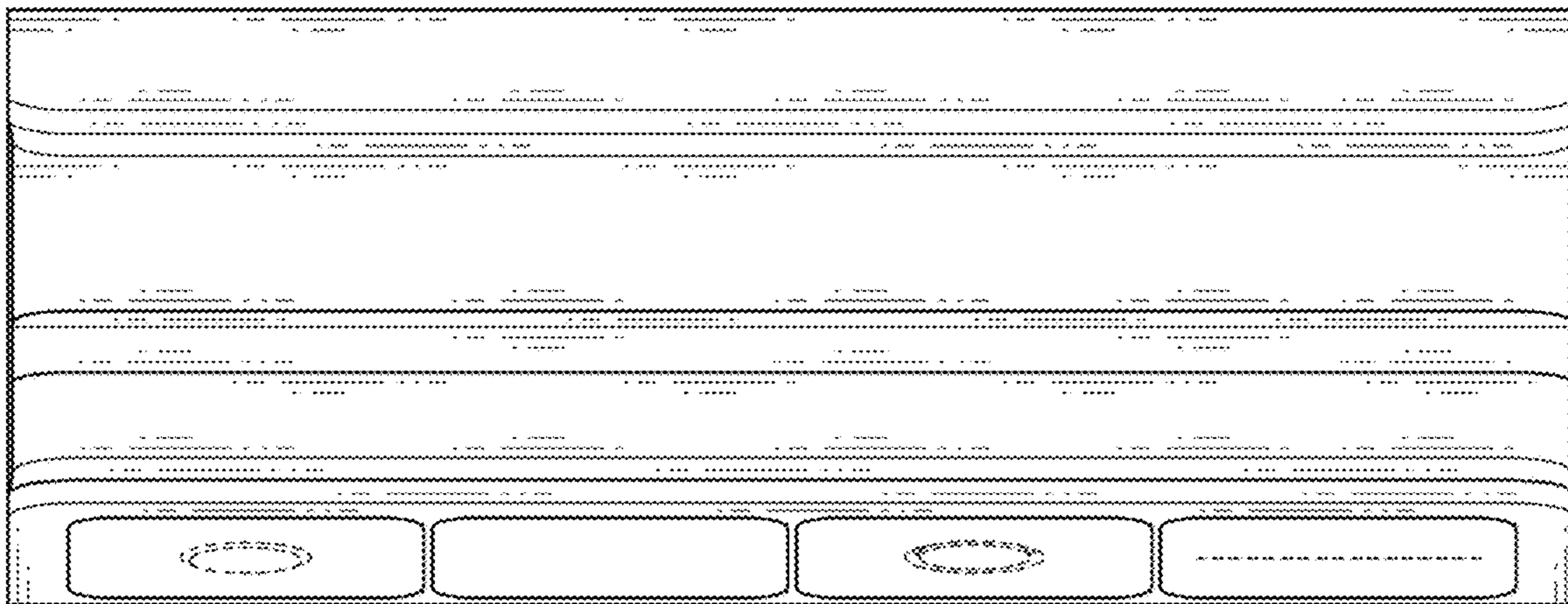
1.4



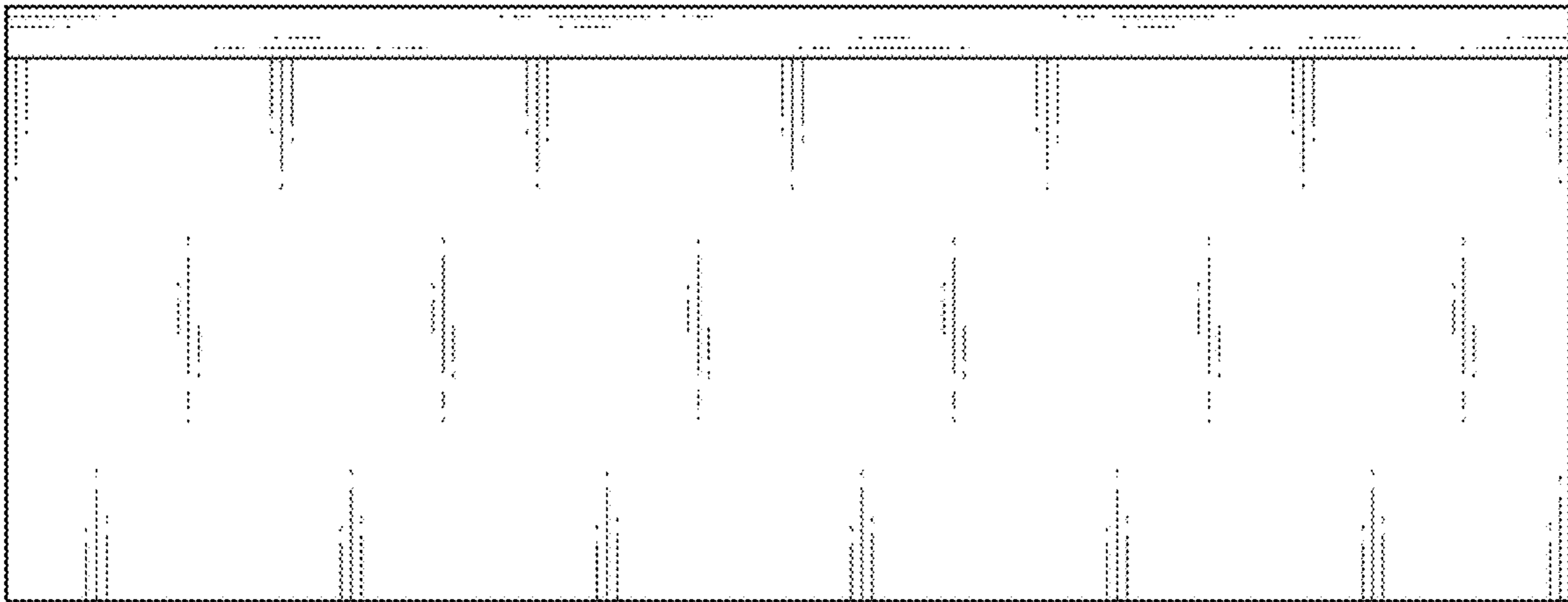
1.5



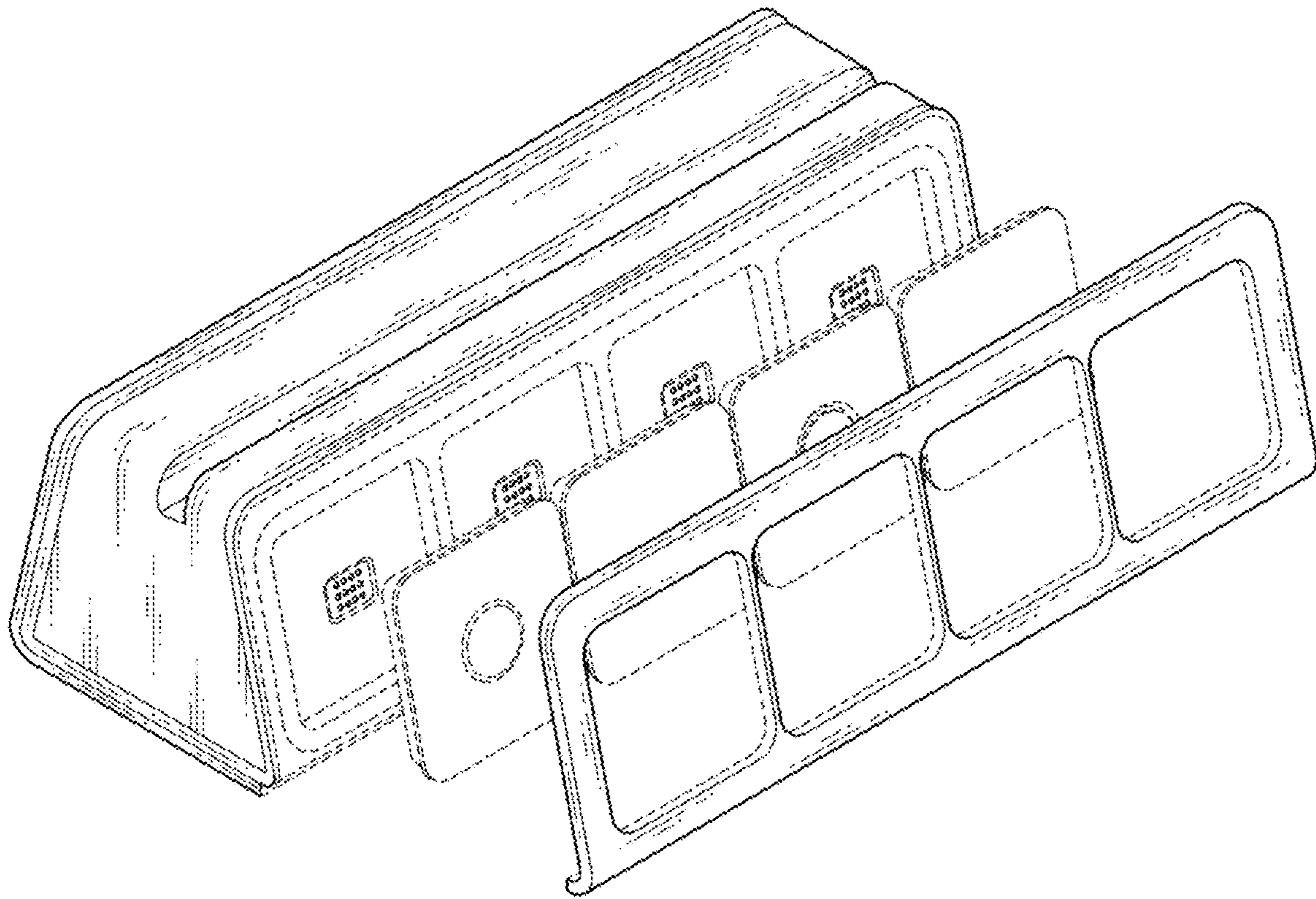
1.6



1.7



1.8



1.9

