



US00D811252S

(12) **United States Design Patent**  
**Boyer**

(10) **Patent No.:** **US D811,252 S**  
(45) **Date of Patent:** **\*\* Feb. 27, 2018**

(54) **GAS PRESSURE REGULATOR**

(71) Applicant: **Victor Equipment Company**, Denton, TX (US)

(72) Inventor: **Robert Boyer**, Flower Mound, TX (US)

(73) Assignee: **Victor Equipment Company**, Denton, TX (US)

(\*\*) Term: **15 Years**

(21) Appl. No.: **29/577,757**

(22) Filed: **Sep. 15, 2016**

(51) **LOC (11) Cl.** ..... **10-04**

(52) **U.S. Cl.**  
USPC ..... **D10/85; D23/235**

(58) **Field of Classification Search**

USPC ..... D10/49, 85; D23/235  
CPC ..... G05G 1/12; F17C 13/04; F17C 2201/00;  
F17C 2201/01; F17C 2203/00; F17C 2205/01; F17C 2205/00; F17C 2205/0338; F17C 2205/0388; F17C 2205/0394; F17C 2205/0397; F17C 2250/043; B60C 23/0408; B60C 23/0494; G01L 7/043; G01L 7/00-7/24; G01L 13/00-13/06; G01L 15/00; G01L 17/00-17/005; G01L 19/00-19/16; G01L 23/00-23/32; G01L 27/00-23/02; G05D 16/00-16/2093; G05D 7/00-7/0694; G05D 11/00-11/16; G05D 13/00-13/66; G05D 23/00-23/32

See application file for complete search history.

(56) **References Cited**

**U.S. PATENT DOCUMENTS**

D674,469 S \* 1/2013 Boyer ..... D23/235  
D706,661 S 6/2014 Boyer

8,869,822 B2 10/2014 Boyer  
9,027,591 B2 5/2015 Boyer  
9,080,727 B2 7/2015 Boyer  
9,109,753 B2 8/2015 Boyer  
9,151,450 B2 10/2015 Boyer

**OTHER PUBLICATIONS**

Smoothflo(tm), Technical Overview, Smoothflo Premium Regulator, Linde Industrial Gases, Sep. 14, 2016, [http://www.lindegas.com/en/products\\_and\\_supply/welding\\_safety\\_products/gas\\_equipment/index/smoothflo\\_regulators/index.html](http://www.lindegas.com/en/products_and_supply/welding_safety_products/gas_equipment/index/smoothflo_regulators/index.html).

\* cited by examiner

*Primary Examiner* — Antoine Duval Davis

(74) *Attorney, Agent, or Firm* — Edell, Shapiro & Finnan, LLC

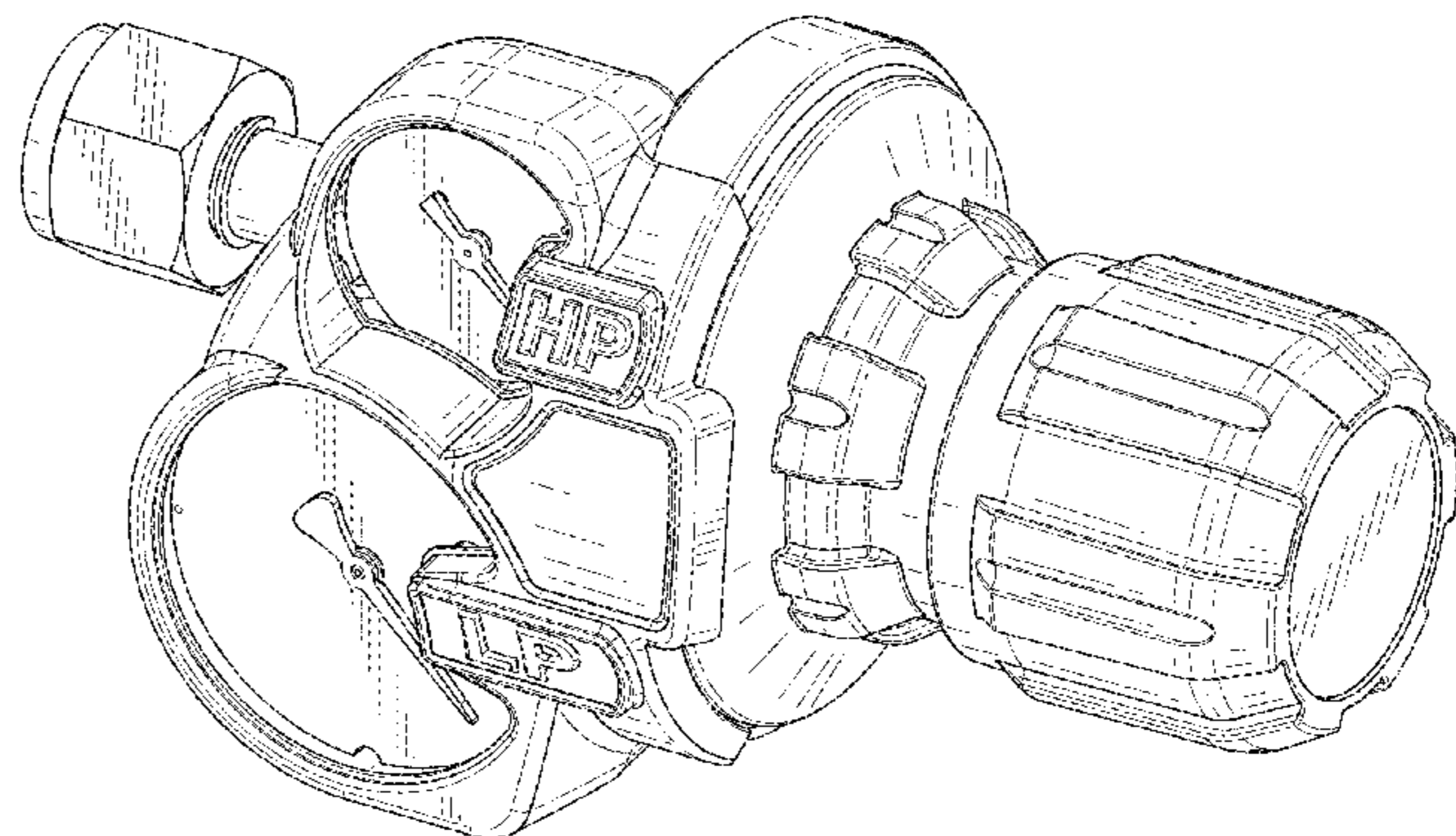
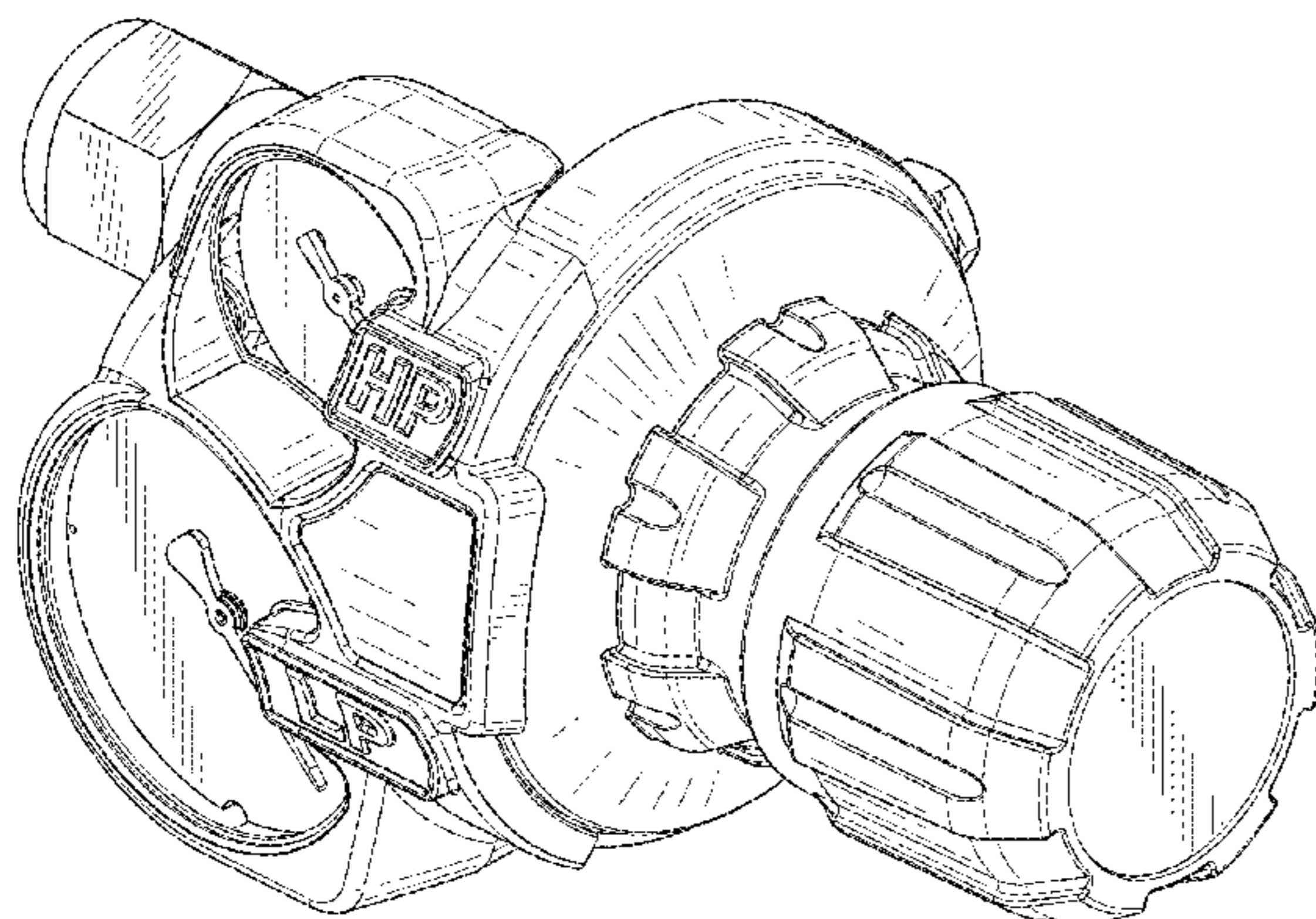
(57) **CLAIM**

The ornamental design for a gas pressure regulator, as shown and described.

**DESCRIPTION**

FIG. 1 is an isometric view of our new design; FIG. 2 is a front view of the design of FIG. 1; FIG. 3 is a side view of the design of FIG. 1; FIG. 4 is a top view of the design of FIG. 1; FIG. 5 is a bottom view of the design of FIG. 1; FIG. 6 is a rear end view of the design of FIG. 1; FIG. 7 is another isometric view of the design of FIG. 1; and, FIG. 8 is another isometric view of the design of FIG. 1. The broken lines illustrate the environmental structure and form no part of the claimed design.

**1 Claim, 8 Drawing Sheets**



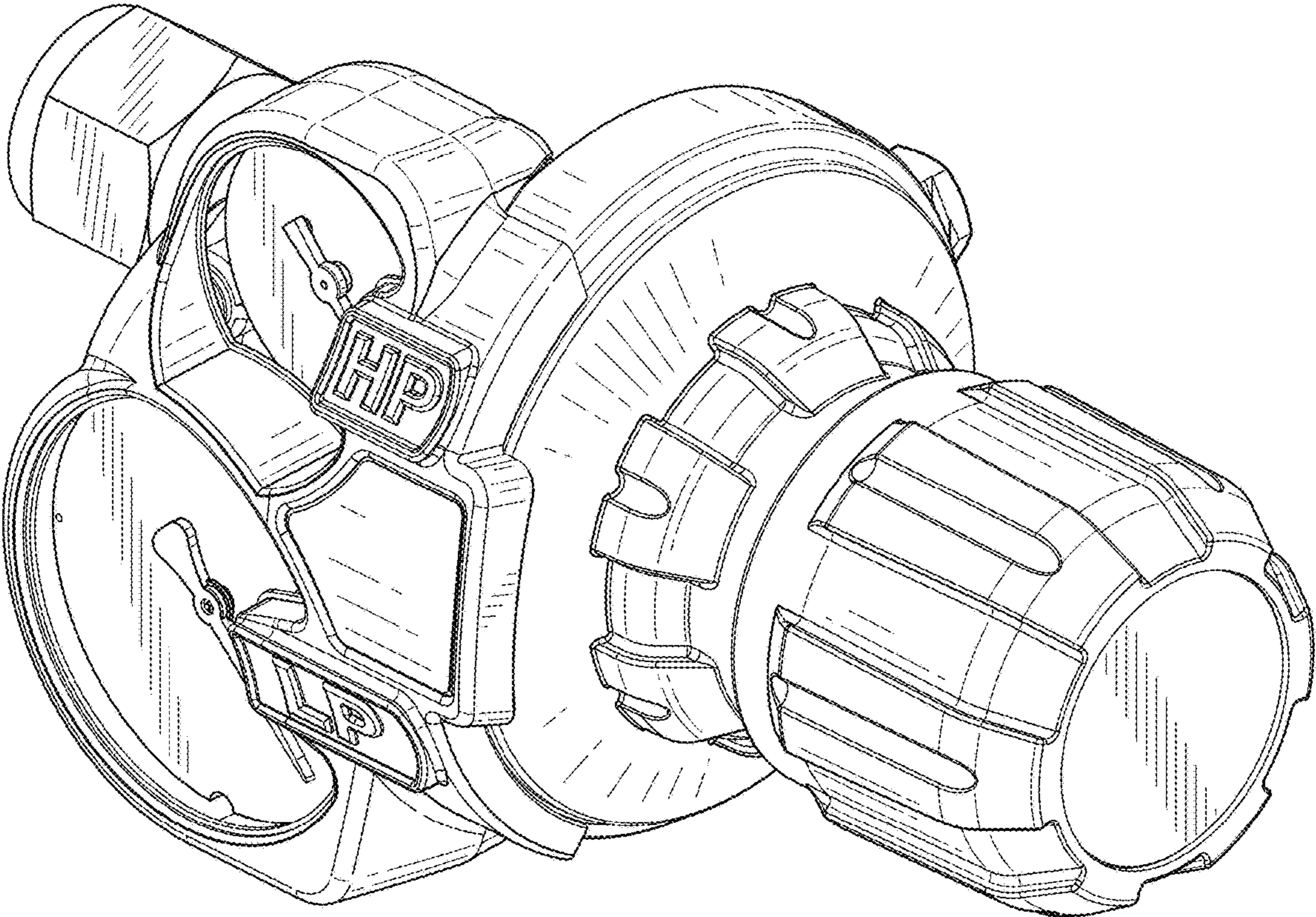


FIG. 1



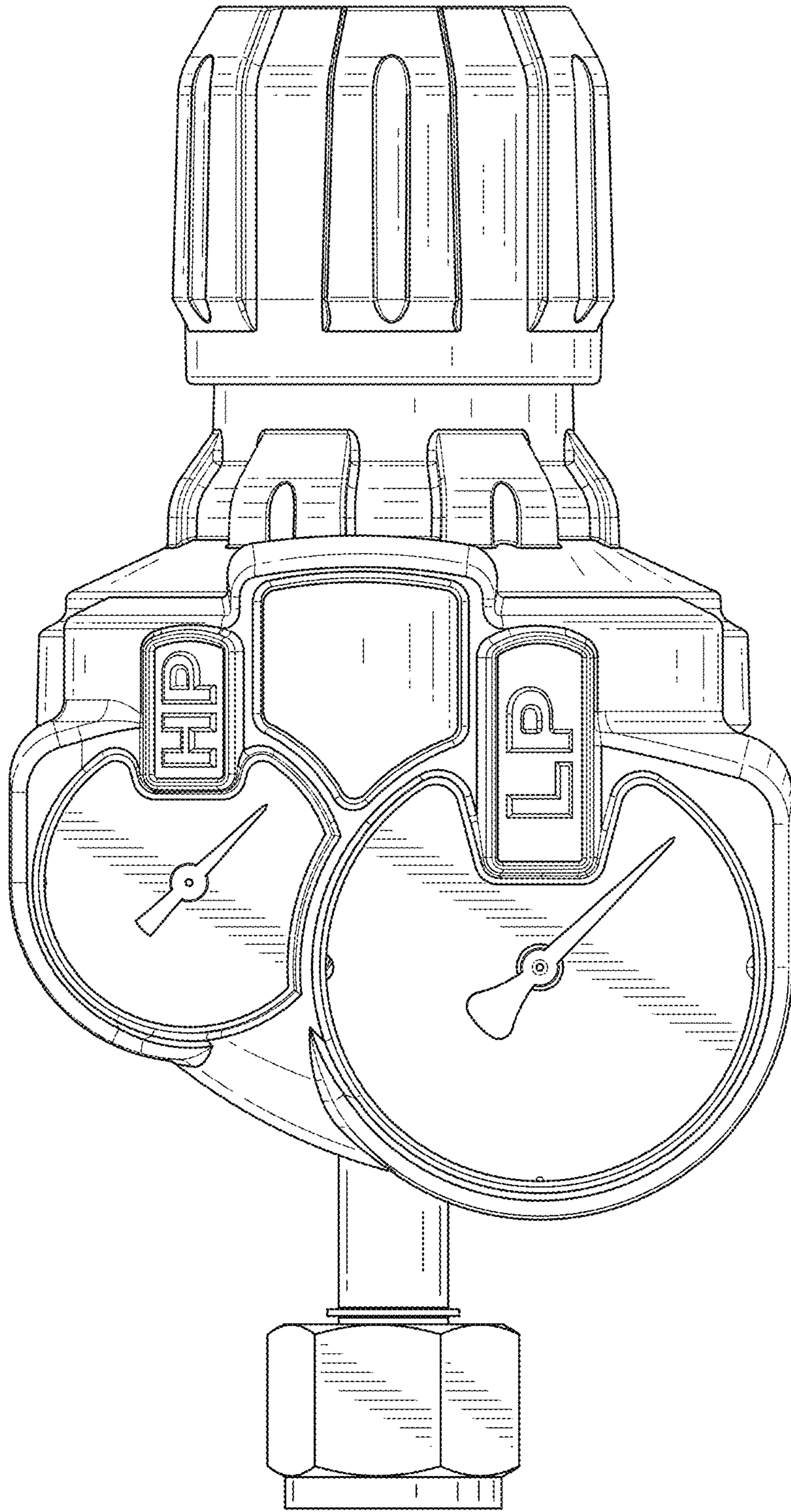


FIG. 2

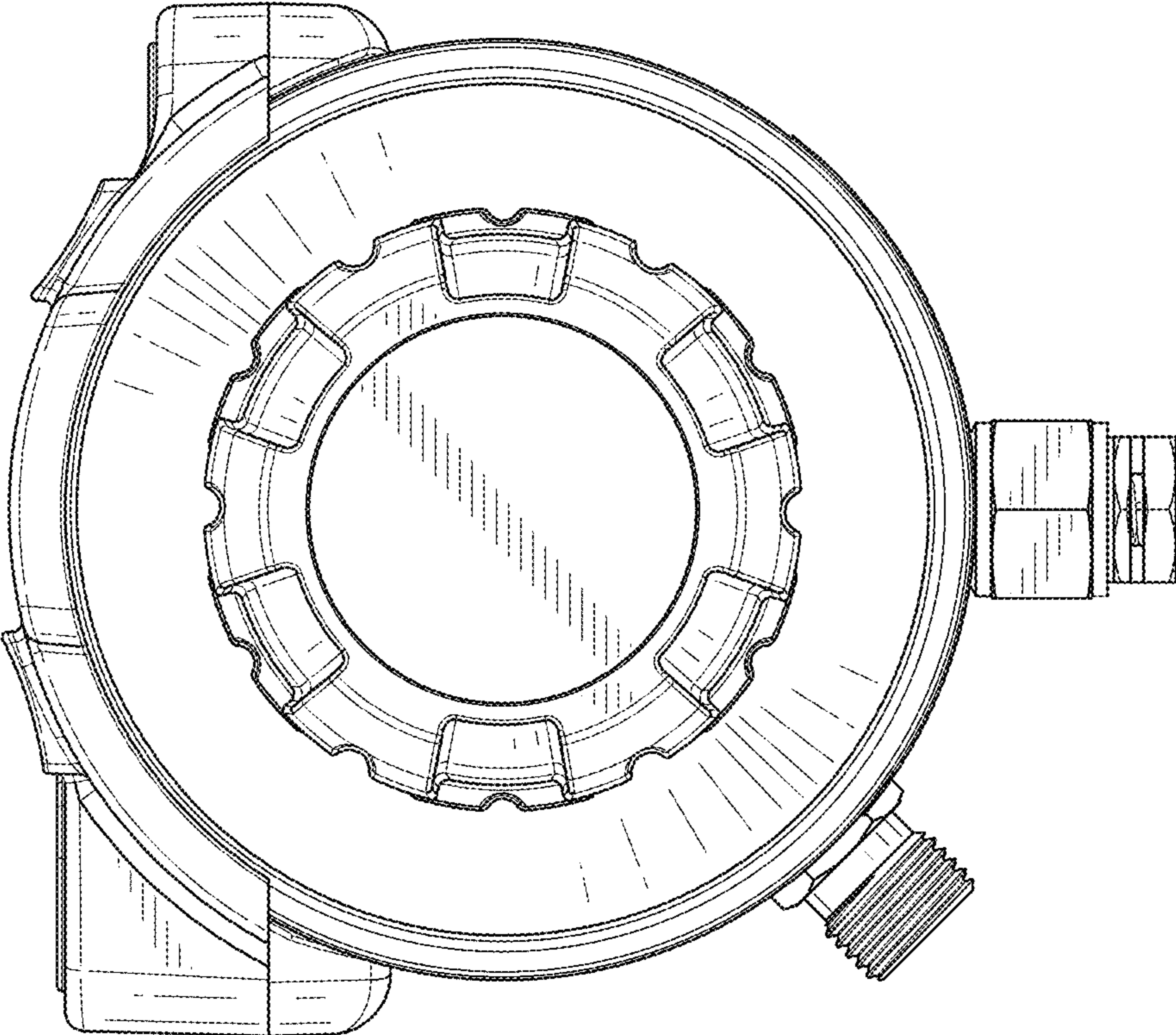


FIG. 3

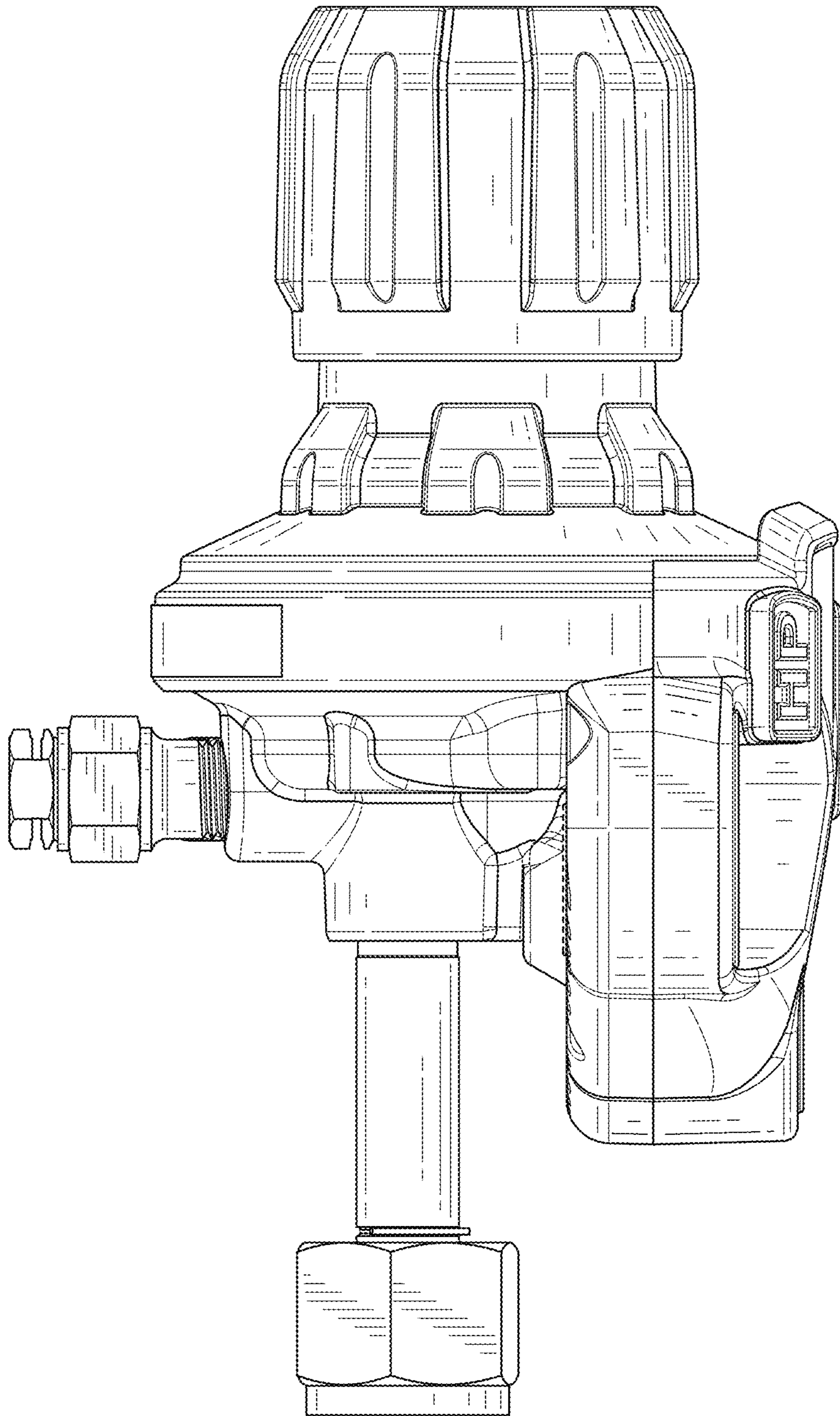


FIG. 4



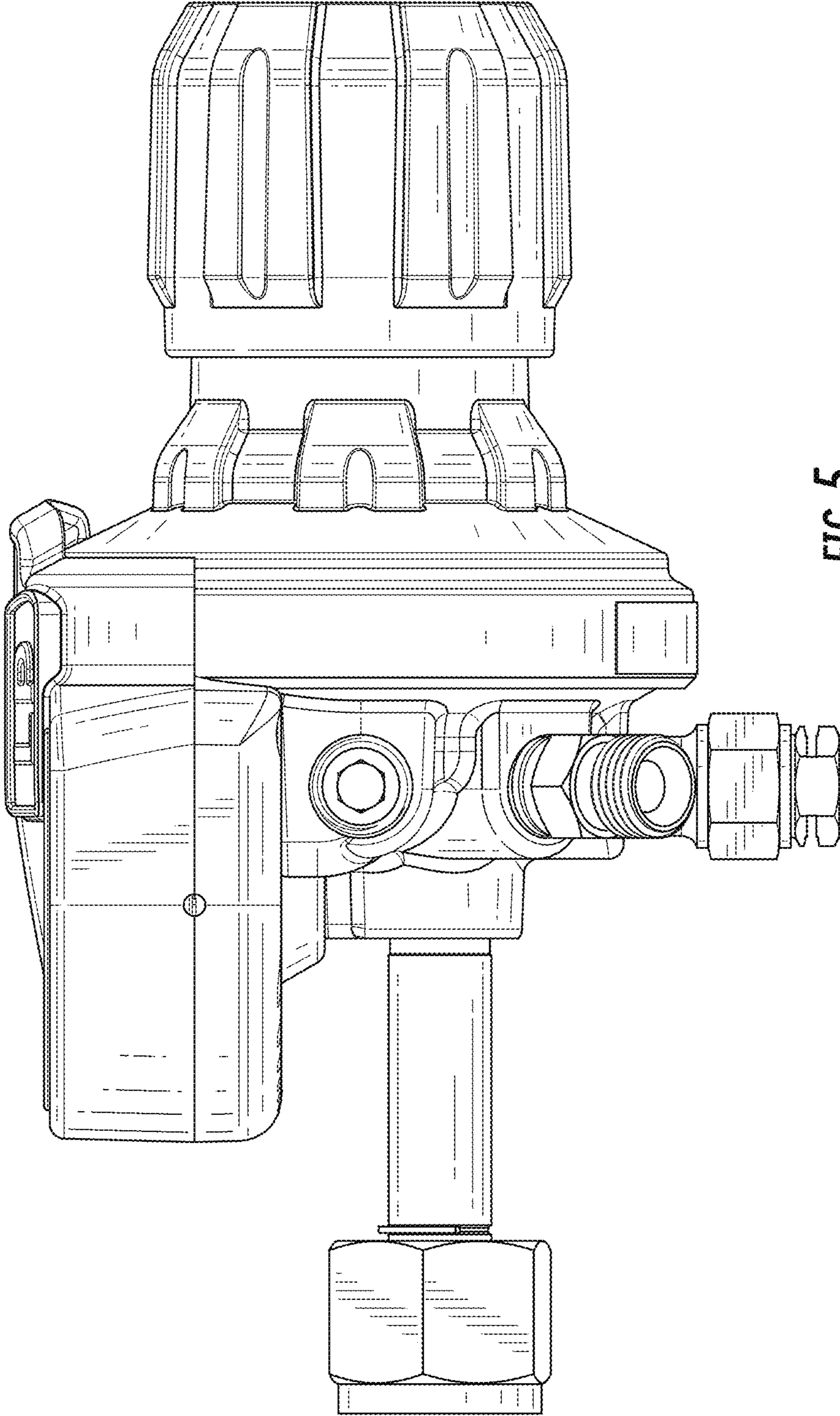


FIG. 5

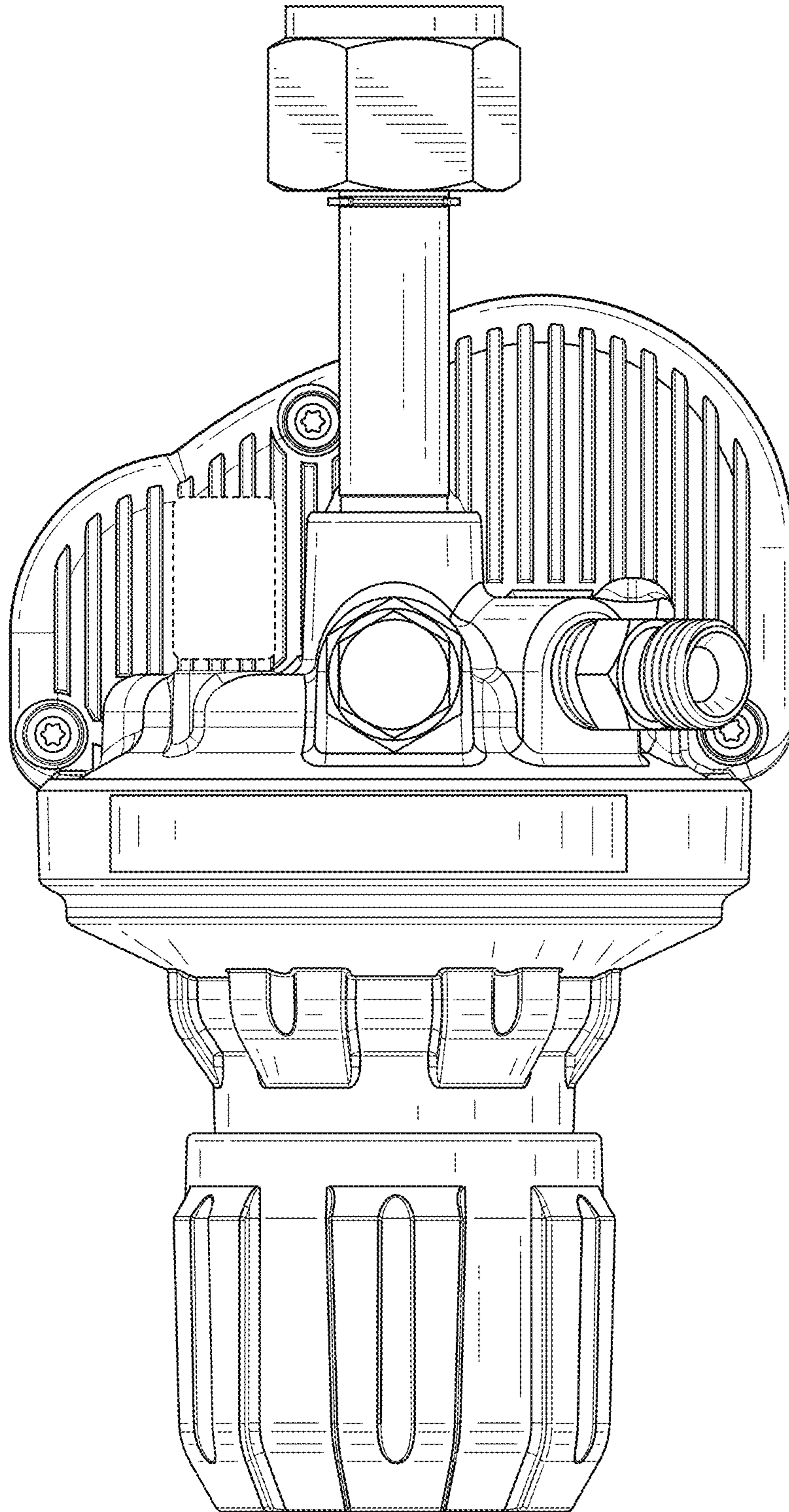


FIG. 6

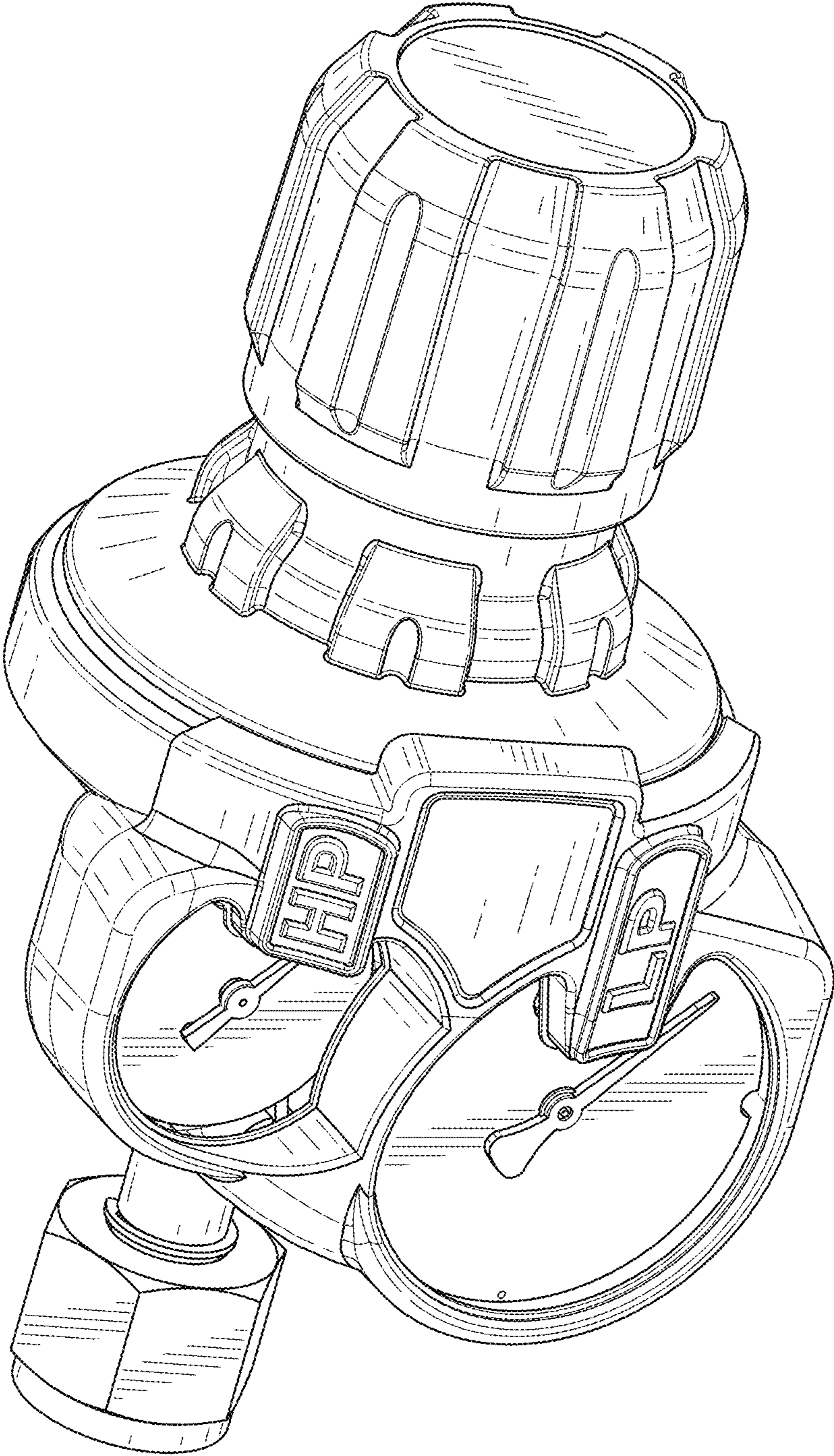


FIG. 7



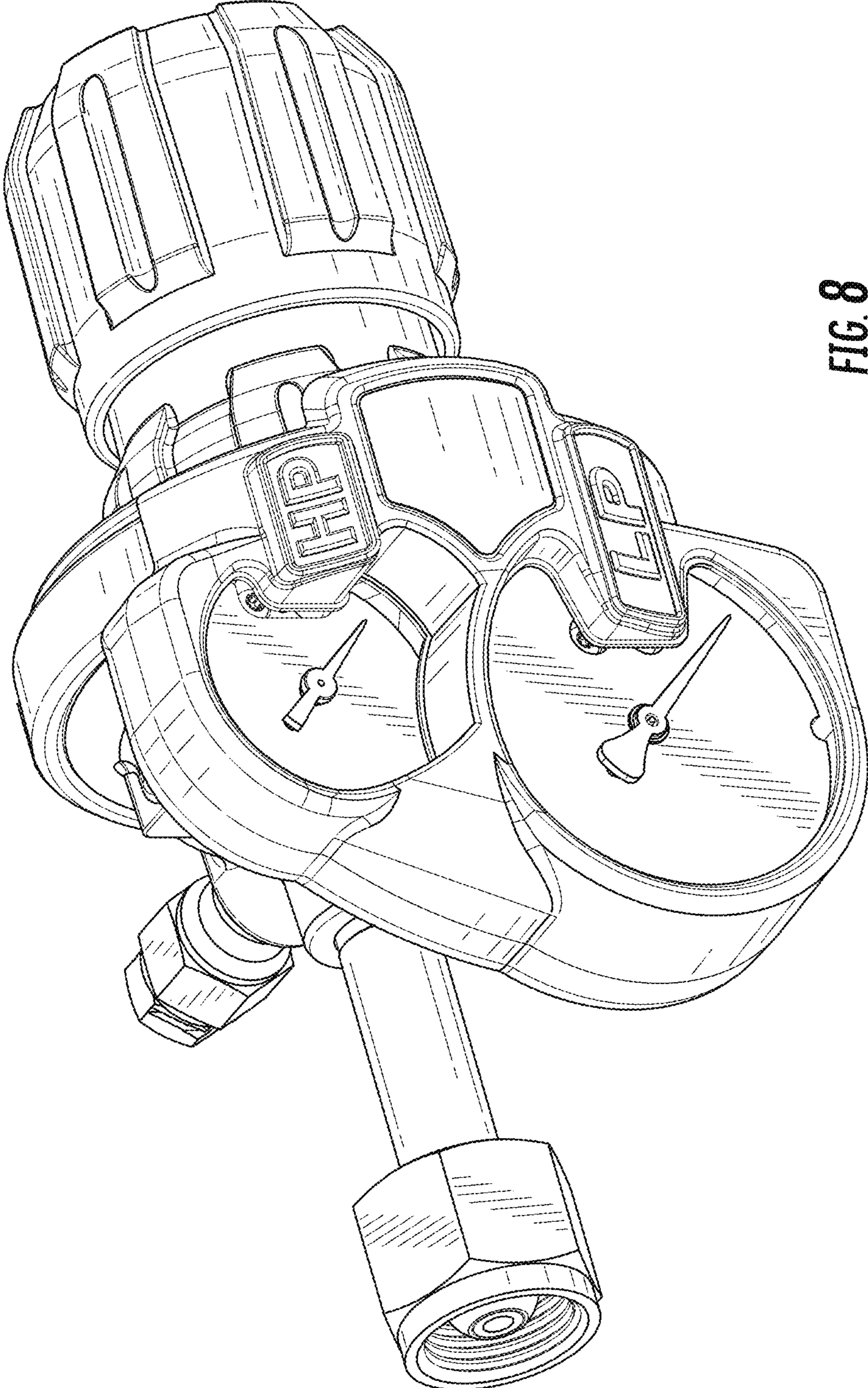


FIG. 8