



US00D811251S

(12) **United States Design Patent** (10) **Patent No.:** **US D811,251 S**
Barton et al. (45) **Date of Patent:** **** Feb. 27, 2018**

(54) **DIAGNOSTIC ANALYZER**

35/00-35/1097; G01N

(Continued)

(71) Applicant: **Abbott Laboratories**, Abbott Park, IL (US)

(56)

References Cited

(72) Inventors: **Christina A. Barton**, Irving, TX (US); **Rachel Elizabeth Wallace**, Madison, WI (US); **Ami Marie Verhalen**, Sun Prairie, WI (US); **Christopher Alan Harris**, Madison, WI (US); **Daniel Roger Nett**, Sun Prairie, WI (US)

U.S. PATENT DOCUMENTS

D347,396 S 5/1994 Ohnuma et al.
D755,405 S 5/2016 Zhu

(Continued)

(73) Assignee: **ABBOTT LABORATORIES**, Abbott Park, IL (US)

OTHER PUBLICATIONS

Japanese Patent Office, "Notice of Reasons for Rejection," issued in connection with Japanese Patent Application No. 2016-22305, dated Feb. 28, 2017, 3 pages.

(Continued)

(**) Term: **15 Years**

Primary Examiner — Antoine Duval Davis

(21) Appl. No.: **29/587,977**

(74) *Attorney, Agent, or Firm* — Hanley, Flight & Zimmerman, LLC

(22) Filed: **Dec. 16, 2016**

(57)

CLAIM

The ornamental design for a "diagnostic analyzer," as shown and described.

Related U.S. Application Data

(63) Continuation of application No. 29/531,576, filed on Jun. 26, 2015, now Pat. No. Des. 777,048.

(51) **LOC (11) Cl.** **10-04**

(52) **U.S. Cl.**
USPC **D10/81; D24/216**

(58) **Field of Classification Search**
USPC D10/81; D24/216, 219, 220, 232, 233, D24/234
CPC .. G01N 21/00; G01N 21/01; G01N 2201/022; G01N 2201/0221; G01N 2201/0222; G01N 2201/0224; G01N 2201/0225; G01N 2201/0227; G01N 2201/0228; G01N 2201/024; G01N 2201/0245; G01N 2021/0112-21/958; G01N 2021/0106-2021/9586; G01N

DESCRIPTION

FIG. 1 is a front left perspective view of a diagnostic analyzer.

FIG. 2 is a front view of the analyzer of FIG. 1.

FIG. 3 is a rear view of the analyzer of FIG. 1.

FIG. 4 is a right side view of the analyzer of FIG. 1.

FIG. 5 is a left side view of the analyzer of FIG. 1.

FIG. 6 is a top view of the analyzer of FIG. 1.

FIG. 7 is a bottom view of the analyzer of FIG. 1.

FIG. 8 is a front left perspective view of a diagnostic analyzer.

FIG. 9 is a front view of the analyzer of FIG. 8.

FIG. 10 is a rear view of the analyzer of FIG. 8.

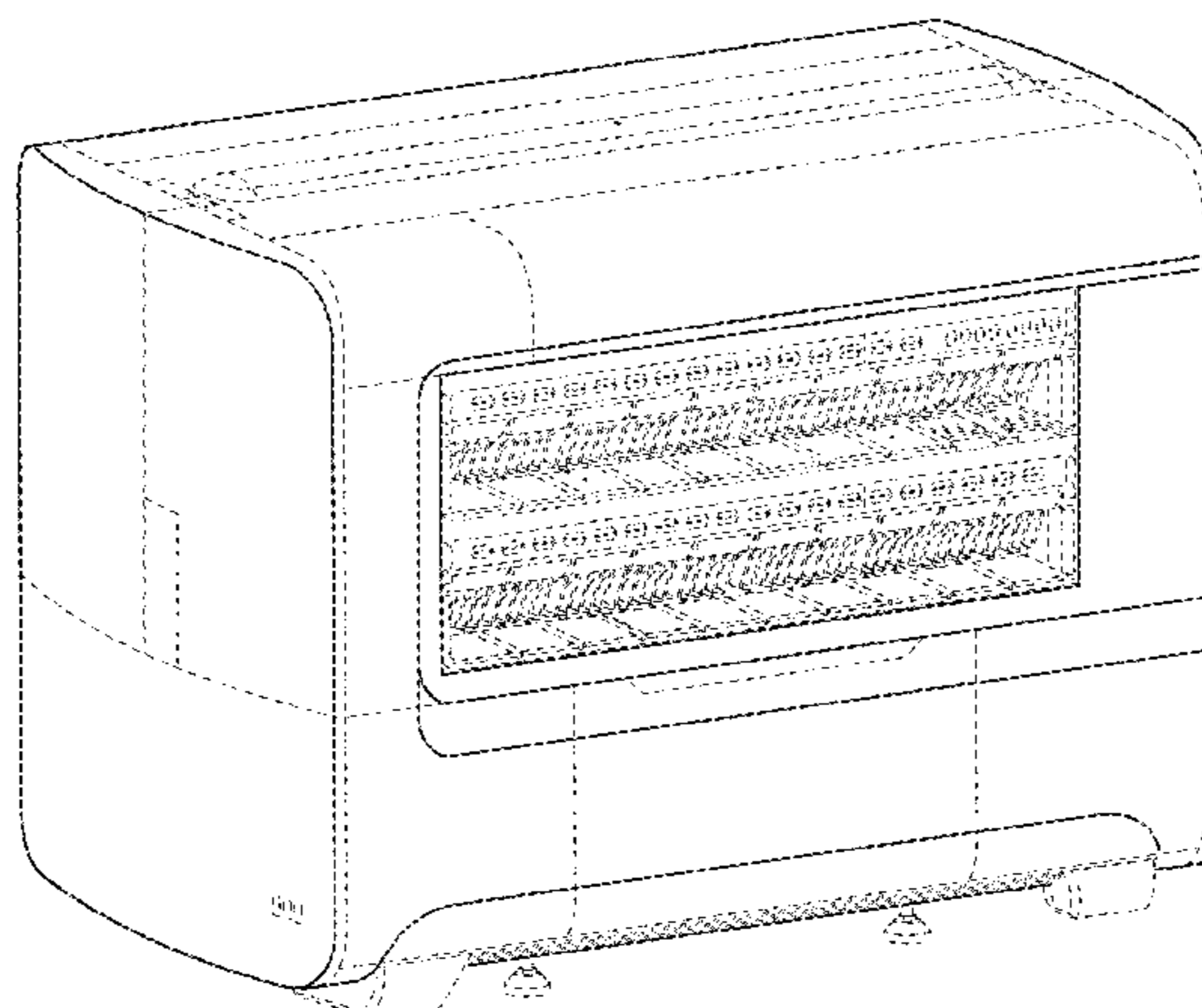
FIG. 11 is a right side view of the analyzer of FIG. 8.

FIG. 12 is a left side view of the analyzer of FIG. 8.

FIG. 13 is a top view of the analyzer of FIG. 8; and,

FIG. 14 is a bottom view of the analyzer of FIG. 8.

(Continued)



The features shown in broken lines form no part of the claimed design.

1 Claim, 9 Drawing Sheets

(58) **Field of Classification Search**

CPC 2035/00019–2035/1093; G01N
2204/022–2204/0228

See application file for complete search history.

(56) **References Cited**

U.S. PATENT DOCUMENTS

D773,071 S 11/2016 Hakoda
D788,617 S * 6/2017 Barton D10/81

OTHER PUBLICATIONS

Japanese Patent Office, “Notice of Reasons for Rejection,” issued in connection with Japanese Patent Application No. 2016-22306, dated Feb. 28, 2017, 3 pages.

Japanese Patent Office, “Notice of Reasons for Rejection,” issued in connection with Japanese Patent Application No. 2016-22307, dated Feb. 28, 2017, 3 pages.

Intellectual Property Office of Japan, “Directive,” issued in connection with Japanese Design Application No. 2015-28870, dated Oct. 25, 2016, 3 pages.

State Intellectual Property Office of China, “First Office Action,” issued in connection with Chinese Patent Application No. 201530555266.8, dated Oct. 9, 2016, 3 pages.

State Intellectual Property Office of China, “Notification of First Correction,” issued in connection with Chinese Patent Application No. 201530555266.8, dated Apr. 22, 2016, 3 pages.

Intellectual Property Office of Japan, “Notice for Reasons for Rejection,” issued in connection with Japanese Application No. 2015-28870, dated Jun. 14, 2016, 5 pages.

Office for Harmonization in the Internal Market, “Notification of the Registration of the Community Designs,” issued in connection with European Community Design Nos. 002930230-0001 through 002930230-0029, dated Mar. 17, 2016, 3 pages.

United States Patent and Trademark Office, “Restriction and/or Election Requirement,” issued in connection with U.S. Appl. No. 29/531,576, dated Jul. 6, 2016, 12 pages.

United States Patent and Trademark Office, “Notice of Allowance,” issued in connection with U.S. Appl. No. 29/531,576, dated Sep. 8, 2016, 13 pages.

Japanese Patent Office, “Directive,” issued in connection with Japanese Patent Application No. 2016-22305, dated May 23, 2017, 5 pages.

Japanese Patent Office, “Directive,” issued in connection with Japanese Patent Application No. 2016-22306, dated May 23, 2017, 5 pages.

* cited by examiner

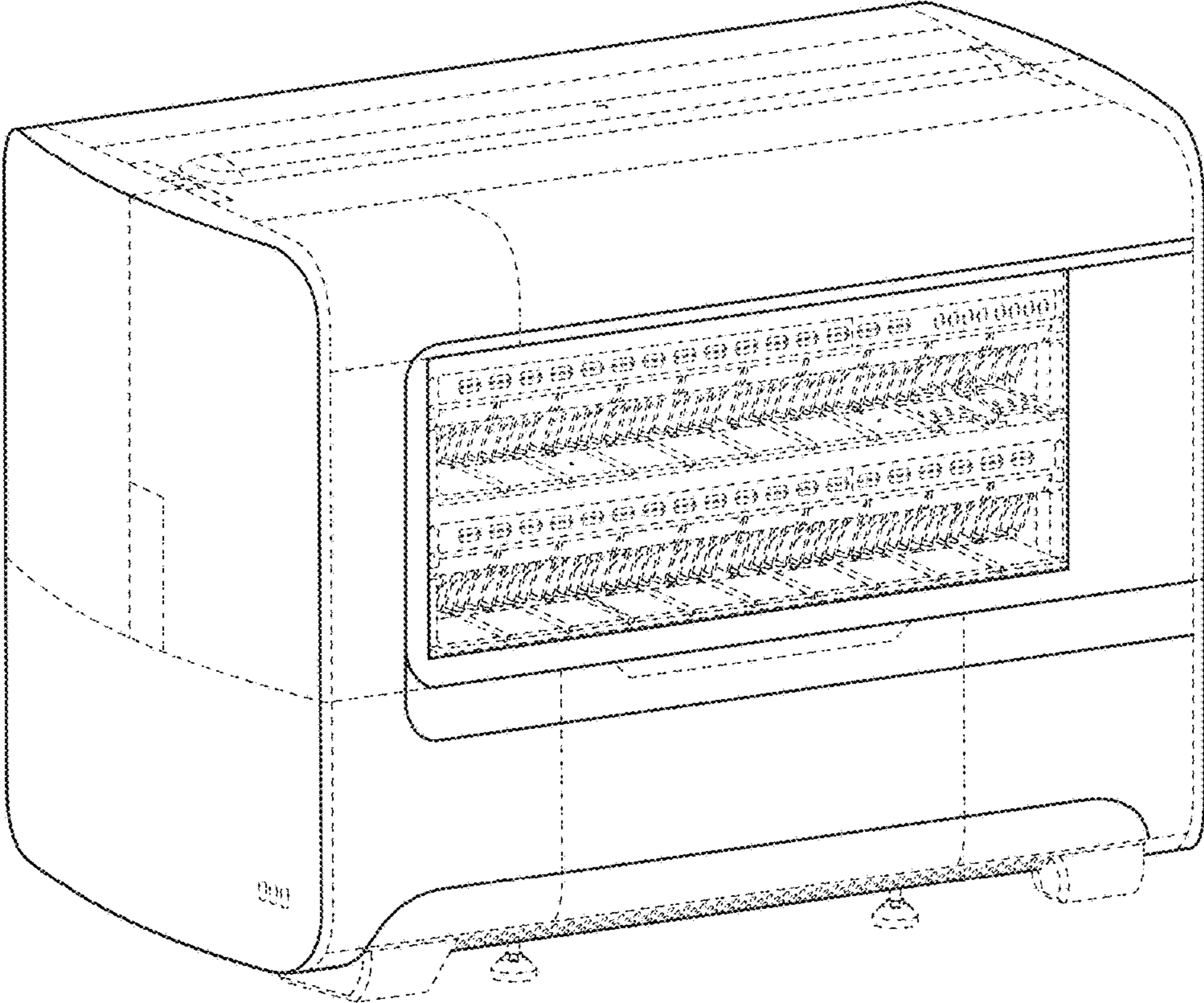


FIG. 1

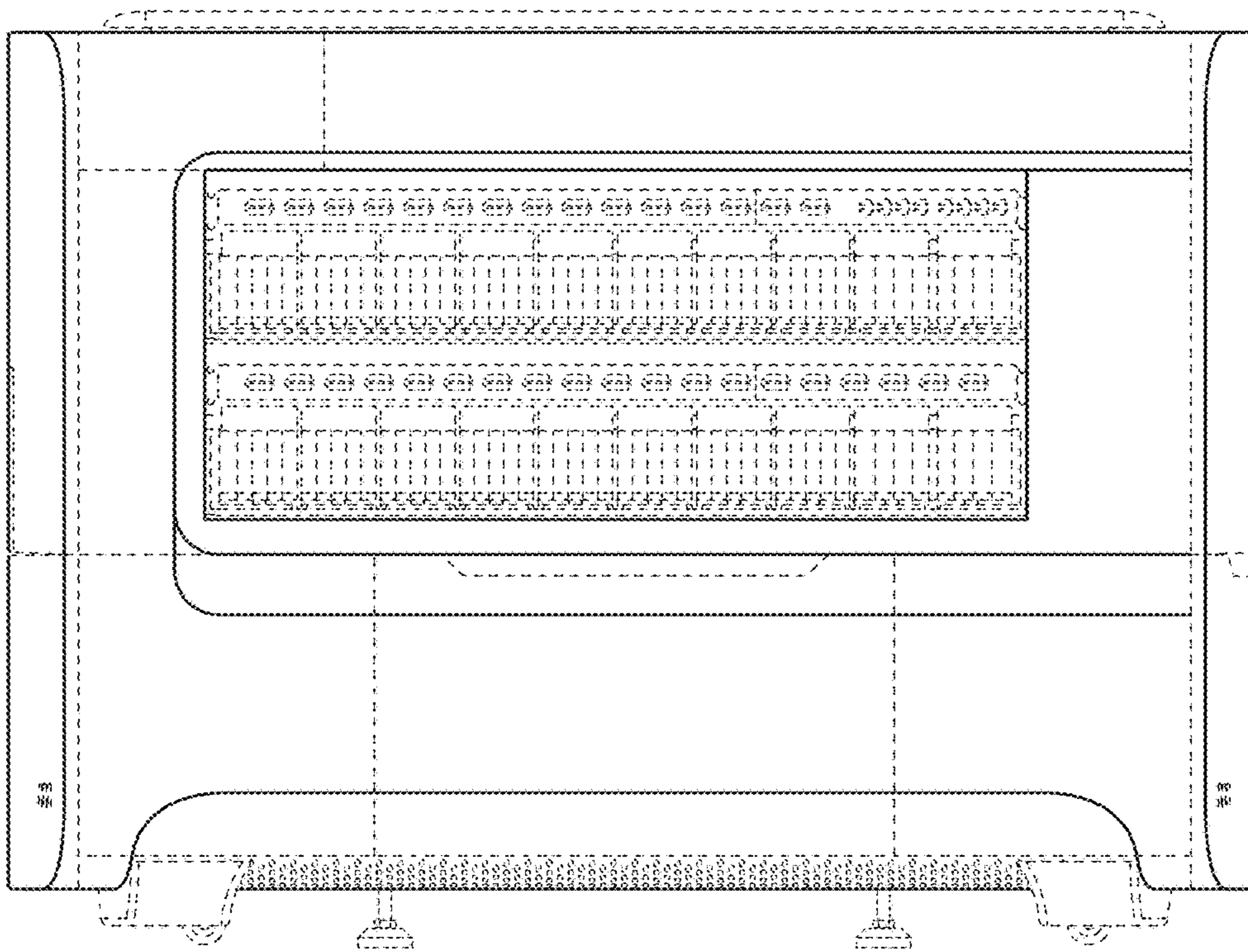


FIG. 2

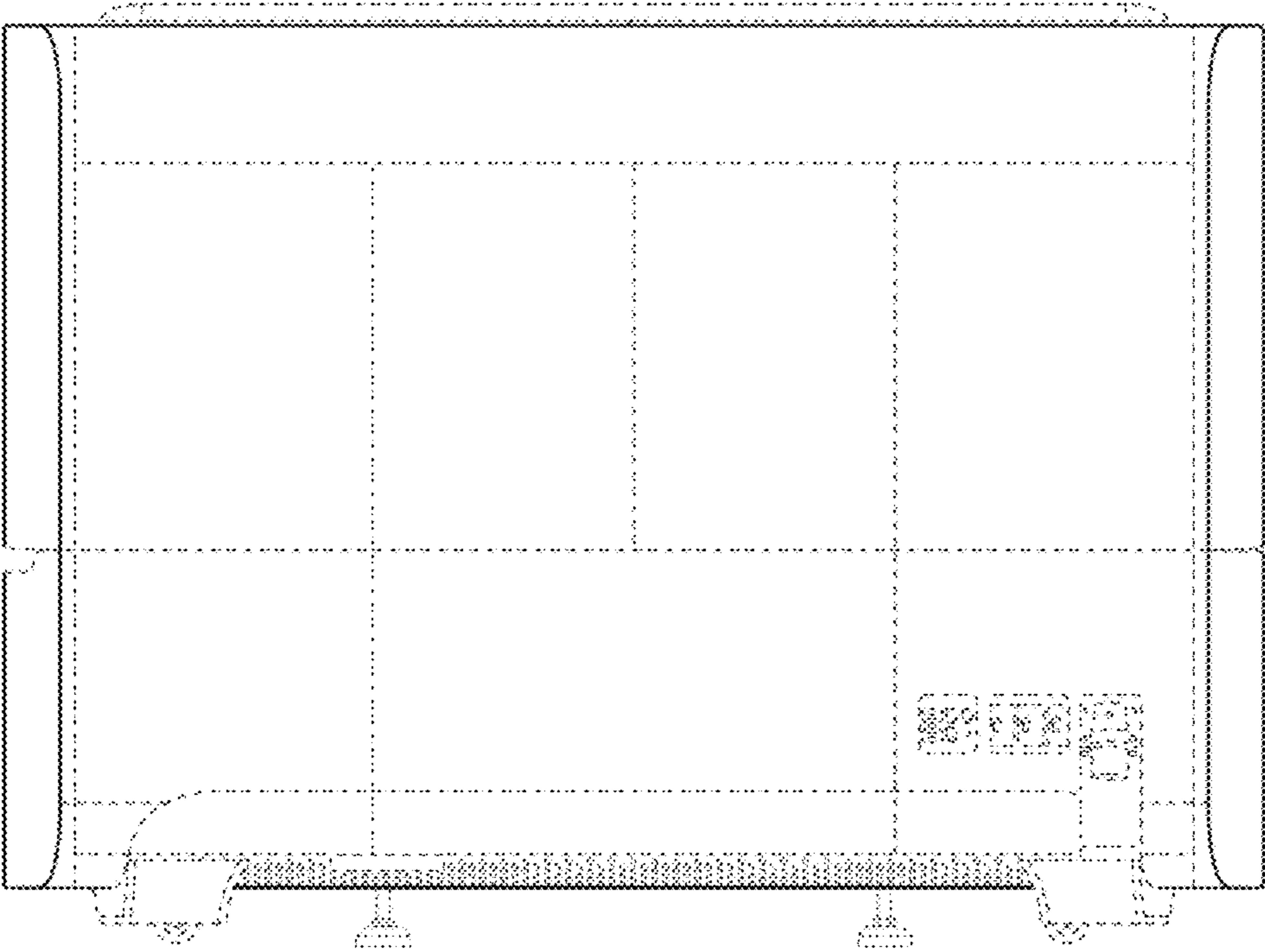
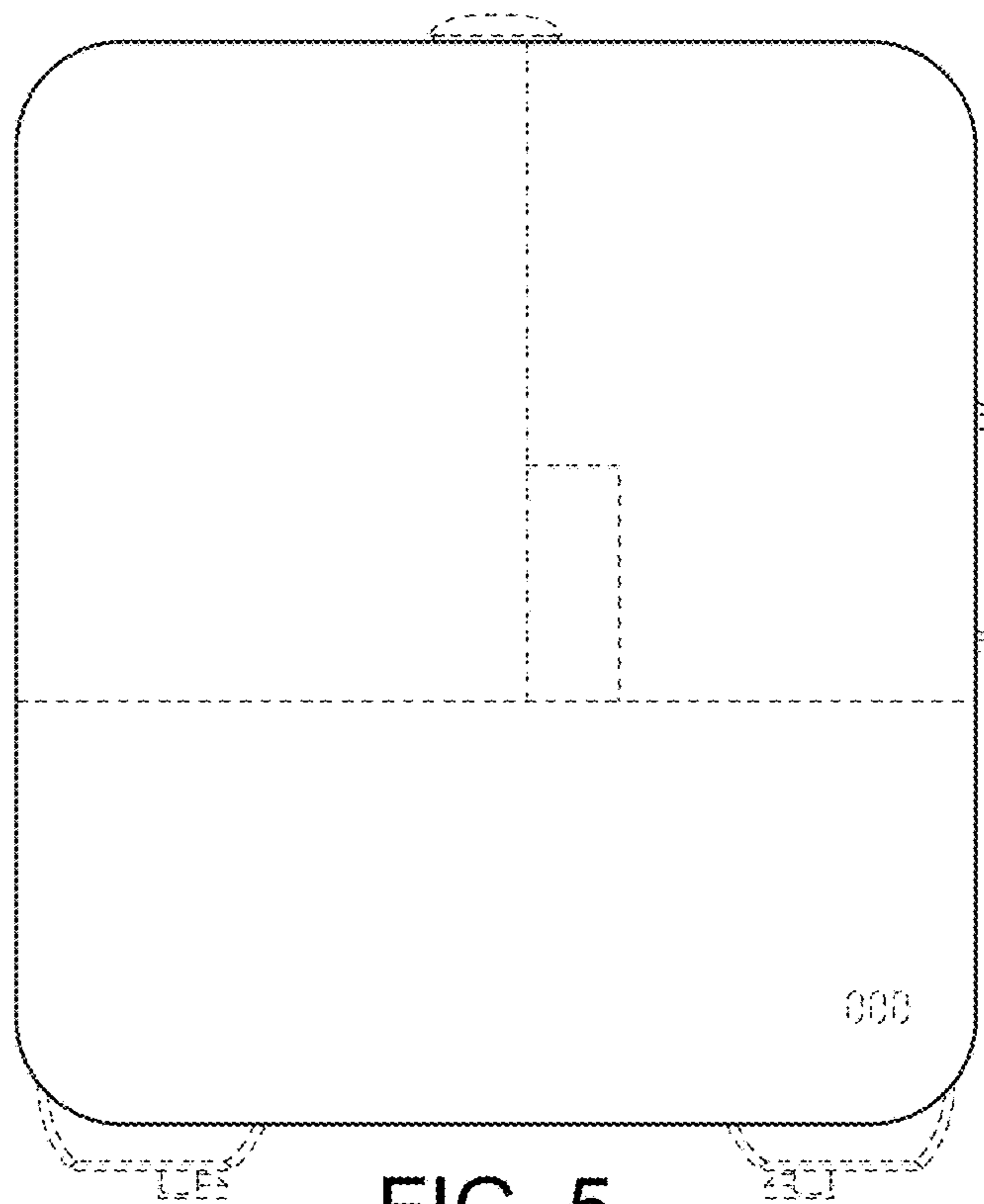
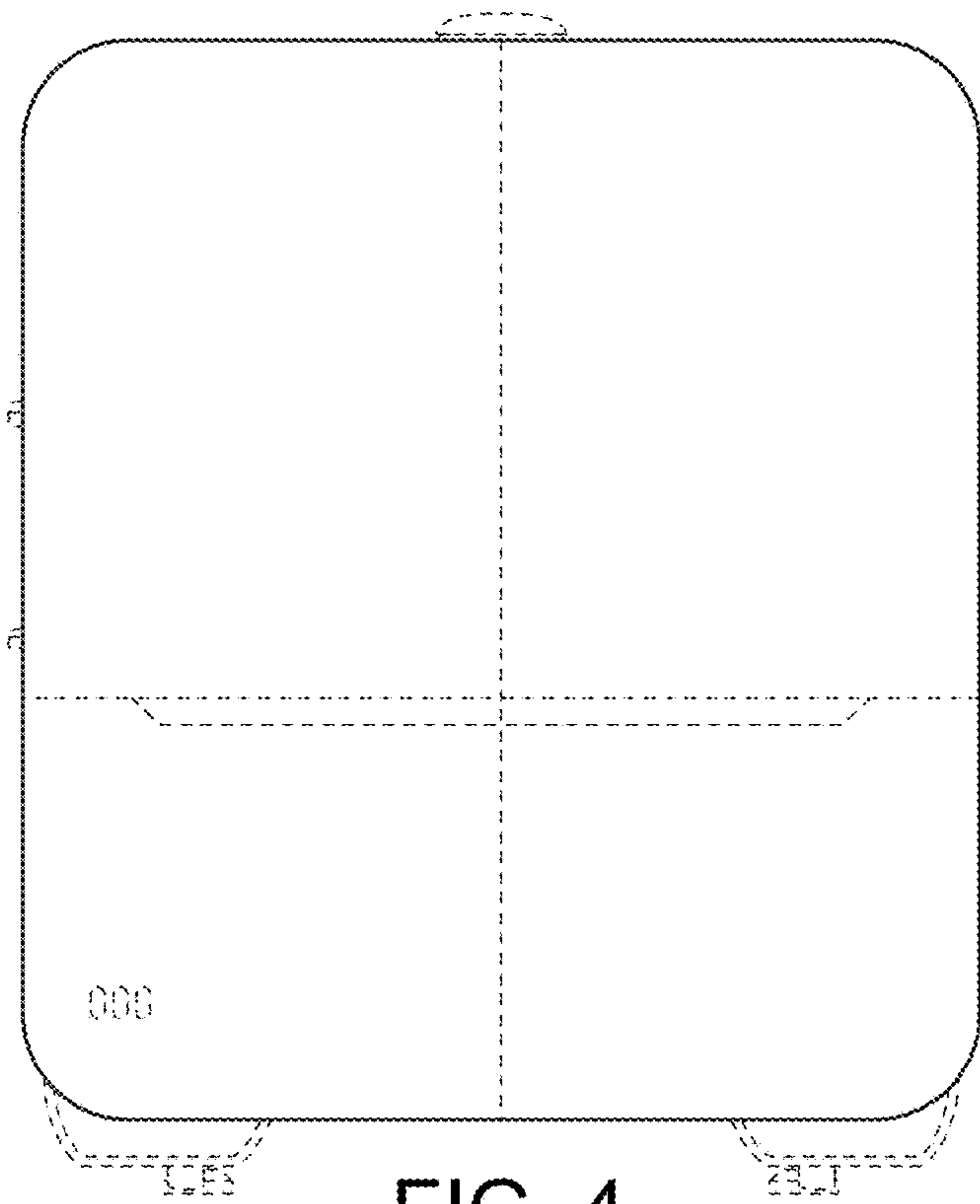


FIG. 3



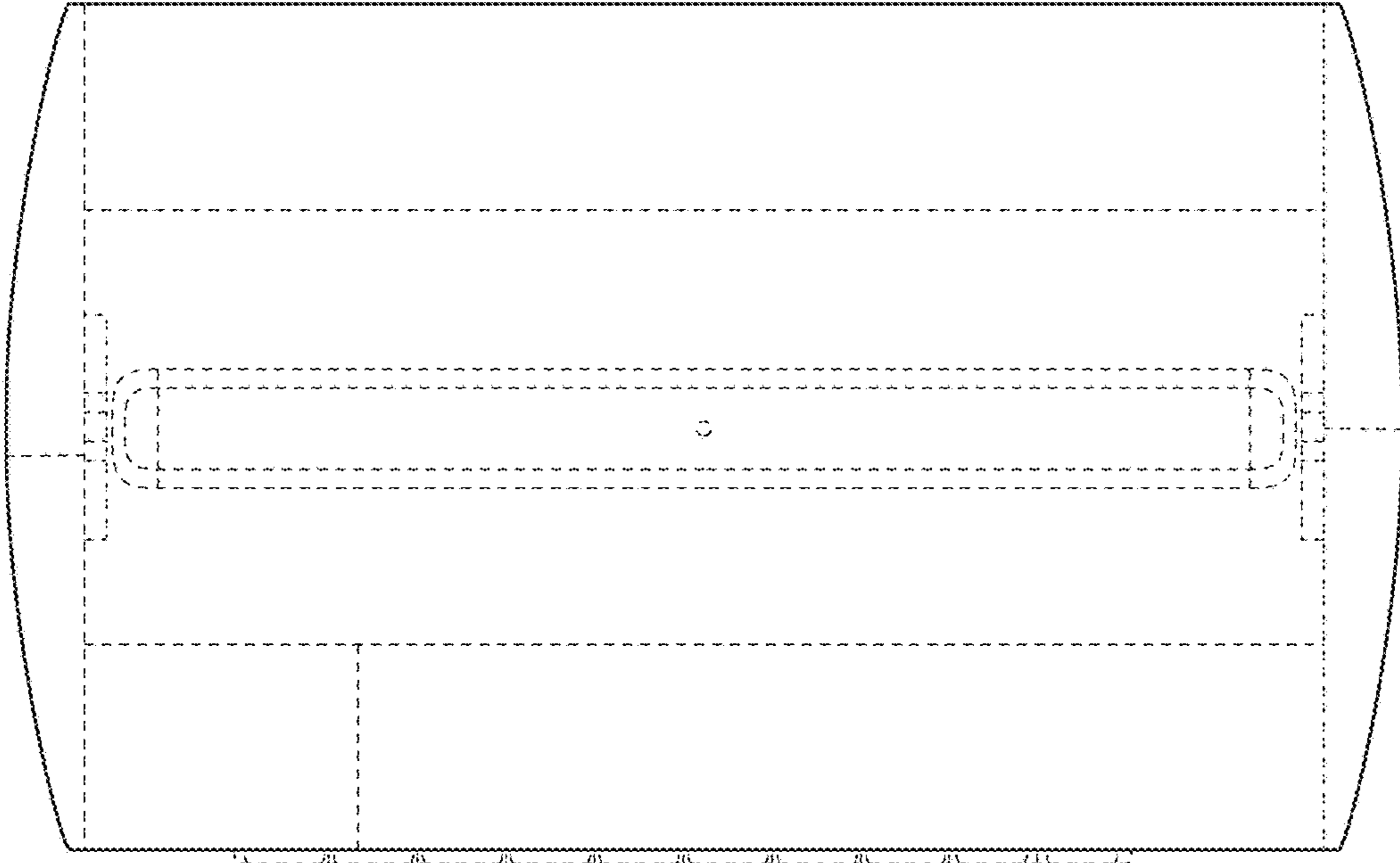


FIG. 6

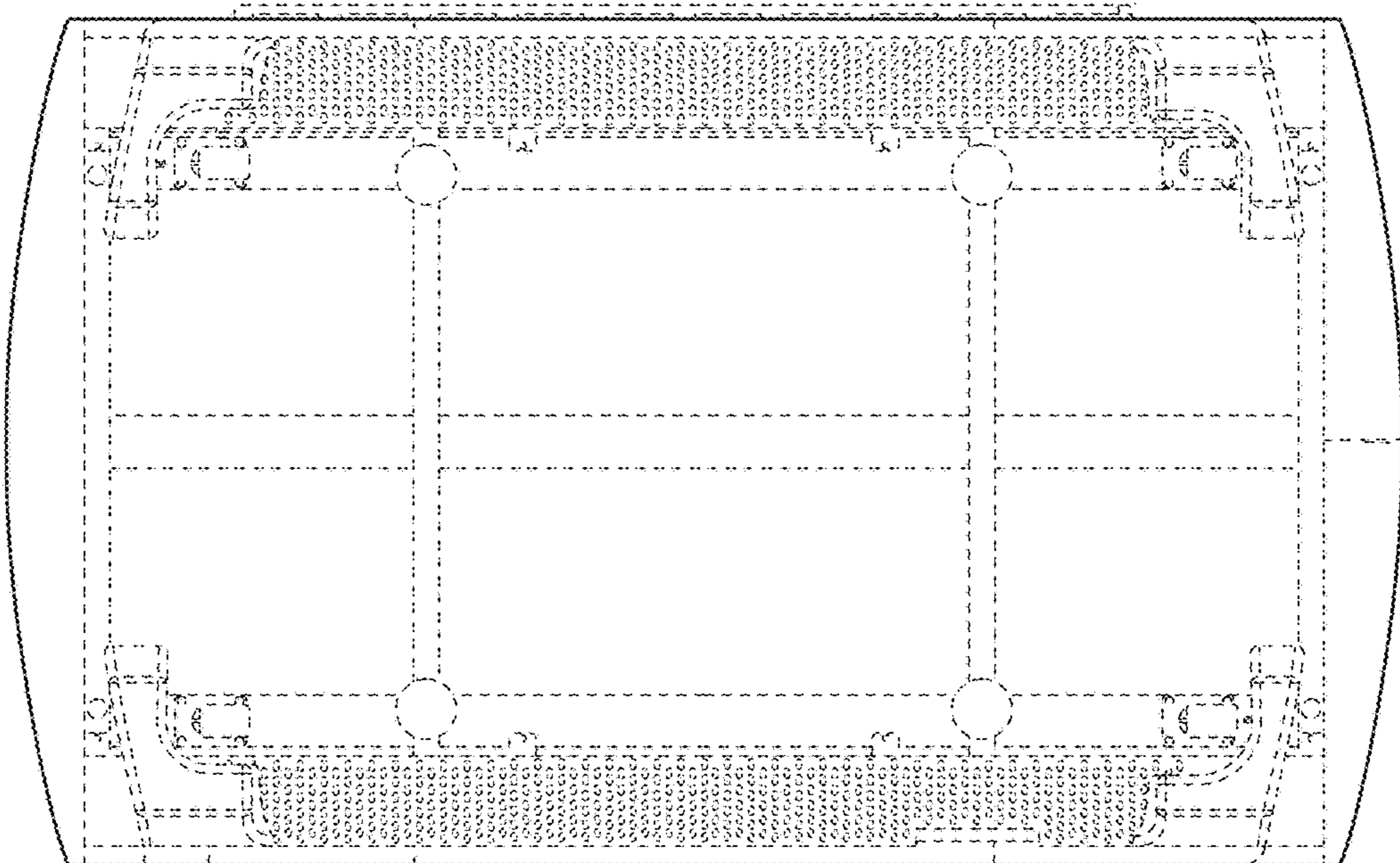


FIG. 7

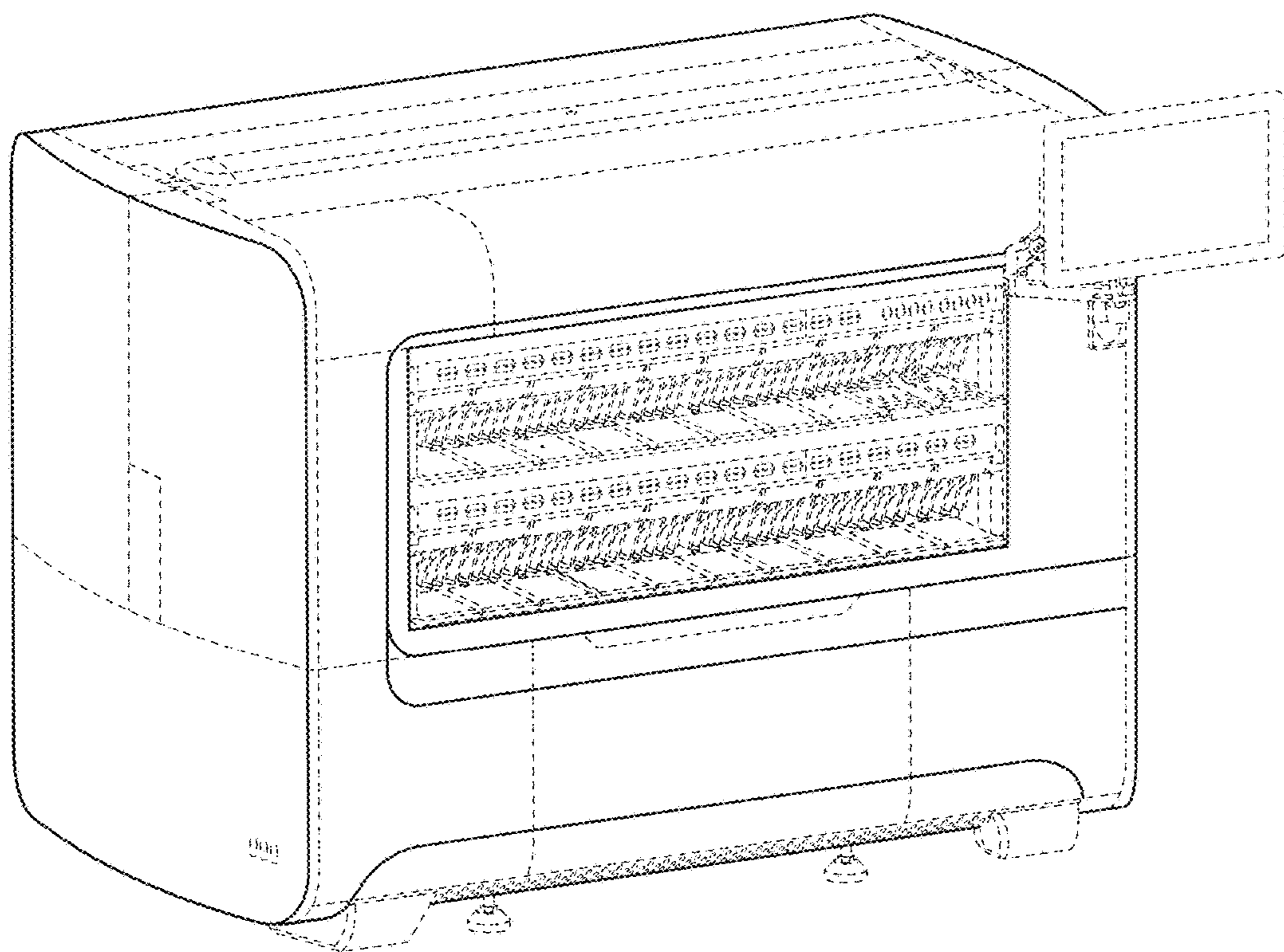


FIG. 8

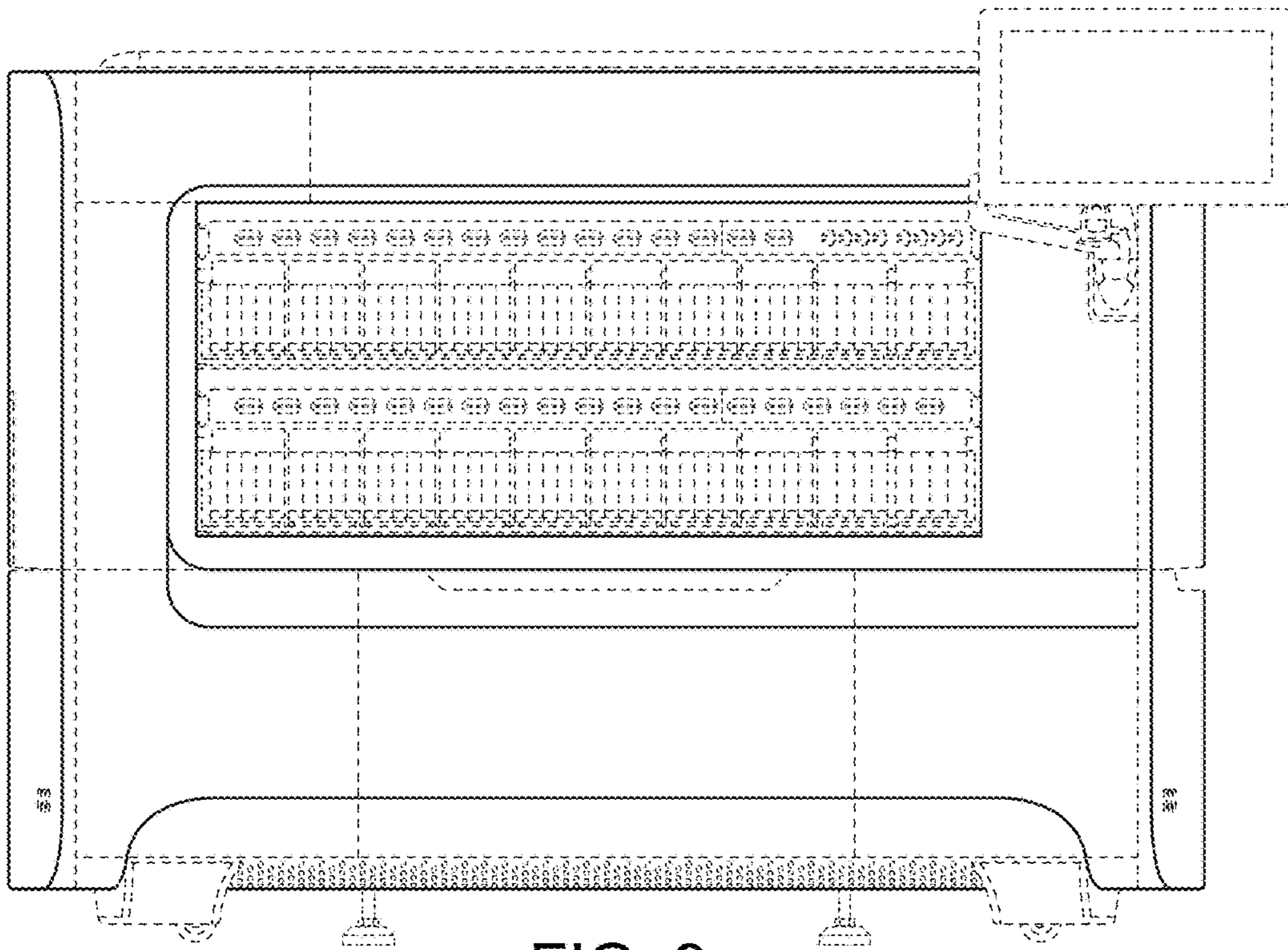


FIG. 9

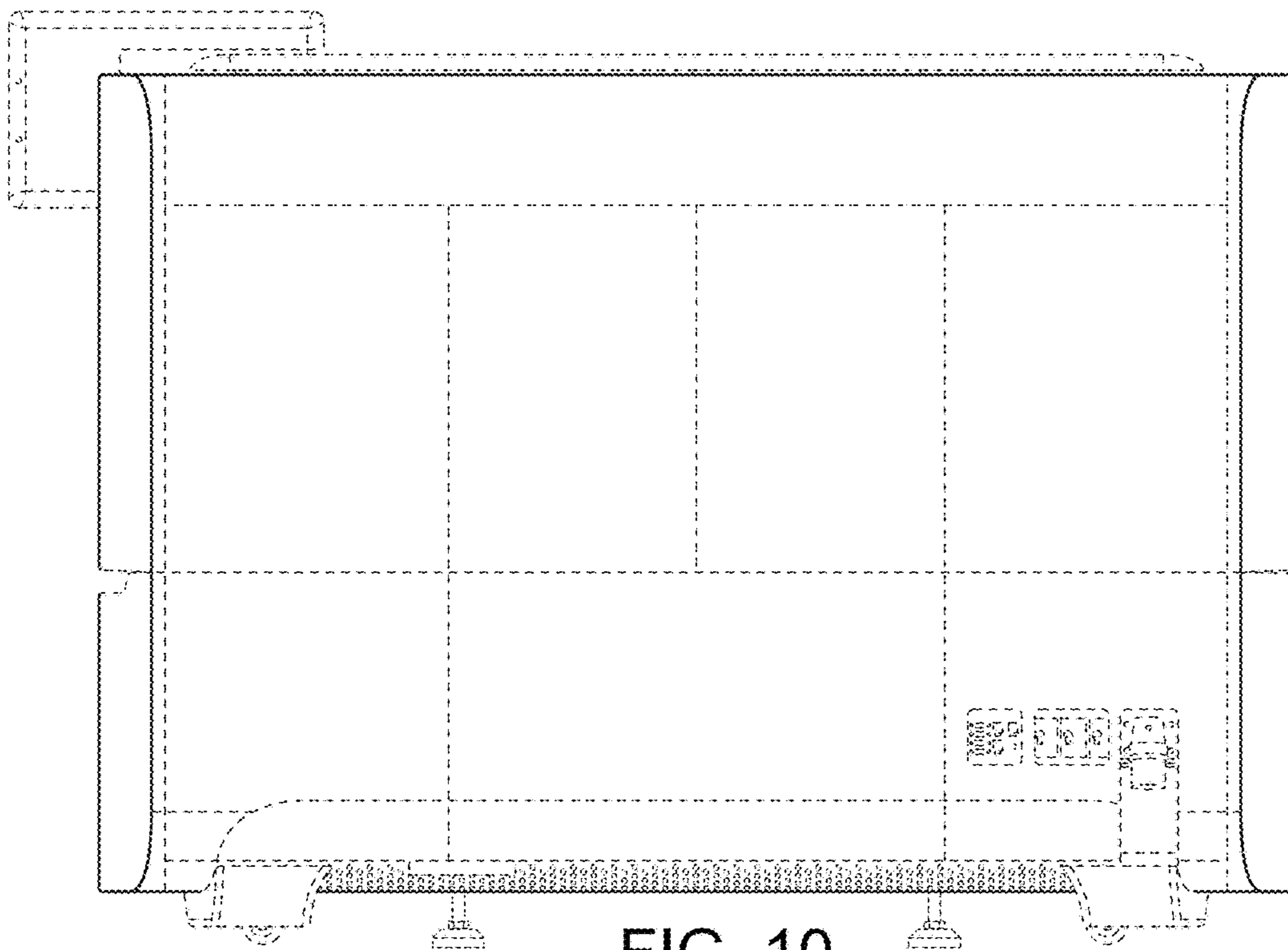


FIG. 10

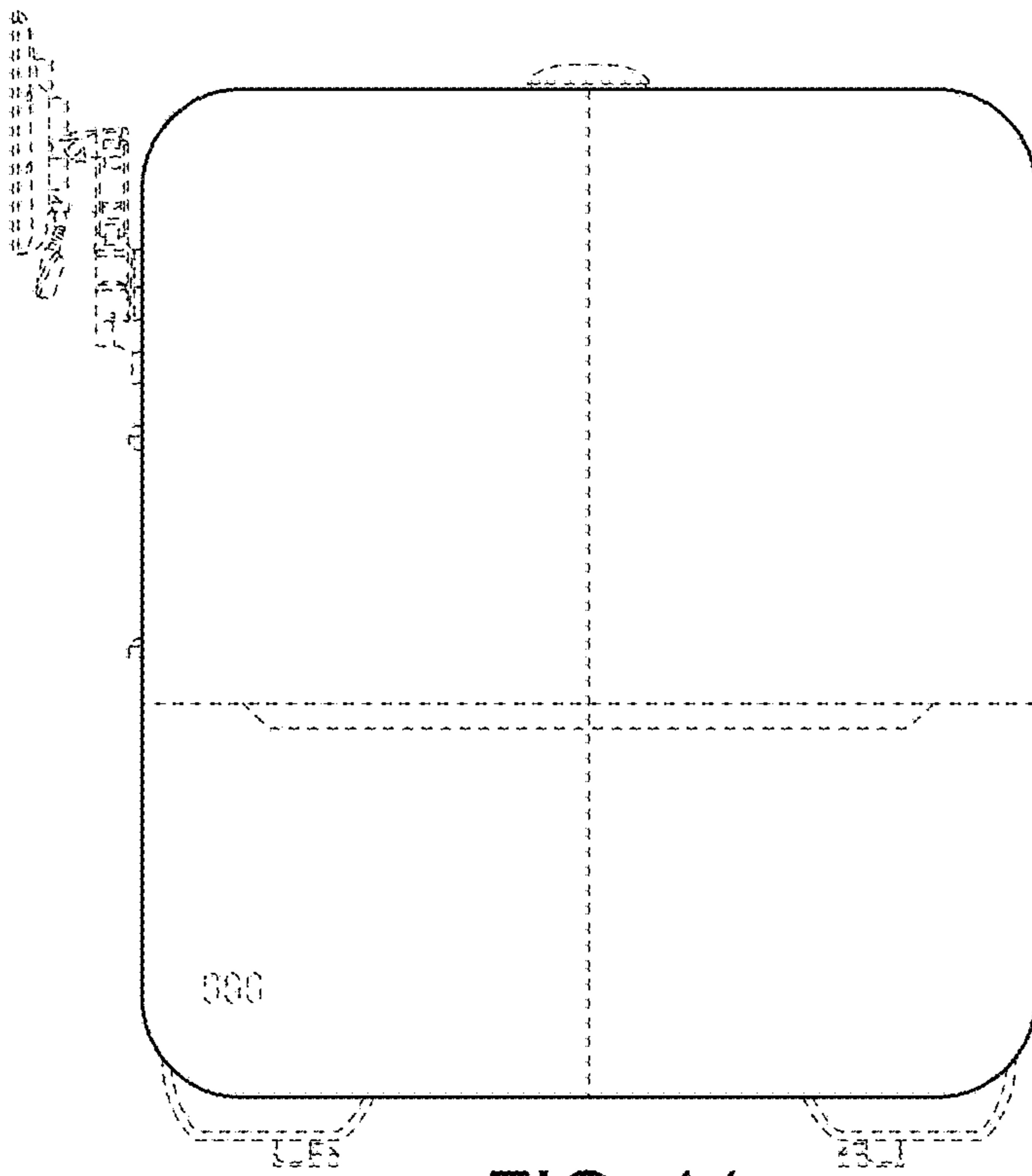


FIG. 11

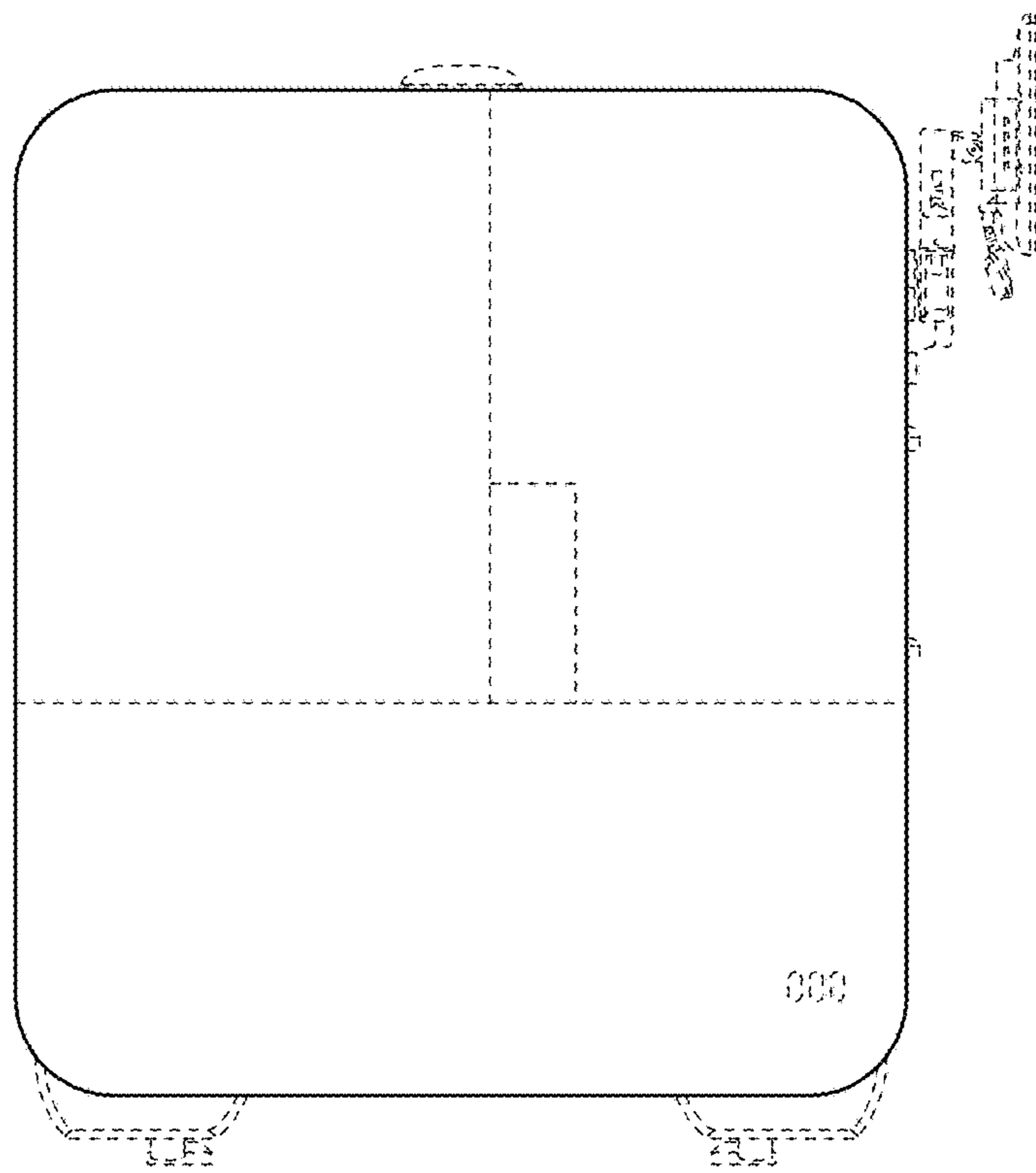


FIG. 12

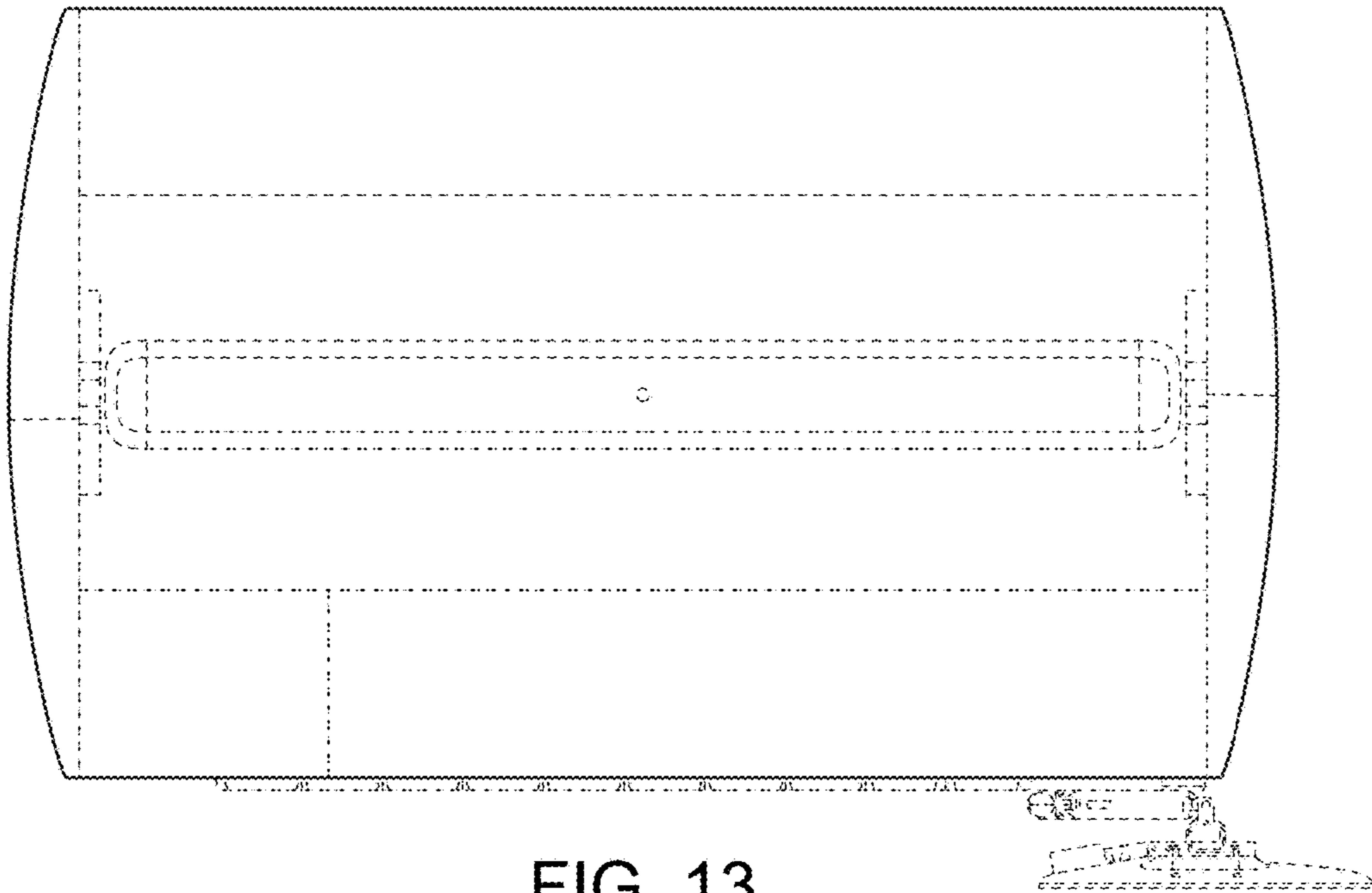


FIG. 13

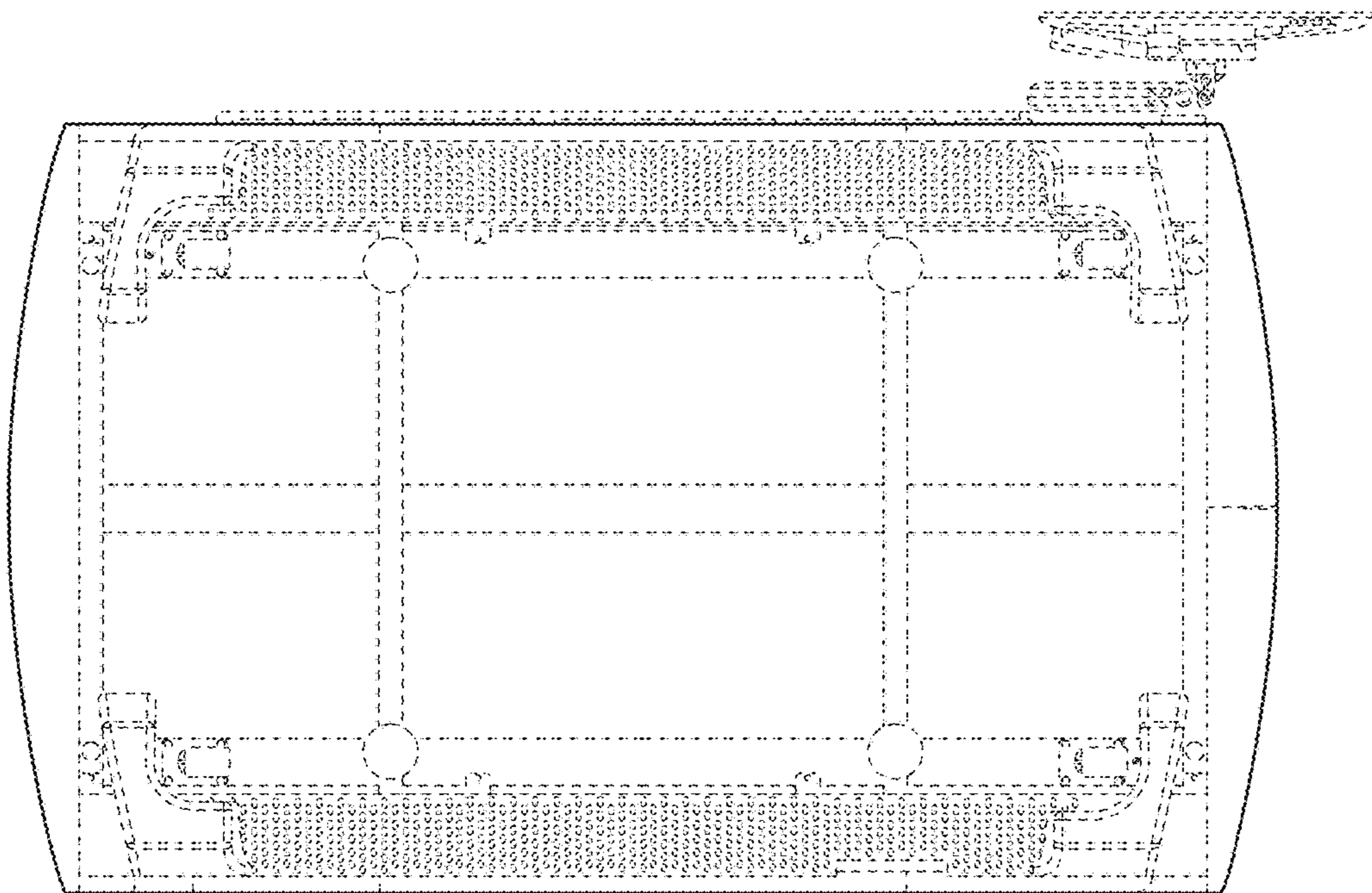


FIG. 14