



US00D811247S

(12) **United States Design Patent**  
**Wojciechowski et al.**

(10) **Patent No.:** **US D811,247 S**  
(45) **Date of Patent:** **\*\* Feb. 27, 2018**

- (54) **TORPEDO LEVEL**
- (71) Applicant: **Diamond Tech LLC**, Carson City, NV (US)
- (72) Inventors: **Timothy J. Wojciechowski**, Hubertus, WI (US); **John Dwyer**, Waukesha, WI (US)
- (73) Assignee: **Diamond Tech LLC**, Carson City, NV (US)
- (\*\*) Term: **15 Years**
- (21) Appl. No.: **29/577,802**
- (22) Filed: **Sep. 15, 2016**
- (51) **LOC (11) Cl.** ..... **10-04**
- (52) **U.S. Cl.**  
USPC ..... **D10/69**
- (58) **Field of Classification Search**  
USPC ..... D10/69  
CPC ... G01C 9/24; G01C 9/26; G01C 9/28; G01C 9/30; G01C 9/32; G01C 9/34; G01C 9/36; G01C 9/00; G01C 9/005; G01C 9/02; G01C 9/04; G01C 9/06; G01C 9/08; G01C 9/10; G01C 9/12; G01C 9/14; G01C 9/16; G01C 9/18; G01C 9/20; G01C 9/22; G01C 2009/005; G01C 2009/062; G01C 2009/064; G01C 2009/066; G01C 2009/068; G01C 2009/102; G01C 2009/105; G01C 2009/107; G01C 2009/182; G01C 2009/185; G01C 2009/187  
See application file for complete search history.

- 4,593,475 A 6/1986 Mayes
- 4,829,676 A 5/1989 Waldron
- D301,553 S 6/1989 Makofsky et al.
- 4,876,798 A 10/1989 Zimmerman
- D320,360 S 10/1991 Kennedy
- D332,226 S 1/1993 Hutchins et al.
- D355,134 S 2/1995 Kennedy
- D412,857 S 8/1999 Howard et al.
- D415,436 S 10/1999 Martone
- D469,370 S 1/2003 Gruetzmacher et al.
- D472,168 S 3/2003 Levinson
- 6,568,095 B2 5/2003 Snyder
- D503,635 S \* 4/2005 Kallabis ..... D10/69
- D507,194 S 7/2005 Budrow et al.
- D513,198 S 12/2005 Levinson
- D519,863 S 5/2006 Kim
- D521,882 S 5/2006 Kim
- 7,086,166 B2 8/2006 Helda et al.
- 7,152,335 B2 12/2006 Nichols
- D582,302 S 12/2008 Johnson et al.
- 7,472,487 B2 \* 1/2009 Tran ..... G01C 9/24  
33/379
- D597,872 S \* 8/2009 Gofer ..... D10/69

(Continued)

*Primary Examiner* — Antoine Duval Davis  
(74) *Attorney, Agent, or Firm* — Boyle Fredrickson, S.C.

(57) **CLAIM**

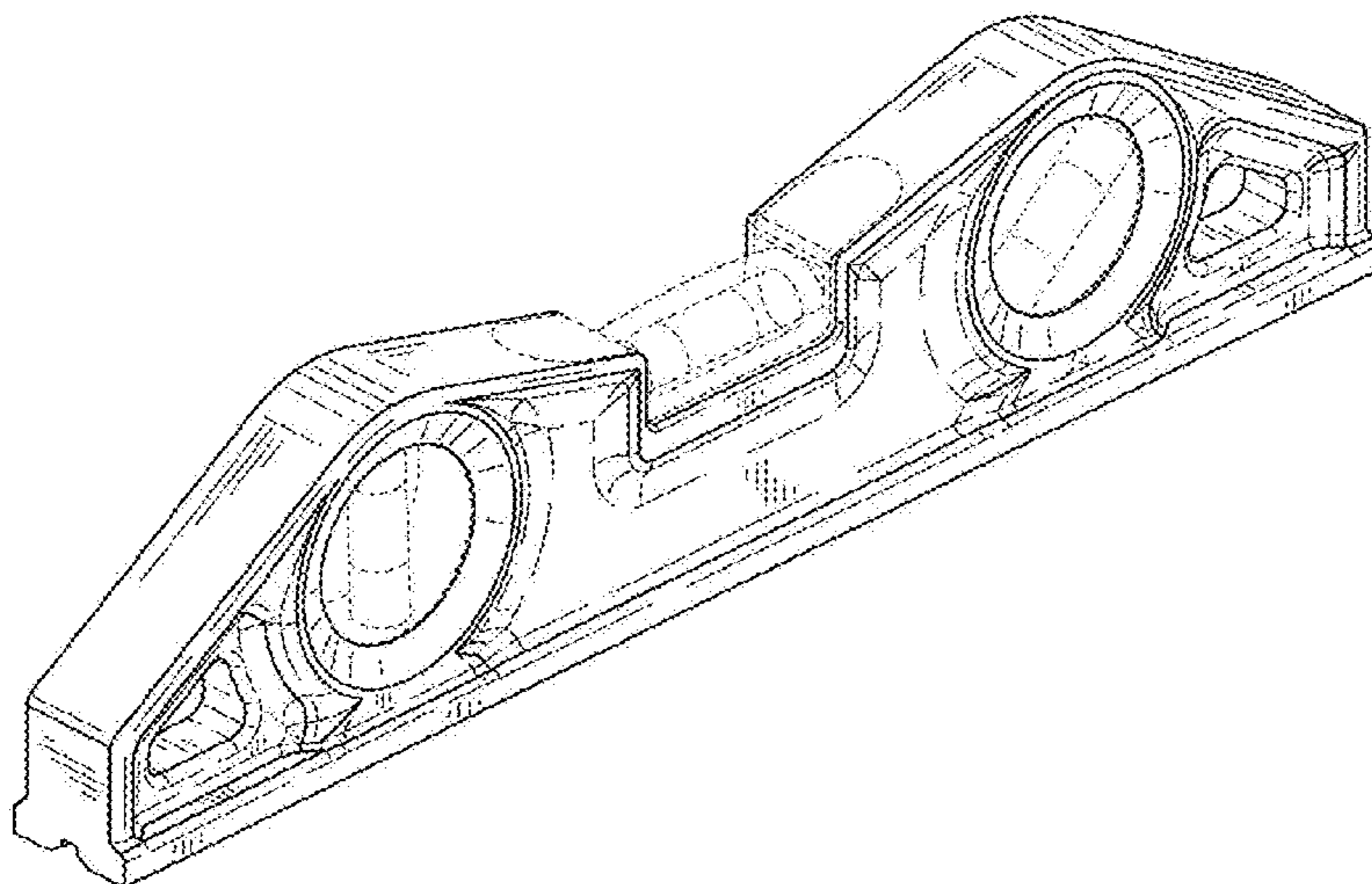
The ornamental design of a torpedo level, as shown and described.

**DESCRIPTION**

FIG. 1 is an isometric view of a torpedo level incorporating my new design, wherein the portions illustrated in phantom form no part of the claimed design;  
FIG. 2 is a side elevation view of a first side thereof;  
FIG. 3 is a side elevation view of a second side thereof;  
FIG. 4 is an elevation view of a first end thereof;  
FIG. 5 is an elevation view of a second end thereof;  
FIG. 6 is a top plan view thereof; and,  
FIG. 7 is a bottom plan view thereof.

**1 Claim, 4 Drawing Sheets**

- (56) **References Cited**  
U.S. PATENT DOCUMENTS  
D224,663 S 8/1972 de Jong  
D280,185 S 8/1985 Wright



(56)

**References Cited**

U.S. PATENT DOCUMENTS

D625,630 S \* 10/2010 Levinson ..... D10/69  
D628,914 S 12/2010 Kim et al.  
7,946,045 B2 5/2011 Allemand  
D644,946 S \* 9/2011 Silberberg ..... D10/69  
D644,947 S \* 9/2011 Silberberg ..... D10/69  
8,061,051 B2 11/2011 Allemand  
D694,659 S 12/2013 Yong et al.  
D704,577 S \* 5/2014 Levinson ..... D10/69  
D729,645 S 5/2015 Wojciechowski et al.  
2005/0252016 A1 11/2005 Helda et al.  
2008/0282562 A1 11/2008 Allemand

\* cited by examiner

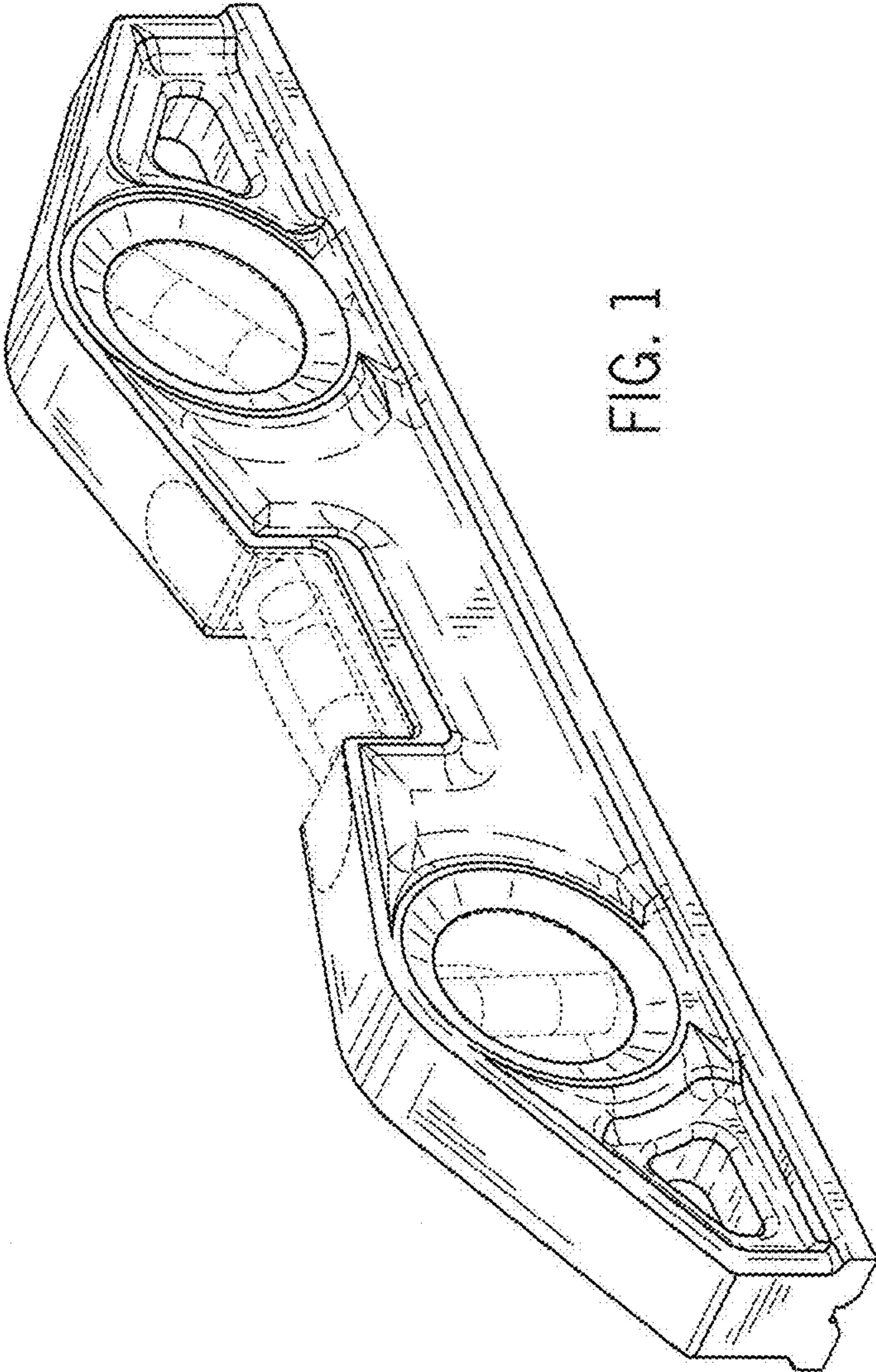


FIG. 1

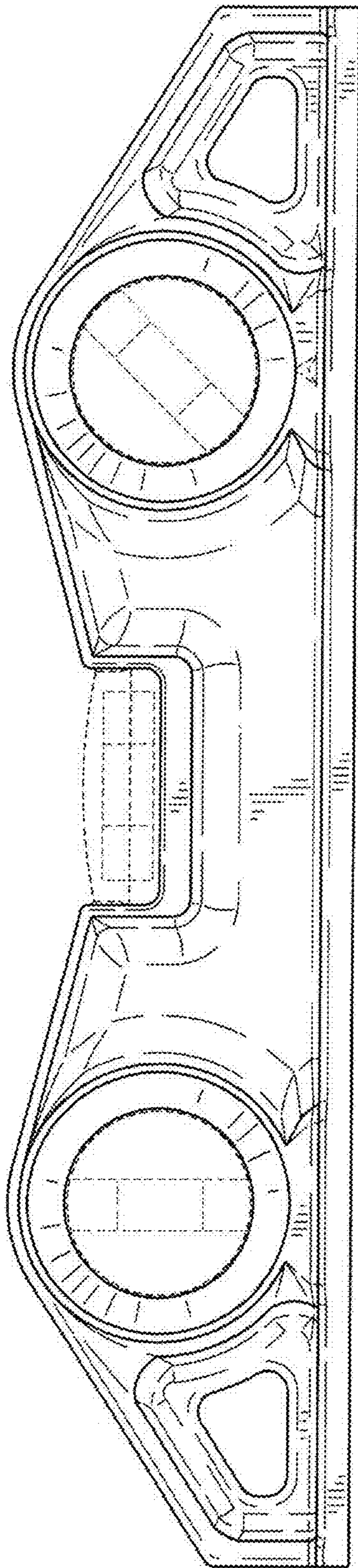


FIG. 2

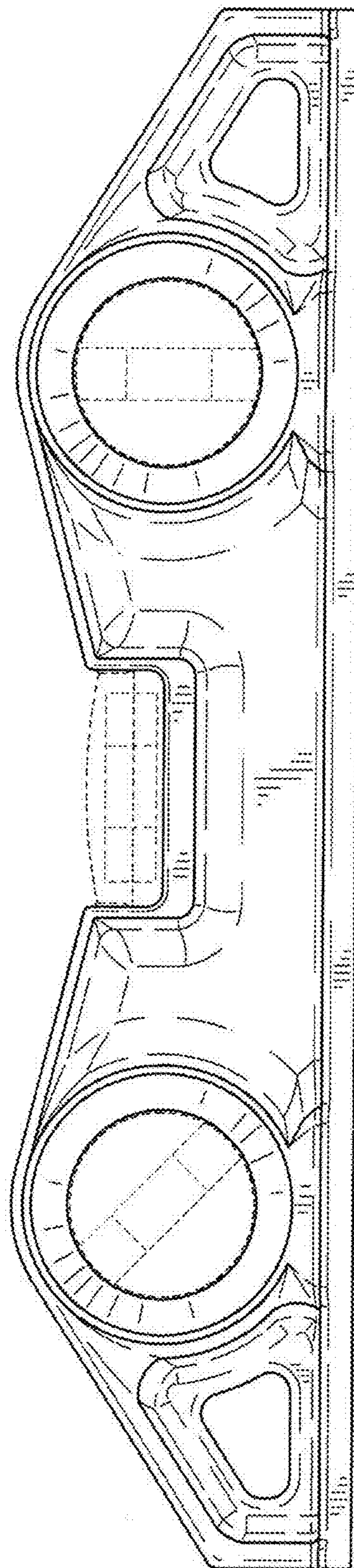


FIG. 3

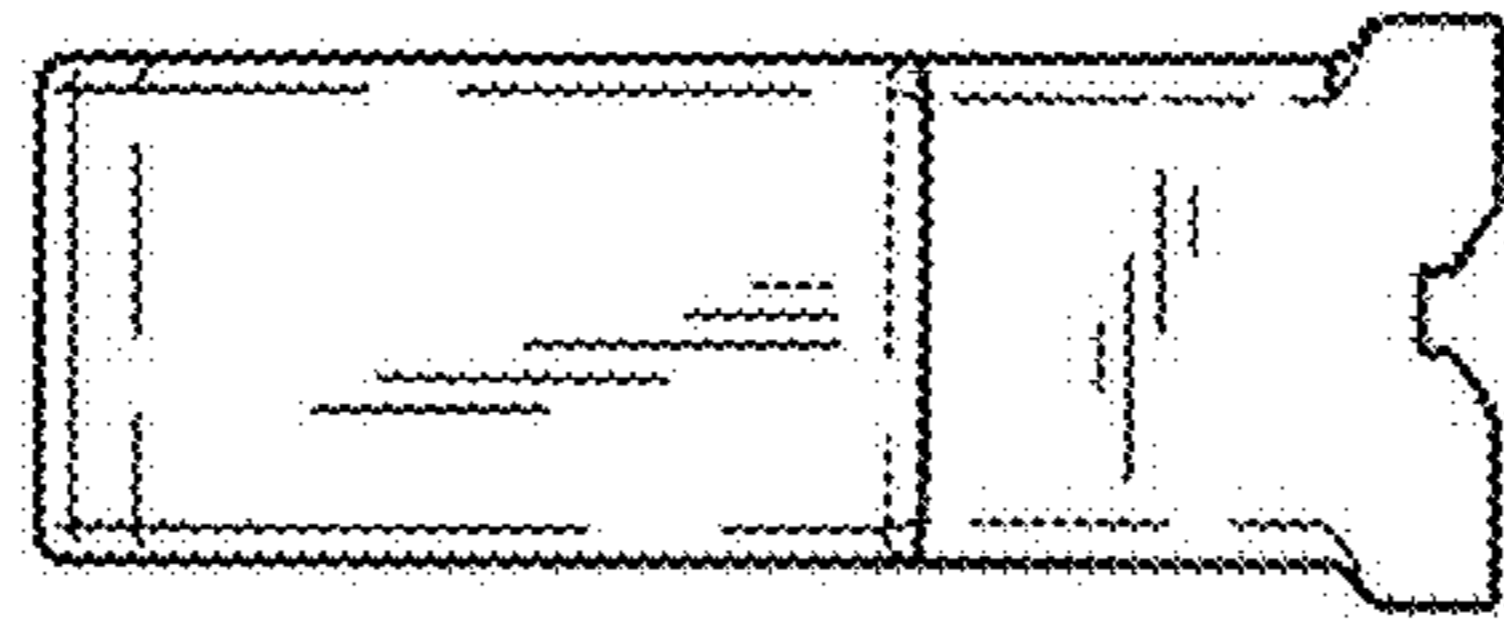


FIG. 5

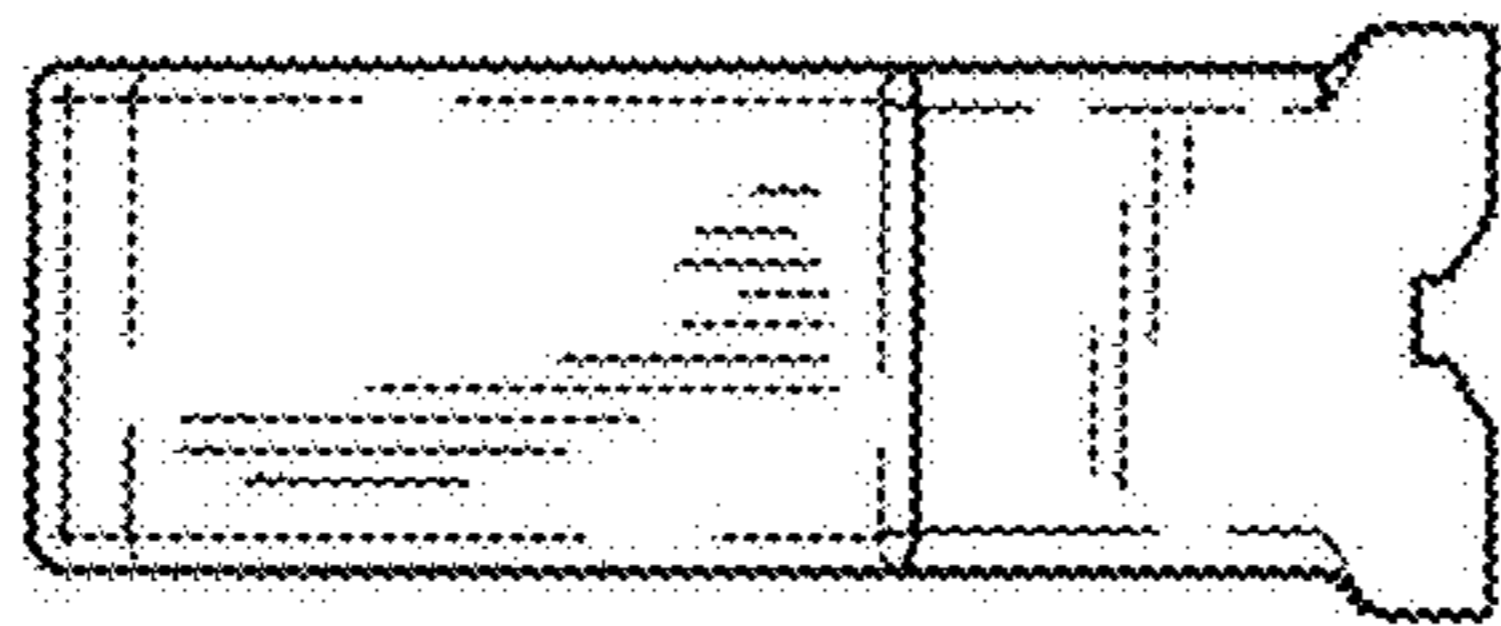


FIG. 4

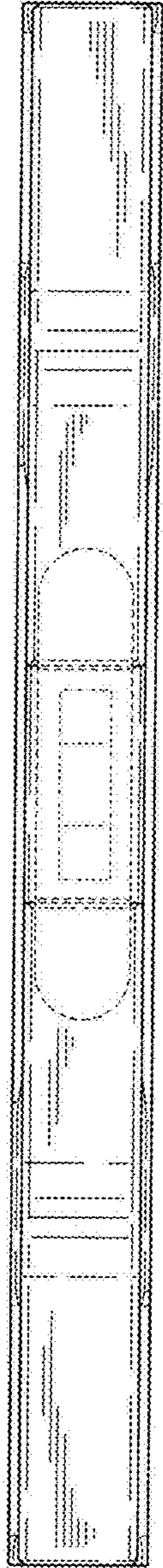


FIG. 6

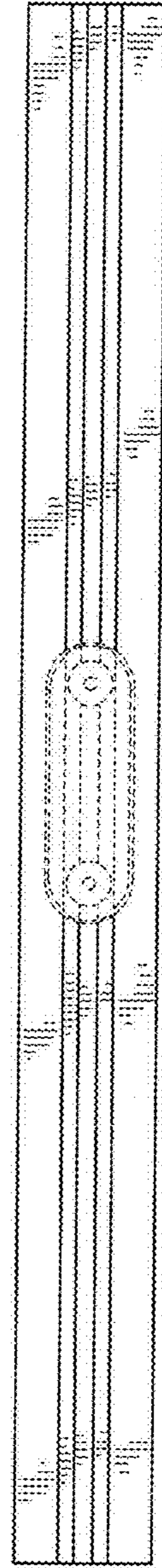


FIG. 7