



US00D811245S

(12) **United States Design Patent** (10) **Patent No.:** **US D811,245 S**
Combe (45) **Date of Patent:** **** Feb. 27, 2018**

(54) **CONTROLLER AND USER INTERFACE FOR A CONTROLLER**

(71) Applicant: **British Gas Trading Limited**, Windsor, Berkshire (GB)

(72) Inventor: **Nicola Combe**, London (GB)

(73) Assignee: **BRITISH GAS TRADING LIMITED**, Windsor, Berkshire (GB)

(**) Term: **15 Years**

(21) Appl. No.: **29/570,523**

(22) Filed: **Jul. 8, 2016**

(51) **LOC (11) Cl.** **10-04**

(52) **U.S. Cl.**
USPC **D10/50**

(58) **Field of Classification Search**
USPC D10/49, 50, 60; D13/162, 162.1, 177
CPC H01H 2223/00; H01H 2223/002; H01H 2223/0003; H01H 2223/004; H01H 2223/006
See application file for complete search history.

(56) **References Cited**

U.S. PATENT DOCUMENTS

D622,621 S *	8/2010	Choi	D10/50
D669,865 S *	10/2012	Gilbert	D10/49
D738,755 S *	9/2015	Druce	D10/50

* cited by examiner

Primary Examiner — Antoine Duval Davis
(74) *Attorney, Agent, or Firm* — Brinks Gilson & Lione; G. Peter Nichols

(57) **CLAIM**

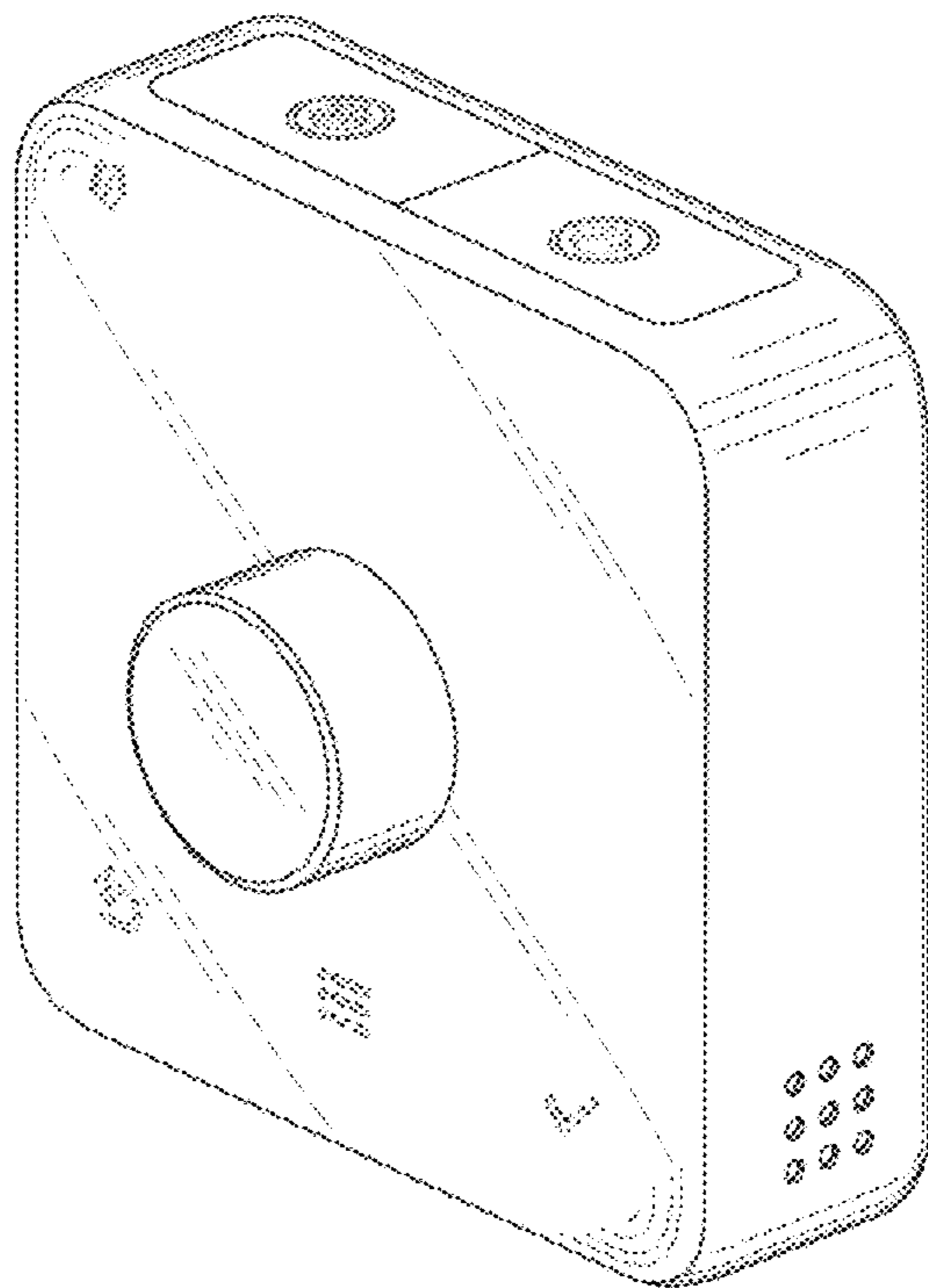
The ornamental design for a temperature controller, as shown and described.

DESCRIPTION

FIG. 1 is a perspective view of a temperature controller in one form of the ornamental design; FIG. 2 is a front view of the temperature controller of FIG. 1; FIG. 3 is a side view of the temperature controller of FIG. 1; FIG. 4 is a further side view of the temperature controller of FIG. 1; FIG. 5 is a top view of the temperature controller of FIG. 1; FIG. 6 is a bottom view of the temperature controller of FIG. 1; and, FIG. 7 is a back view of the temperature controller of FIG. 1.

The ornamental design includes a control knob mounted on a front surface of the controller. A panel with a glossy or shiny finish is present on the front surface of controller. Dashed lines in the drawings denote features of the article that are included for the purpose of illustrating context, but form no part of the claimed design. Oblique contour shading in certain of the drawings denotes a glossy or shiny surface.

1 Claim, 7 Drawing Sheets



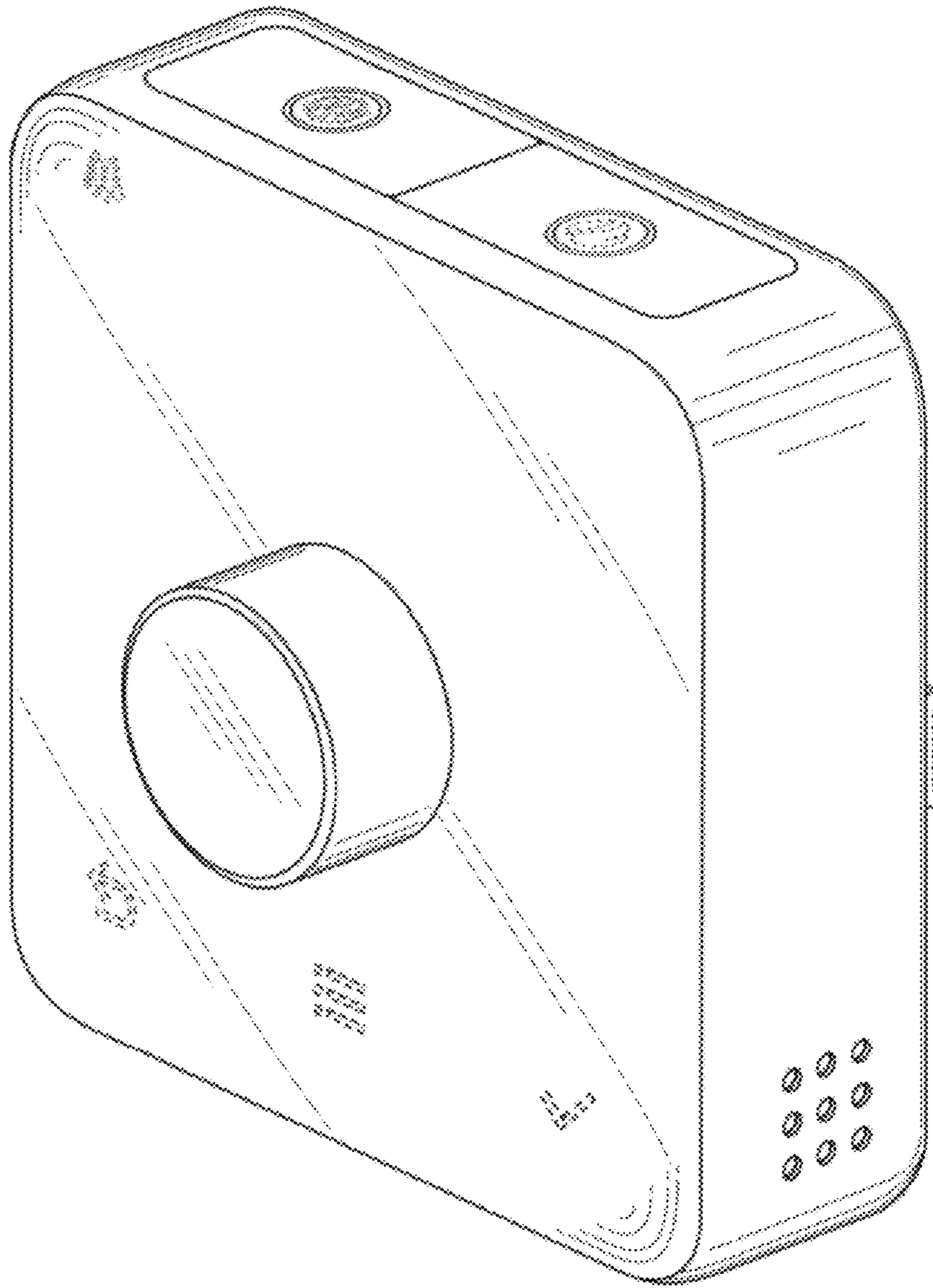


FIG. 1

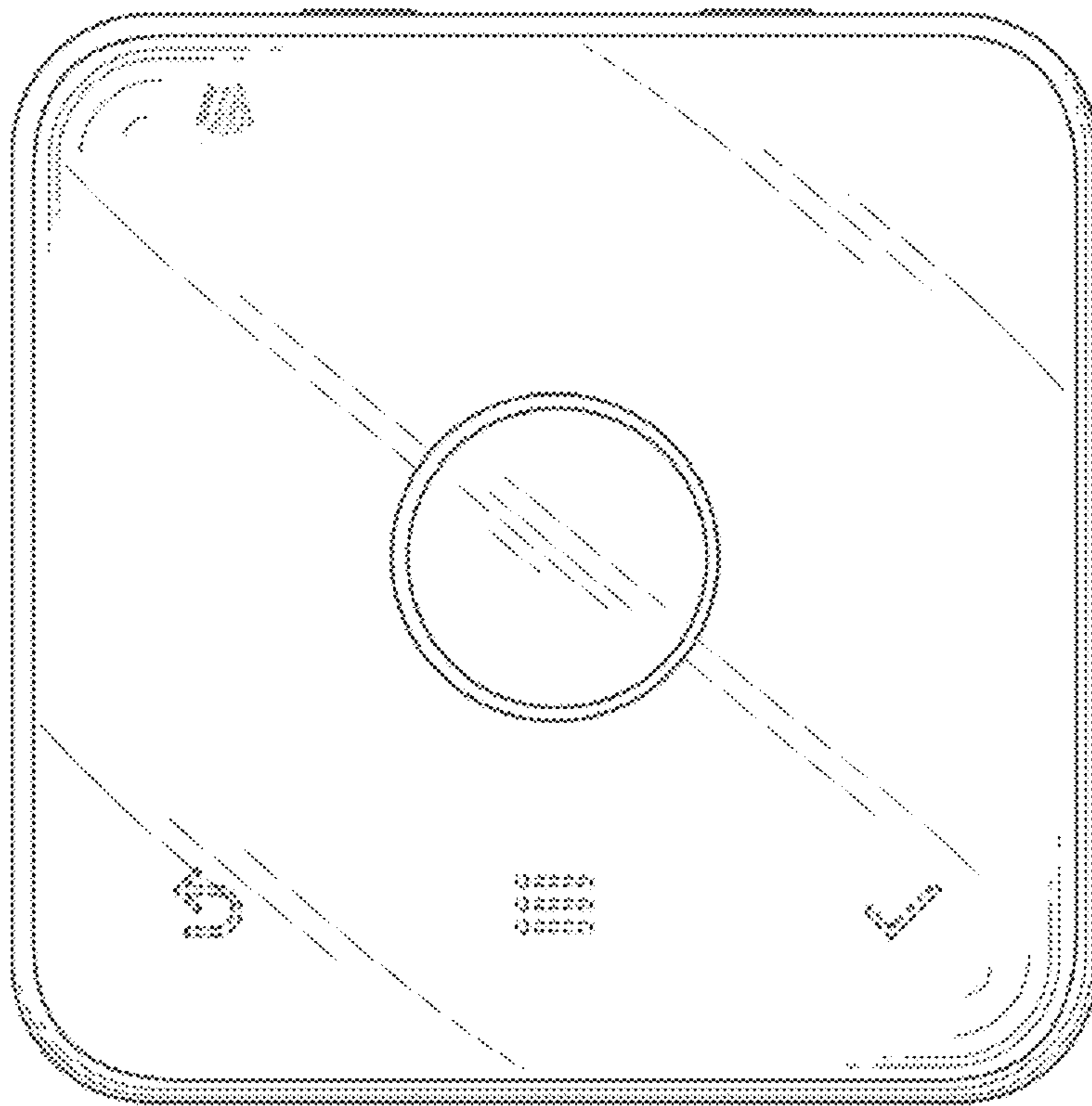


FIG. 2

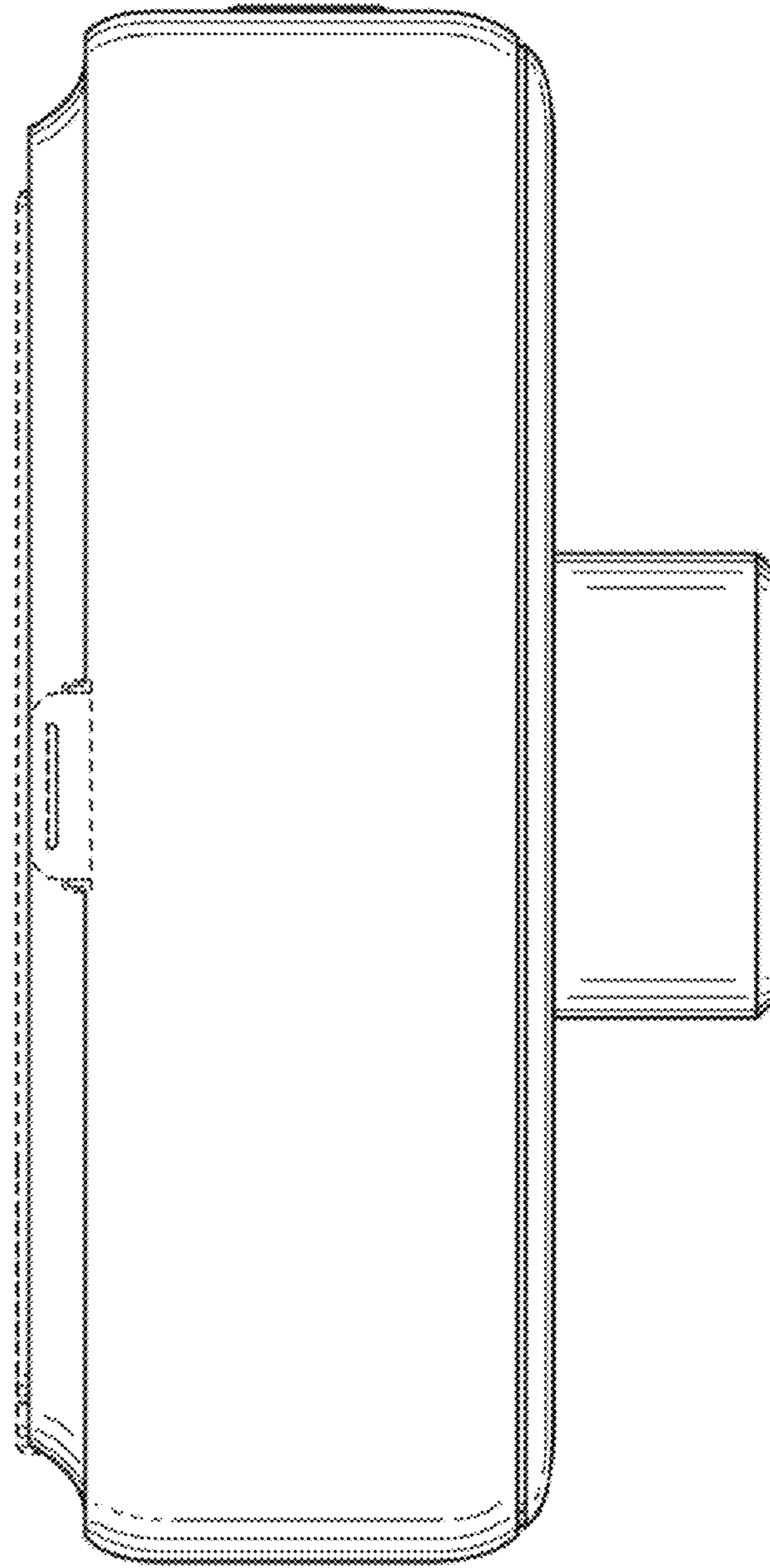


FIG. 3

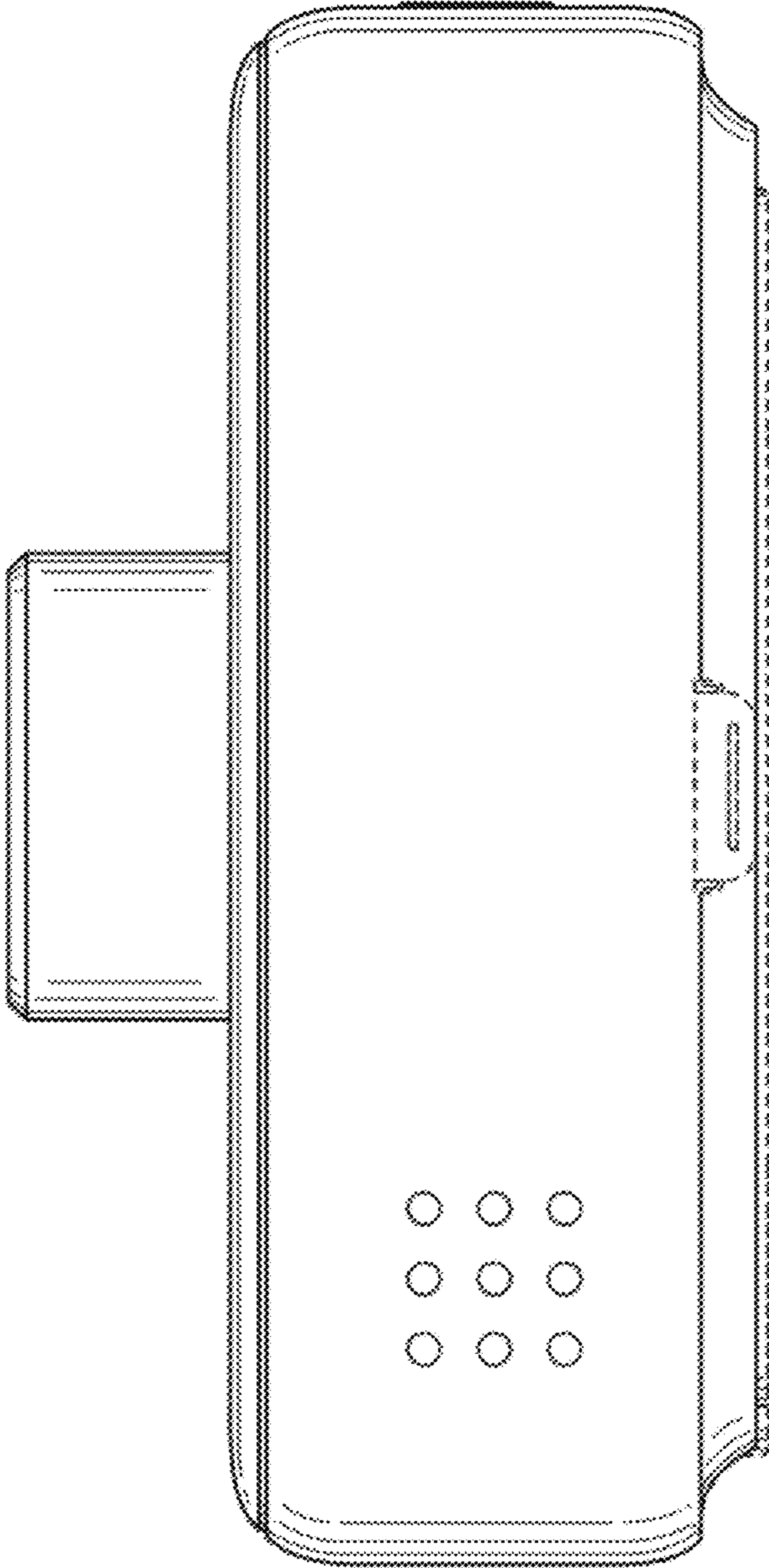


FIG. 4

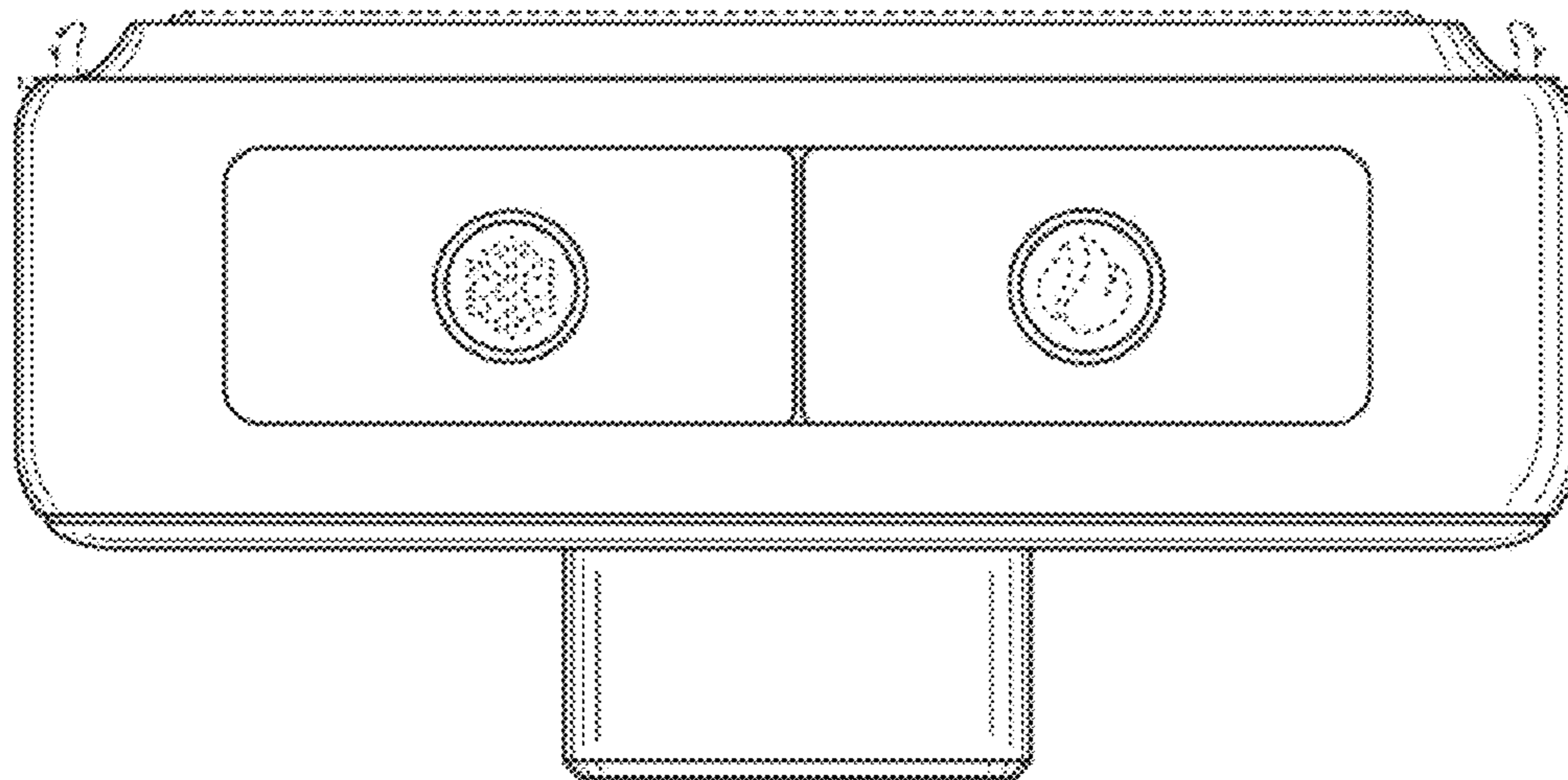


FIG. 5

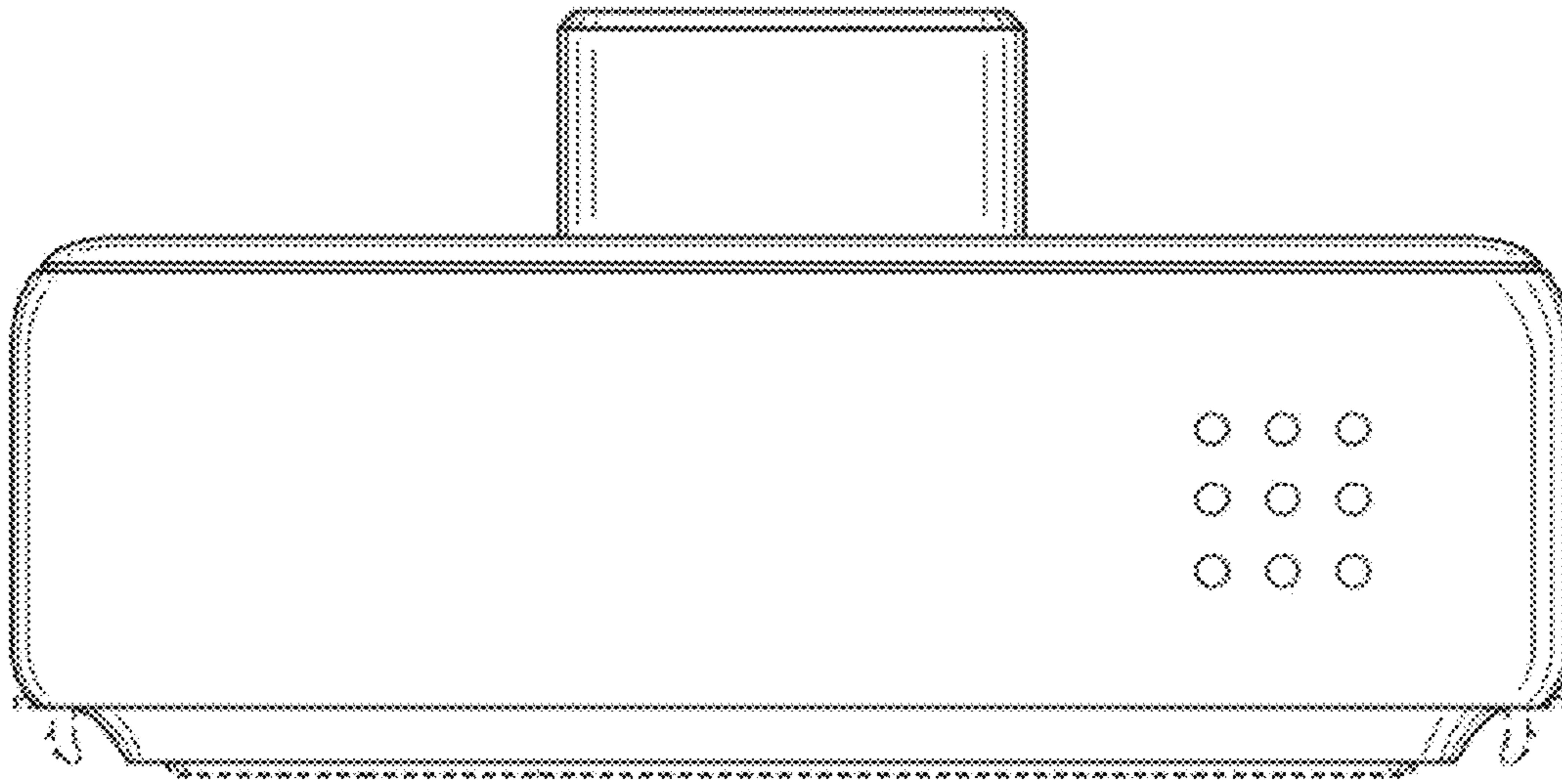


FIG. 6

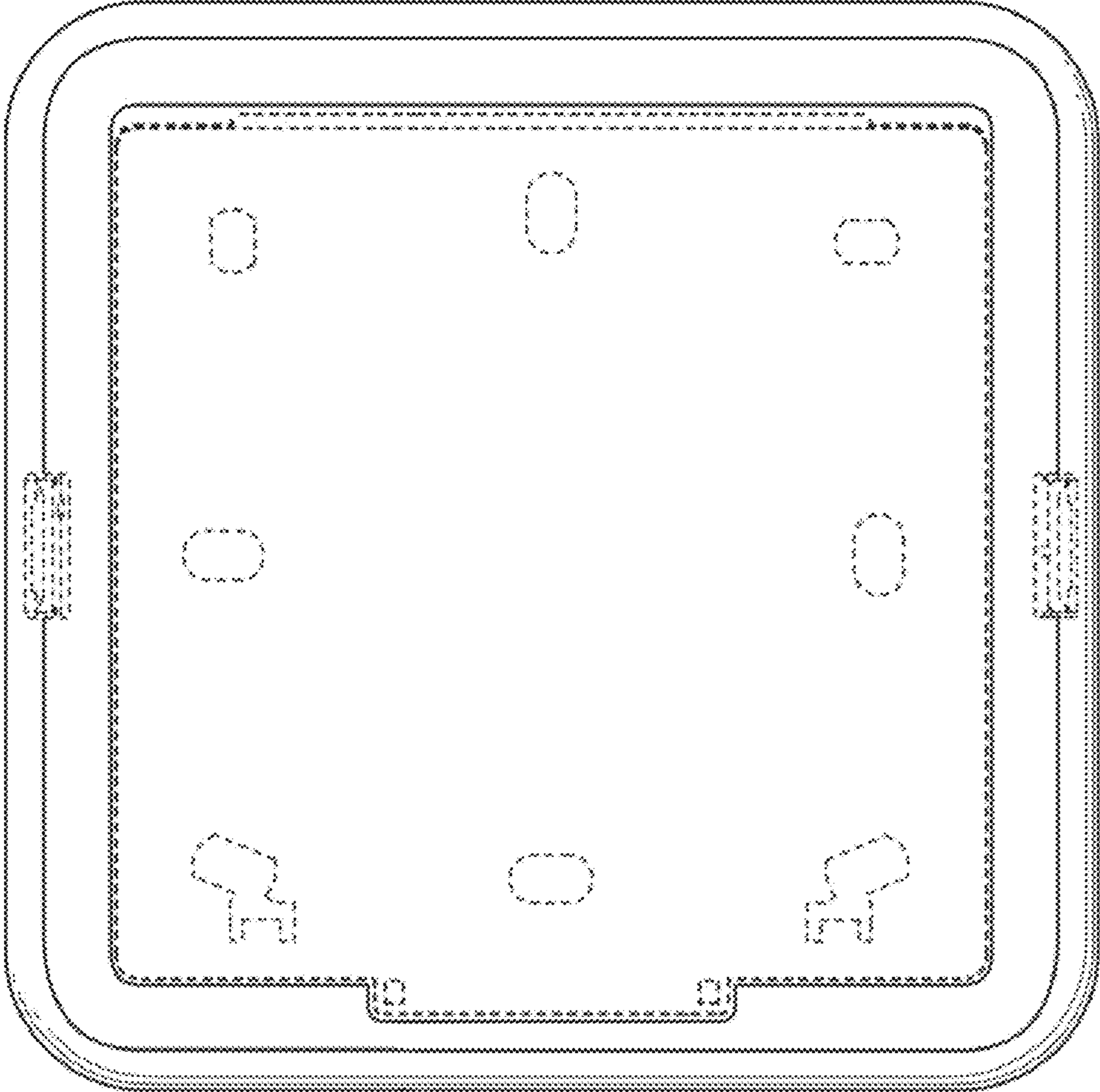


FIG. 7