



US00D811244S

(12) **United States Design Patent**
Klein

(10) **Patent No.:** **US D811,244 S**

(45) **Date of Patent:** **** Feb. 27, 2018**

(54) **MOTOR SENSOR HOUSING WITH
EMBEDDED CURRENT SENSOR MOUNTS**

(71) Applicant: **W.W. Grainger, Inc.**, Lake Forest, IL
(US)

(72) Inventor: **Brice Klein**, Chicago, IL (US)

(73) Assignee: **W.W. Grainger, Inc.**, Lake Forest, IL
(US)

(**) Term: **15 Years**

(21) Appl. No.: **29/571,066**

(22) Filed: **Jul. 14, 2016**

(51) **LOC (11) Cl.** **10-04**

(52) **U.S. Cl.**

USPC **D10/46; D10/80; D10/102**

(58) **Field of Classification Search**

USPC D10/46, 60, 74, 80, 102, 103

CPC G08B 21/187; G08B 21/182; G05B 15/02;

G07C 3/00; G07C 5/0808; G07C 5/085;

F16M 13/02; F16B 1/00; F16B

2001/0035

See application file for complete search history.

(56) **References Cited**

U.S. PATENT DOCUMENTS

D699,139 S * 2/2014 Schwenn D10/103

8,939,417 B1 * 1/2015 Wengreen F16M 11/041

248/205.3

9,587,990 B2 * 3/2017 McCord G01K 1/14

* cited by examiner

Primary Examiner — Antoine Duval Davis

(74) *Attorney, Agent, or Firm* — Greenberg Traurig, LLP

(57) **CLAIM**

The ornamental design for a motor sensor housing with embedded current sensor mounts, as shown and described.

DESCRIPTION

FIG. 1 is a front perspective view of a motor sensor housing with embedded current sensor mounts showing my new design;

FIG. 2 is a rear perspective view thereof;

FIG. 3 is a front side elevational view thereof;

FIG. 4 is a rear side elevational view thereof;

FIG. 5 is a top plan view thereof;

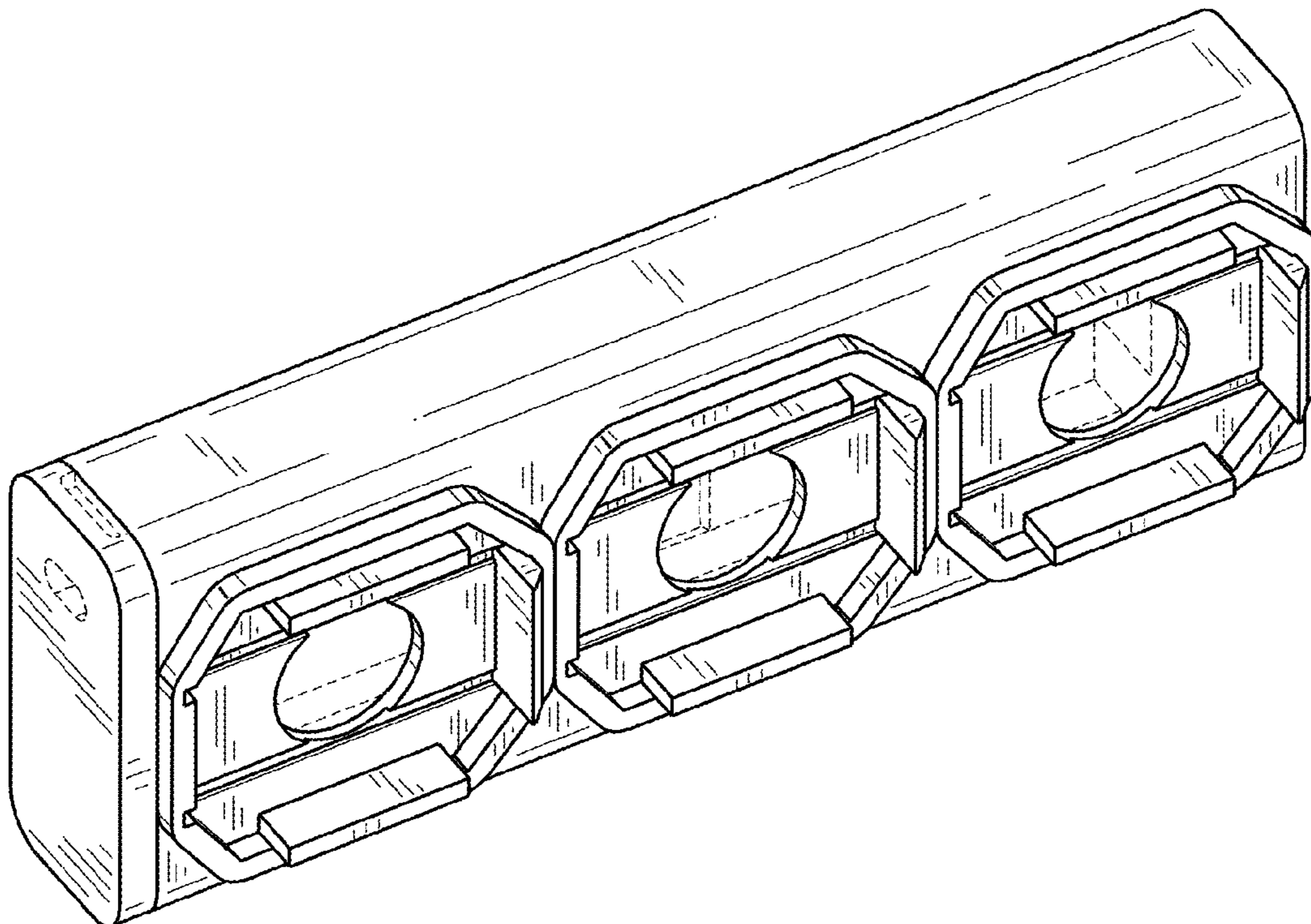
FIG. 6 is a bottom view thereof;

FIG. 7 is a right side elevational view thereof; and,

FIG. 8 is a left side elevational view thereof.

The broken lines shown in the figures illustrate portions of the motor sensor housing that form no part of the claimed design.

1 Claim, 4 Drawing Sheets



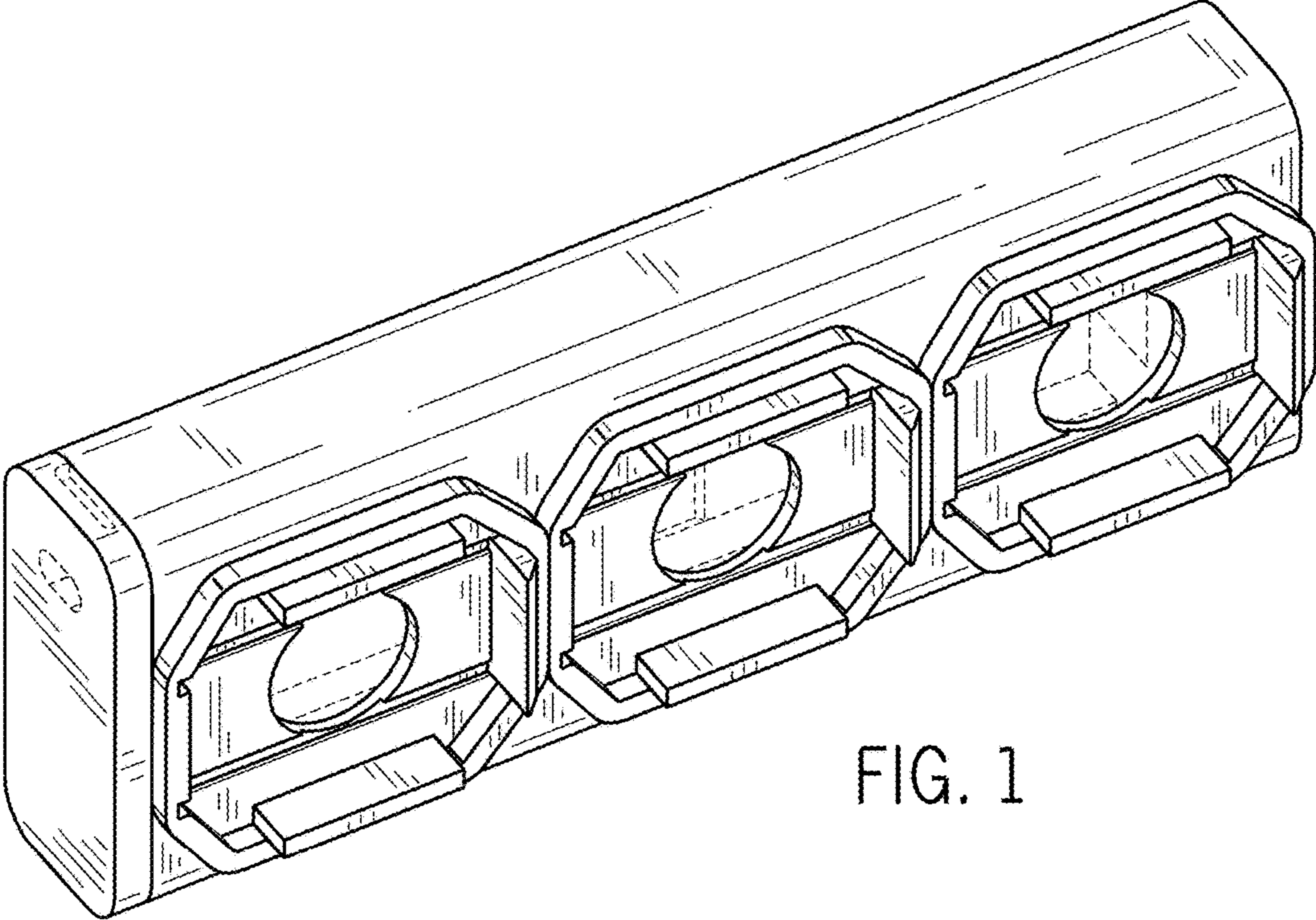


FIG. 1

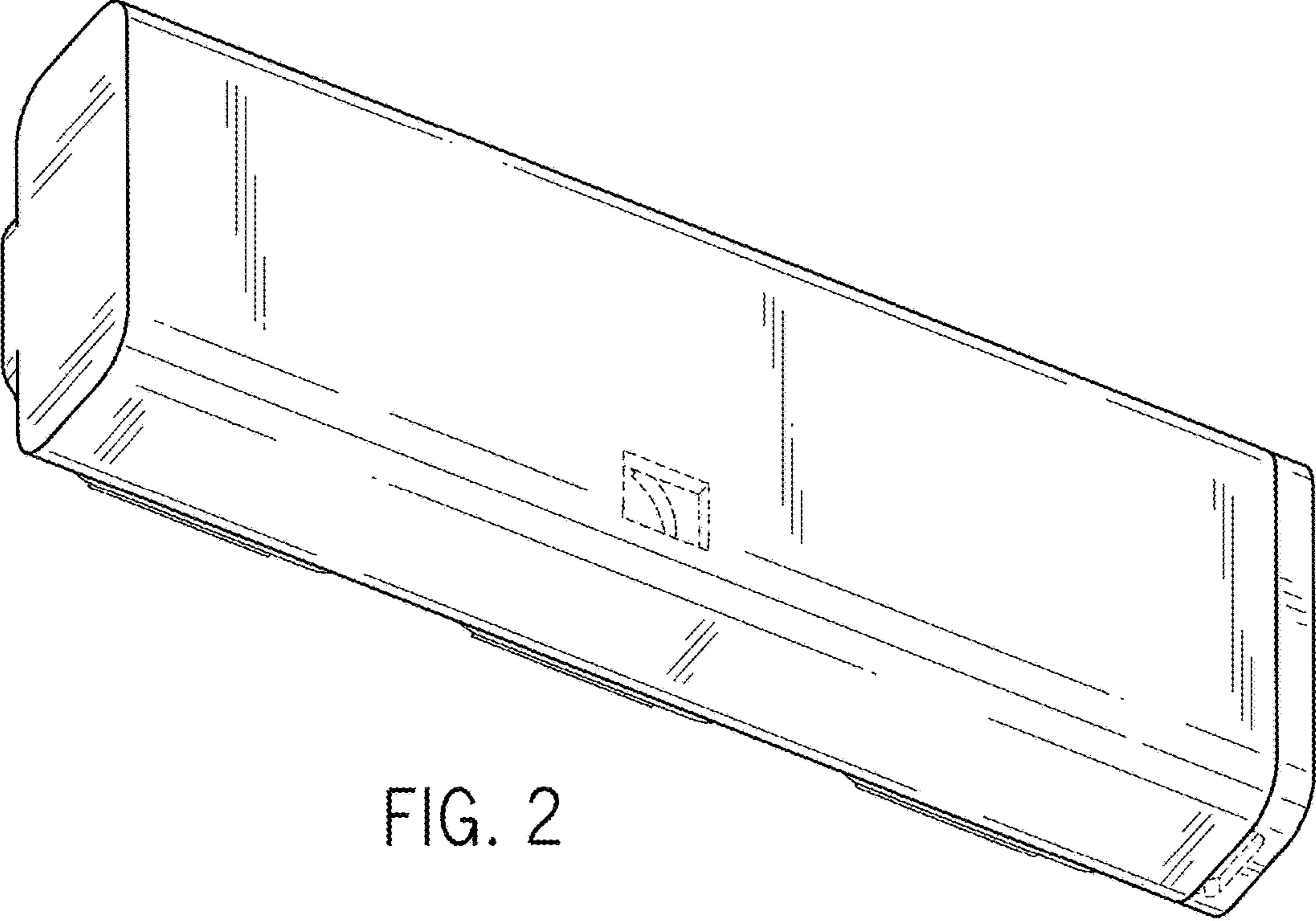


FIG. 2

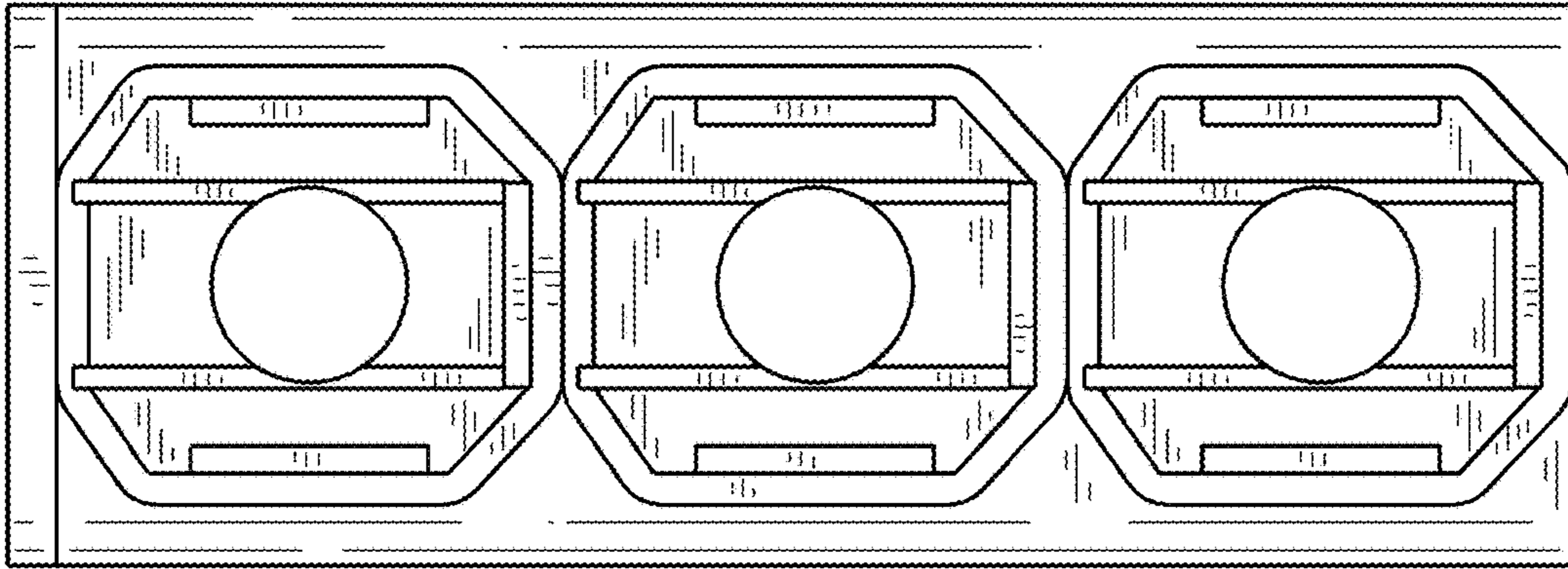


FIG. 3

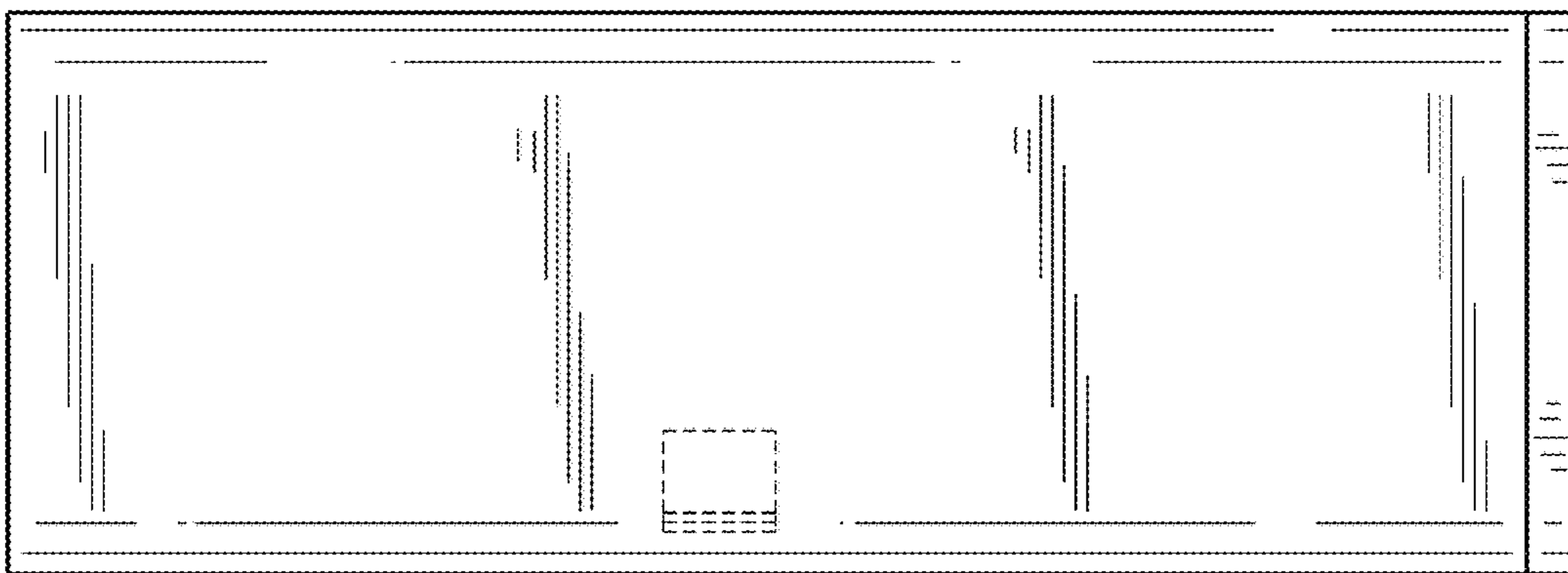


FIG. 4

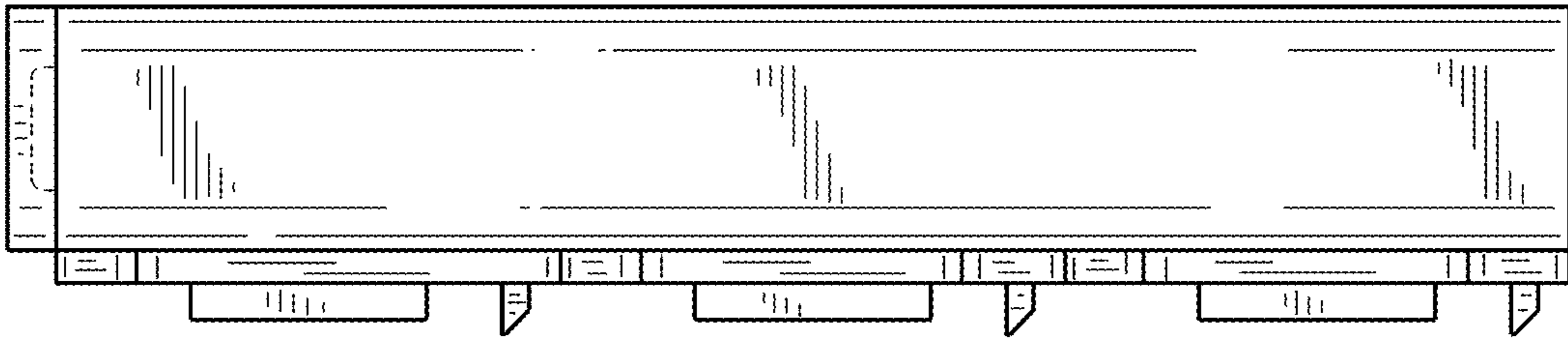


FIG. 5

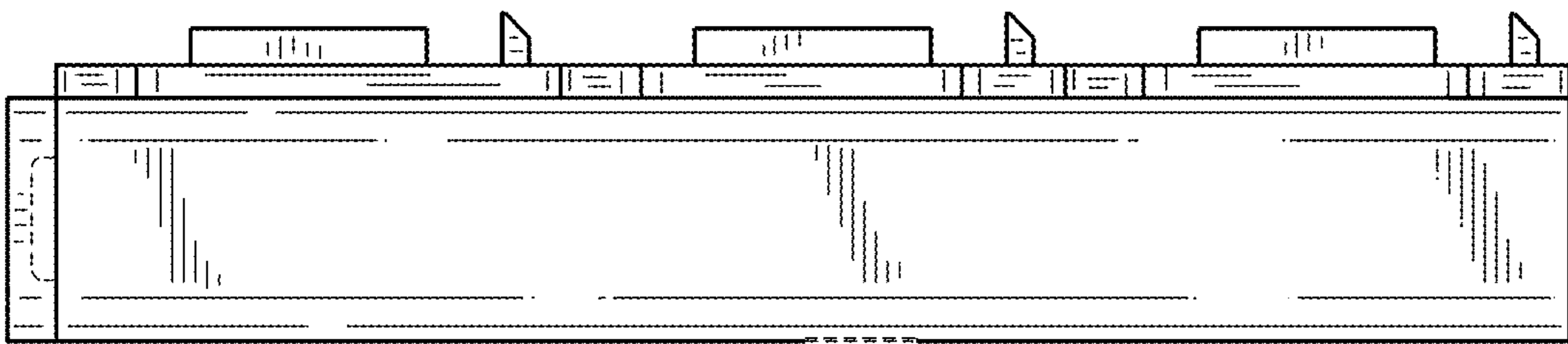


FIG. 6

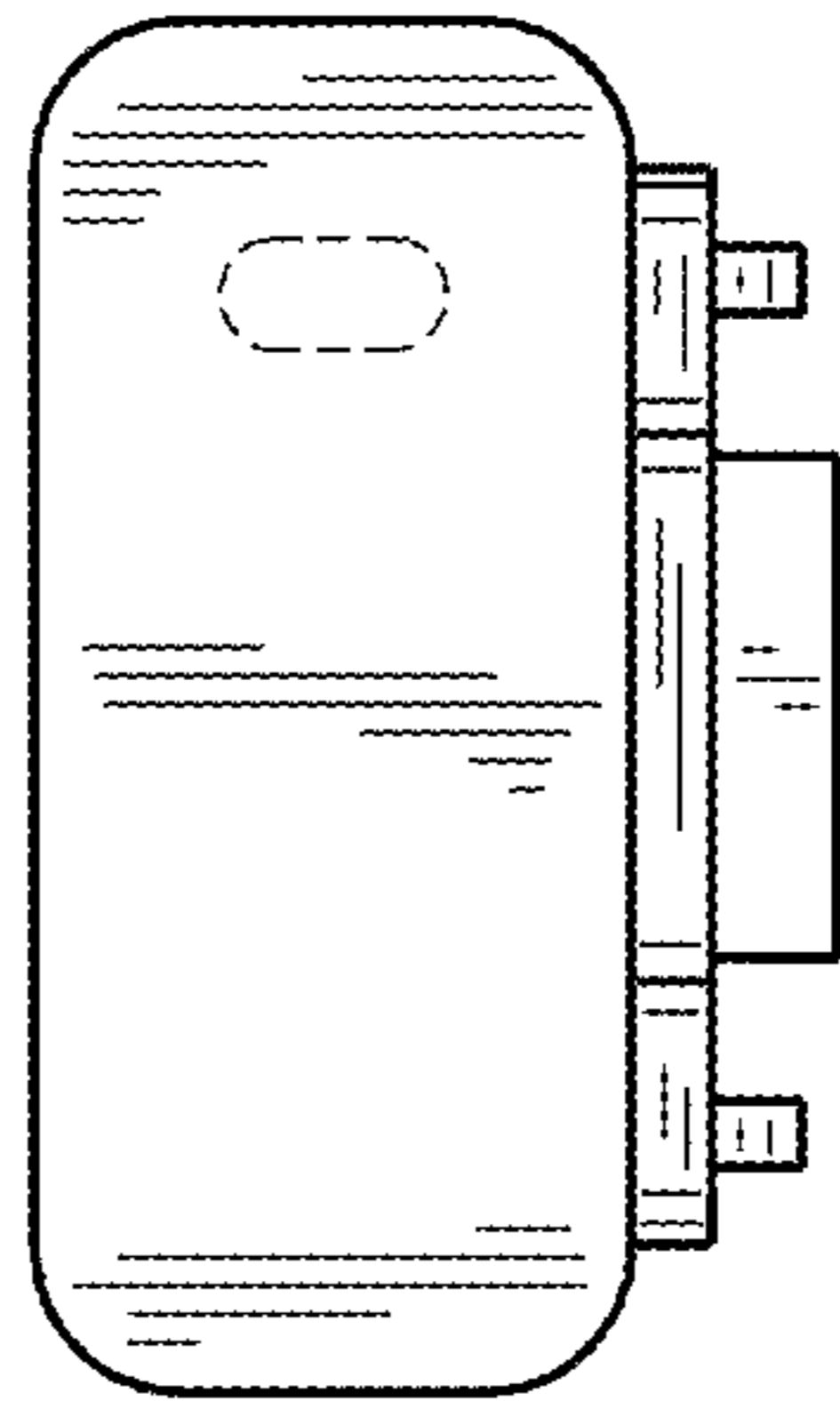


FIG. 7

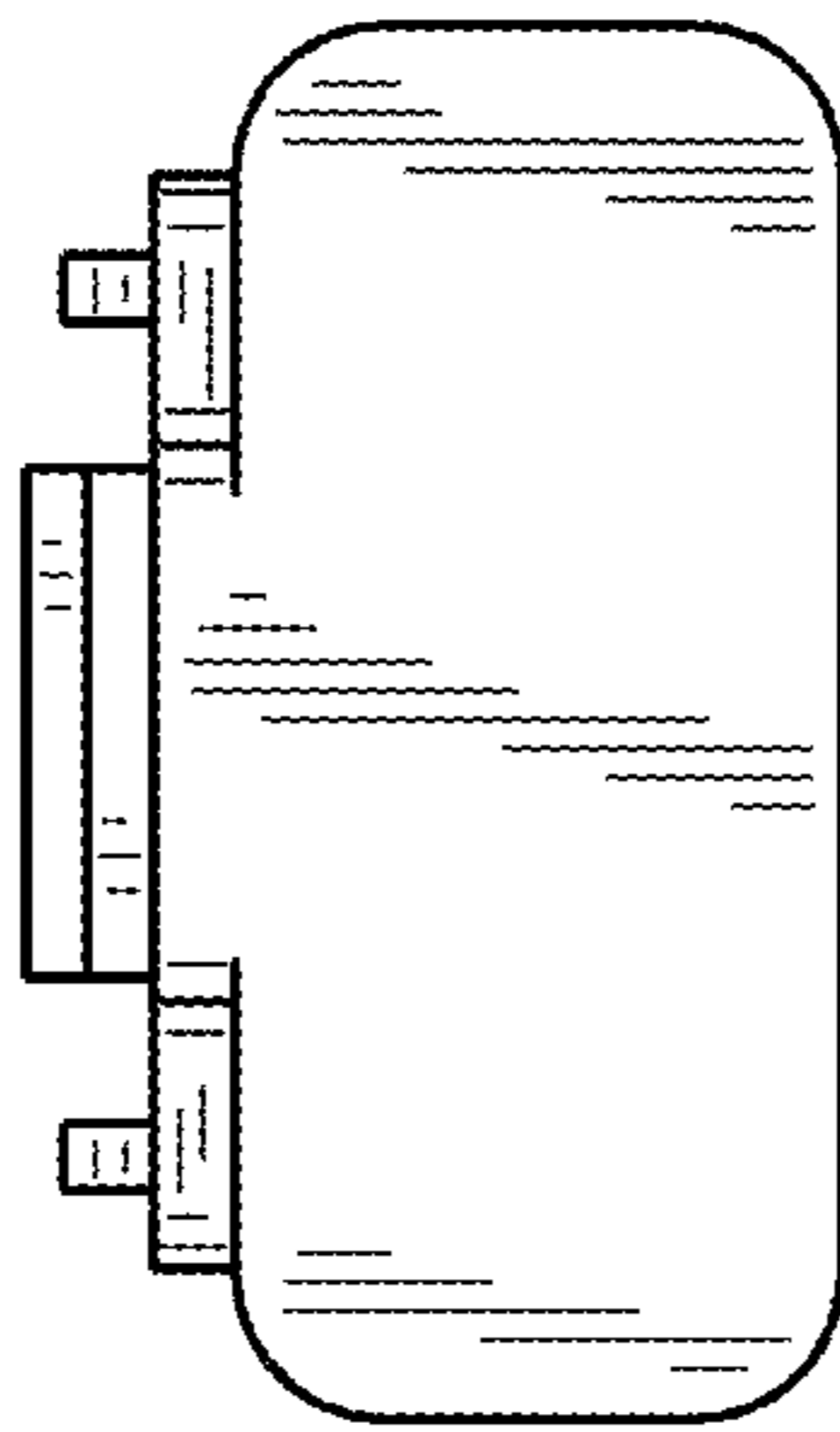


FIG. 8