



US00D811243S

(12) **United States Design Patent**
White et al.

(10) **Patent No.:** **US D811,243 S**
(45) **Date of Patent:** **** Feb. 27, 2018**

- (54) **WATCH**
- (71) Applicant: **Nixon, Inc.**, Encinitas, CA (US)
- (72) Inventors: **Tyson White**, Encinitas, CA (US); **Joe Babcock**, Encinitas, CA (US); **Jenny Sehic**, Encinitas, CA (US)
- (73) Assignee: **NIXON, INC.**, Encinitas, CA (US)
- (**) Term: **15 Years**
- (21) Appl. No.: **29/545,291**
- (22) Filed: **Nov. 11, 2015**
- (51) **LOC (11) Cl.** **10-02**
- (52) **U.S. Cl.**
USPC **D10/39**
- (58) **Field of Classification Search**
USPC D10/30-39, 65, 70, 78, 97, 98; D11/3;
D14/344; D24/167-168, 186
CPC G04B 19/00-19/34; G04B 23/12; G04B
37/00-37/228; G04B 47/00-47/068;
G01C 17/00; G01C 21/00-21/3697;
G01C 22/00-22/025; G06F 19/3481
See application file for complete search history.

D329,020 S *	9/1992	Iwata	D10/30
D350,288 S *	9/1994	Giardiello	D10/30
D363,437 S *	10/1995	Rabassa	D10/30
D371,745 S *	7/1996	Wunderman	D10/32
D390,148 S *	2/1998	Brzezinski	D10/30
D403,253 S *	12/1998	Owen	D10/39
D514,974 S *	2/2006	Andreatta	D10/126
D675,942 S *	2/2013	Giannini	D10/33
D679,200 S *	4/2013	Jacquerye	D10/39
D750,505 S *	3/2016	Cerrato	D10/30
D751,927 S *	3/2016	Li	D10/126
D771,505 S *	11/2016	Cerrato	D10/30
D782,336 S *	3/2017	White	D10/39
D782,339 S *	3/2017	White	D10/39

* cited by examiner

Primary Examiner — Sandra S Snapp
Assistant Examiner — Katherine Glennon
(74) *Attorney, Agent, or Firm* — Northstar Law Group;
Thomas Bassolino

(57) **CLAIM**

The ornamental design for a watch, as shown and described.

DESCRIPTION

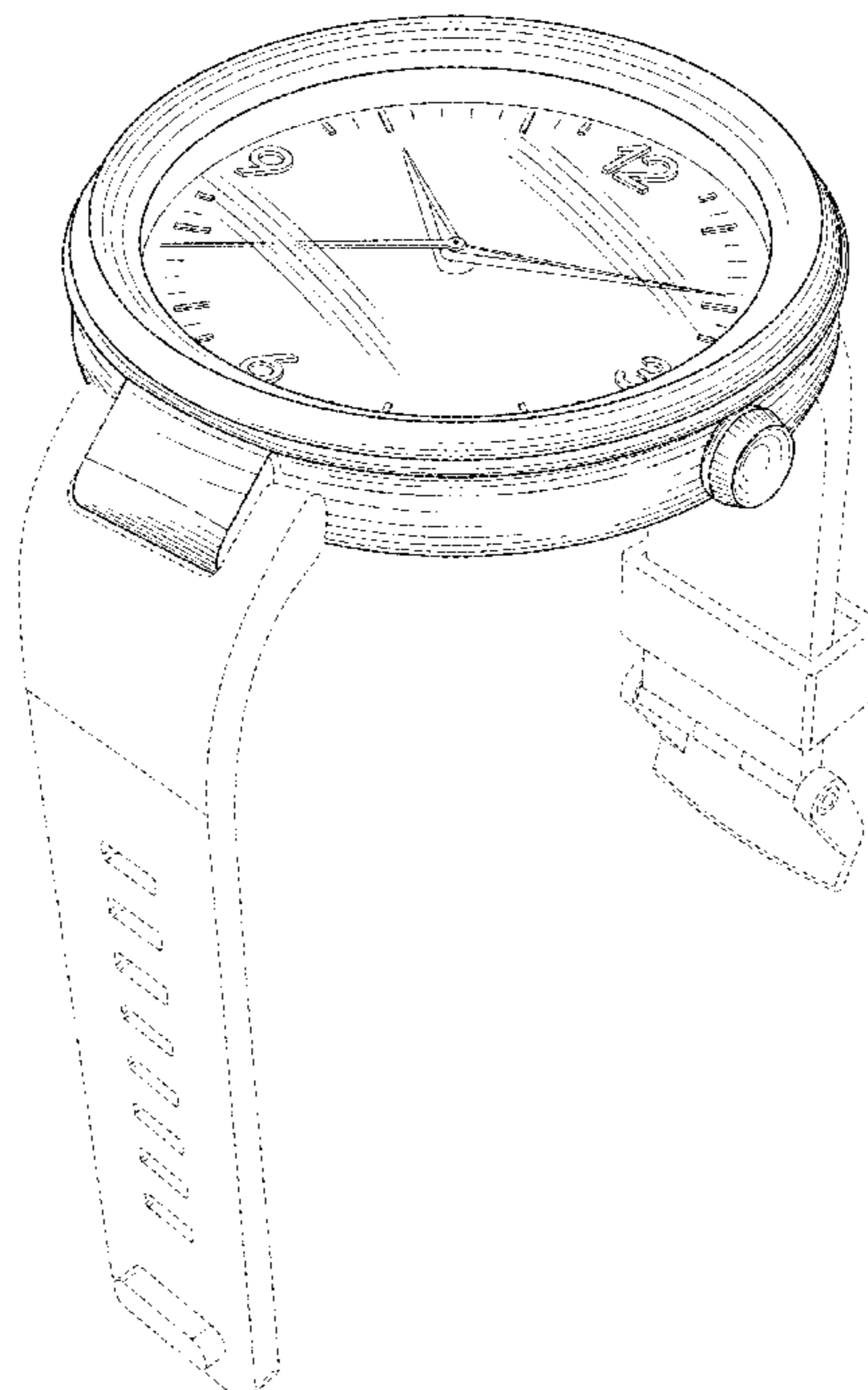
FIG. 1 is a front right perspective view of a watch showing our new design;
FIG. 2 is a front elevation view thereof;
FIG. 3 is a back elevation view thereof;
FIG. 4 is a left side view thereof;
FIG. 5 is a right side view thereof;
FIG. 6 is a top view thereof; and,
FIG. 7 is a bottom view thereof.
The evenly-spaced broken lines showing the watch strap and clasp are for environmental purposes only and form no part of the claimed design.

1 Claim, 6 Drawing Sheets

(56) **References Cited**

U.S. PATENT DOCUMENTS

2,916,871 A *	12/1959	Wegner	G04B 19/30 368/67
3,552,117 A *	1/1971	Parris	G04B 37/127 224/180
D240,026 S *	5/1976	Szalek	D10/126
4,970,708 A *	11/1990	Gagnebin	G04B 37/0008 368/281



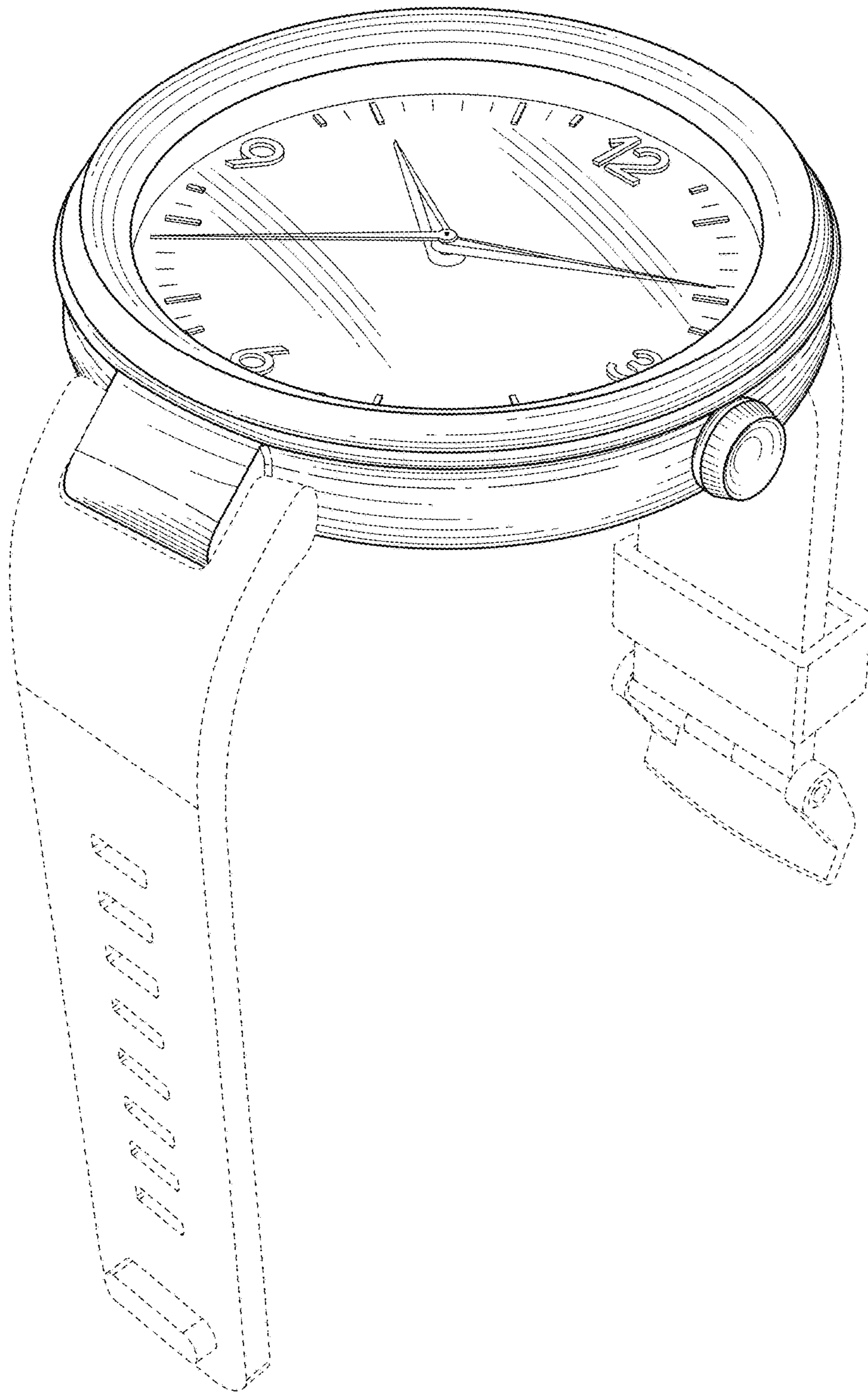


FIG. 1

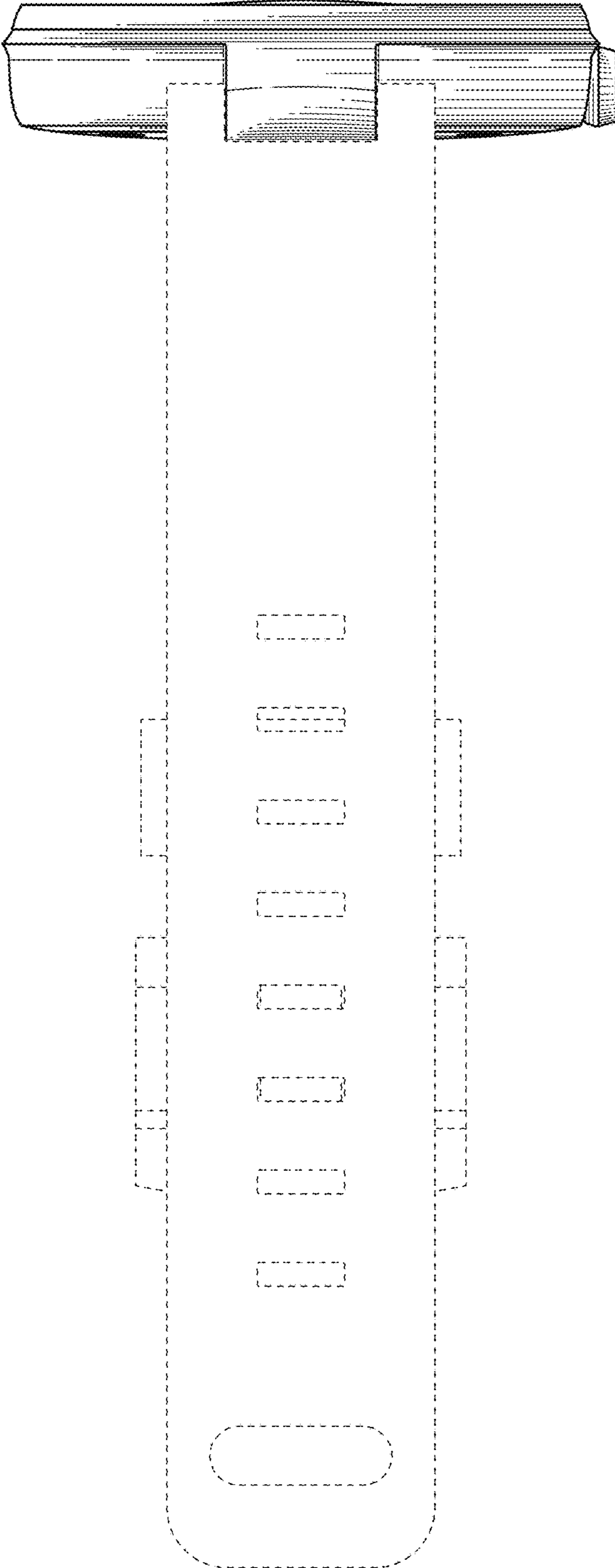


FIG. 2

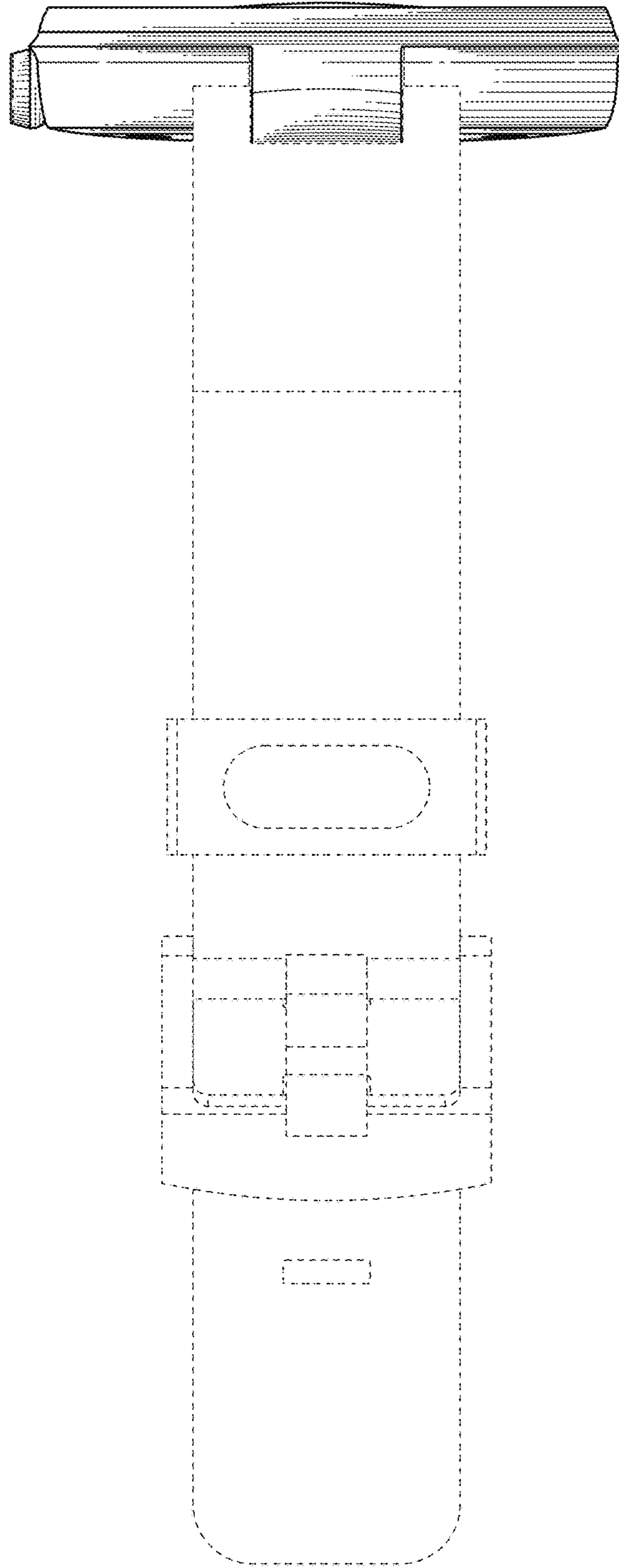


FIG. 3

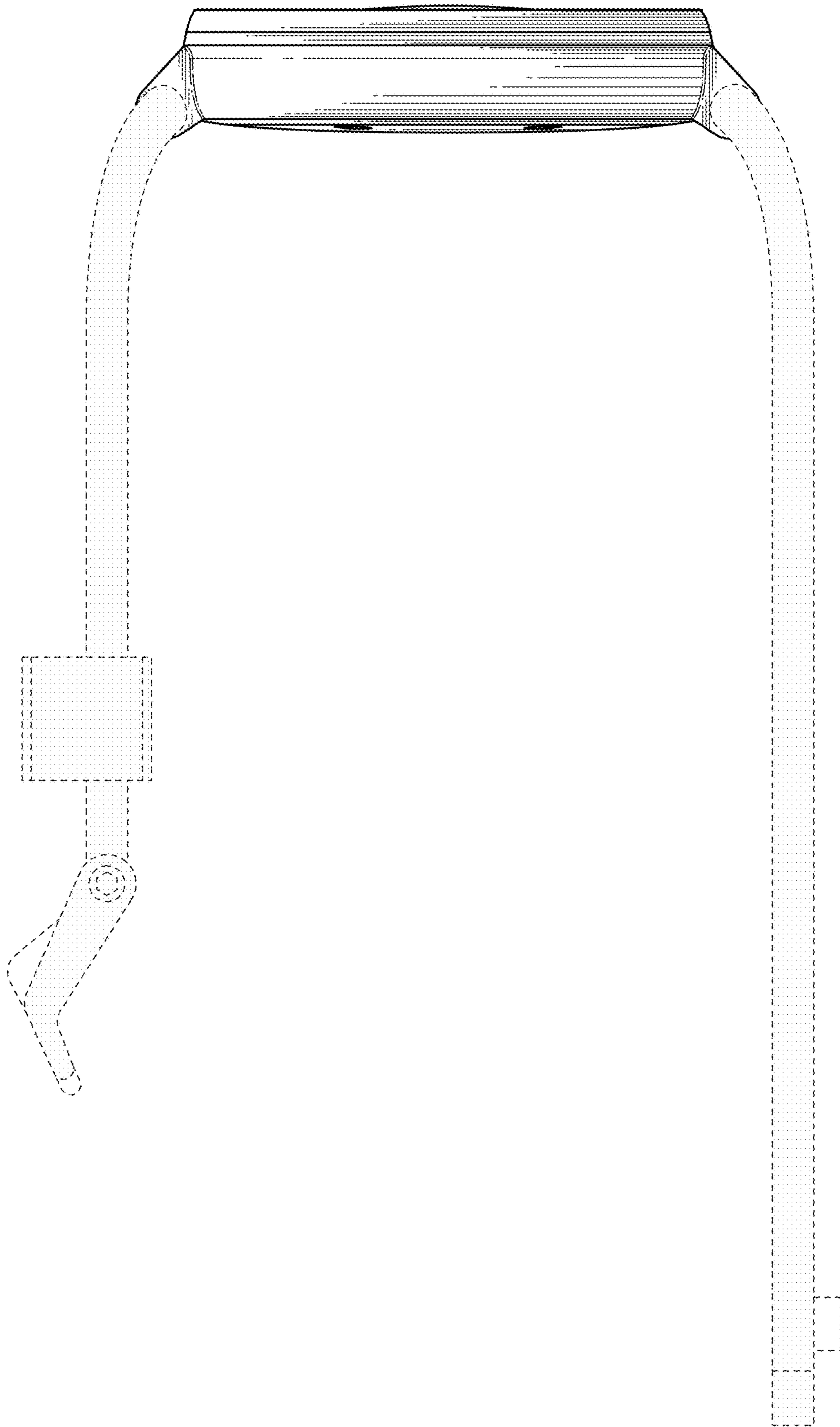


FIG. 4

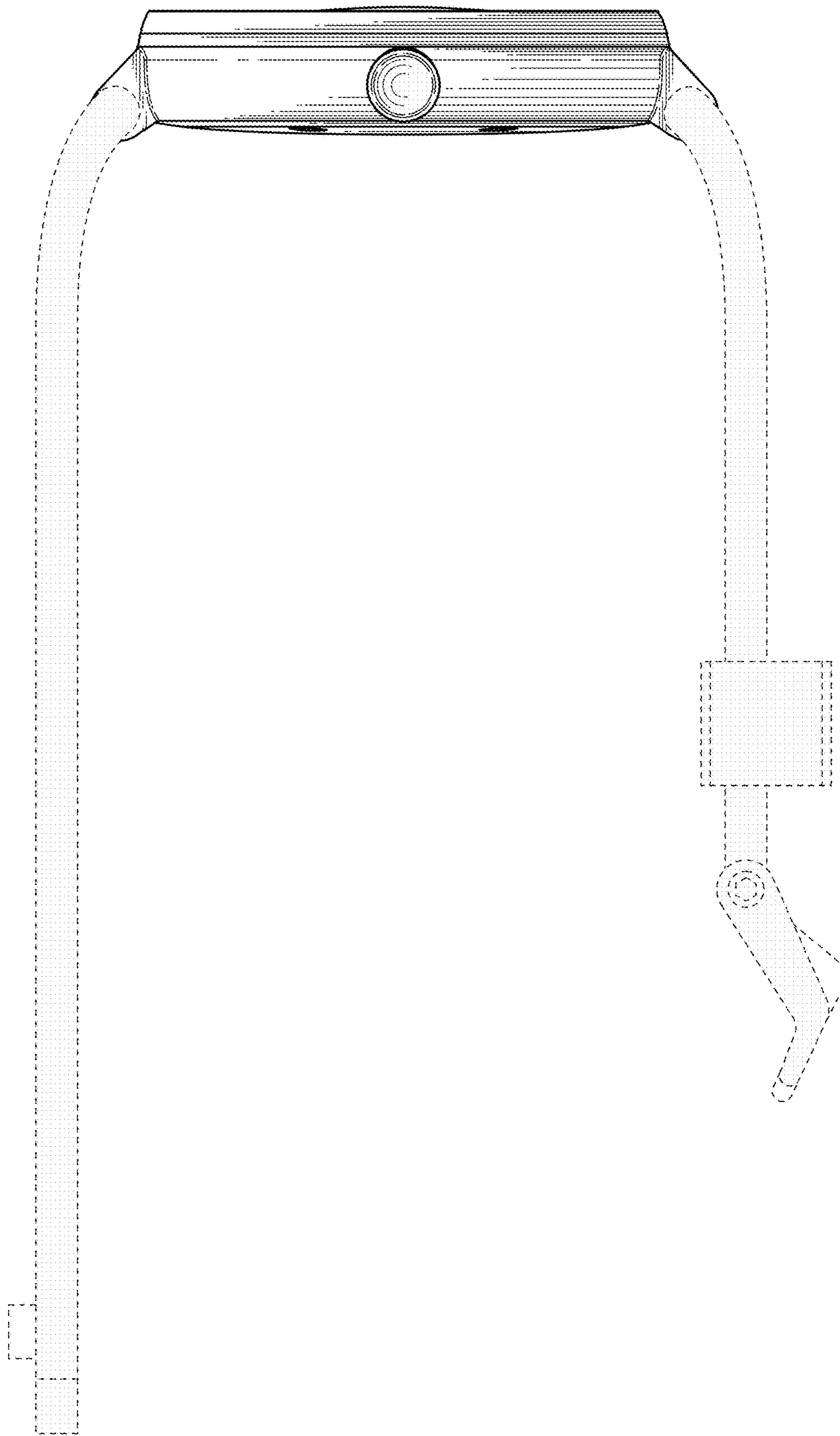


FIG. 5

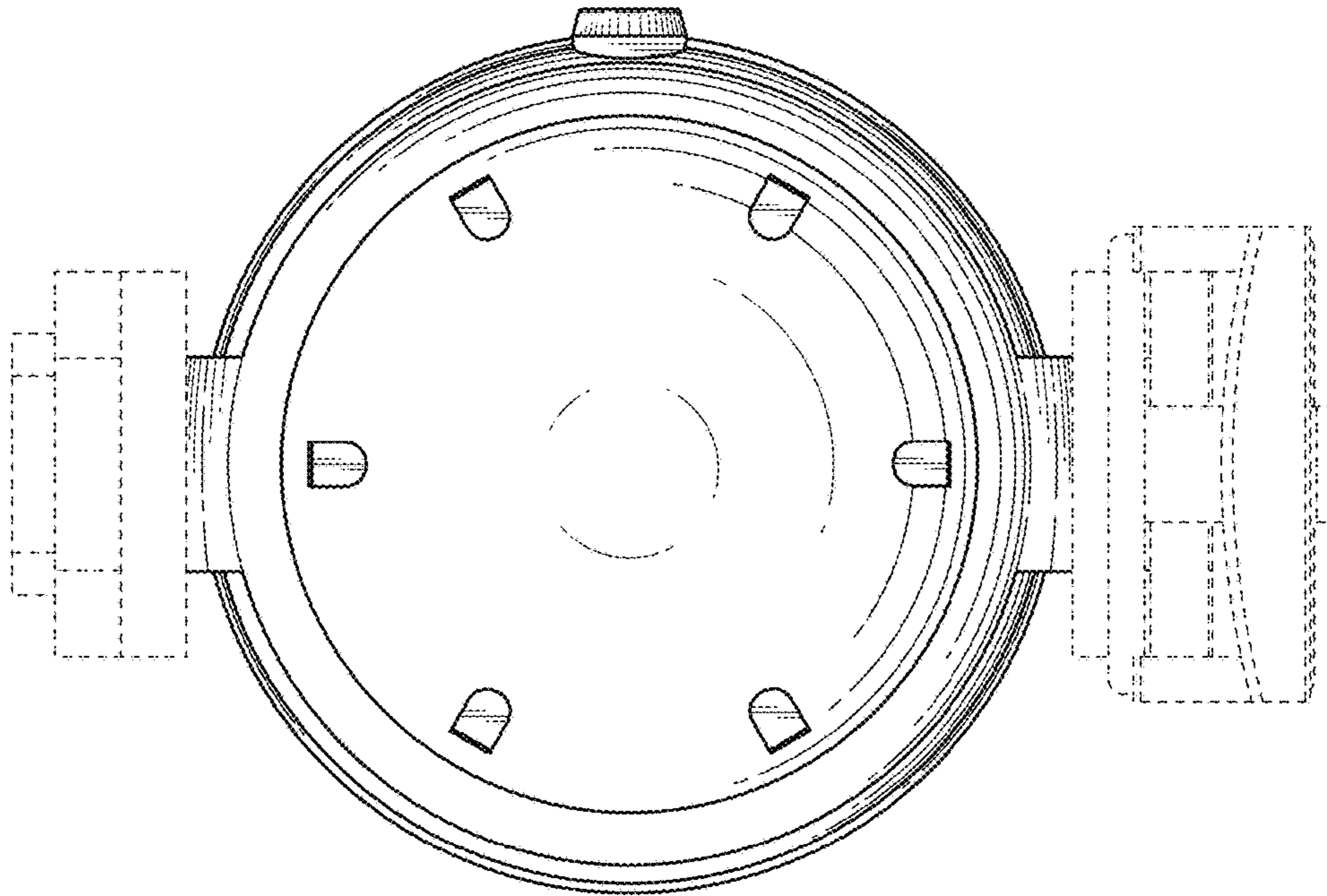


FIG. 7

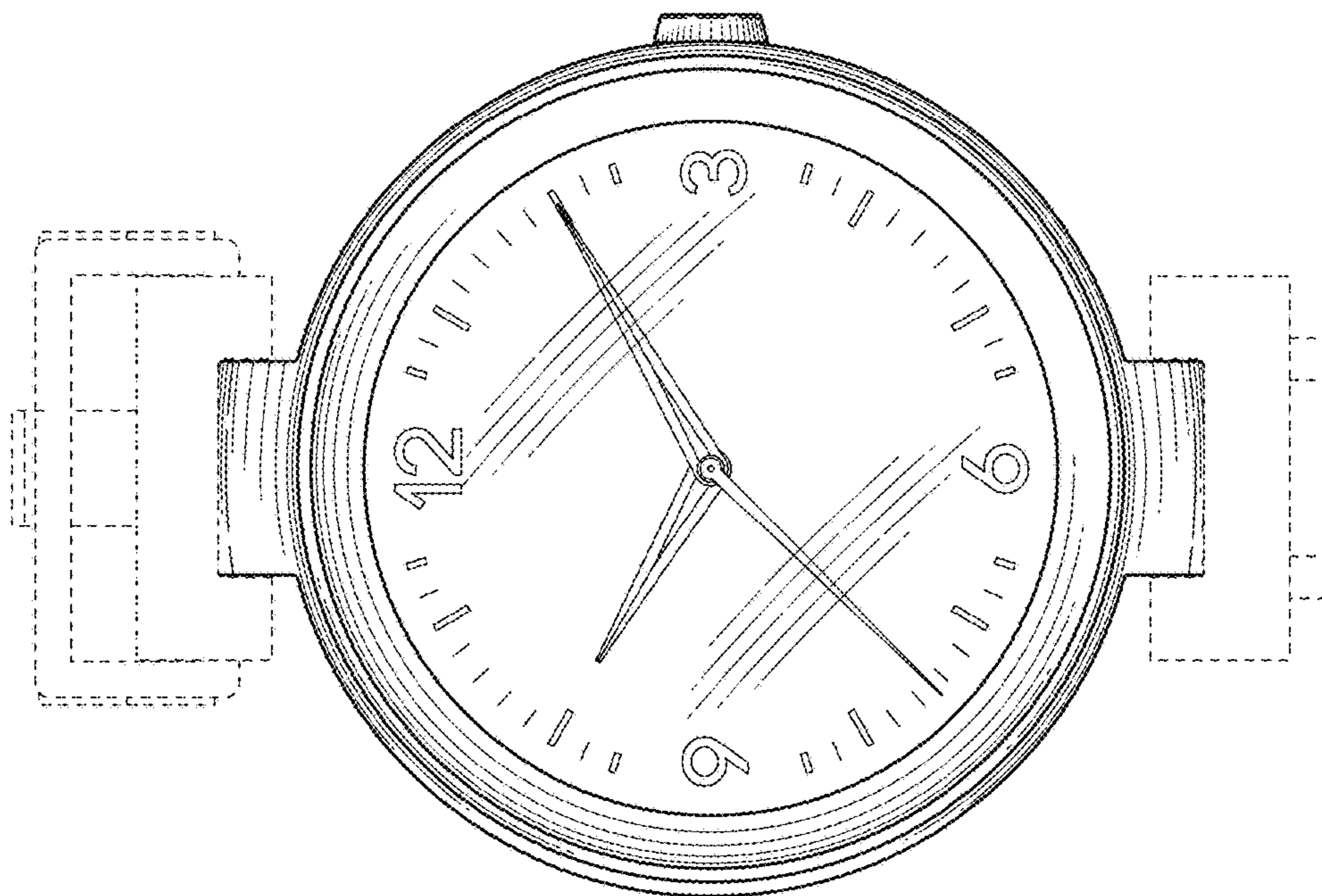


FIG. 6