



US00D811241S

(12) **United States Design Patent**
Favre

(10) **Patent No.:** **US D811,241 S**

(45) **Date of Patent:** **** Feb. 27, 2018**

(54) **WATCH CASE**

(71) Applicant: **Richemont International SA,**
Villars-sur-Glane (CH)

(72) Inventor: **Lionel Favre,** Ambilly (FR)

(73) Assignee: **Richemont International SA,**
Villars-sur-Glane (CH)

(**) Term: **15 Years**

(21) Appl. No.: **29/571,090**

(22) Filed: **Jul. 14, 2016**

(30) **Foreign Application Priority Data**

Jan. 15, 2016 (WO) 951229601

(51) **LOC (11) Cl.** **10-02**

(52) **U.S. Cl.**
USPC **D10/33**

(58) **Field of Classification Search**

USPC D10/1-39, 122-132; D11/2-5, 12, 14
CPC G04B 17/00; G04B 17/02; G04B 17/005;
G04B 17/285; G04B 37/00; G04B 37/00;
G04B 37/0058; G04B 45/00; G04B
45/02; G04B 45/038; G04B 45/0069;
G04B 45/0076; G04B 29/00

See application file for complete search history.

(56) **References Cited**

U.S. PATENT DOCUMENTS

D157,663 S * 3/1950 Dinhofer D10/38
D158,759 S * 5/1950 Katz D11/4

D165,152 S * 11/1951 Granat D10/128
D343,508 S * 1/1994 Jones D2/606
D456,720 S * 5/2002 Brzezinski D10/30
D472,180 S * 3/2003 Lee D11/26
D517,442 S * 3/2006 Polk, III D11/4
D547,026 S * 7/2007 Grison D2/600
D628,502 S * 12/2010 Hayek D10/39
D668,969 S * 10/2012 Chastaingt D10/38
D715,659 S * 10/2014 Graff D10/34
D758,214 S * 6/2016 Gueit D10/36

* cited by examiner

Primary Examiner — Sheryl Lane

Assistant Examiner — Calvin E Vansant

(74) *Attorney, Agent, or Firm* — Taft Stettinius &
Hollister LLP

(57) **CLAIM**

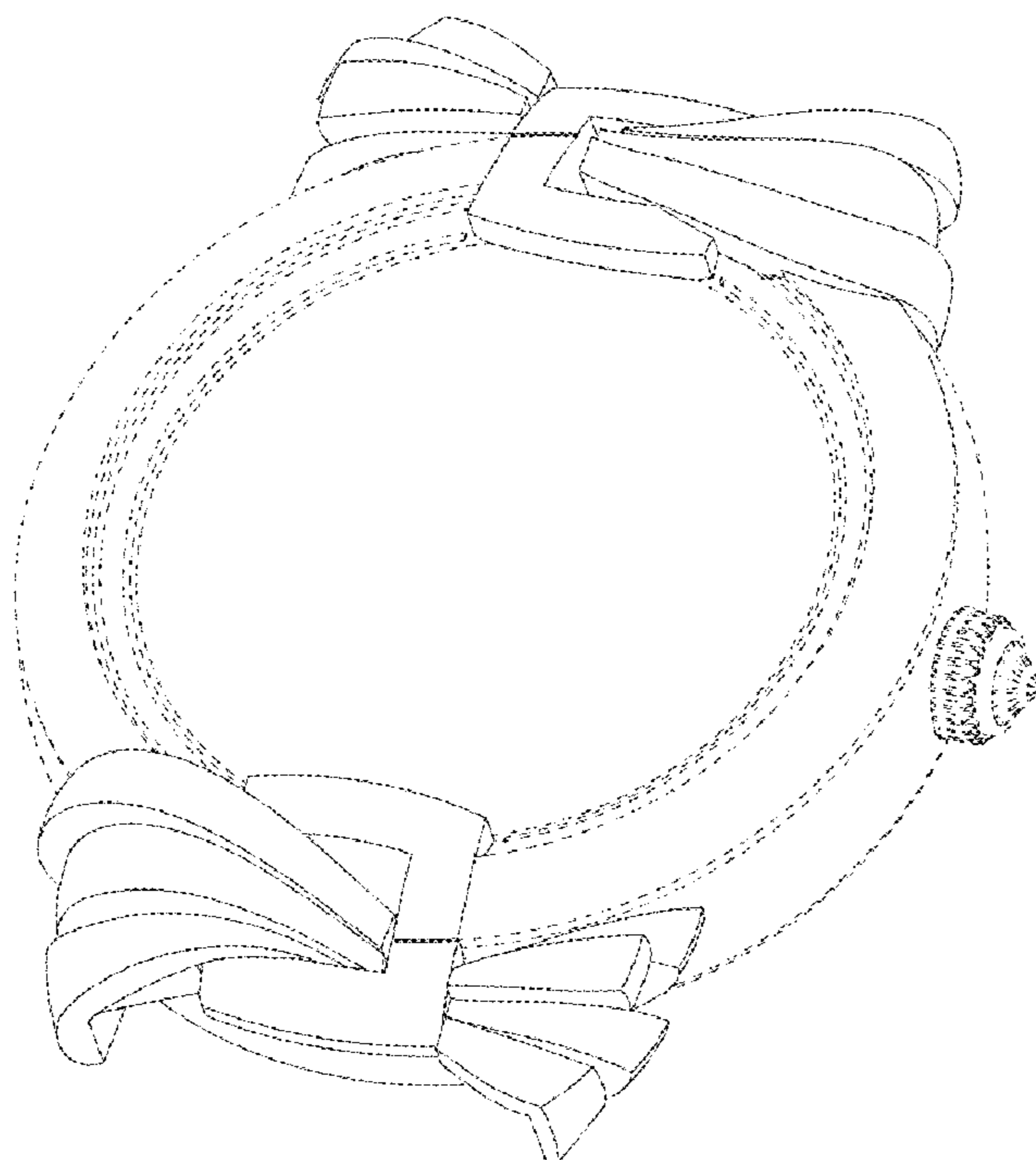
The ornamental design for a watch case, as shown and described.

DESCRIPTION

FIG. 1 is a front plan view of a watch case showing my new design;
FIG. 2 is a rear plan view thereof;
FIG. 3 is a right side elevational view thereof;
FIG. 4 is a left side elevational view thereof;
FIG. 5 is a bottom elevational view thereof;
FIG. 6 is a top elevational view thereof;
FIG. 7 is a front, right perspective view thereof; and,
FIG. 8 is a rear, left perspective view thereof.

The broken lines in the drawing figures depict unclaimed subject matter that forms no part of the claimed design.

1 Claim, 1 Drawing Sheet



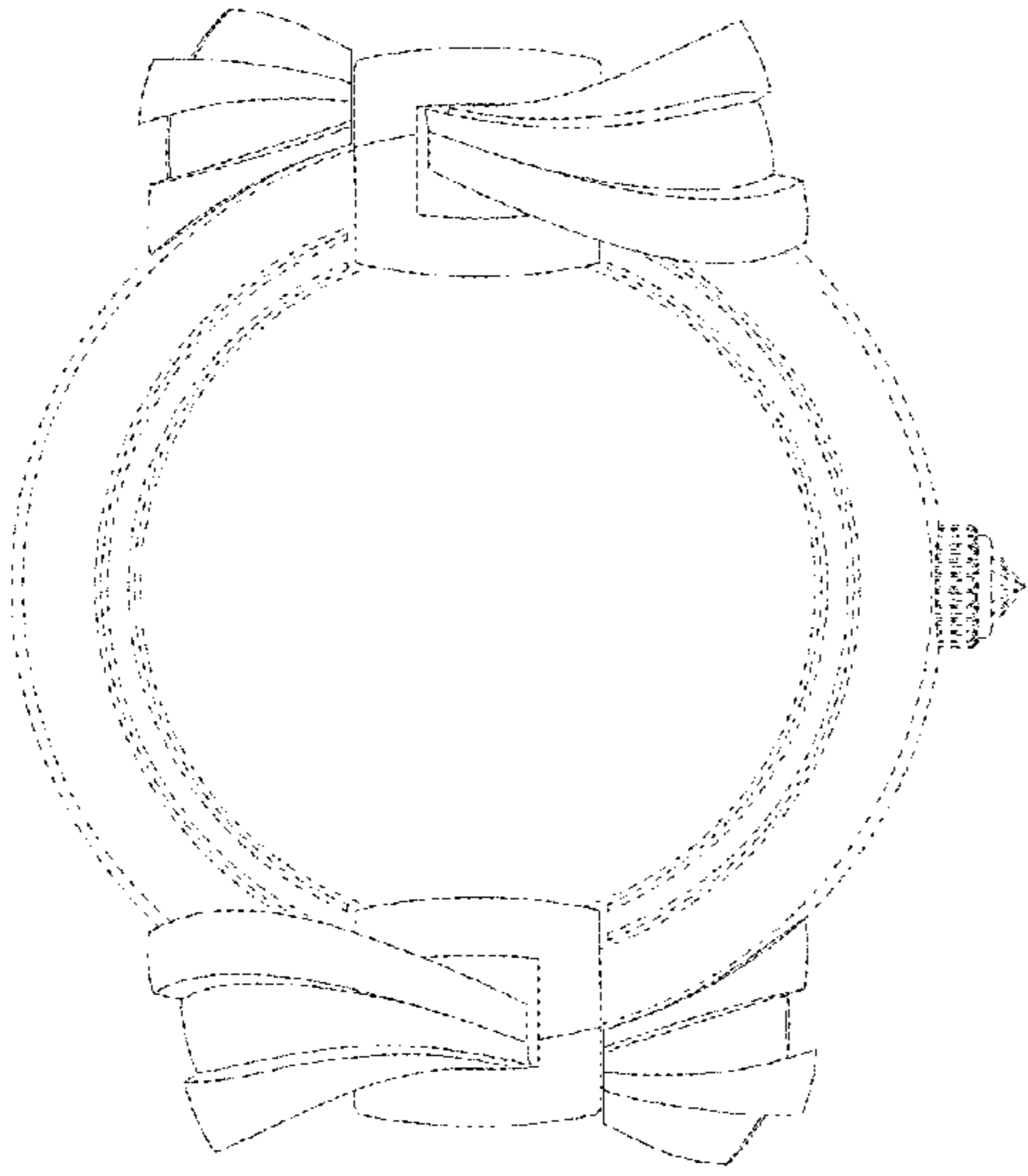


Fig. 1

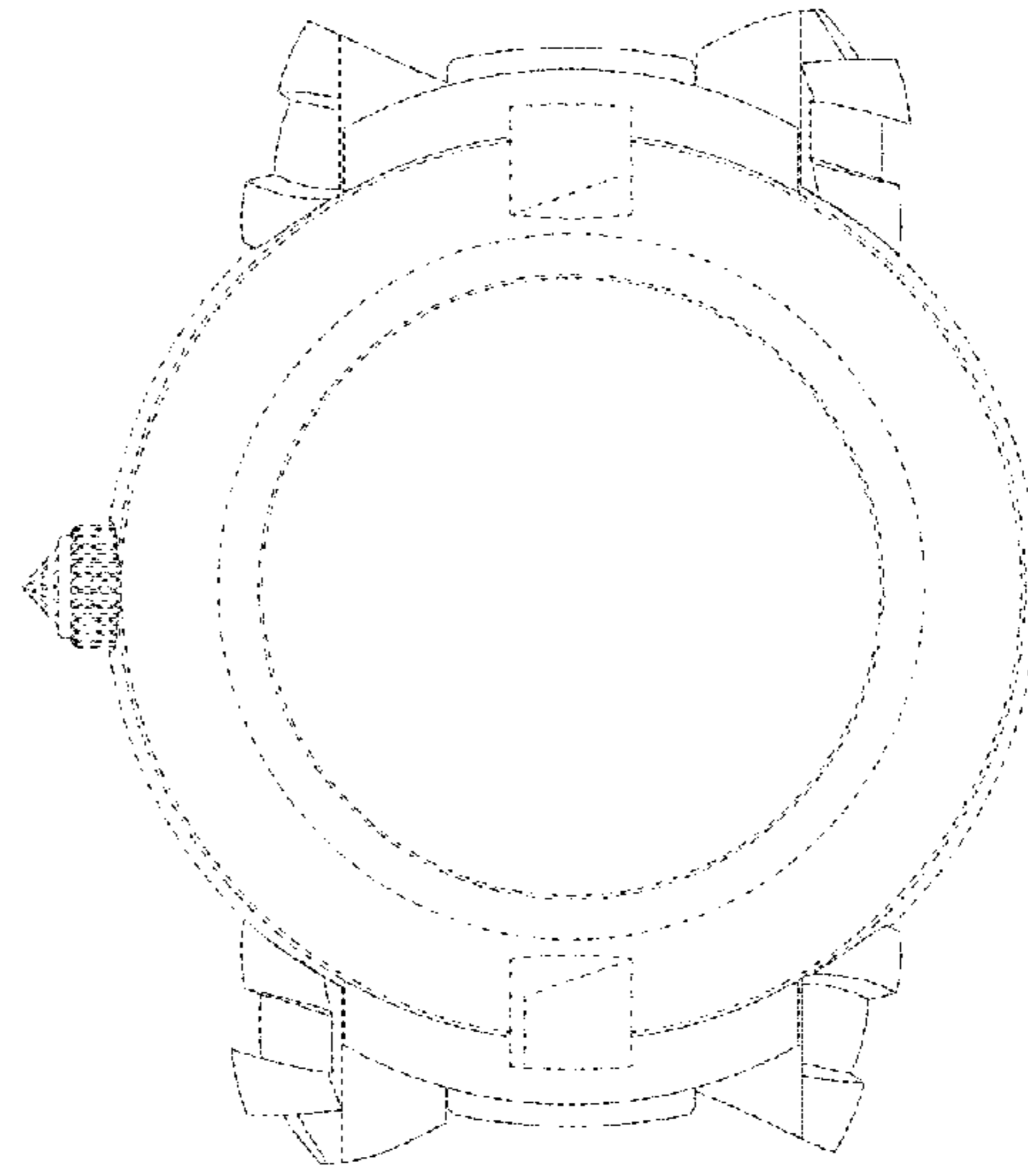


Fig. 2

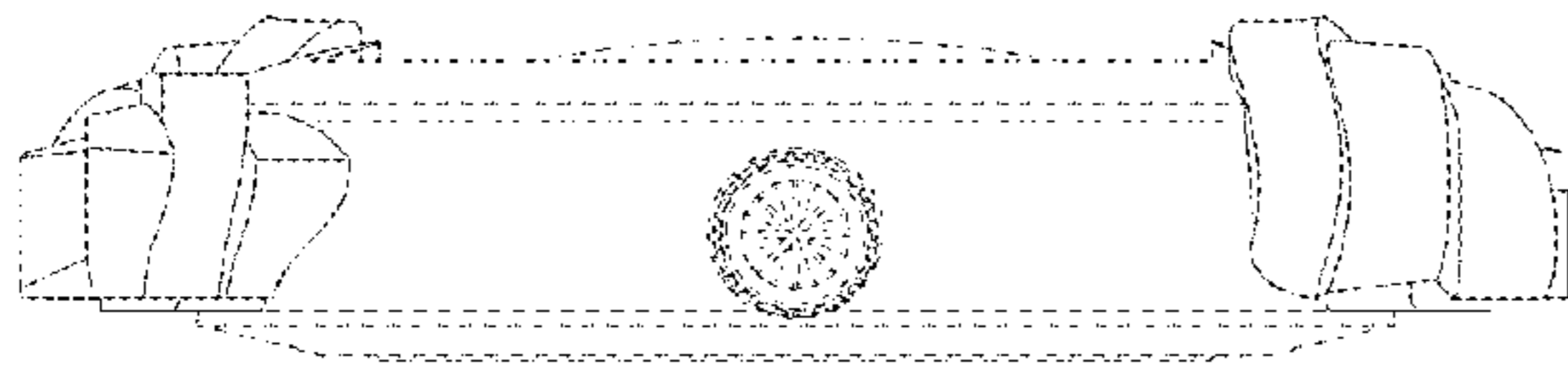


Fig. 3

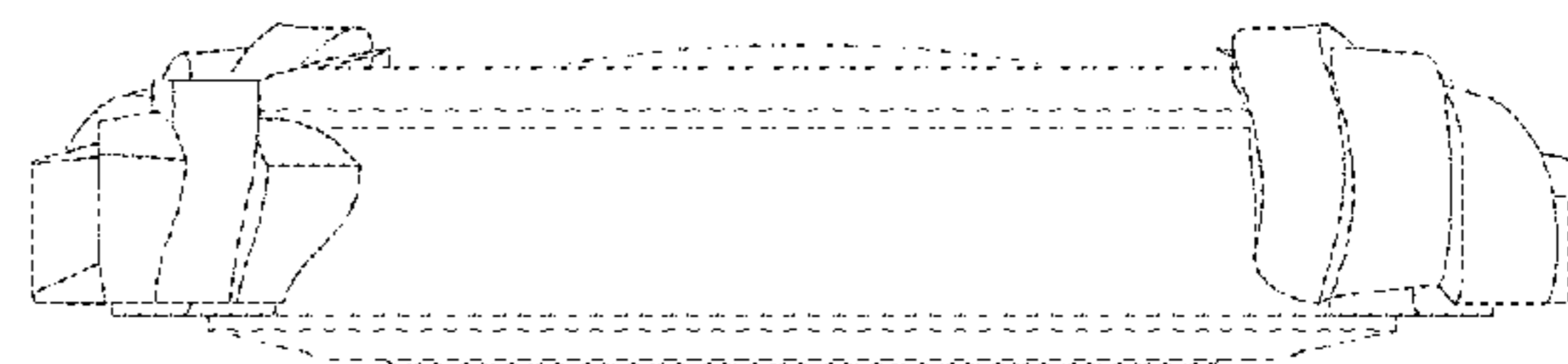


Fig. 4

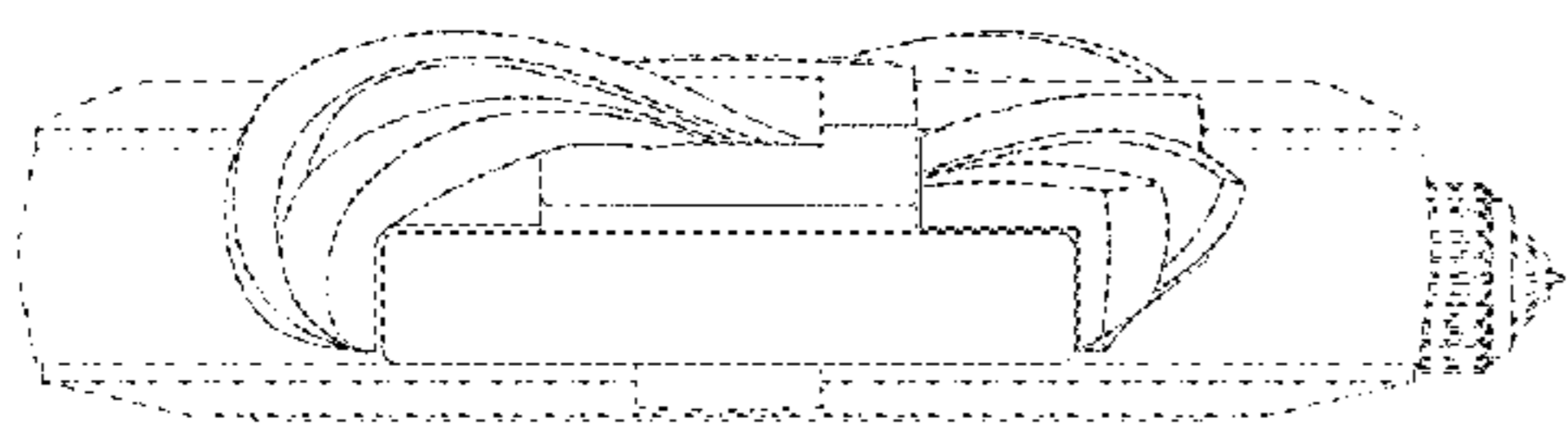


Fig. 5

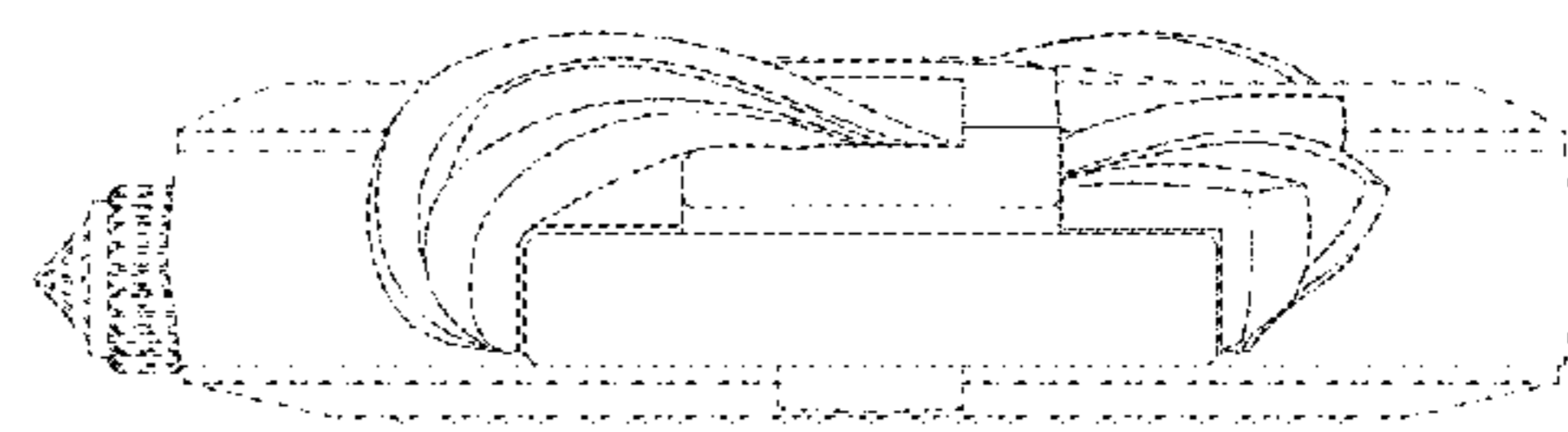


Fig. 6

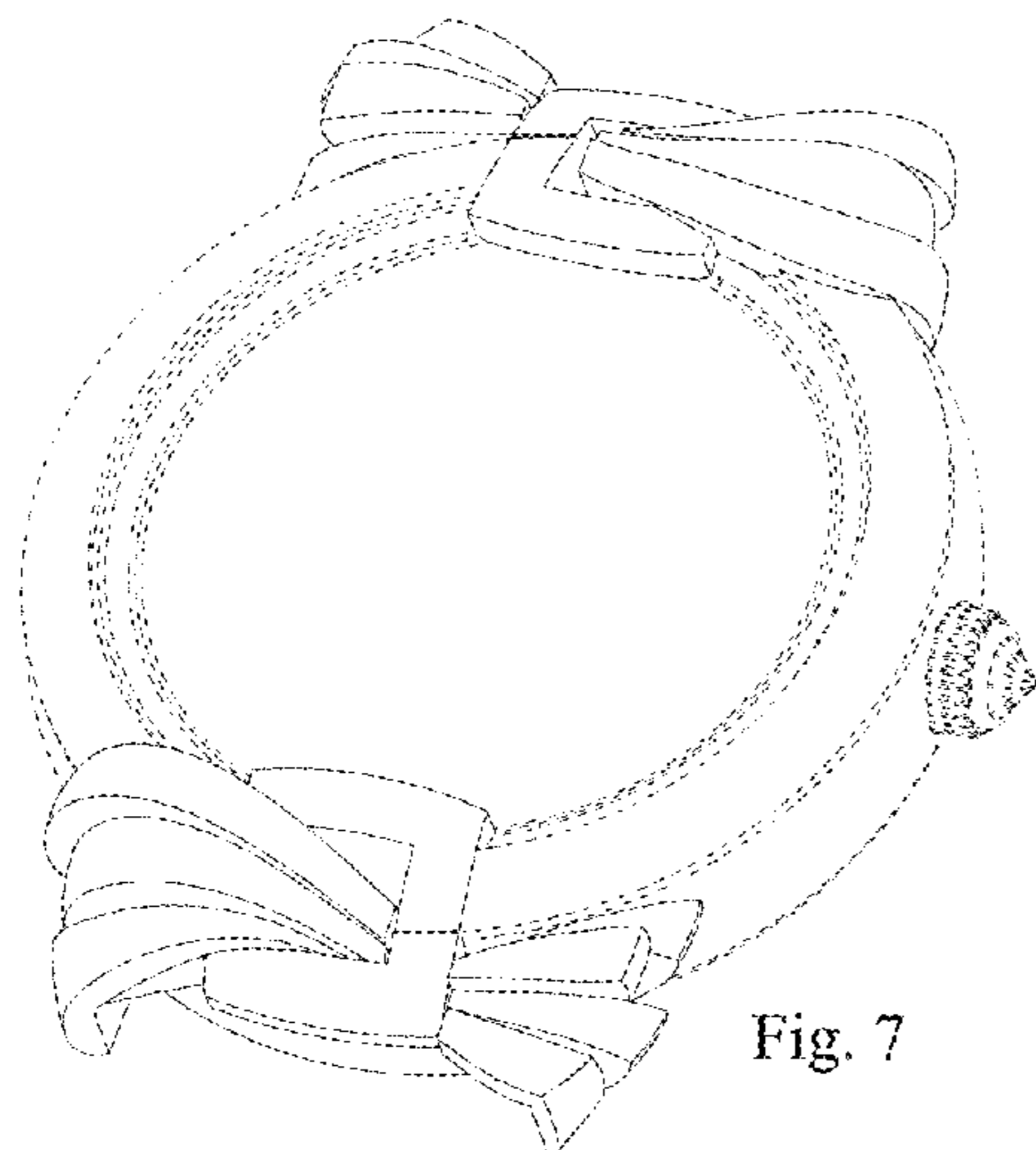


Fig. 7

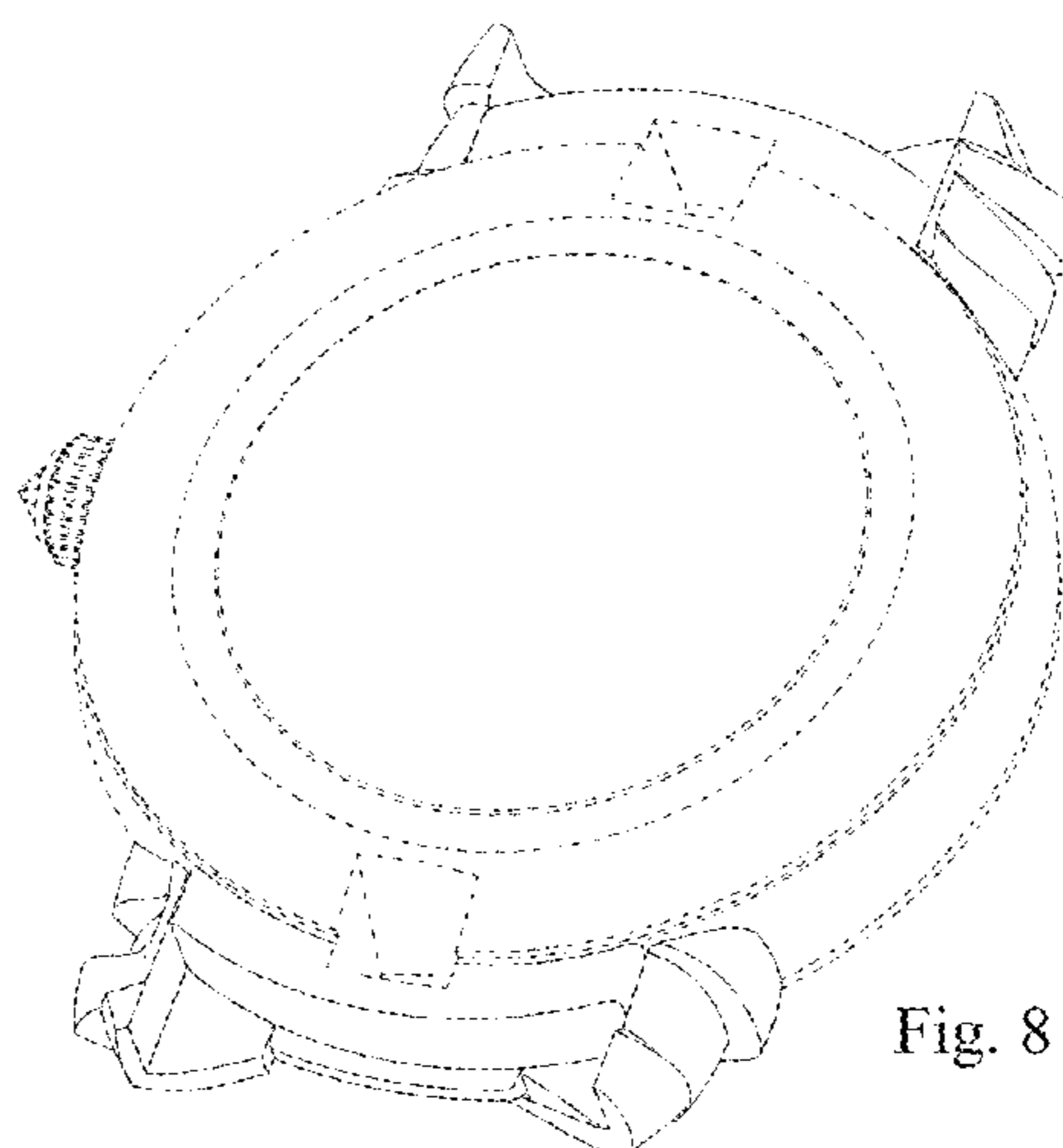


Fig. 8