



US00D811240S

(12) **United States Design Patent** (10) **Patent No.:** **US D811,240 S**
Goto (45) **Date of Patent:** **** Feb. 27, 2018**

(54) **PACKAGING CONTAINER**
(71) Applicant: **MITO SAIEN CORPORATION,**
Ibaraki (HK)

(72) Inventor: **Norio Goto,** Osaka (JP)

(73) Assignee: **MITO SAIEN CORPORATION,**
Mito-Shi (JP)

(**) Term: **15 Years**

(21) Appl. No.: **29/593,218**

(22) Filed: **Feb. 7, 2017**

(30) **Foreign Application Priority Data**

Aug. 8, 2016 (JP) 2016-16939

(51) **LOC (11) Cl.** **09-05**

(52) **U.S. Cl.**
USPC **D9/712**

(58) **Field of Classification Search**
USPC D9/709, 430-433, 414-416, 423, 426,
D9/428, 702-708, 710-714, 420, 424;
206/525, 457, 557; 229/68.1, 87.05,
229/87.08, 107-108, 111, 115, 116.2,
229/123.3, 126, 129.1, 221, 223, 224,
229/238, 902-906, 924-926, 938, 112,
229/406; 283/116; D7/601, 602, 629,
D7/504, 409, 411, 412; 220/669, 675
CPC B65D 33/00; B65D 33/04; B65D 33/16;
B65D 5/00; B65D 5/20; B65D 5/4291;
B65D 5/002; B65D 5/0045; B65D 1/00;
B65D 1/22; A45C 11/00; A45C 11/20
See application file for complete search history.

(56) **References Cited**

U.S. PATENT DOCUMENTS

D250,880 S * 1/1979 Stone 30/114
D476,883 S * 7/2003 Krohne D9/705

D572,603 S * 7/2008 Josephs D9/709
D610,468 S * 2/2010 Rothstein D9/709
D682,627 S * 5/2013 Cavanagh D7/601
D701,016 S 3/2014 Rupp D1/101
D773,295 S * 12/2016 Montanile D7/538

(Continued)

FOREIGN PATENT DOCUMENTS

EP 001839424-0001 A1 3/2011
JP 54-154923 U1 4/1978

(Continued)

Primary Examiner — Abraham Bahta

(74) *Attorney, Agent, or Firm* — Stein IP, LLC

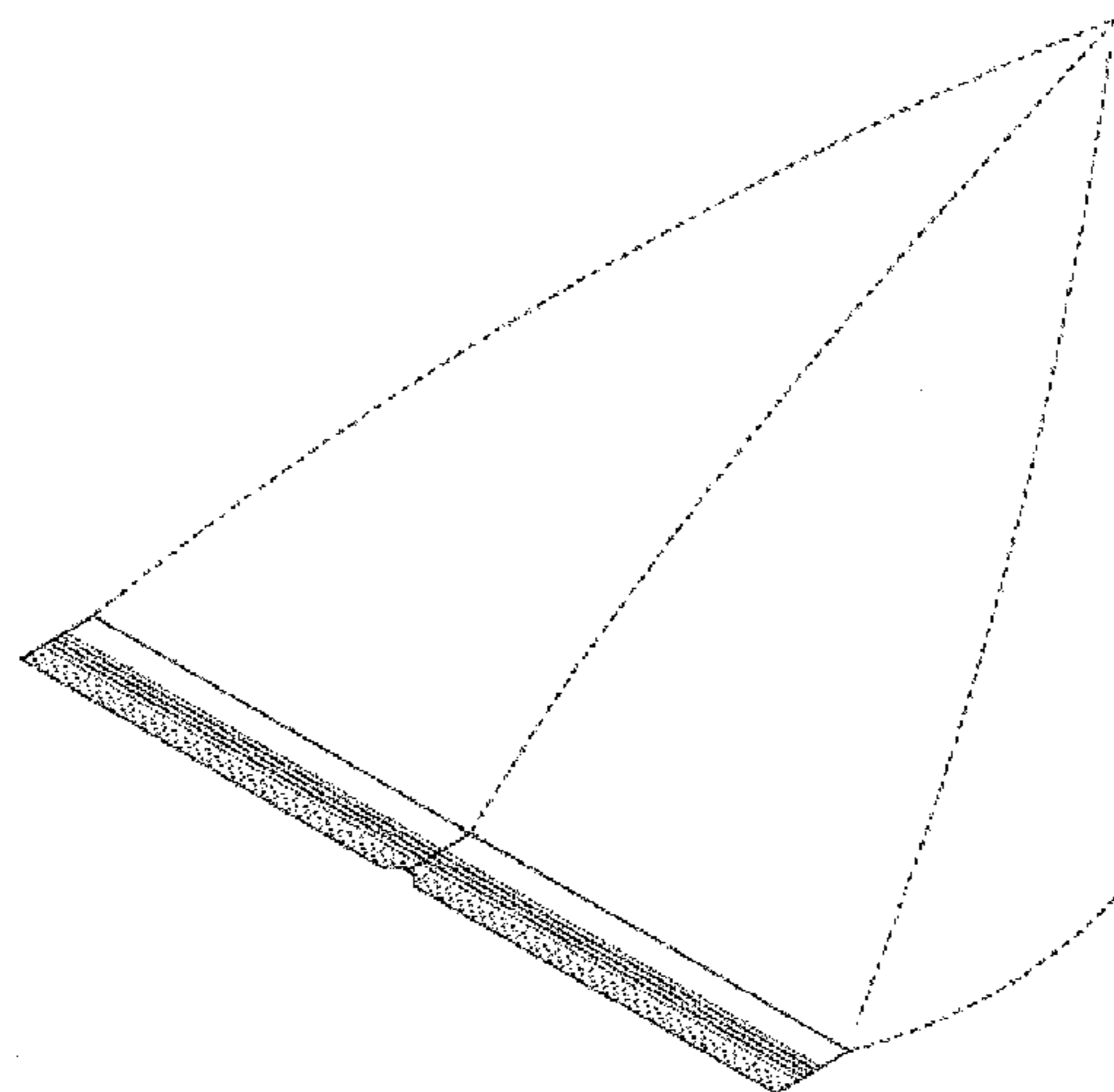
(57) **CLAIM**

The ornamental design for a packaging container, as shown and described.

DESCRIPTION

FIG. 1 is a perspective view of the packaging container showing my new design;
FIG. 2 is a front elevational view of the packaging container of FIG. 1;
FIG. 3 is a rear elevational view of the packaging container of FIG. 1;
FIG. 4 is a right side elevational view of the packaging container of FIG. 1;
FIG. 5 is a top plan view of the packaging container of FIG. 1;
FIG. 6 is a bottom plan view of the packaging container of FIG. 1;
FIG. 7 is a view taken along line 7-7 in FIG. 2, such view being shown on an enlarged scale;
FIG. 8 is a view taken along line 8-8 in FIG. 3, such view being taken on an enlarged scale;
FIG. 9 is an end elevational view of the packaging container taken along line 7-7 in FIG. 7; and,
FIG. 10 is an end elevation view of the packaging container taken along line 10-10 in FIG. 7.

1 Claim, 10 Drawing Sheets



(56)

References Cited

U.S. PATENT DOCUMENTS

D779,878 S * 2/2017 Marneweck D7/504
2012/0217180 A1 8/2012 Kurose et al. 206/438

FOREIGN PATENT DOCUMENTS

JP 3-43360 A 2/1991
JP 3182104 U 2/2013
JP 2014-30755 A 2/2014
WO DM/073 919 6/2010

* cited by examiner

FIG. 1

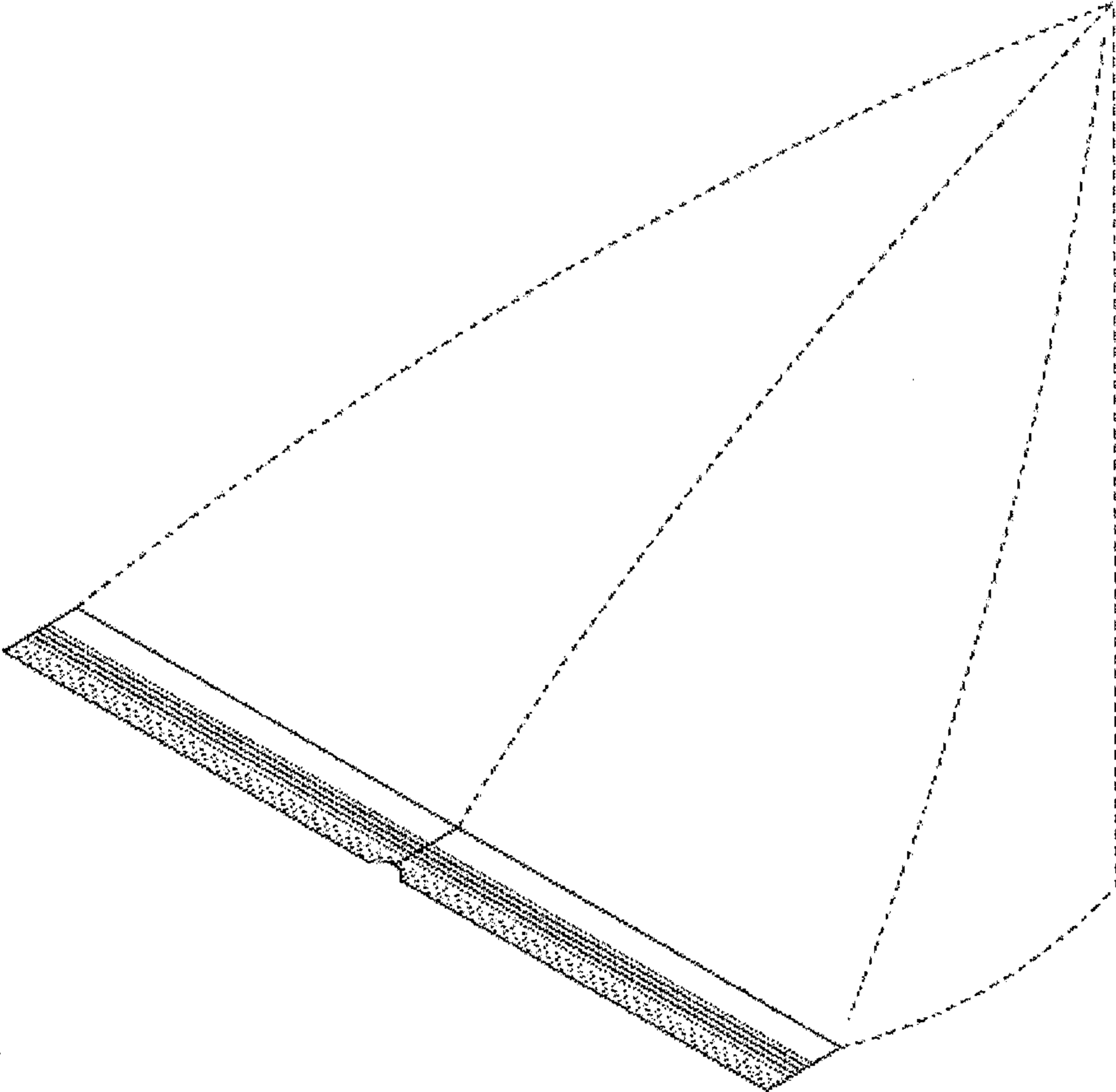


FIG. 2

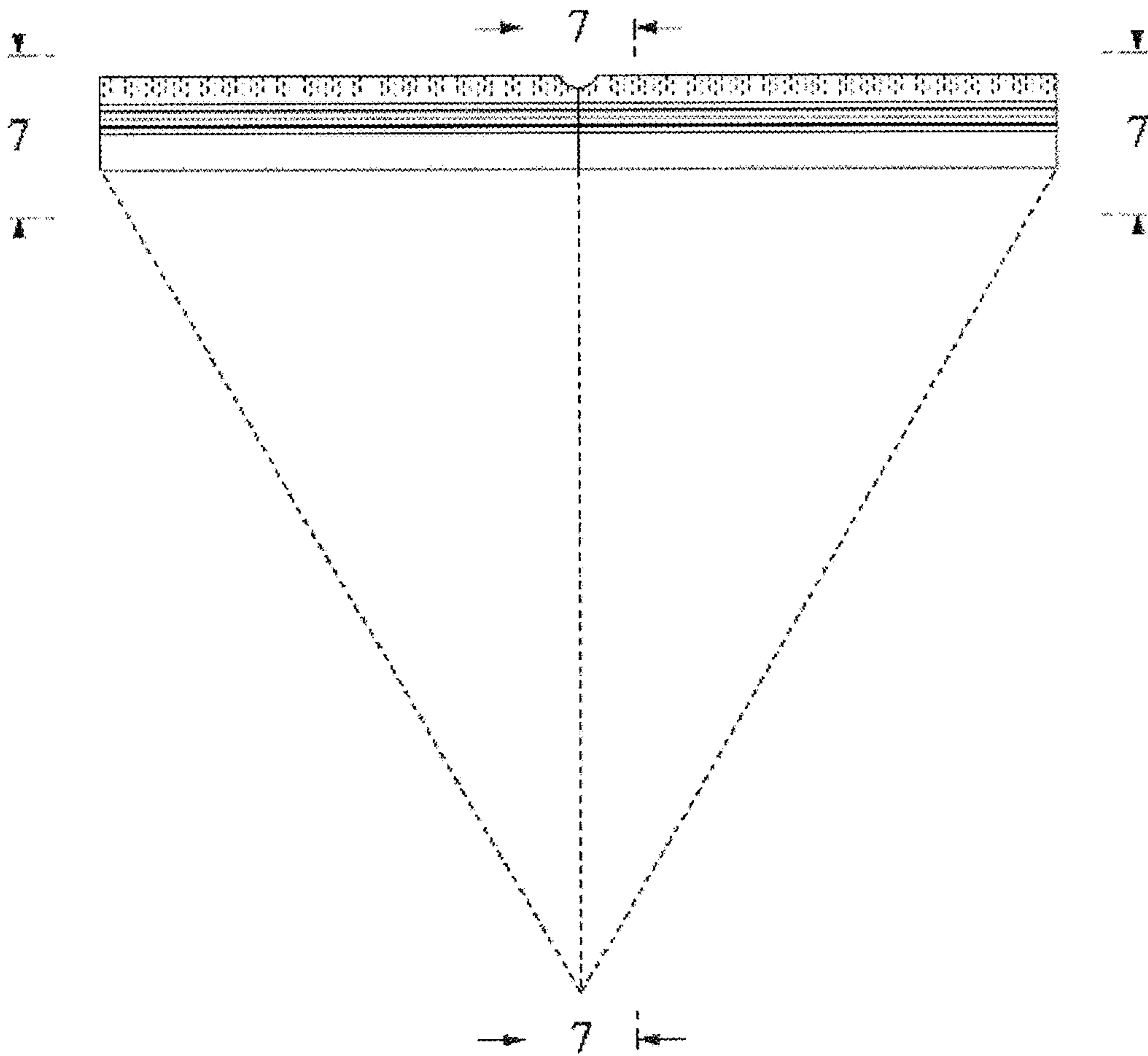


FIG. 3

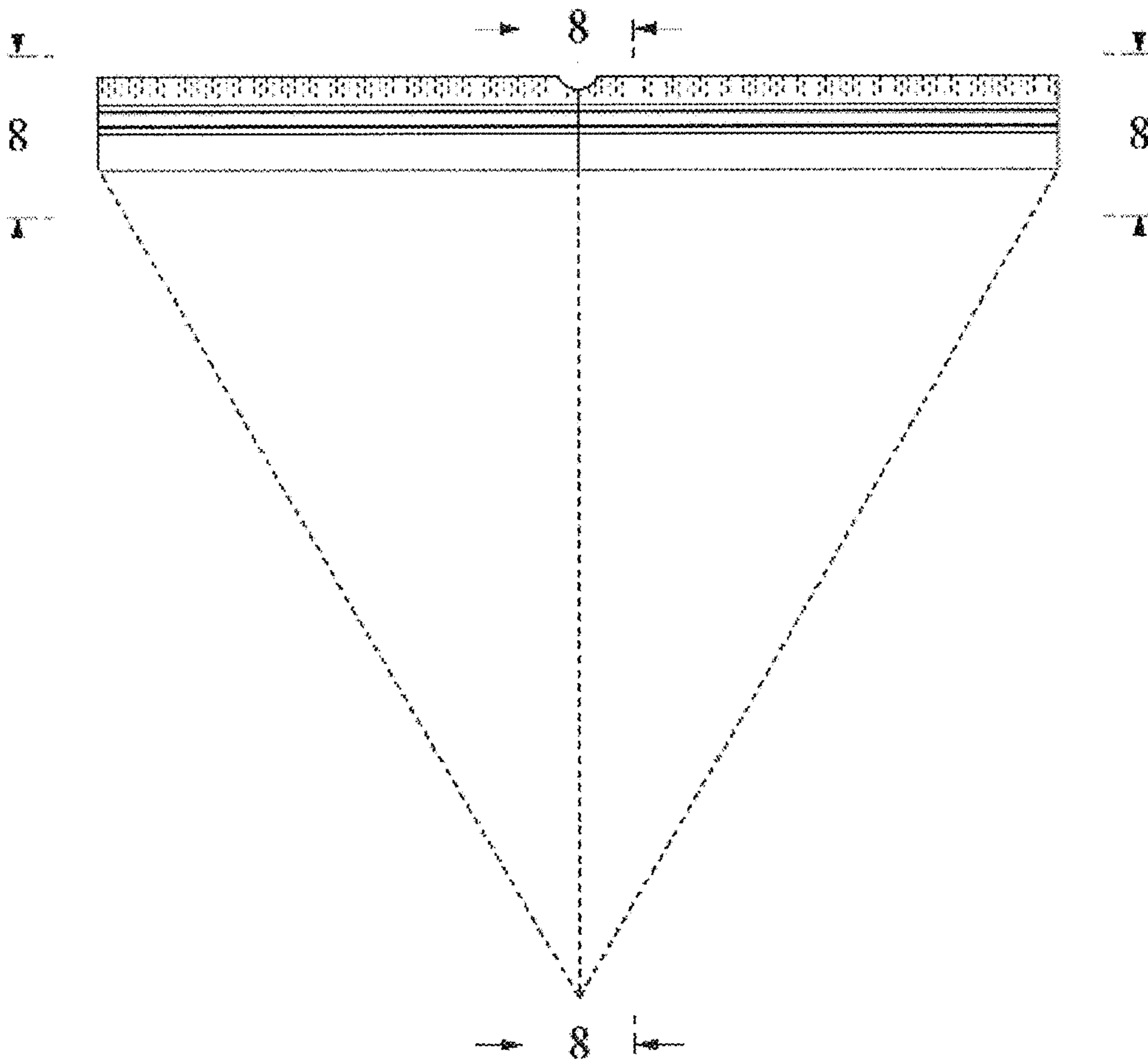


FIG. 4

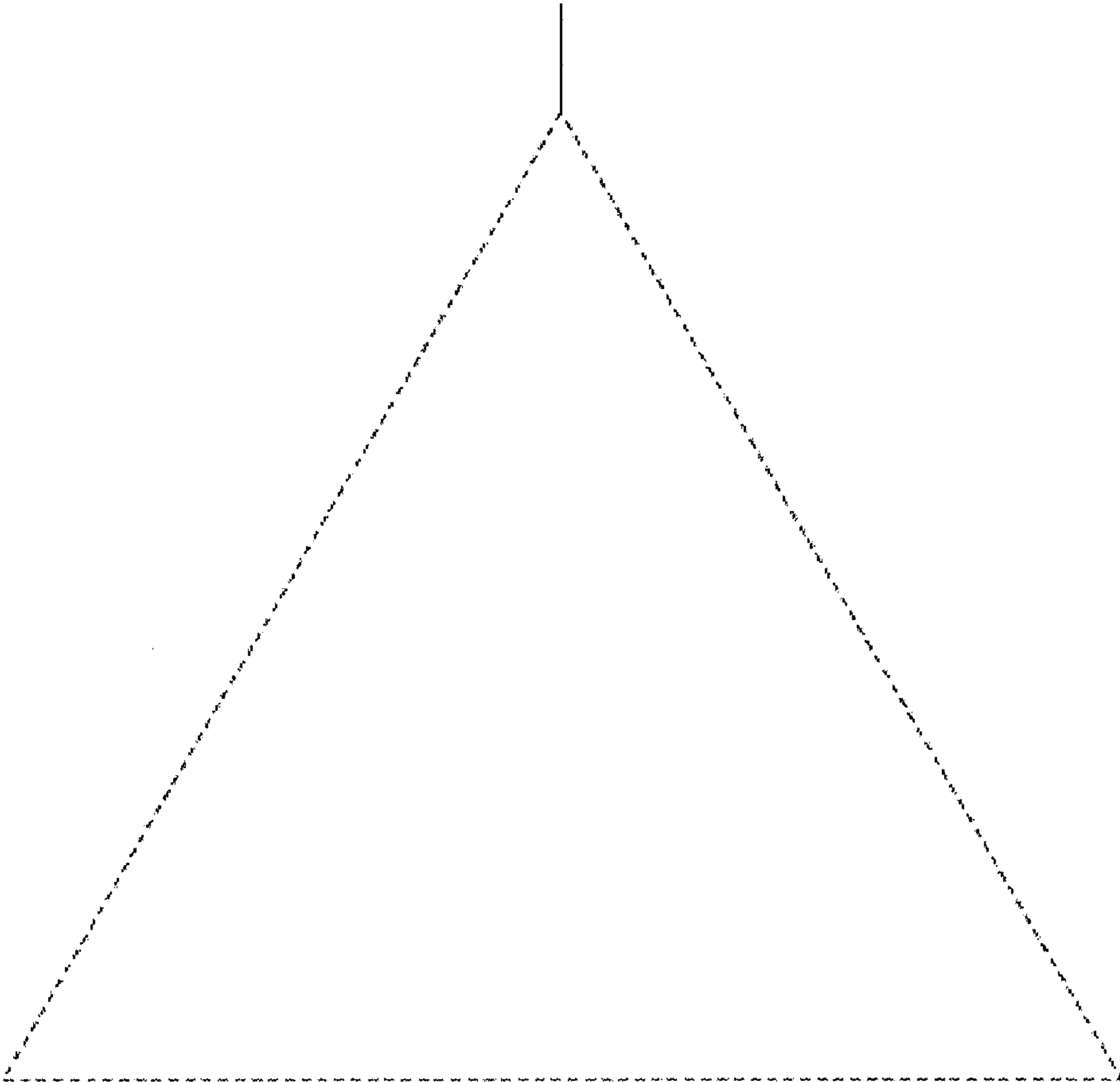


FIG. 5

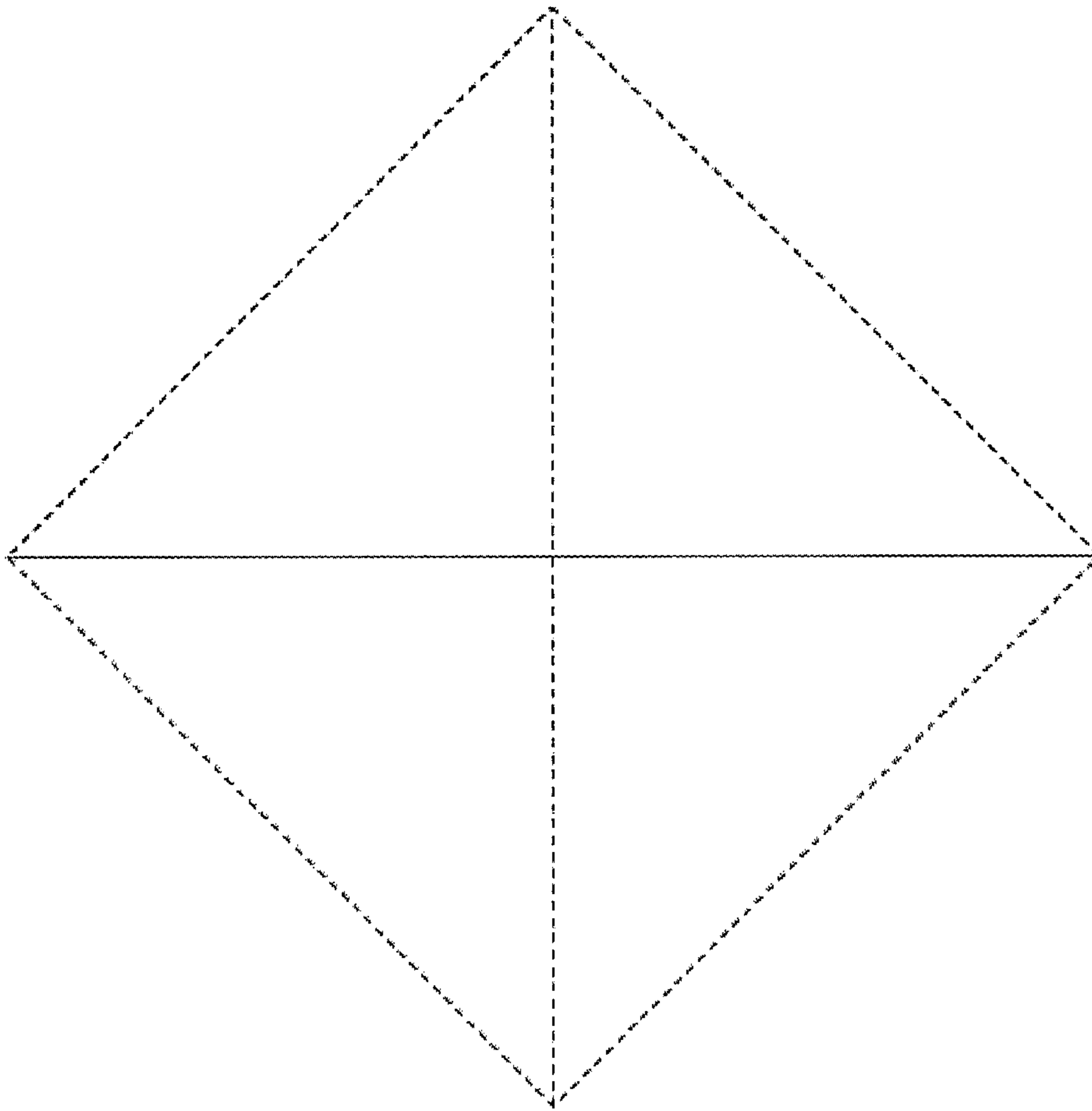


FIG. 6

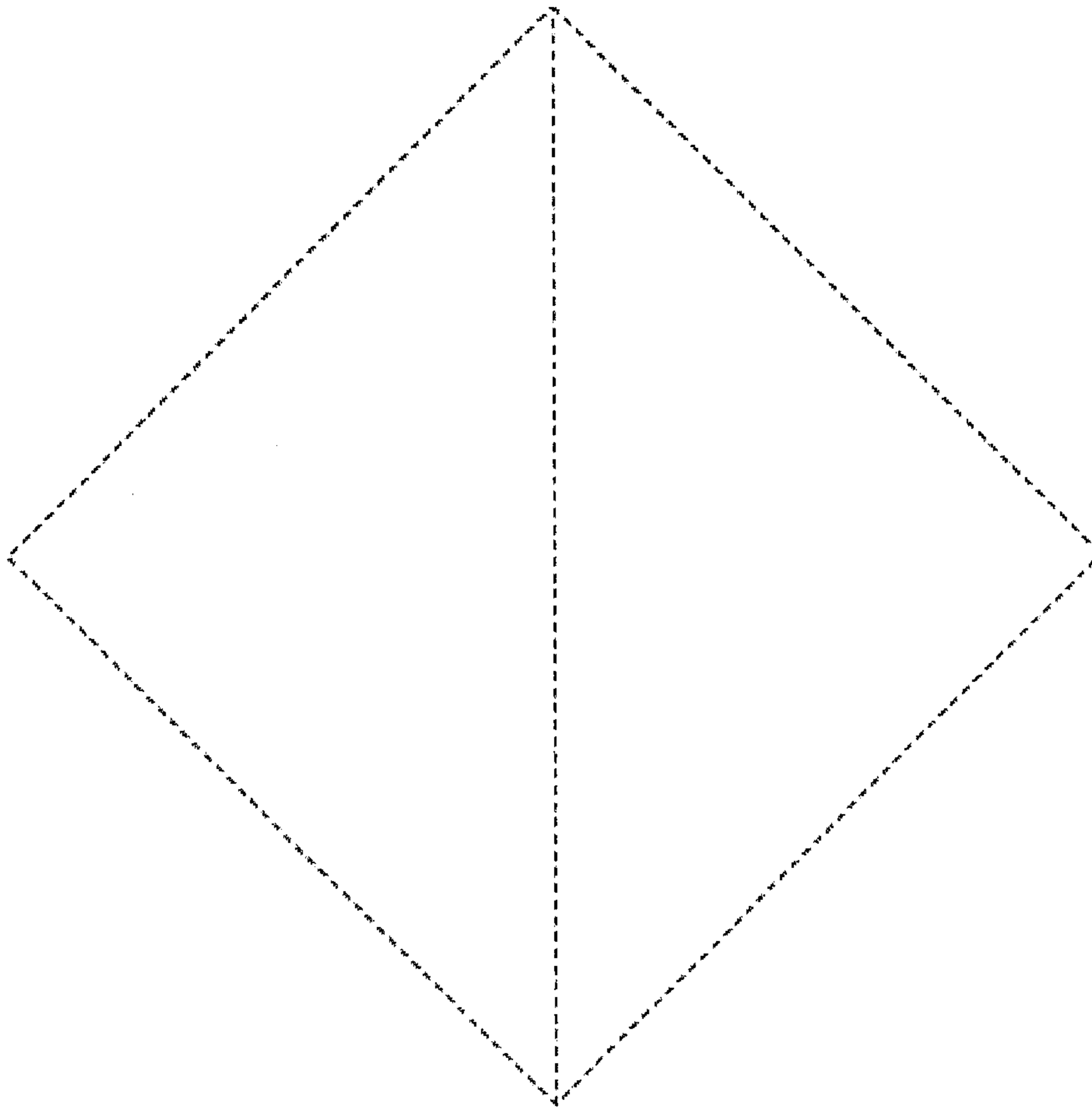


FIG. 7

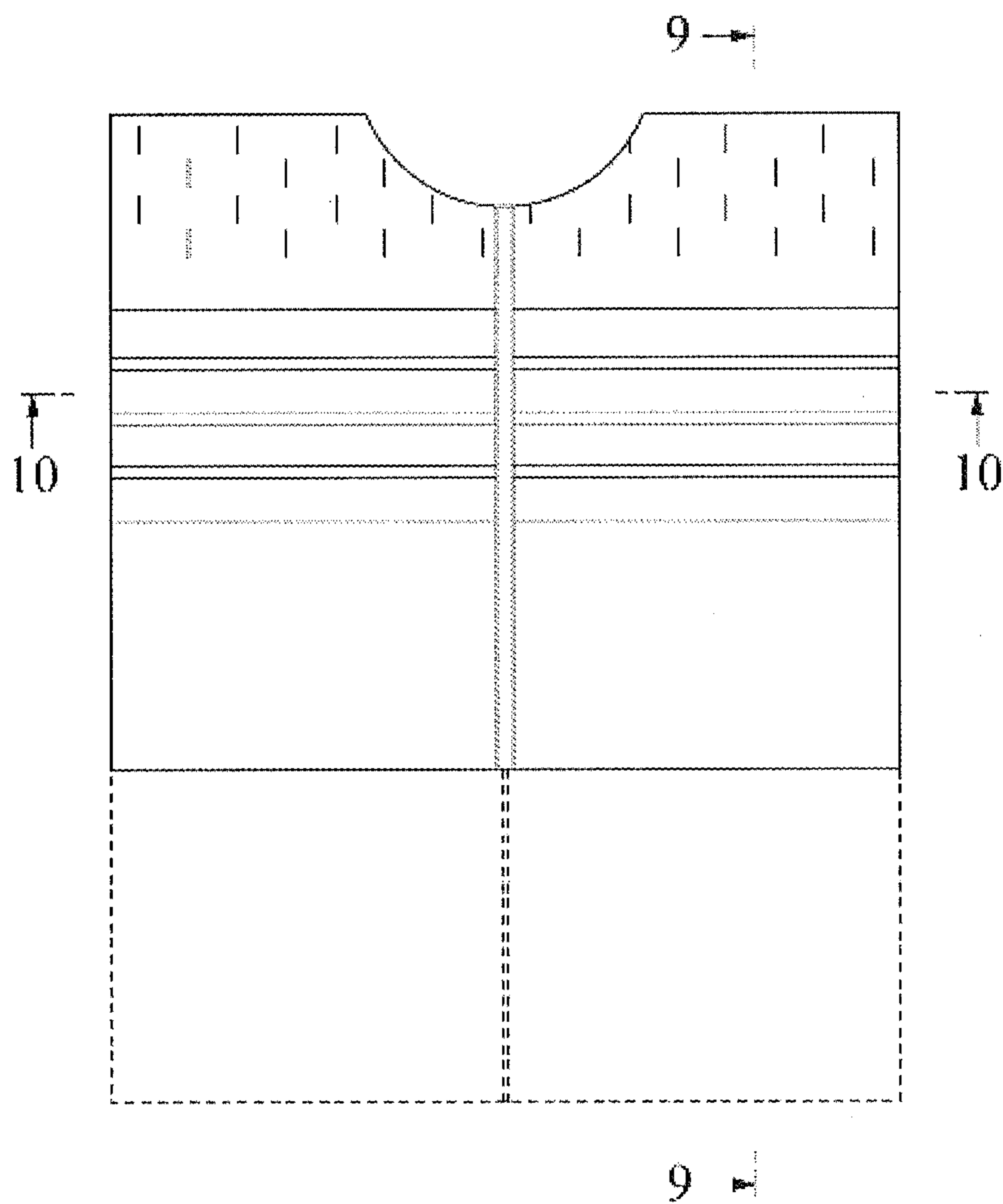


FIG. 8

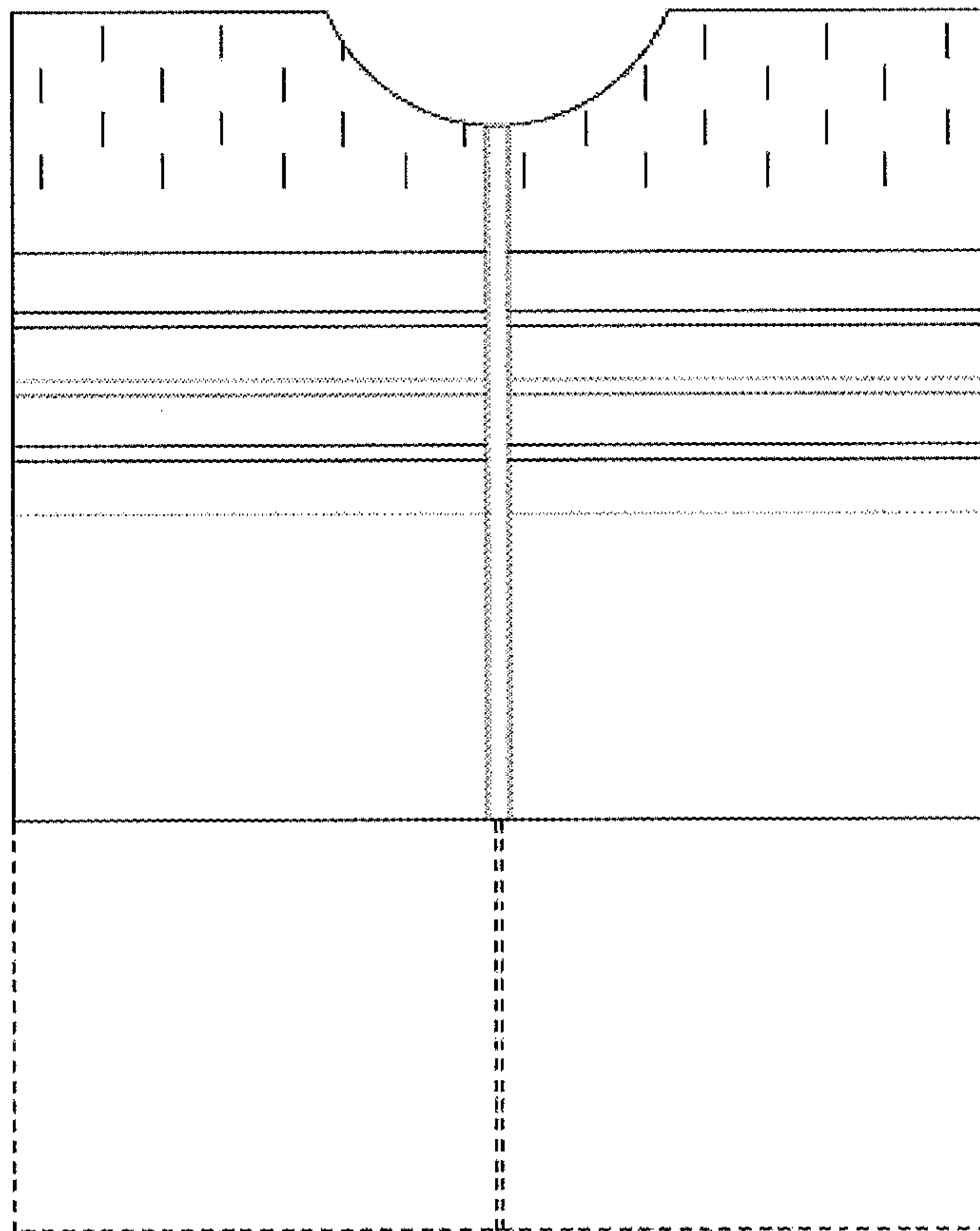


FIG. 9

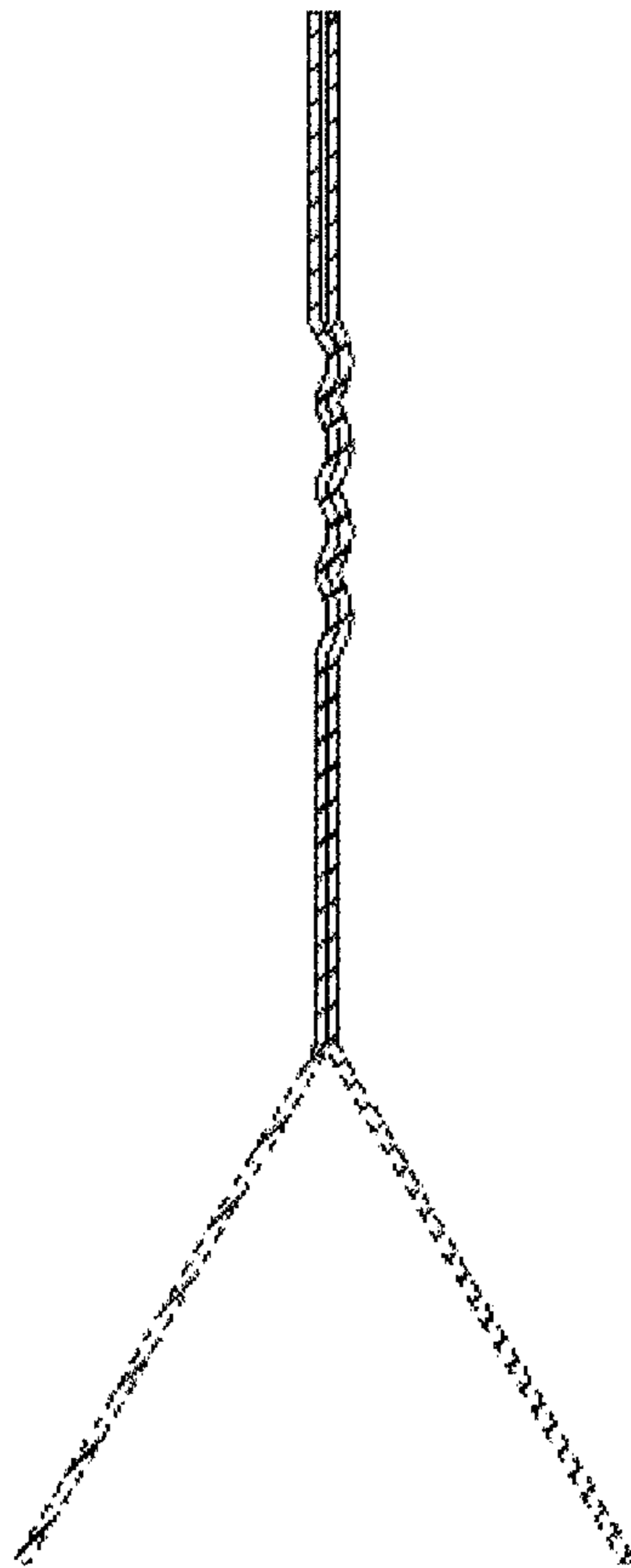


FIG. 10

