



US00D811238S

(12) **United States Design Patent** (10) **Patent No.:** **US D811,238 S**
van den Berg et al. (45) **Date of Patent:** **** Feb. 27, 2018**

(54) **SACHET**

B65D 65/38; B65D 31/00; B65D 31/02;
B65D 31/04; B65D 31/06; B65D 31/10

(71) Applicant: **Conopco, Inc.**, Englewood Cliffs, NJ
(US)

See application file for complete search history.

(72) Inventors: **Rosel Suzan Adine van den Berg**,
Eindhoven (NL); **Hidde Hans
Burgmans**, Amsterdam (NL); **Ricco
Johannes Delfos**, Hazerswoude-Rijndijk
(NL); **Anna-Louisa Peeters**, Rotterdam
(NL); **Florine Quinta Henriëtte van
Wulfften Palthe**, Amsterdam (NL)

(56) **References Cited**

U.S. PATENT DOCUMENTS

2,103,389 A 12/1937 Salfisberg
D199,935 S * 12/1964 Dykes et al. 229/116
4,795,271 A 1/1989 Lane, Jr. et al.
D319,780 S * 9/1991 Laaki D9/707
D383,060 S * 9/1997 Pfuhl D9/708

(Continued)

(73) Assignee: **Conopco, Inc.**, Englewood Cliffs, NJ
(US)

FOREIGN PATENT DOCUMENTS

EP 1264780 12/2002
EP 2204335 7/2010

(Continued)

(**) Term: **15 Years**

(21) Appl. No.: **29/570,802**

(22) Filed: **Jul. 12, 2016**

(30) **Foreign Application Priority Data**

Jan. 18, 2016 (EM) 002949263-0001

(51) **LOC (11) Cl.** **09-05**

(52) **U.S. Cl.**
USPC **D9/703**

(58) **Field of Classification Search**

USPC D9/702-714, 695-699, 720-722, 414,
D9/424, 426; 206/484, 438; 222/143,
222/92, 107; 383/127, 37, 38, 103, 107,
383/113, 61.1, 9, 15-16, 906; 68/17 R,
68/12.18, 207; D27/183, 185; D24/115,
D24/224, 118; 604/231, 217; 229/72,
229/200, 87.06, 87.08, 87.05; D28/8.1,
D28/5-6; D3/303, 202, 205;
D7/709-710

CPC B65D 75/30; B65D 75/5883; B65D 65/22;
B65D 1/00; B65D 1/22; B65D 1/44;
B65D 33/00; B65D 33/02; B65D 33/12;
B65D 33/16; B65D 65/00; B65D 65/02;

OTHER PUBLICATIONS

IPRP in PCTEP2015065344, dated Sep. 16, 2016.

(Continued)

Primary Examiner — Abraham Bahta

(74) *Attorney, Agent, or Firm* — Gerard J. McGowan, Jr.

(57) **CLAIM**

The ornamental design for a sachet, as shown and described.

DESCRIPTION

FIG. 1 is a perspective view of a sachet showing our new design;

FIG. 2 is a an elevational view of the side thereof,

FIG. 3 is a an elevational view of the other side thereof,

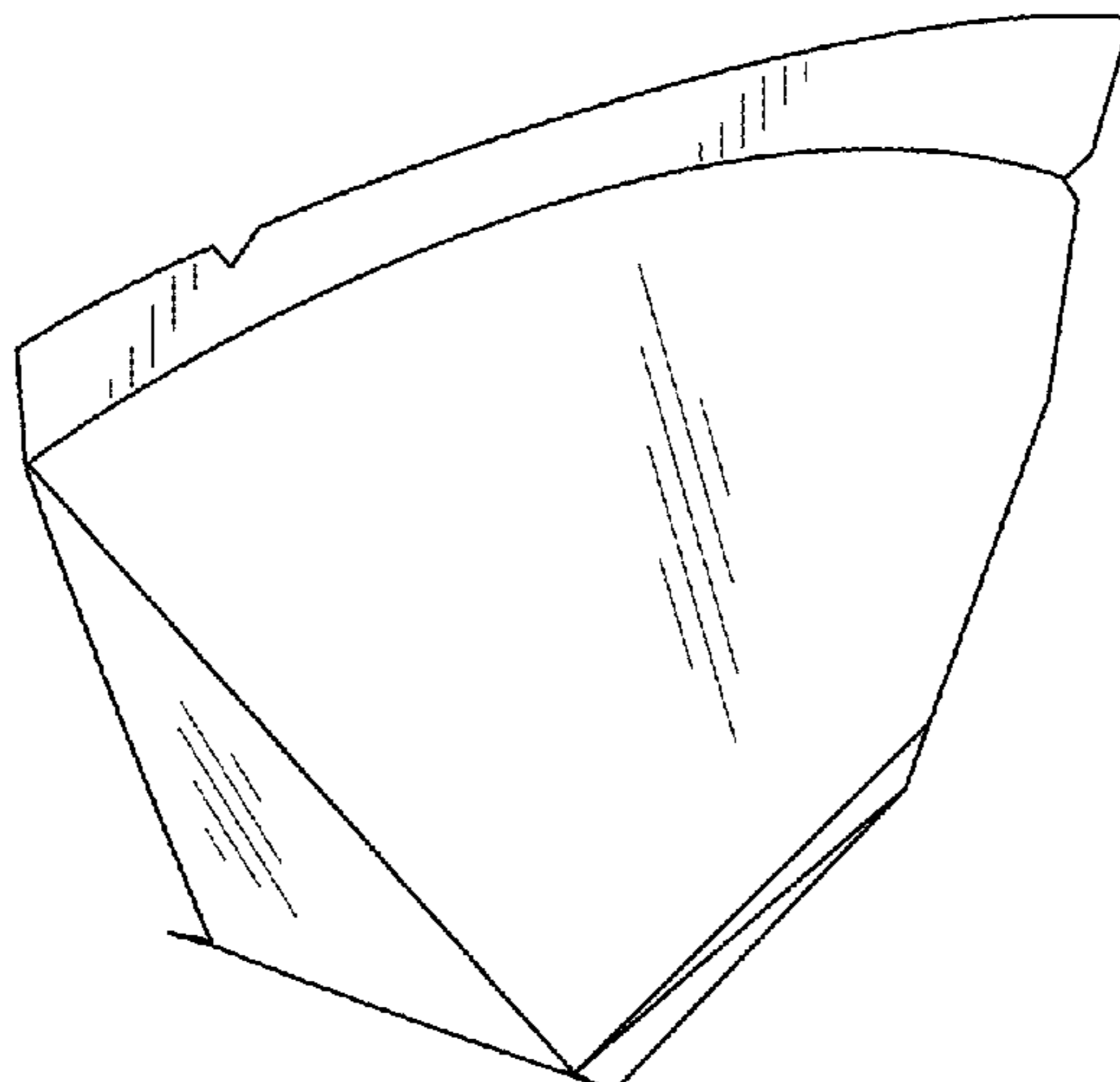
FIG. 4 is a front elevational view thereof;

FIG. 5 is a rear elevational view thereof;

FIG. 6 is a top plan view thereof; and,

FIG. 7 is a bottom plan view thereof.

1 Claim, 3 Drawing Sheets



(56)

References Cited

U.S. PATENT DOCUMENTS

6,409,386 B1 6/2002 Trani et al.
D628,903 S * 12/2010 Caldwell D9/711
D742,245 S * 11/2015 Monforton D9/707
2008/0037912 A1 2/2008 Martuch
2008/0233252 A1 9/2008 Manning et al.
2010/0166924 A1 7/2010 Leathersich et al.
2011/0064338 A1 3/2011 Surdziel

FOREIGN PATENT DOCUMENTS

FR 2262627 9/1975
JP 8318971 12/1996
JP 2011184064 9/2011
WO WO03064265 8/2003
WO WO2007086969 8/2007
WO WO2010123581 10/2010
WO WO2016020131 2/2016

OTHER PUBLICATIONS

Search Report in EP14180147, dated Dec. 11, 2014.
Search Report in PCTEP2015065344, dated Oct. 20, 2015, WO.
Written Opinion in EP14180147, dated Dec. 11, 2014.
Written Opinion in PCTEP2015065344, dated Oct. 20, 2015.
Co-pending application van den BERG et al., U.S. Appl. No. 15/500,597, filed Jan. 31, 2017.

* cited by examiner

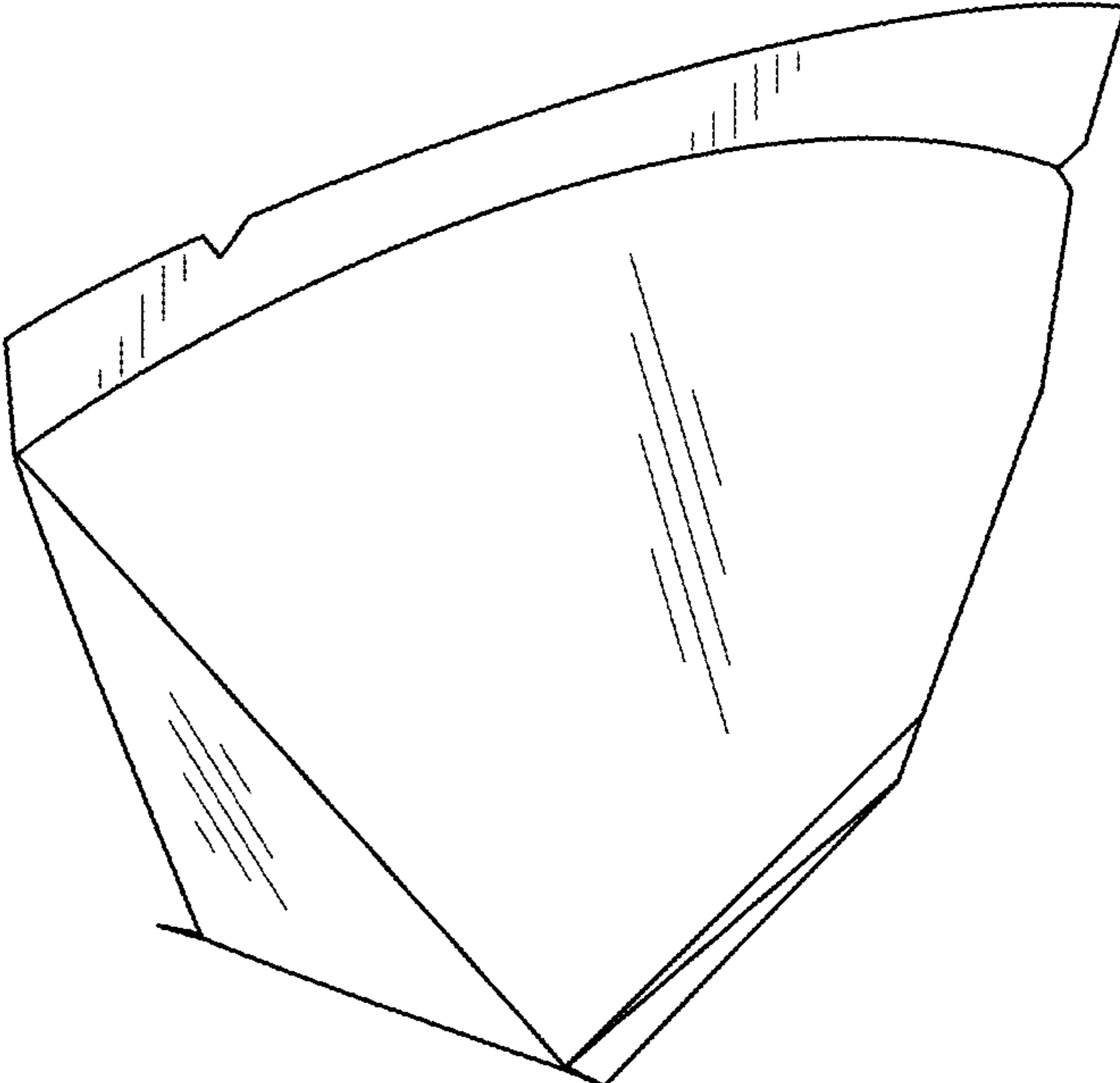


Fig. 1

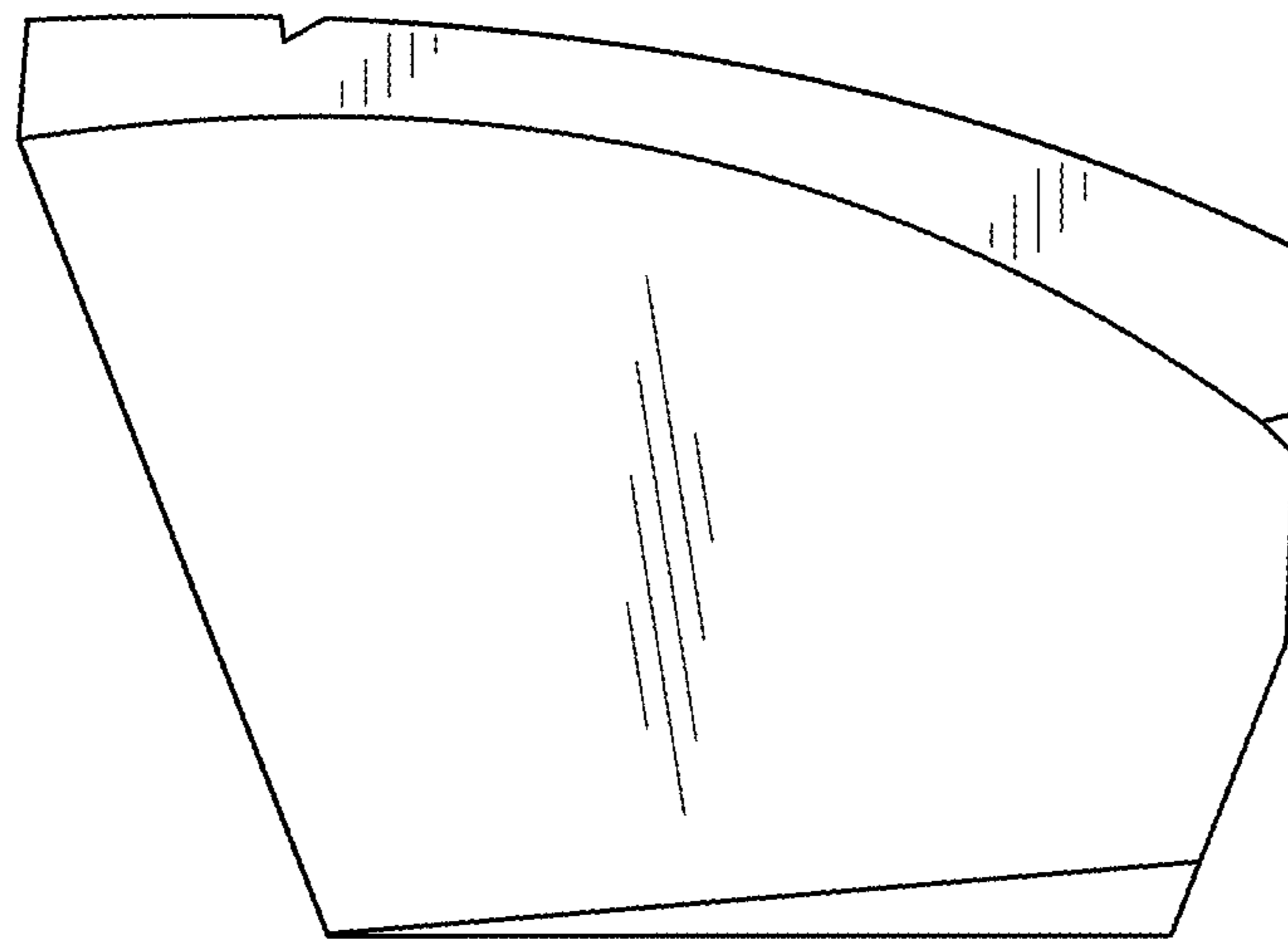


Fig. 2

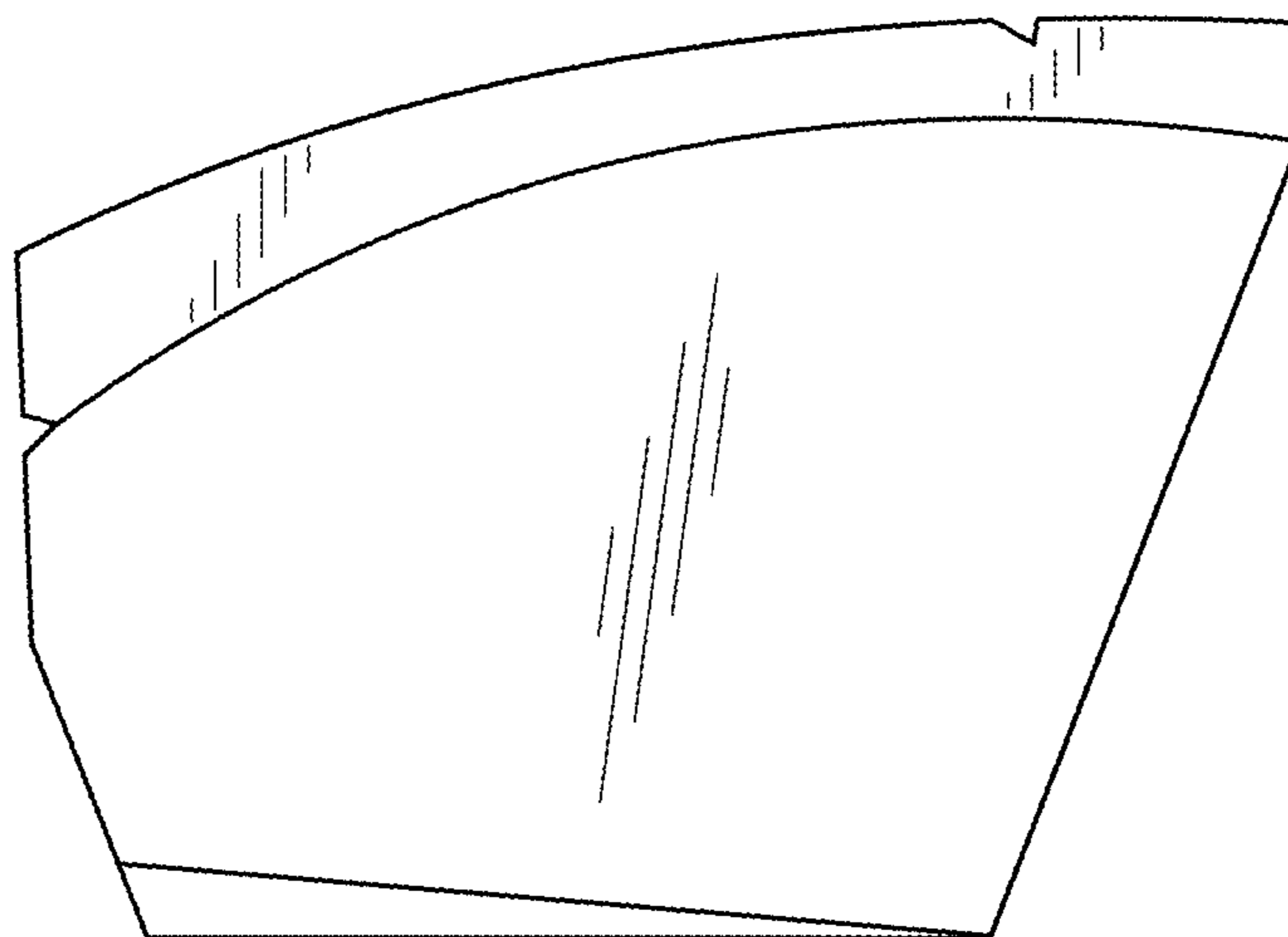


Fig. 3

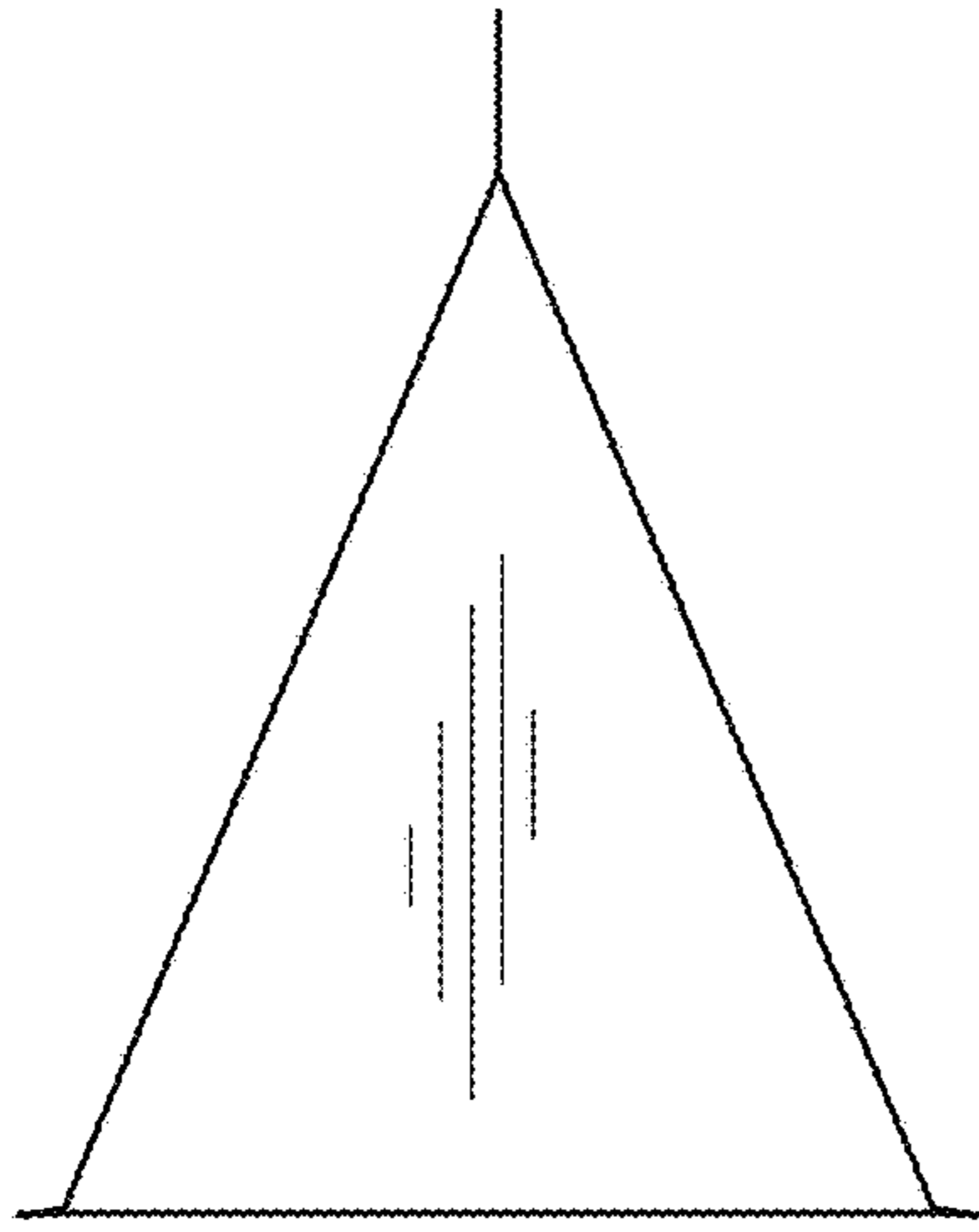


Fig. 4

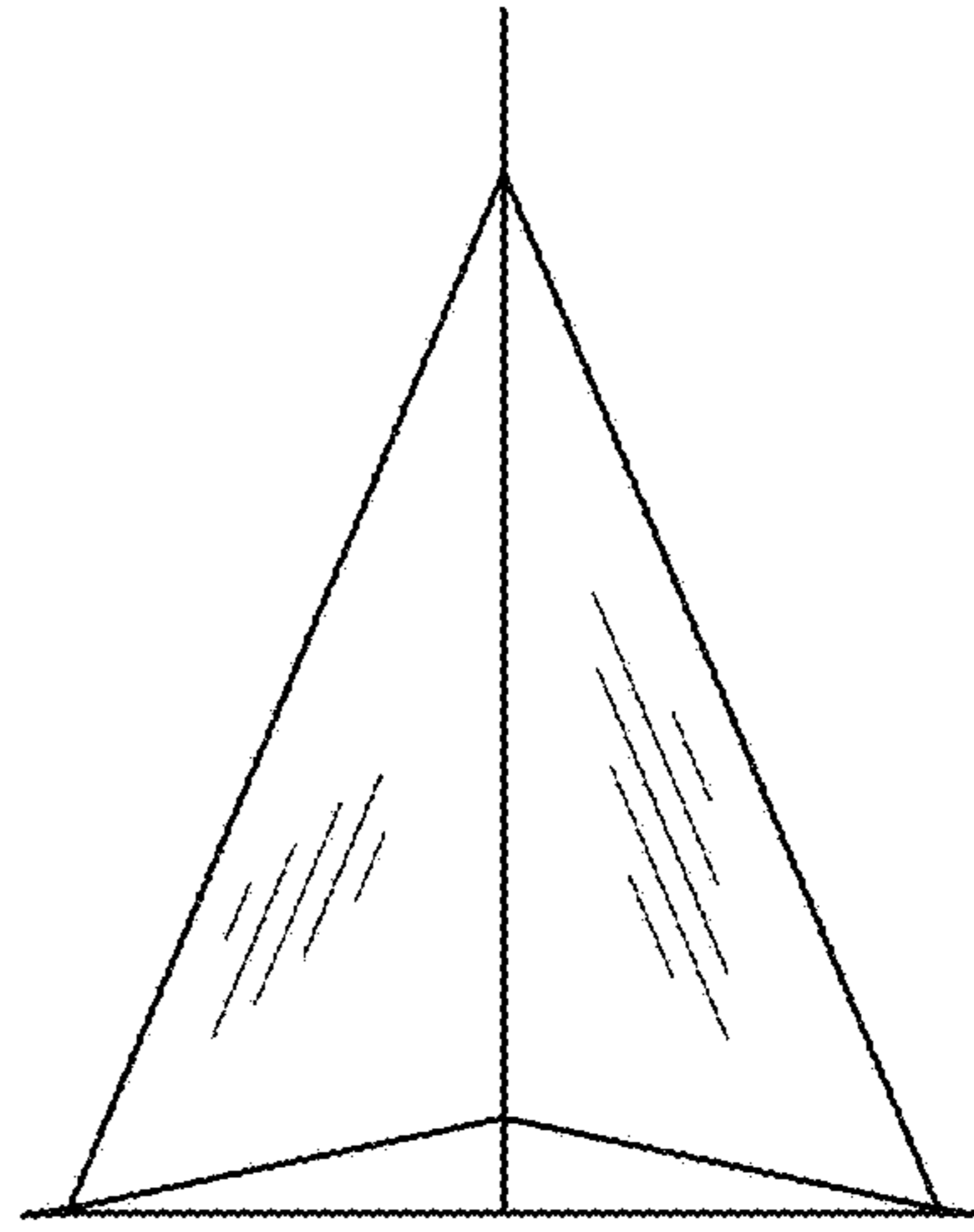


Fig. 5

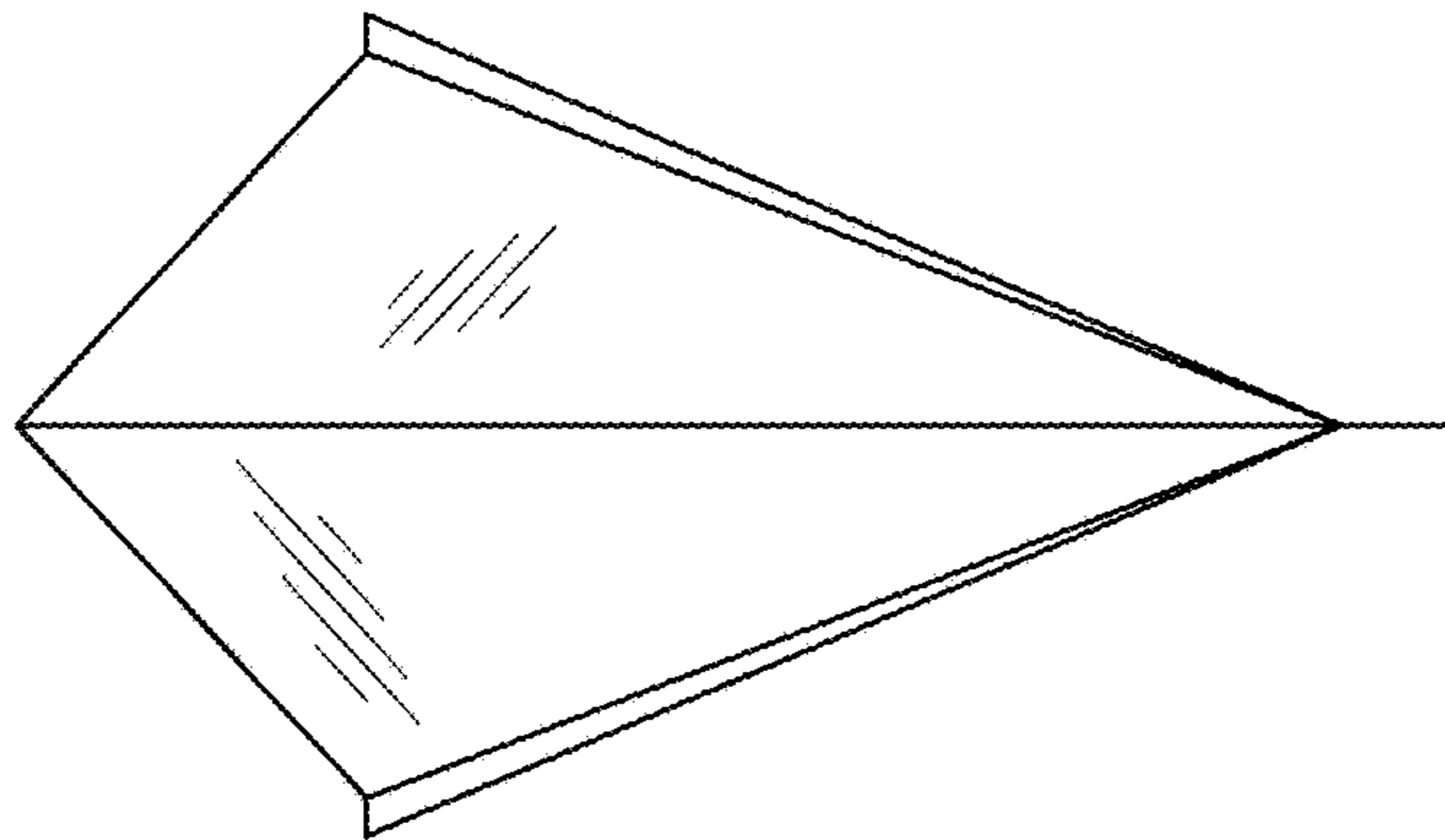


Fig. 6

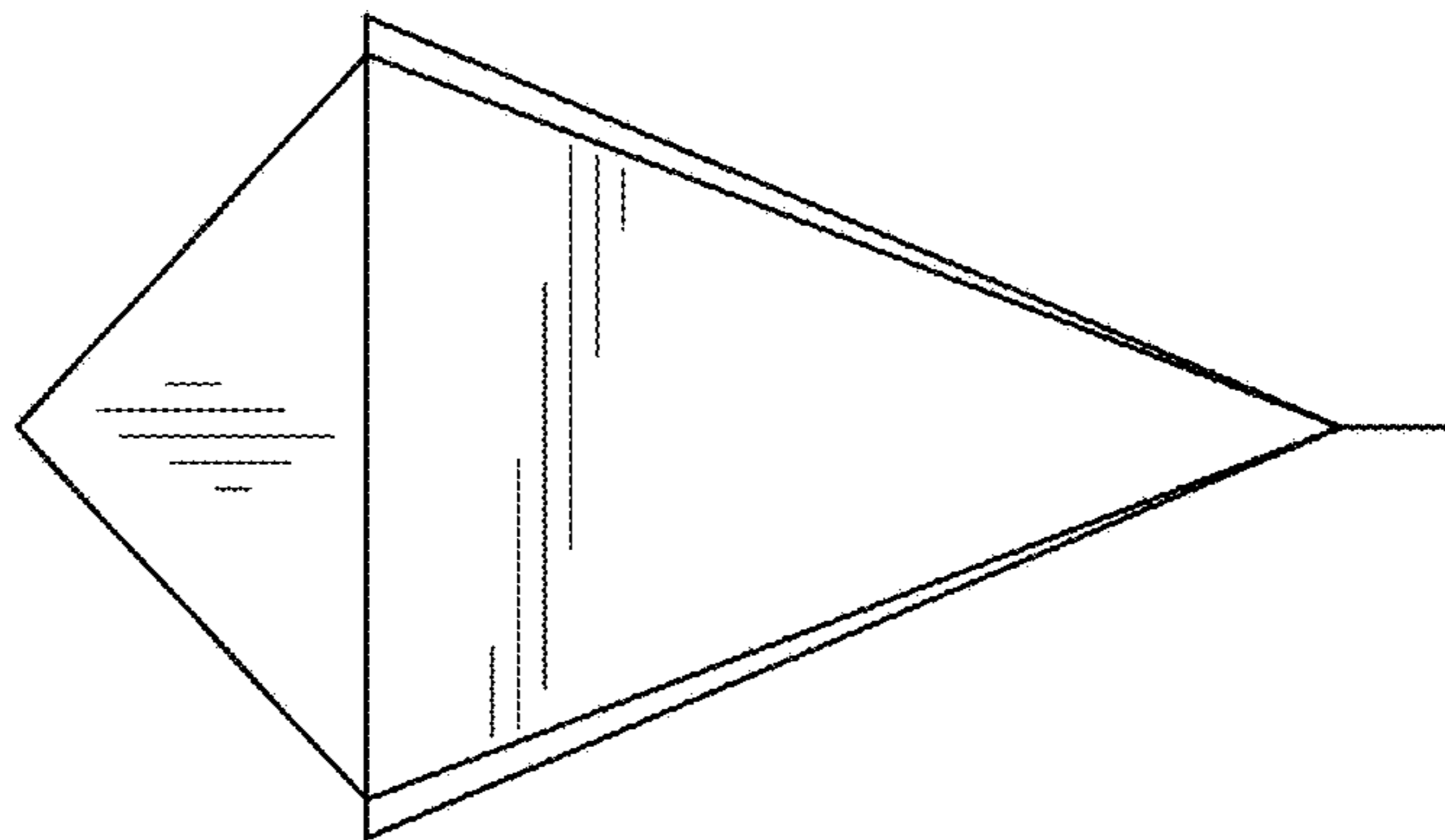


Fig. 7