



US00D811235S

(12) **United States Design Patent** (10) **Patent No.:** **US D811,235 S**  
**Billen** (45) **Date of Patent:** **\*\* \*Feb. 27, 2018**

- (54) **VEHICLE CARTON**
- (71) Applicant: **Kid Stuff Marketing, Inc.**, Topeka, KS (US)
- (72) Inventor: **William D. Billen**, Topeka, KS (US)
- (73) Assignee: **Kid Stuff Marketing, Inc.**, Topeka, KS (US)

- 2,823,844 A 2/1958 Frankenstein
- 3,224,660 A 12/1965 Willis
- D214,262 S \* 5/1969 Paige ..... D21/551
- D219,930 S \* 2/1971 Fogarty et al. .... D21/551
- 4,055,250 A \* 10/1977 Mayhew ..... B65D 81/368  
206/457
- D256,670 S \* 9/1980 Fish ..... D9/675
- 4,643,349 A \* 2/1987 Sheffer ..... B65D 81/368  
206/457
- 4,804,133 A \* 2/1989 Kiyokane ..... G09F 1/08  
206/457
- 5,454,508 A \* 10/1995 Billen ..... B65D 81/368  
446/80

(\* ) Notice: This patent is subject to a terminal disclaimer.

(Continued)

(\*\*) Term: **15 Years**

(21) Appl. No.: **29/556,606**

(22) Filed: **Mar. 2, 2016**

(51) **LOC (11) Cl.** ..... **09-01**

(52) **U.S. Cl.**  
USPC ..... **D9/675; D21/551**

(58) **Field of Classification Search**  
USPC ..... D3/270, 271.1–271.4; D7/514–520, 599, D7/604, 613, 619.2, 623, 628; D9/600, D9/572–577, 414, 418, 430–434; 206/457, 459.5, 527; 215/387–388, 215/381–384, 400; 229/150, 153, 116.4; 220/890; D21/549, 551; 446/77, 78, 80  
CPC .... B65D 5/4258; B65D 81/60; B65D 81/365; B65D 81/366; B65D 81/368; B65D 2203/00; B65D 2203/02; A63H 33/16  
See application file for complete search history.

(56) **References Cited**

**U.S. PATENT DOCUMENTS**

- 979,812 A 12/1910 Warren
- 1,330,654 A 2/1920 Alexander
- 1,547,176 A \* 7/1925 Lazon ..... A63H 33/16  
446/77
- 1,553,793 A \* 9/1925 Alfred ..... B65D 81/368  
446/76
- 2,118,821 A 5/1938 Ringer
- D172,877 S 8/1954 Handler et al.

**OTHER PUBLICATIONS**

2007 QSR.FPI Foodservice Packaging Awaras, dated Oct. 23, 2007  
[www.slideshare.net/purdy/2007-sqrfpi-foodservice-packaging-awards](http://www.slideshare.net/purdy/2007-sqrfpi-foodservice-packaging-awards).\*

(Continued)

*Primary Examiner* — Sandra L Morris  
(74) *Attorney, Agent, or Firm* — Erickson Kernell IP, LLC

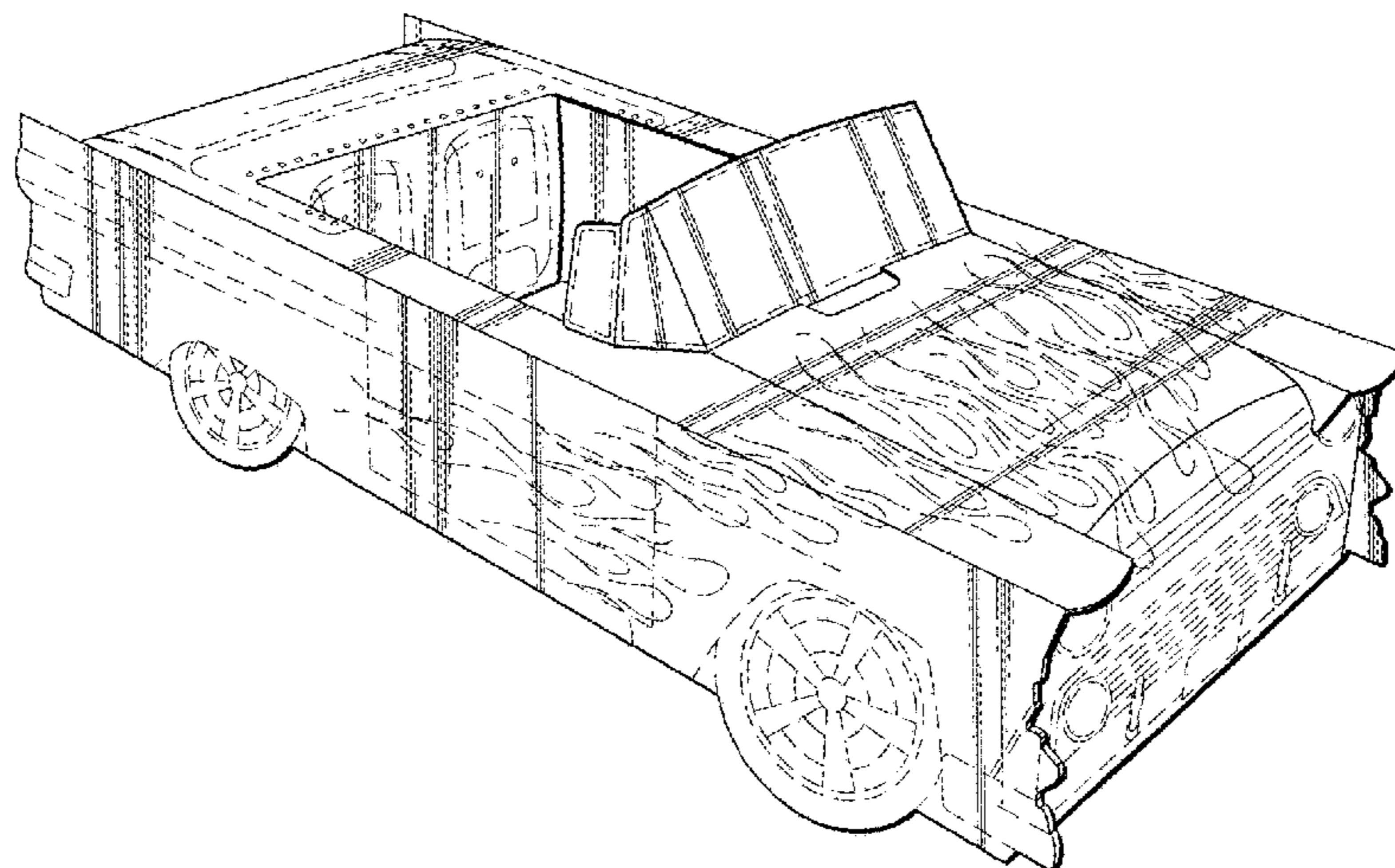
(57) **CLAIM**

The ornamental design for a vehicle carton, as shown and described.

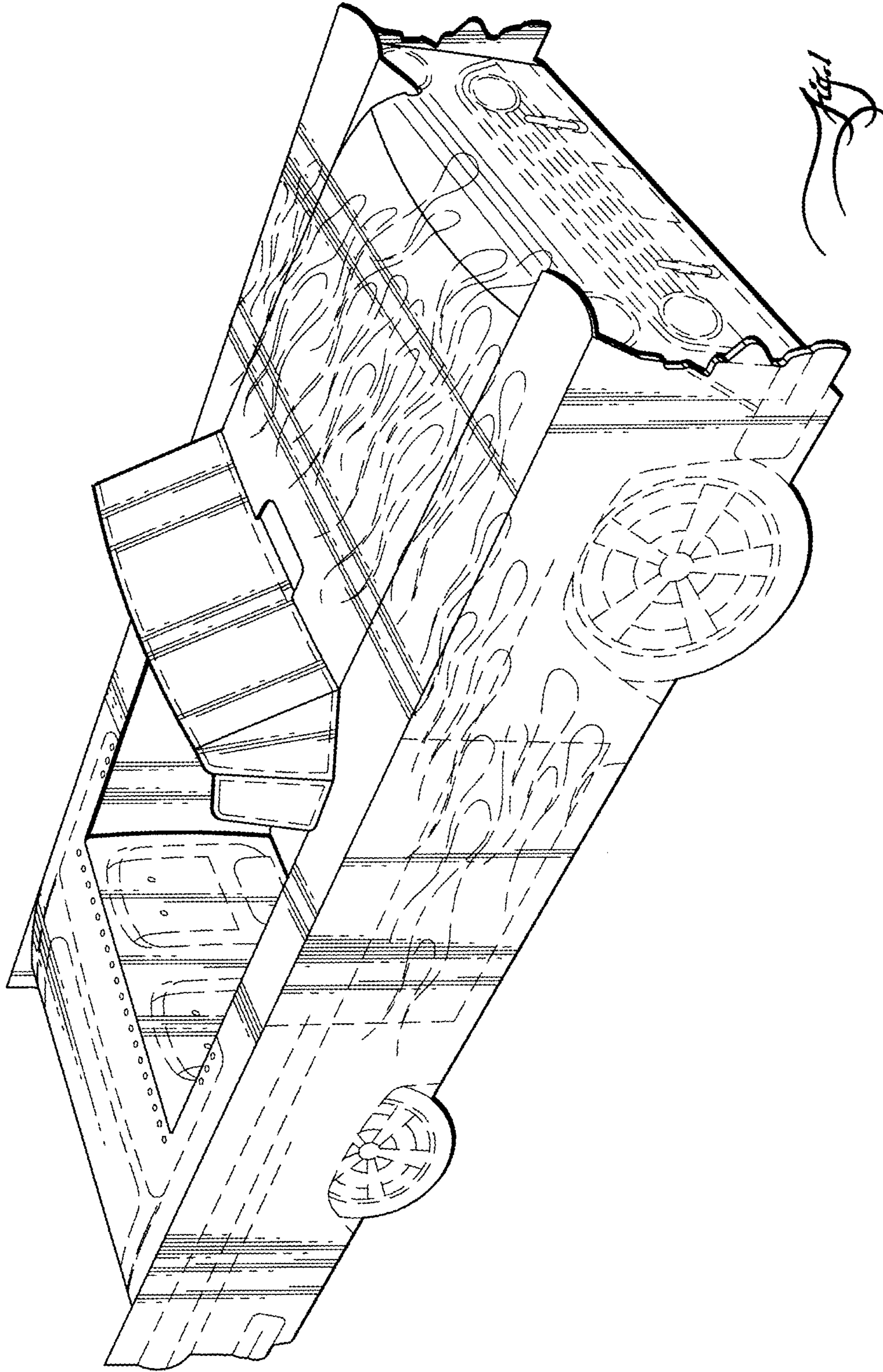
**DESCRIPTION**

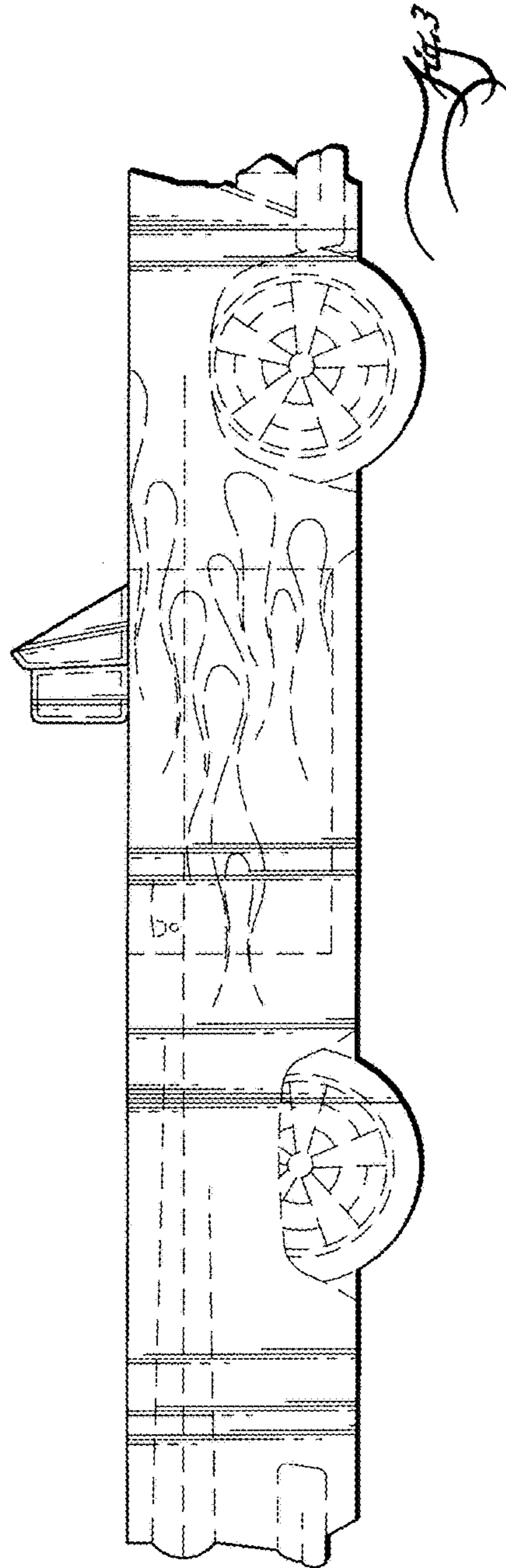
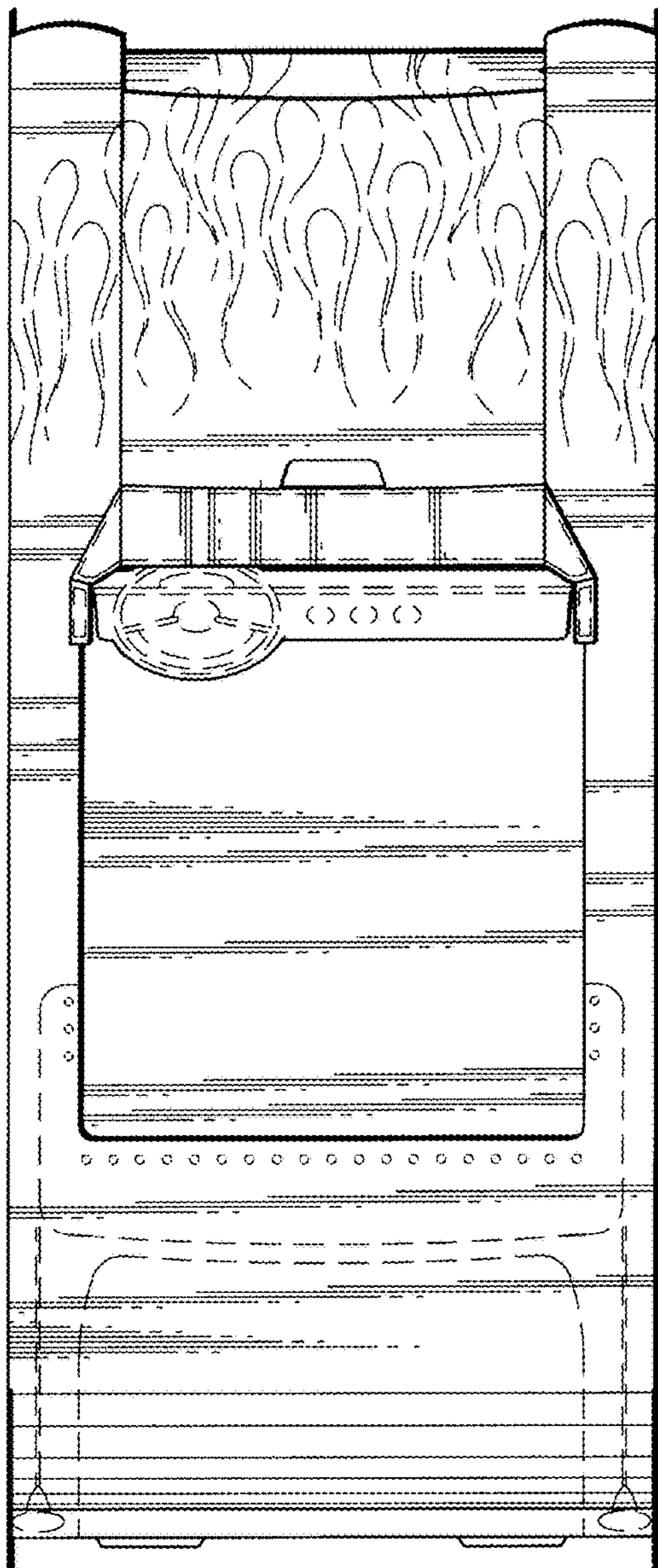
FIG. 1 is a perspective view of an ornamental design for a vehicle carton;  
FIG. 2 is a top view thereof;  
FIG. 3 is a side view thereof;  
FIG. 4 is a front end view thereof;  
FIG. 5 is a rear end view thereof;  
FIG. 6 is a bottom view thereof; and,  
FIG. 7 is a flat unfolded view of thereof.  
The broken lines in FIGS. 1-6 are for illustrative purposes only and form no part of the design. The broken lines in FIG. 7 depict fold lines.

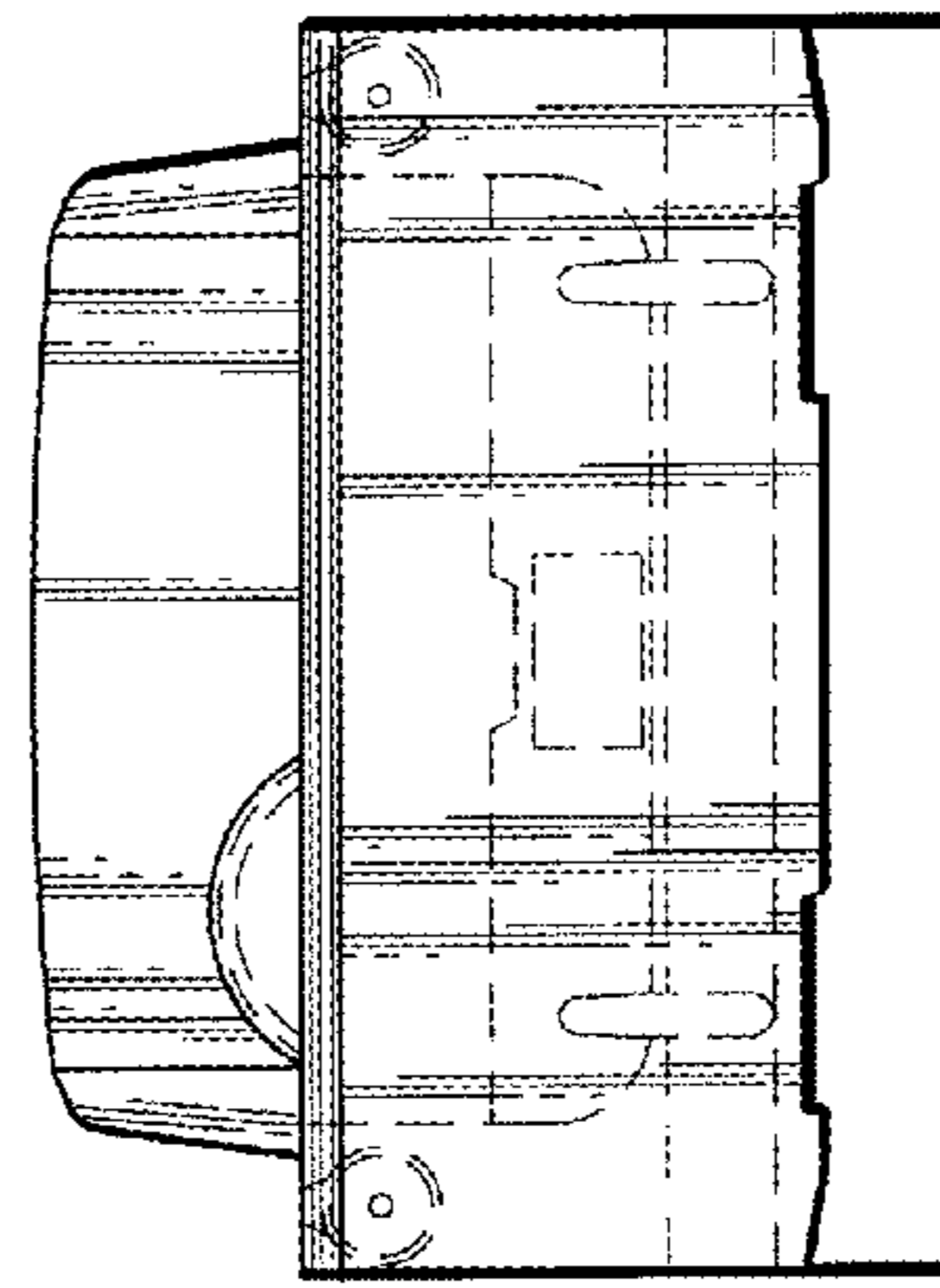
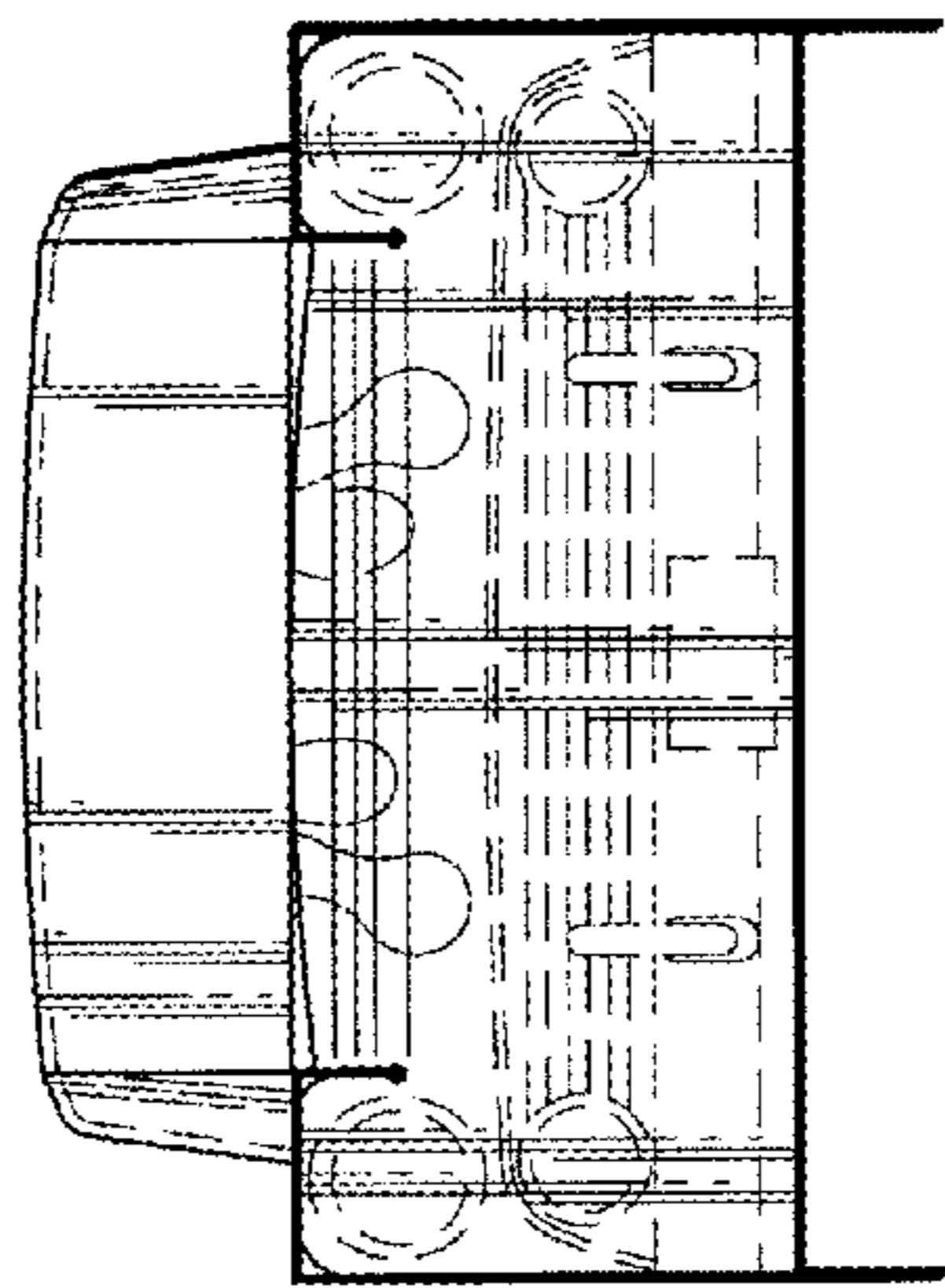
**1 Claim, 5 Drawing Sheets**

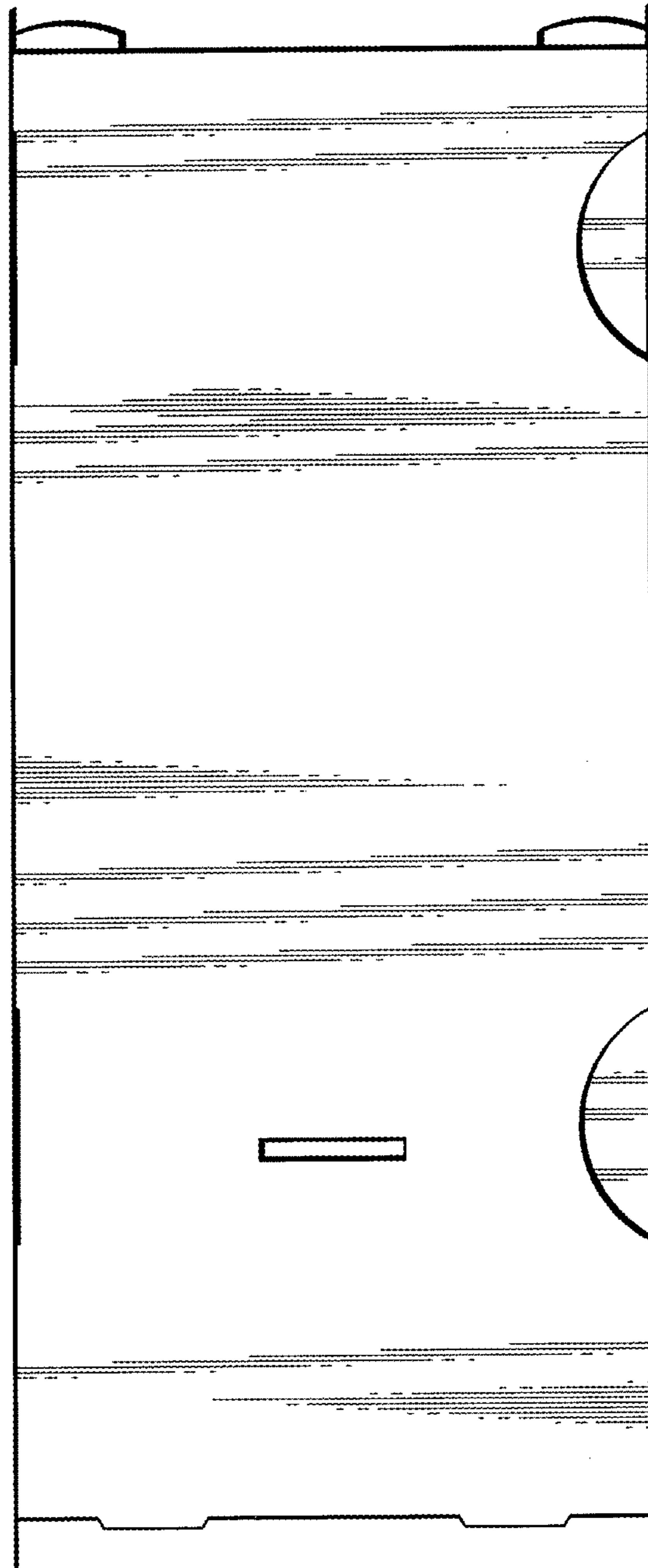












*Fig. 4*

