



US00D811230S

(12) **United States Design Patent** (10) **Patent No.:** **US D811,230 S**
Jovanovic (45) **Date of Patent:** **** *Feb. 27, 2018**

(54) **BOTTLE**

(71) Applicant: **Aquawell Group AG**, Kuessnacht am Rigi (CH)

(72) Inventor: **Mischa Jovanovic**, Thawil (CH)

(73) Assignee: **Aquawell Group AG**, Kuessnacht am Rigi (CH)

(*) Notice: This patent is subject to a terminal disclaimer.

(**) Term: **15 Years**

(21) Appl. No.: **29/556,926**

(22) Filed: **Mar. 4, 2016**

(51) **LOC (11) Cl.** **09-01**

(52) **U.S. Cl.**
USPC **D9/538; D9/551**

(58) **Field of Classification Search**
USPC D4/116; D6/515-516, 542-545;
D7/300-322, 391-396.2, 509-511, 523,
D7/589, 598, 612, 615, 619.1; D9/435,
D9/436, 439, 440, 443, 447, 454, 500,
D9/503-505, 516-575, 763-783;
D24/197; D28/78, 82; 215/40-55,
215/316-354, 370-385; 220/574-575
CPC B65D 1/00; B65D 1/02; B65D 1/0223;
B65D 1/023; B65D 1/0276
See application file for complete search history.

(56) **References Cited**

U.S. PATENT DOCUMENTS

5,927,533 A * 7/1999 Payne B65D 23/102
215/375
D417,392 S * 12/1999 Zhang D9/434
D556,580 S * 12/2007 Yamada D9/454

(Continued)

OTHER PUBLICATIONS

“Products—Still Water/Classic Sparkling.” saint-johns.com. Copyright 2015. Accessed May 19, 2017. Available online at URL: <<http://www.saint-johns.com/products.html>>.*

“Aquawell Group AG.” saint-johns.com. Nov. 16, 2015. Accessed May 19, 2017. Available online at URL: <<http://www.saint-johns.com/pdf/aquawell-group-ag-EN.pdf>>.*

Primary Examiner — Cathron C Brooks

Assistant Examiner — Christian P. McLean

(74) *Attorney, Agent, or Firm* — Michael J. Brown

(57) **CLAIM**

I claim the ornamental design for the bottle, as shown and described.

DESCRIPTION

FIG. 1 is a bottom view of the new ornamental bottle of the present invention.

FIG. 2 is a right side view thereof, the left side being a mirror image thereof.

FIG. 3 is a side perspective view thereof.

FIG. 4 is a top view thereof.

FIG. 5 is a bottom view of a bottle according to a second embodiment.

FIG. 6 is a right side view thereof, the left side being a mirror image thereof.

FIG. 7 is a side perspective view thereof.

FIG. 8 is a top view thereof.

FIG. 9 is a bottom view of a bottle according to a third embodiment.

FIG. 10 is a right side view thereof, the left side being a mirror image thereof.

FIG. 11 is a side perspective view thereof.

FIG. 12 is a top view thereof.

FIG. 13 is a bottom view of a bottle according to a fourth embodiment.

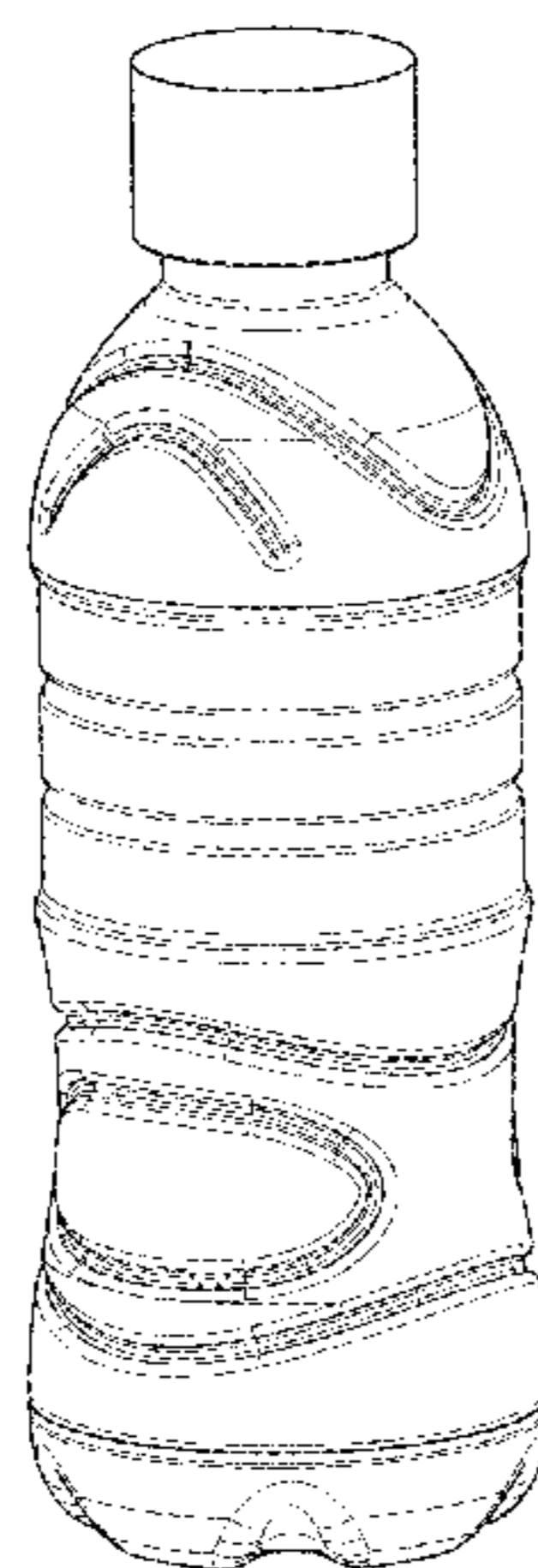
FIG. 14 is a right side view thereof, the left side being a mirror image thereof.

FIG. 15 is a side perspective view thereof; and,

FIG. 16 is a top view thereof.

The broken line showing portions of a bottle forms no part of the claimed design.

1 Claim, 4 Drawing Sheets



(56)

References Cited

U.S. PATENT DOCUMENTS

D561,597	S	*	2/2008	Venkataraman	D9/550
D576,049	S	*	9/2008	Trollope	D9/520
D576,051	S	*	9/2008	Darr	D9/552
D601,906	S	*	10/2009	Leruste	D9/560
D602,783	S	*	10/2009	Lepoitevin	D9/520
D609,108	S	*	2/2010	George	D9/520
D624,824	S	*	10/2010	Perez	D9/551
D630,947	S	*	1/2011	Mashouf	D9/516
D646,980	S	*	10/2011	Inoi	D9/552
D698,659	S	*	2/2014	Bronstein	D9/551
D739,758	S	*	9/2015	Kissinger	D9/552
D744,841	S	*	12/2015	Llewellyn	D9/453
D748,984	S	*	2/2016	Andersson	D9/537
D749,954	S	*	2/2016	Darr	D9/516
D757,556	S	*	5/2016	Lesueur	D9/520
D759,494	S	*	6/2016	Hanan	D9/552
D763,090	S	*	8/2016	Zeng	D9/538
D763,092	S	*	8/2016	Darr	D9/539
2014/0183202	A1	*	7/2014	Hanan	B65D 1/0284 220/669
2015/0336320	A1	*	11/2015	Poulat	B65D 1/0207 53/453
2016/0144992	A1	*	5/2016	Hermel	B65D 1/0284 215/375
2016/0304232	A1	*	10/2016	Suzuki	B65D 1/0276
2016/0304233	A1	*	10/2016	Hermel	B65D 1/0284
2017/0121049	A1	*	5/2017	Bouquin	B65D 1/0284

* cited by examiner

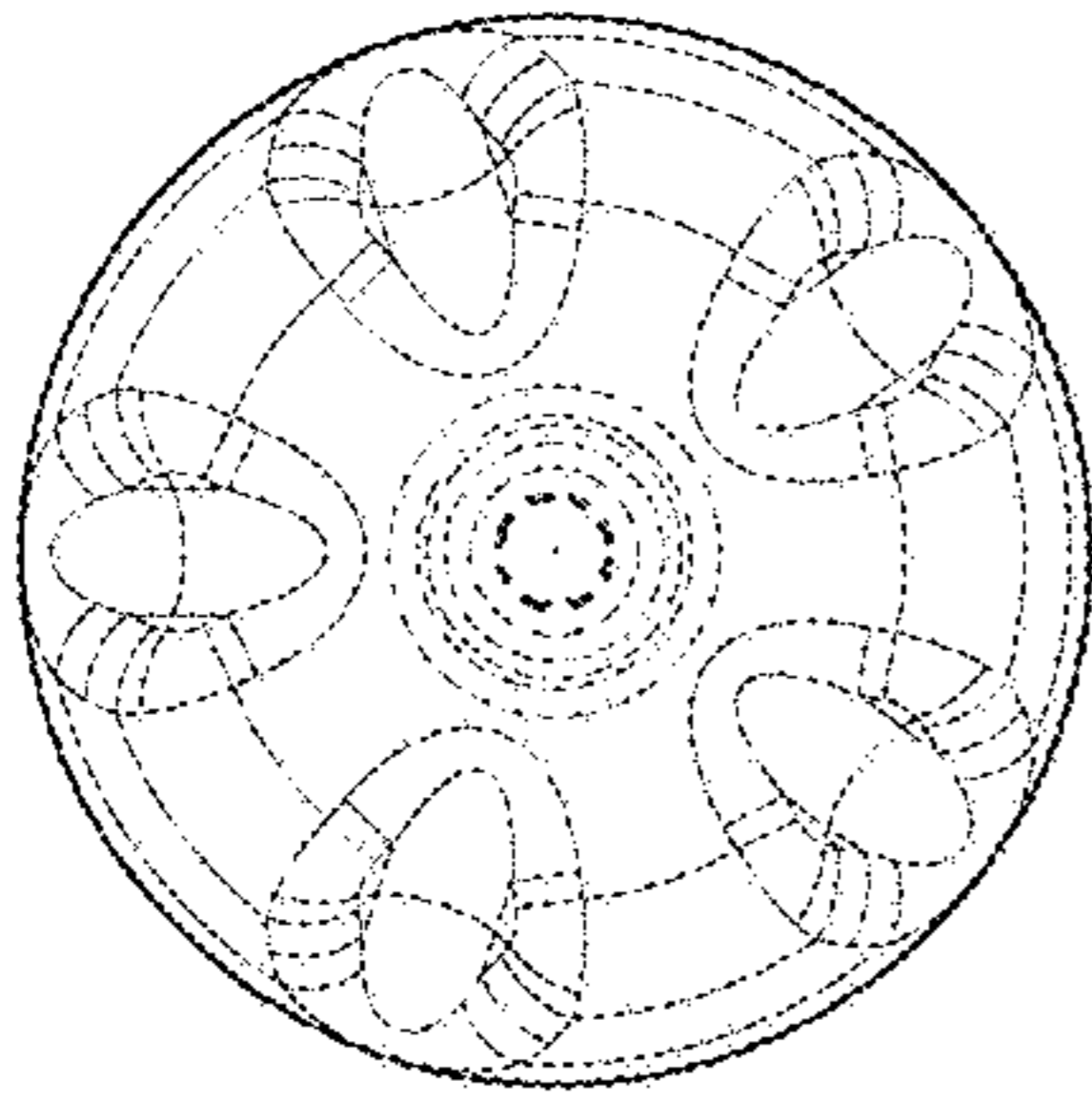


Fig. 1

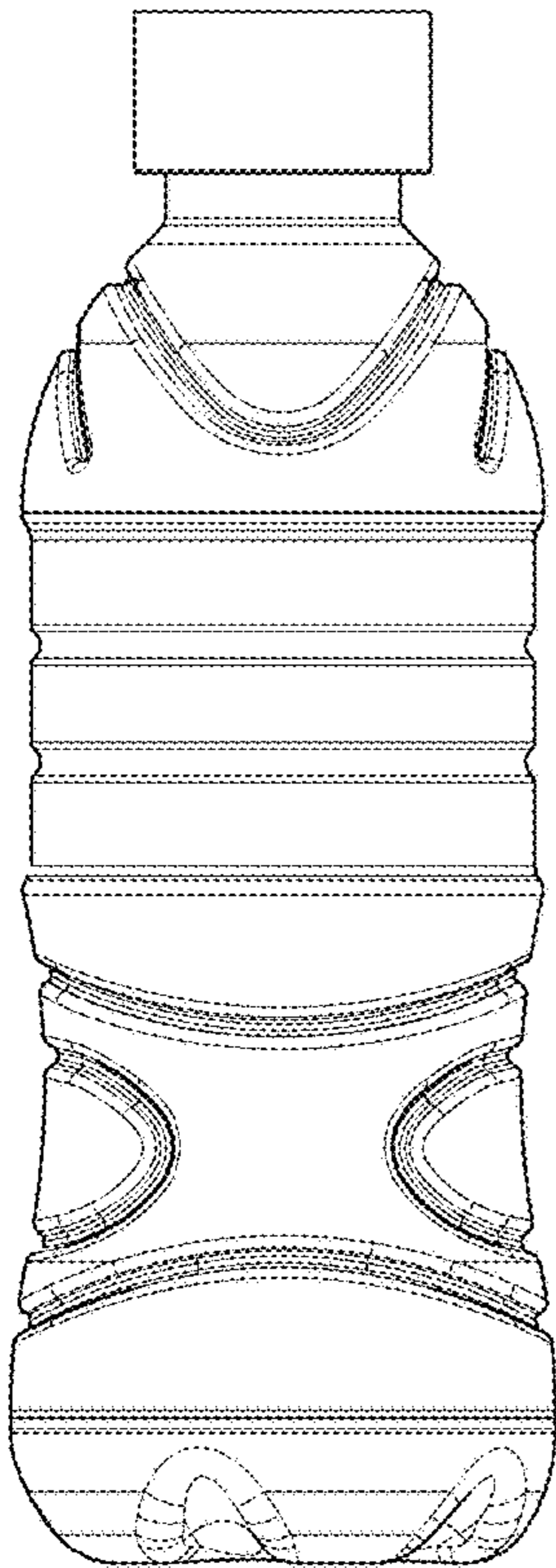


Fig. 2

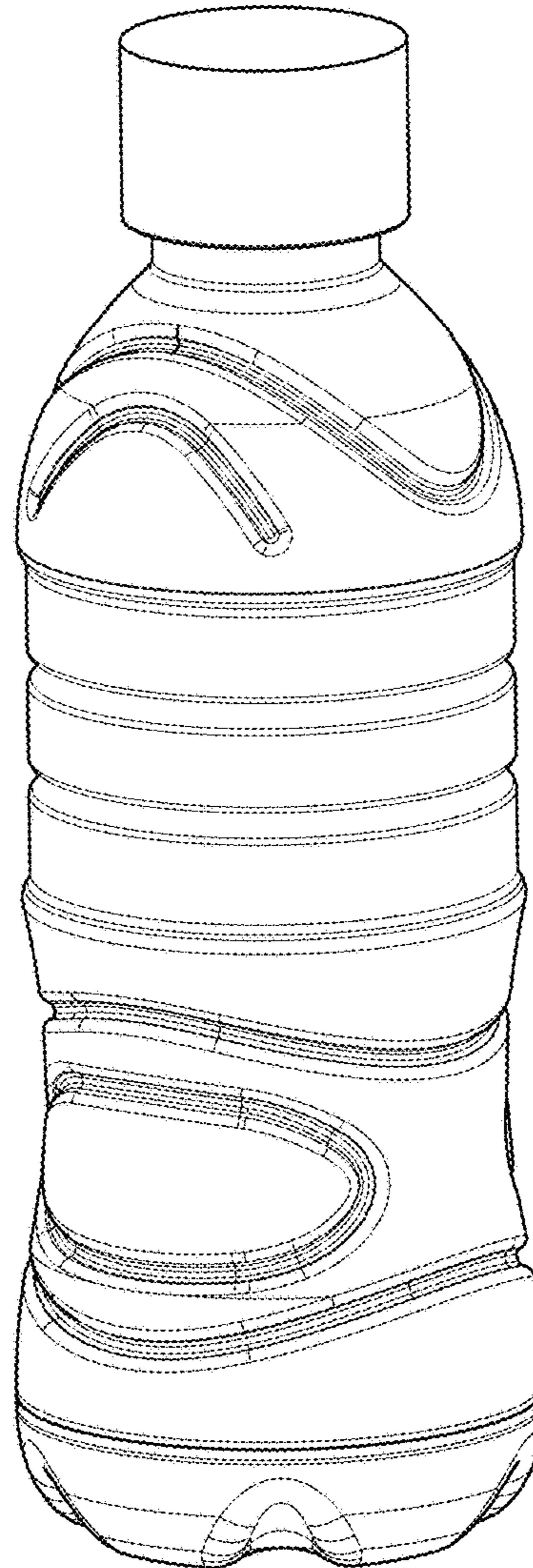


Fig. 3

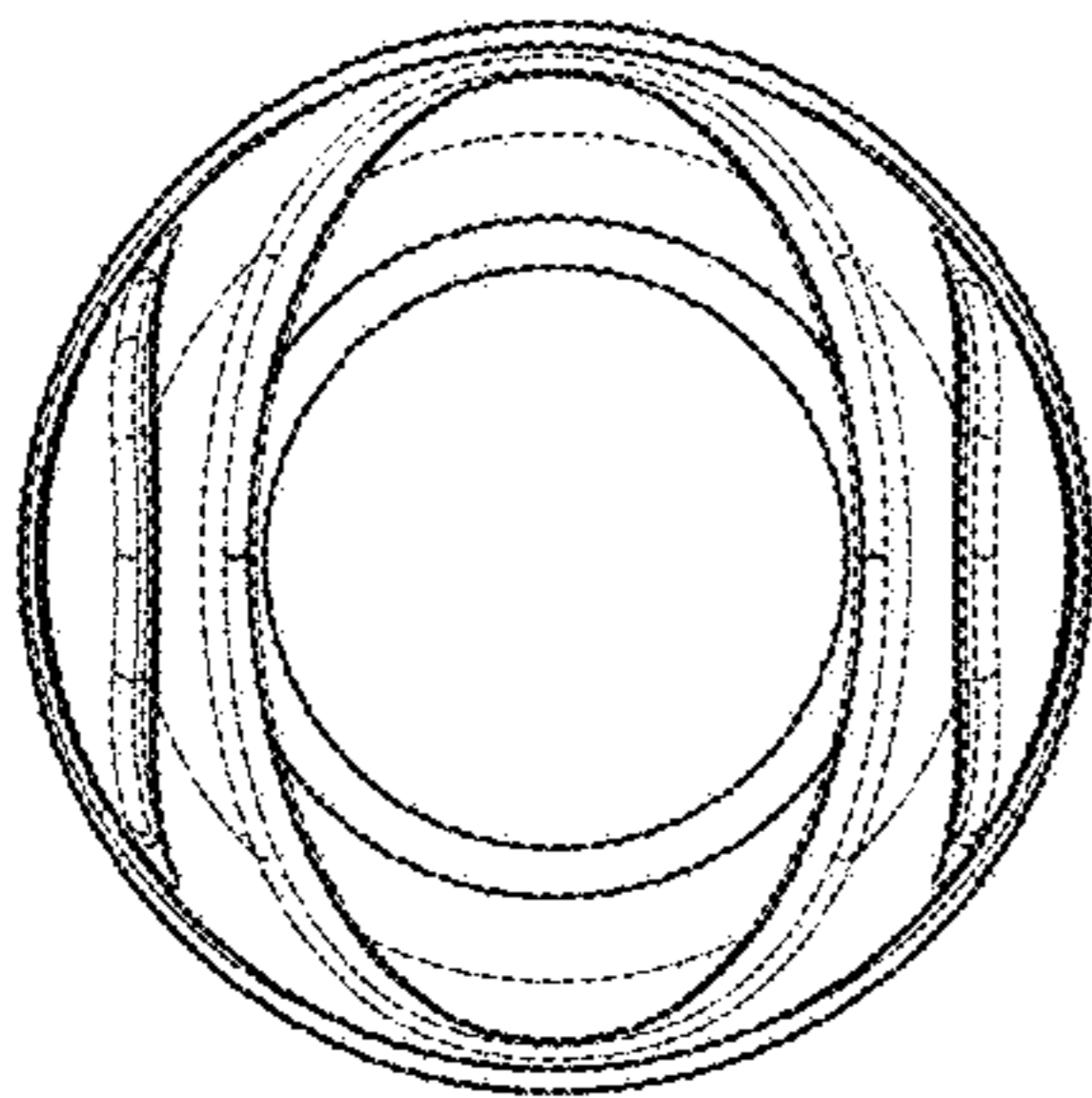


Fig. 4

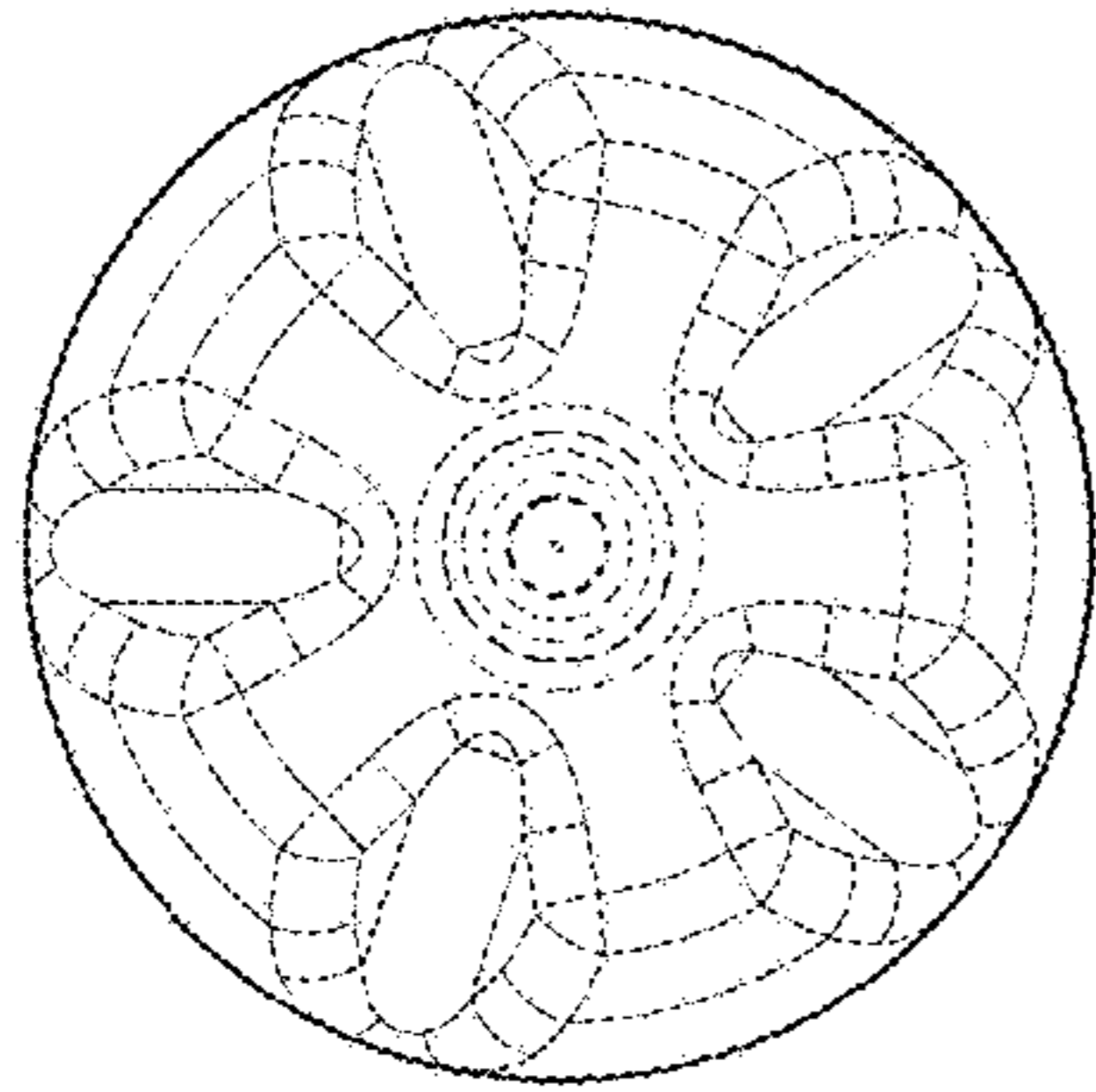


Fig. 5

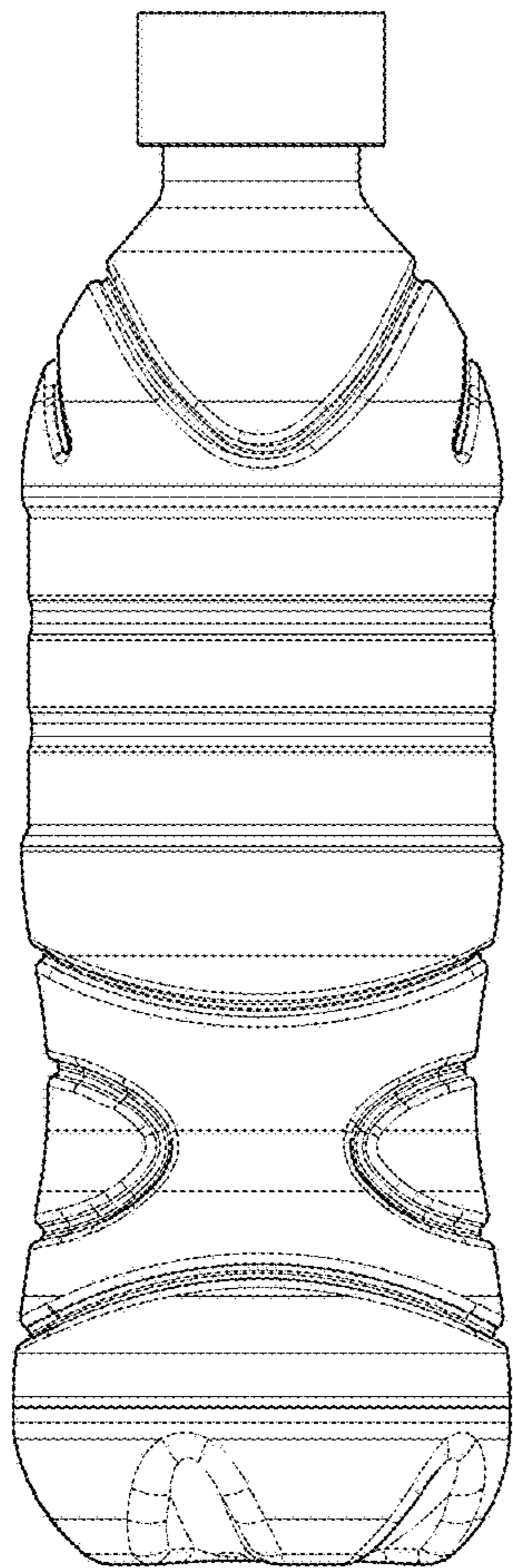


Fig. 6

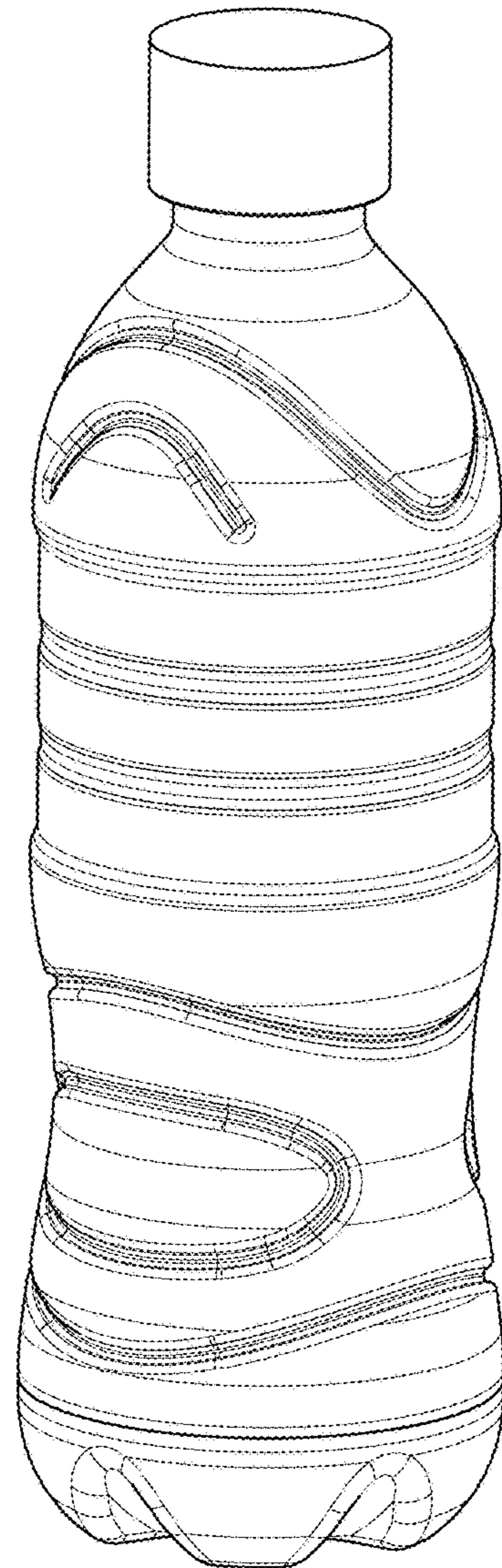


Fig. 7

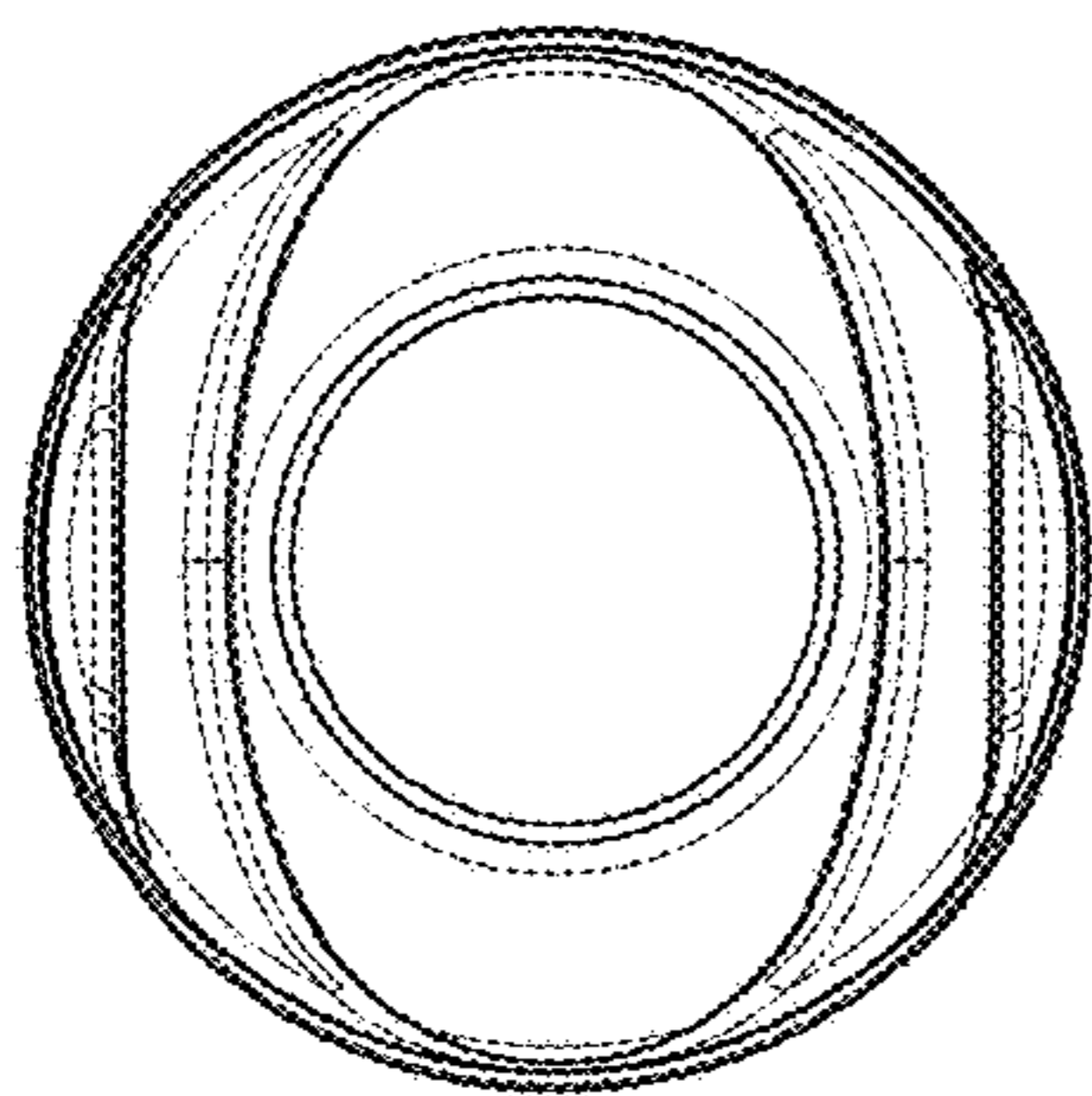


Fig. 8

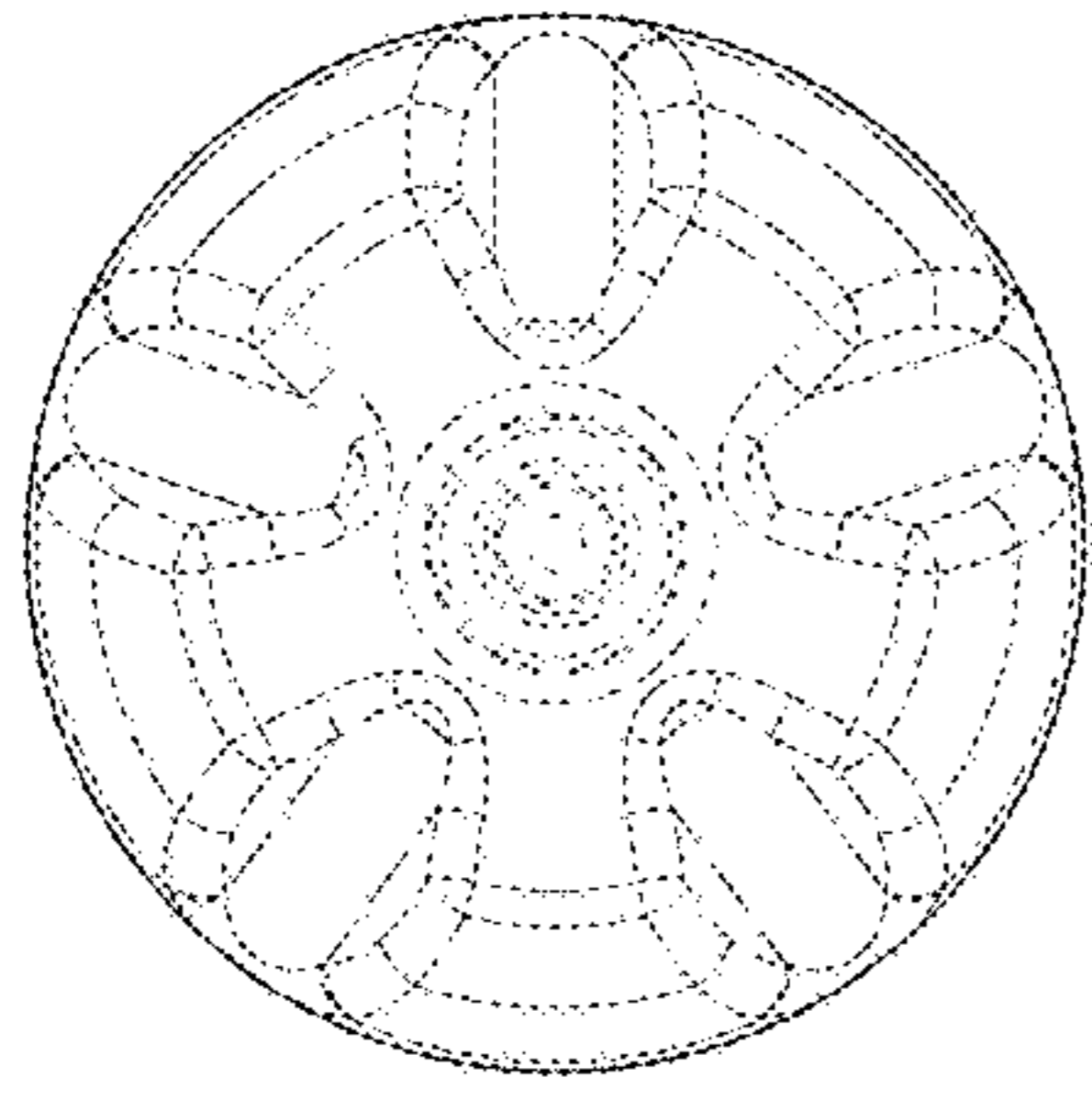


Fig. 9

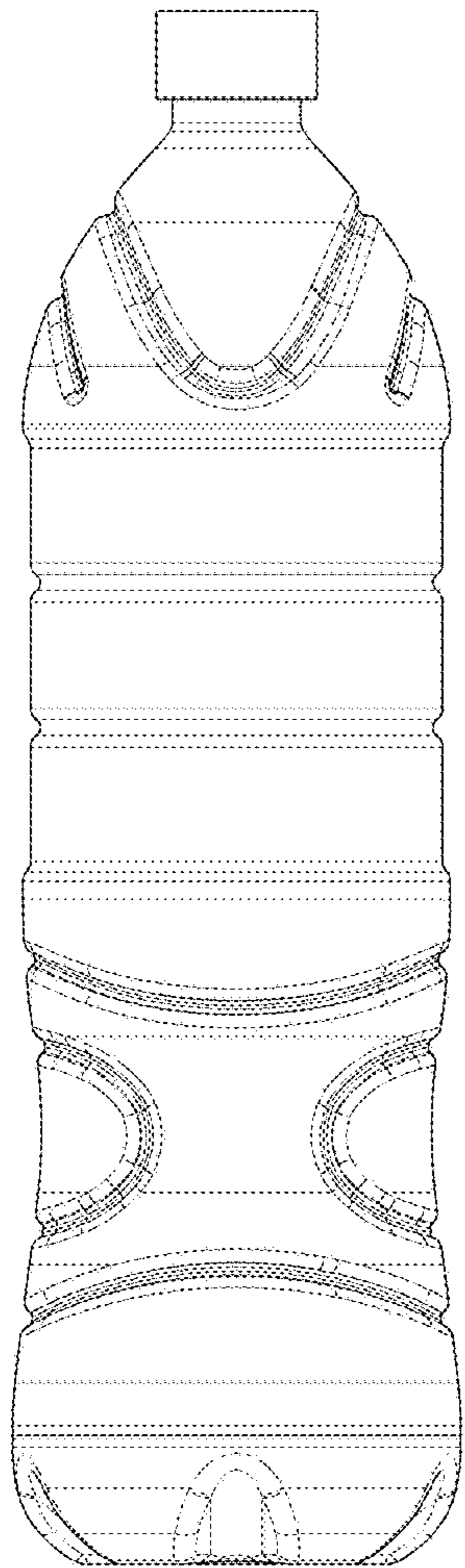


Fig. 10

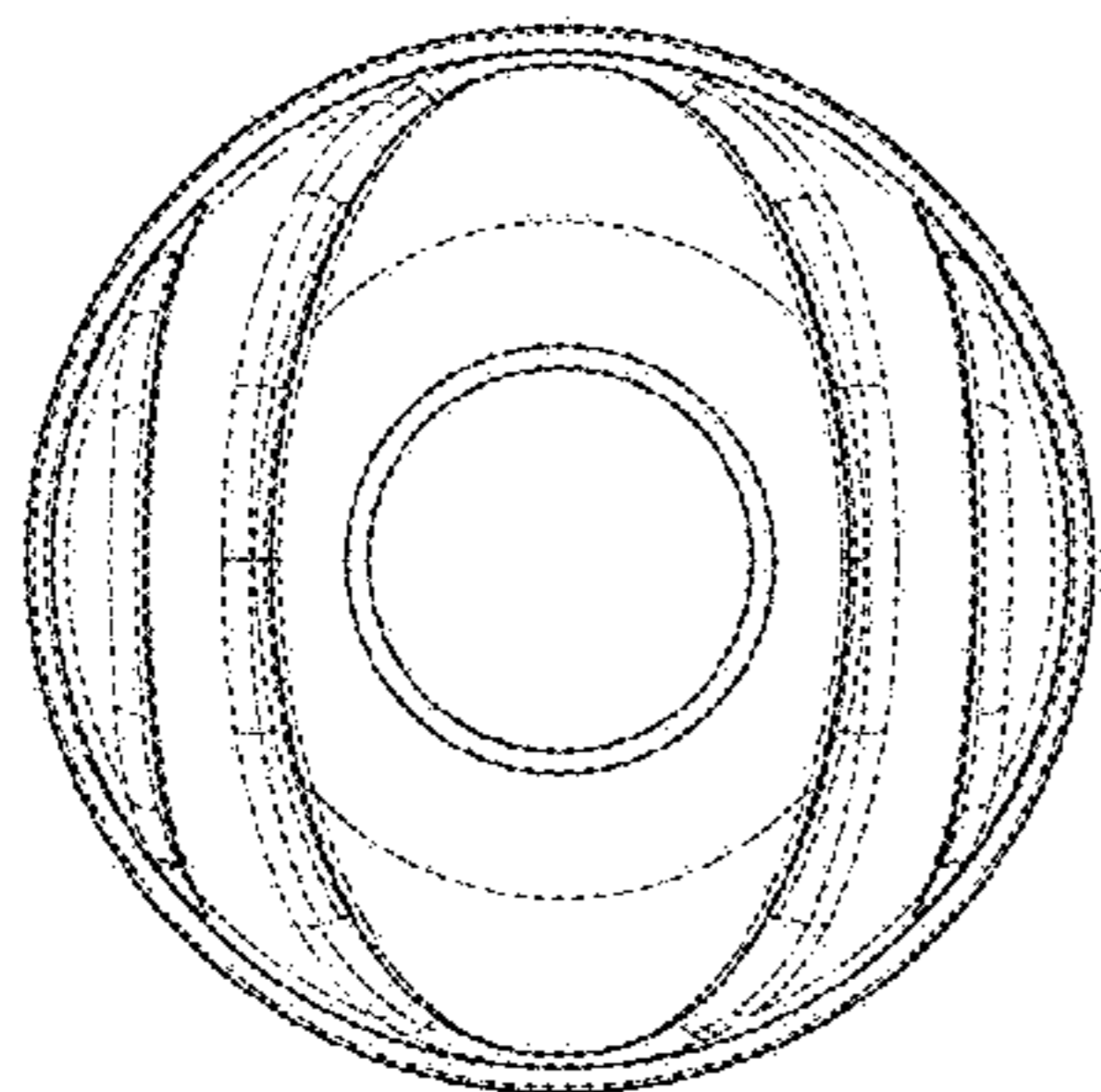


Fig. 12

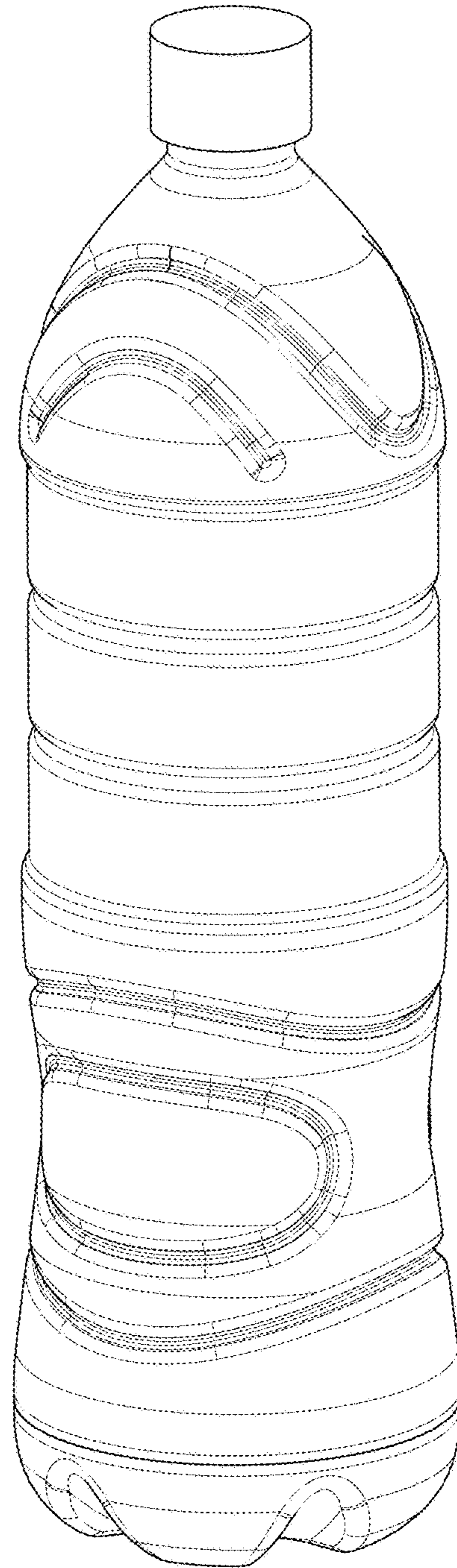


Fig. 11

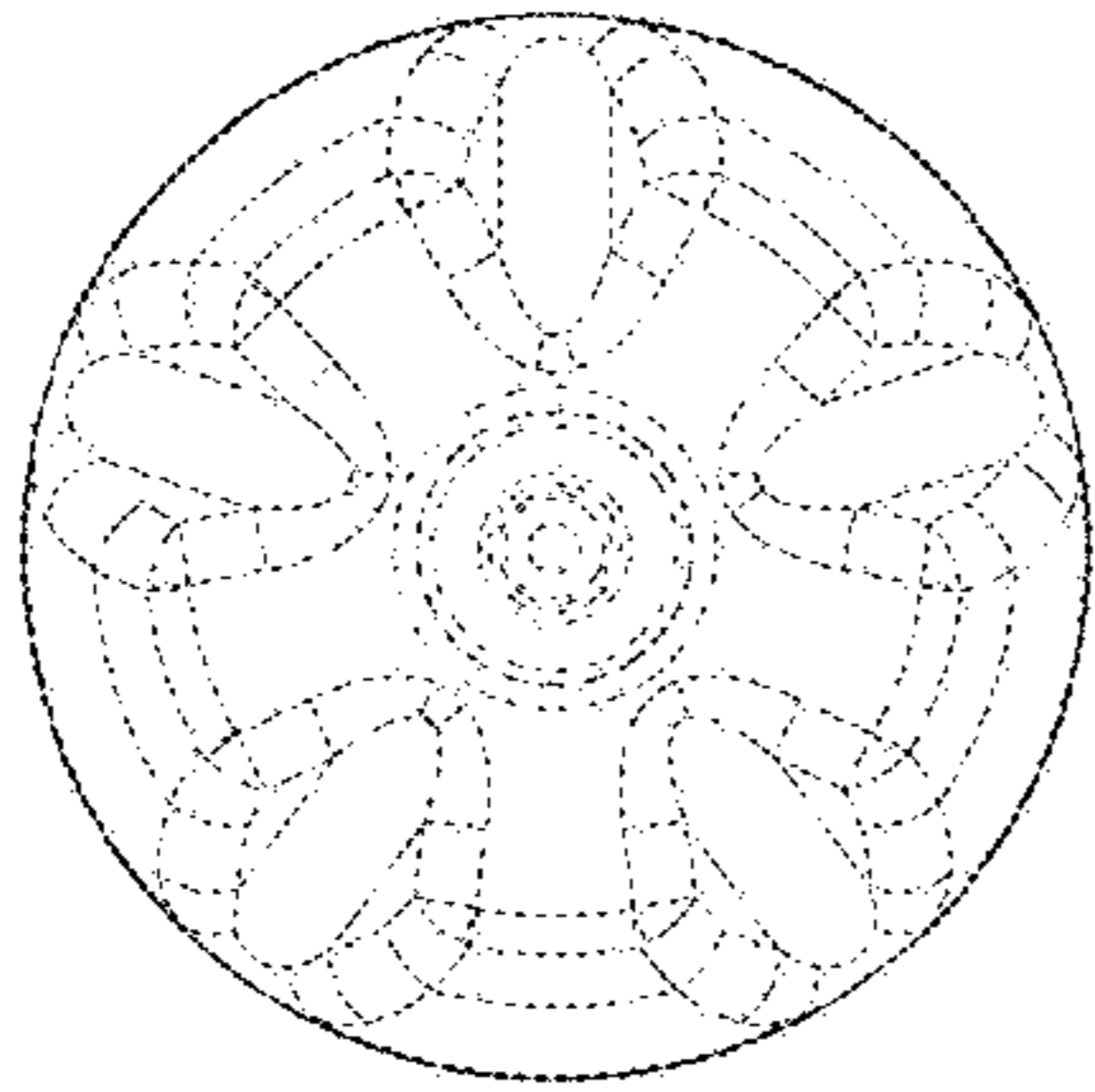


Fig. 13

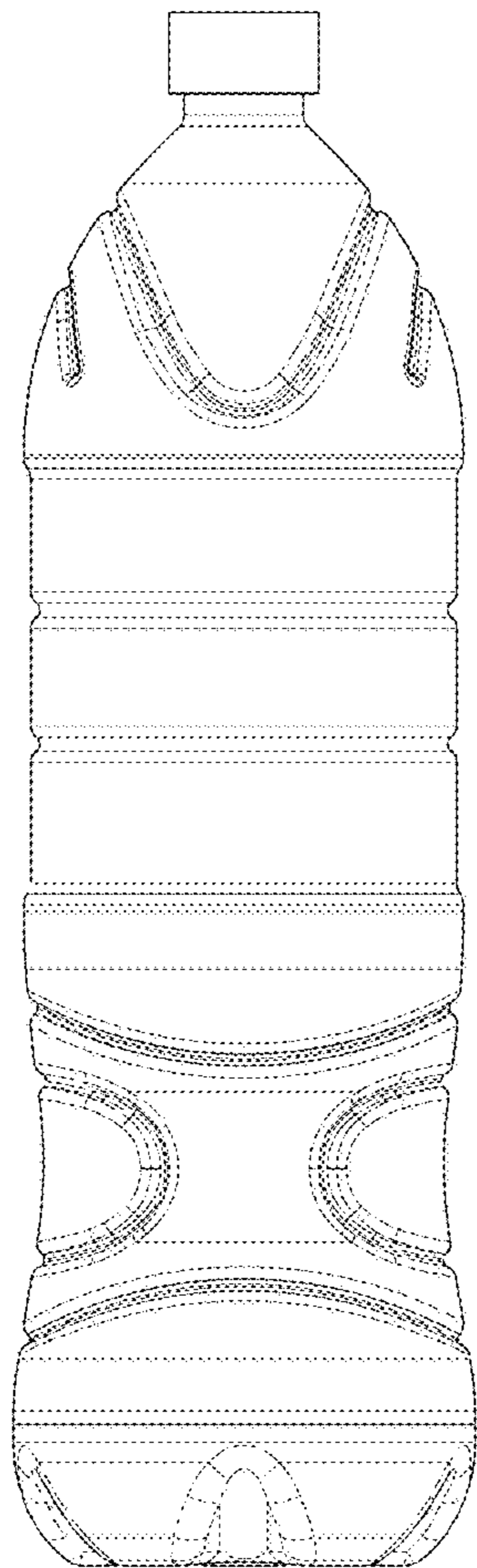


Fig. 14

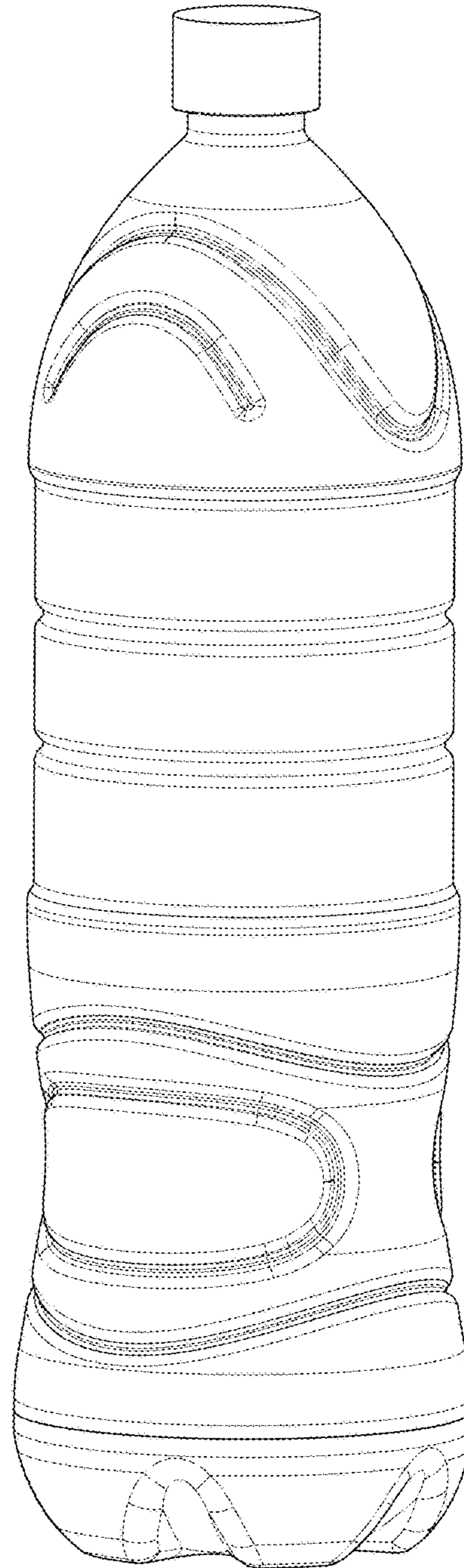


Fig. 15

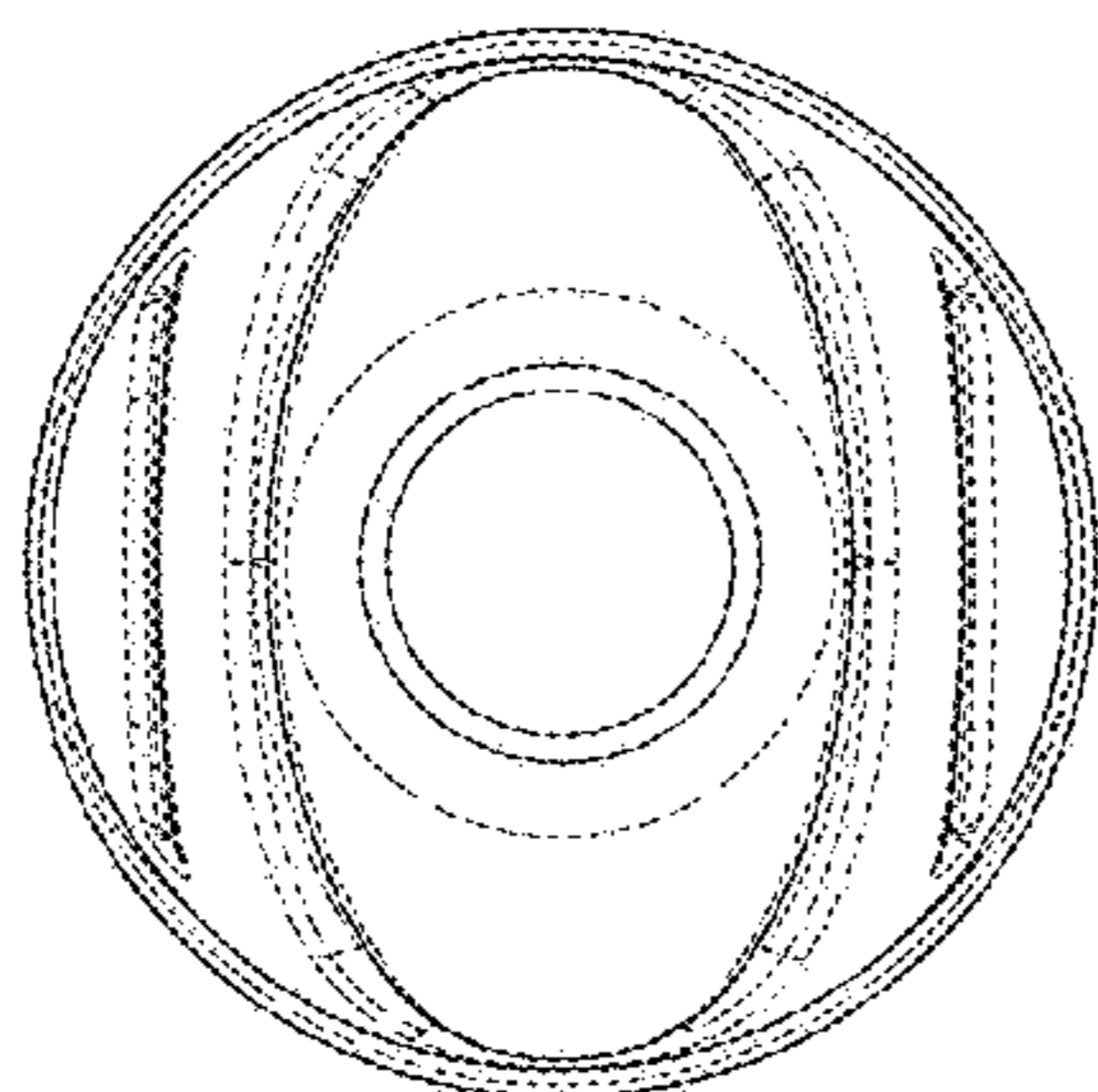


Fig. 16