



US00D811229S

(12) **United States Design Patent**
Zhang

(10) **Patent No.:** **US D811,229 S**

(45) **Date of Patent:** **** Feb. 27, 2018**

(54) **BOTTLE**

(71) Applicant: **Xiaoling Zhang**, Guangdong Province (CN)

(72) Inventor: **Xiaoling Zhang**, Guangdong Province (CN)

(**) Term: **15 Years**

(21) Appl. No.: **29/568,189**

(22) Filed: **Jun. 16, 2016**

(51) **LOC (11) Cl.** **09-01**

(52) **U.S. Cl.**
USPC **D9/534; D9/537; D9/523**

(58) **Field of Classification Search**
USPC D7/312, 313, 320, 322, 399, 401.1;
D9/516, 522, 530, 531, 534, 536, 537,
D9/539, 544, 549, 551, 558, 724;
215/248, 307, 379, 381-385, 902;
220/660, 662, 669, 675
CPC B29L 2031/7158; B65D 1/0223; B65D
1/0207; B65D 1/023; B65D 13/02; B65D
2501/0081

See application file for complete search history.

(56) **References Cited**

U.S. PATENT DOCUMENTS

- 3,918,582 A * 11/1975 Wallace B44D 3/006
134/900
- D297,305 S * 8/1988 Rudick D9/688
- D331,365 S * 12/1992 Davis D7/300.1
- D361,242 S * 8/1995 Baroudi D7/397
- D403,200 S * 12/1998 Joergensen D7/317
- D408,209 S * 4/1999 Bhumra D7/312
- 6,039,215 A * 3/2000 Bell B65D 47/0857
222/137
- D435,995 S * 1/2001 Mano D7/317
- D436,283 S * 1/2001 Tsubokawa D7/317

- D481,254 S * 10/2003 Lin D7/317
- D599,215 S * 9/2009 Mulhauser D9/724
- D652,668 S * 1/2012 Wang D7/306

OTHER PUBLICATIONS

Lumax Galvanized Measure Can with Flex Spout, announced Jul. 2011, [online], site visited May 9, 2017. Available from Internet, <URL: <http://www.amazon.com>>.*

Plews Plastic Measure Spout, announced Jul. 2010, [online], site visited Jan. 4, 2017. Available from Internet, <URL: <http://www.amazon.com>>.*

* cited by examiner

Primary Examiner — Derrick E Holland
Assistant Examiner — Janice Julia Patyk

(57) **CLAIM**

The ornamental design for a bottle, as shown and described.

DESCRIPTION

FIG. 1 is a front elevational view of a bottle, showing my new design;

FIG. 2 is a rear elevational view thereof;

FIG. 3 is a left side elevational view thereof;

FIG. 4 is a right side elevational view thereof;

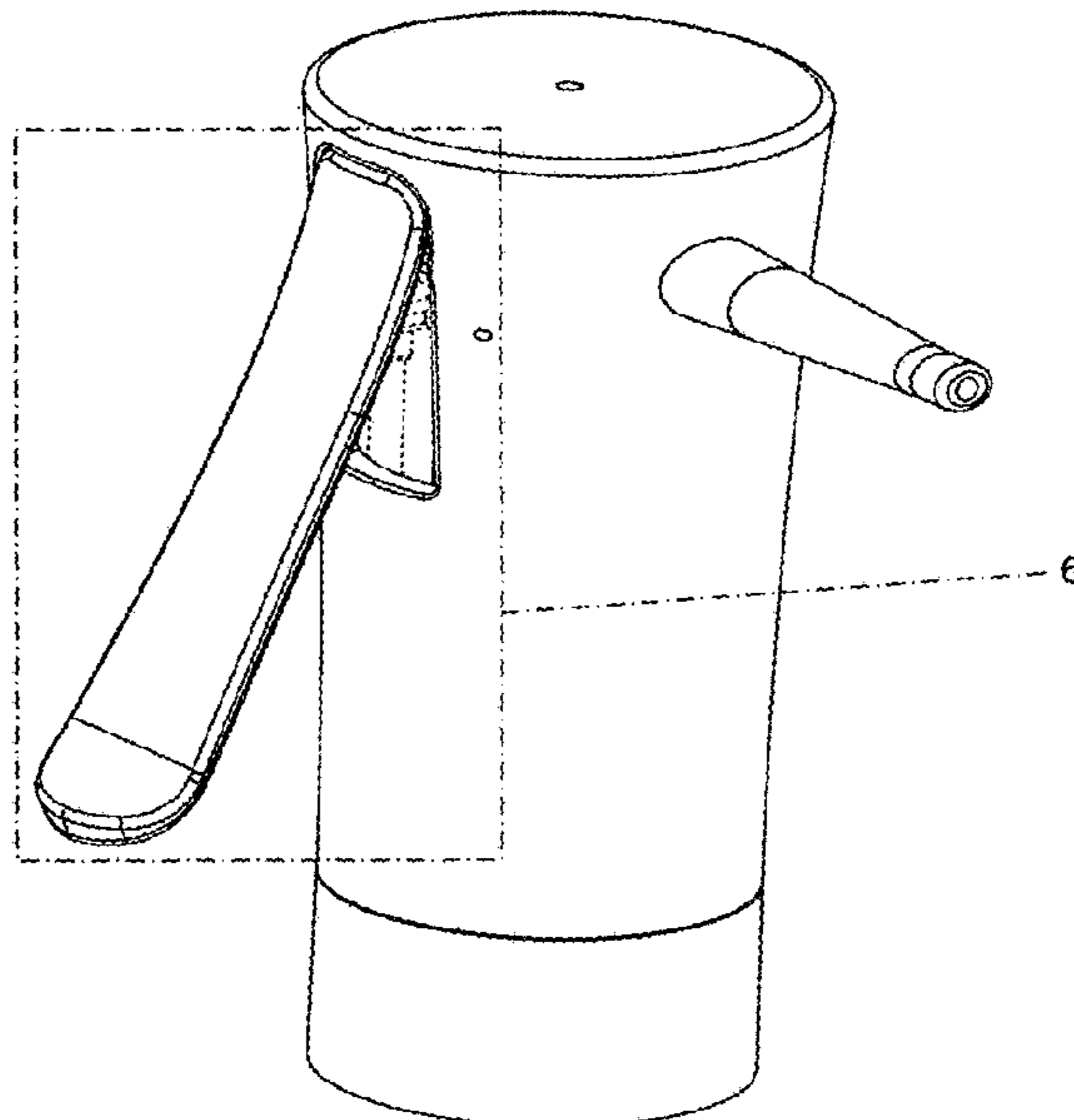
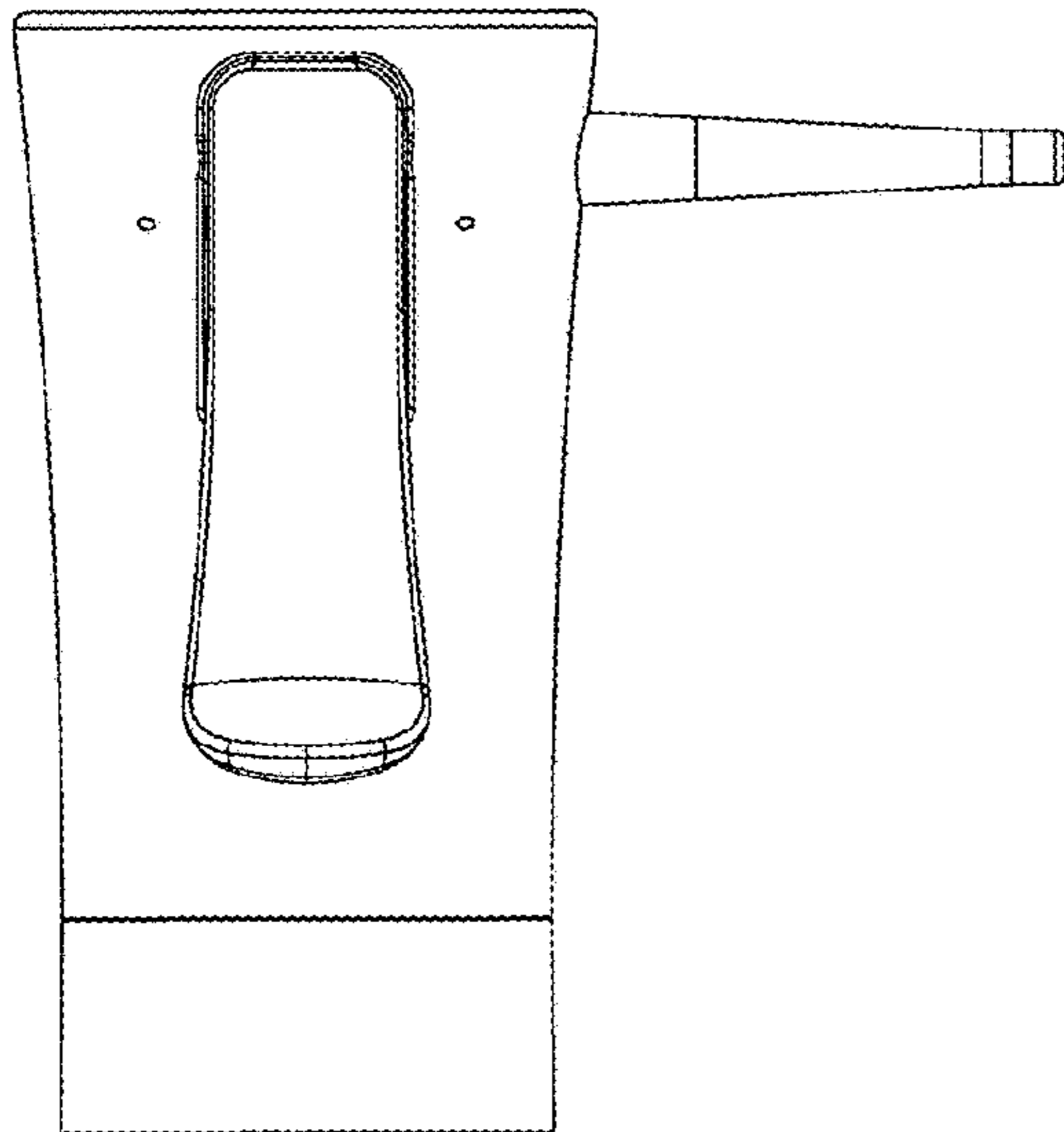
FIG. 5 is a perspective view thereof; and,

FIG. 6 is a partially enlarged view thereof, taken from FIG. 5.

The broken lines portions show unclaimed subject matter only and form no part of the claimed design.

The dot-dash broken lines of FIGS. 5 and 6 are included to show a partially enlarged view only and form no part of the claimed design.

1 Claim, 6 Drawing Sheets



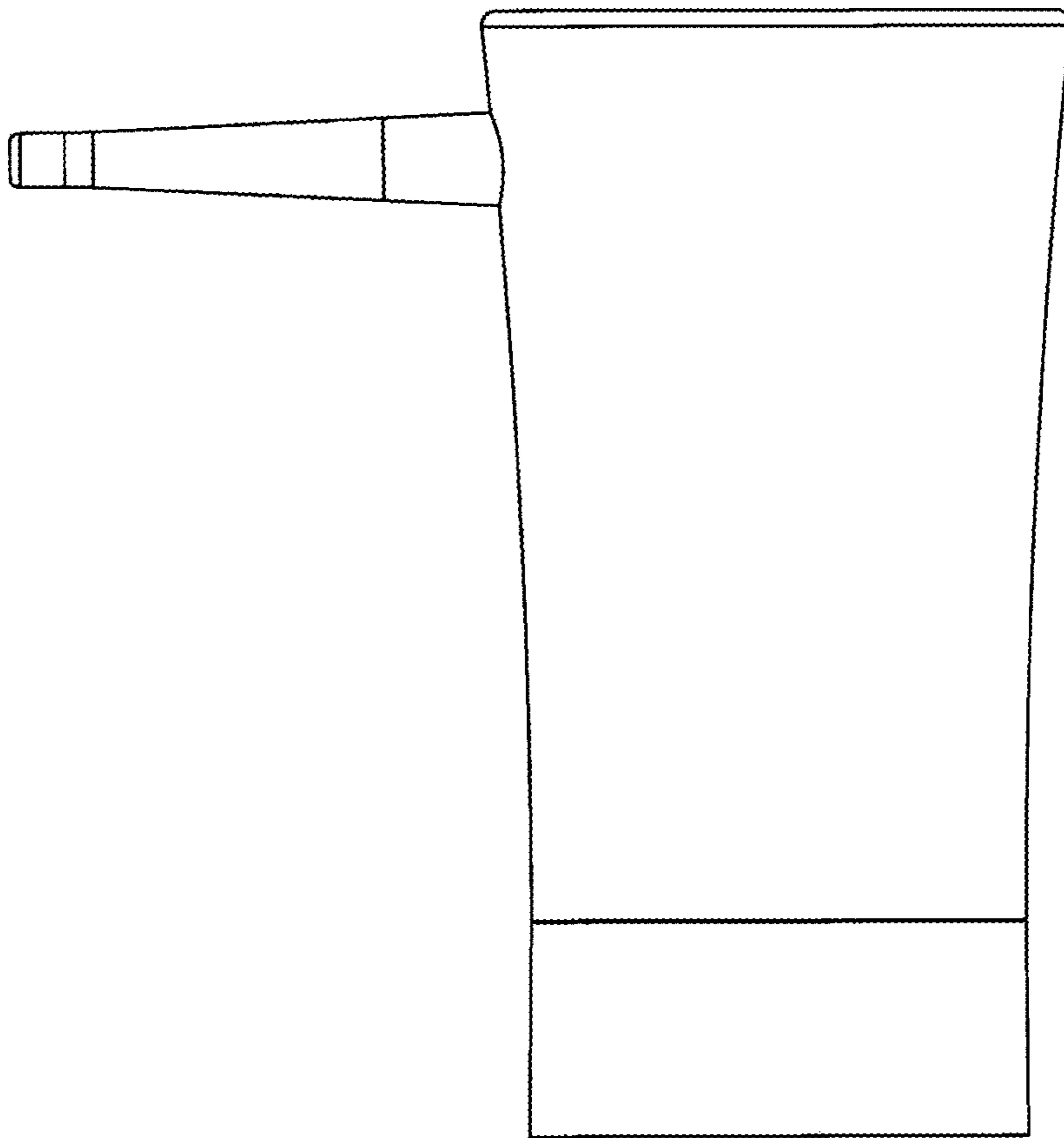


FIG. 1

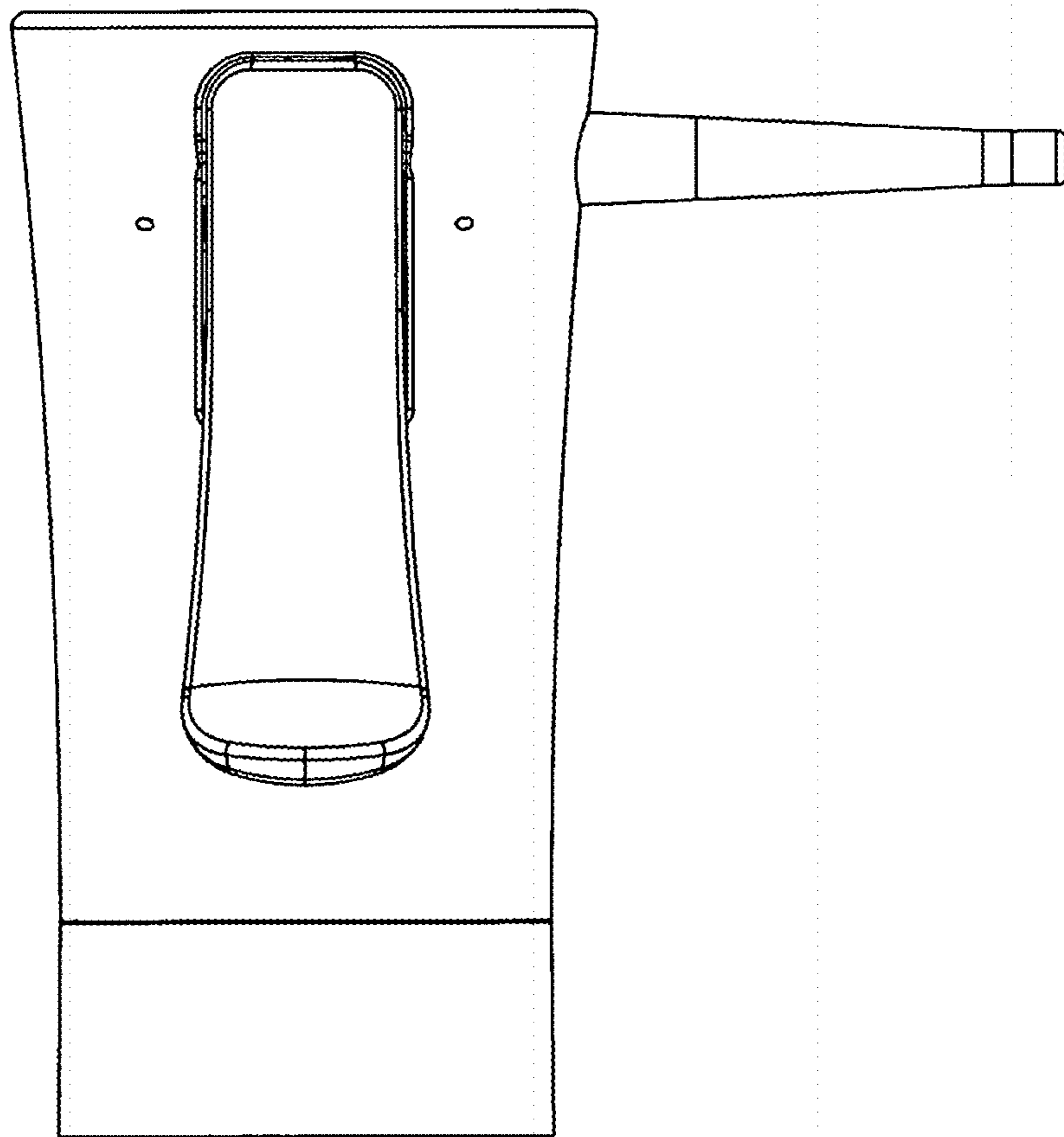


FIG. 2

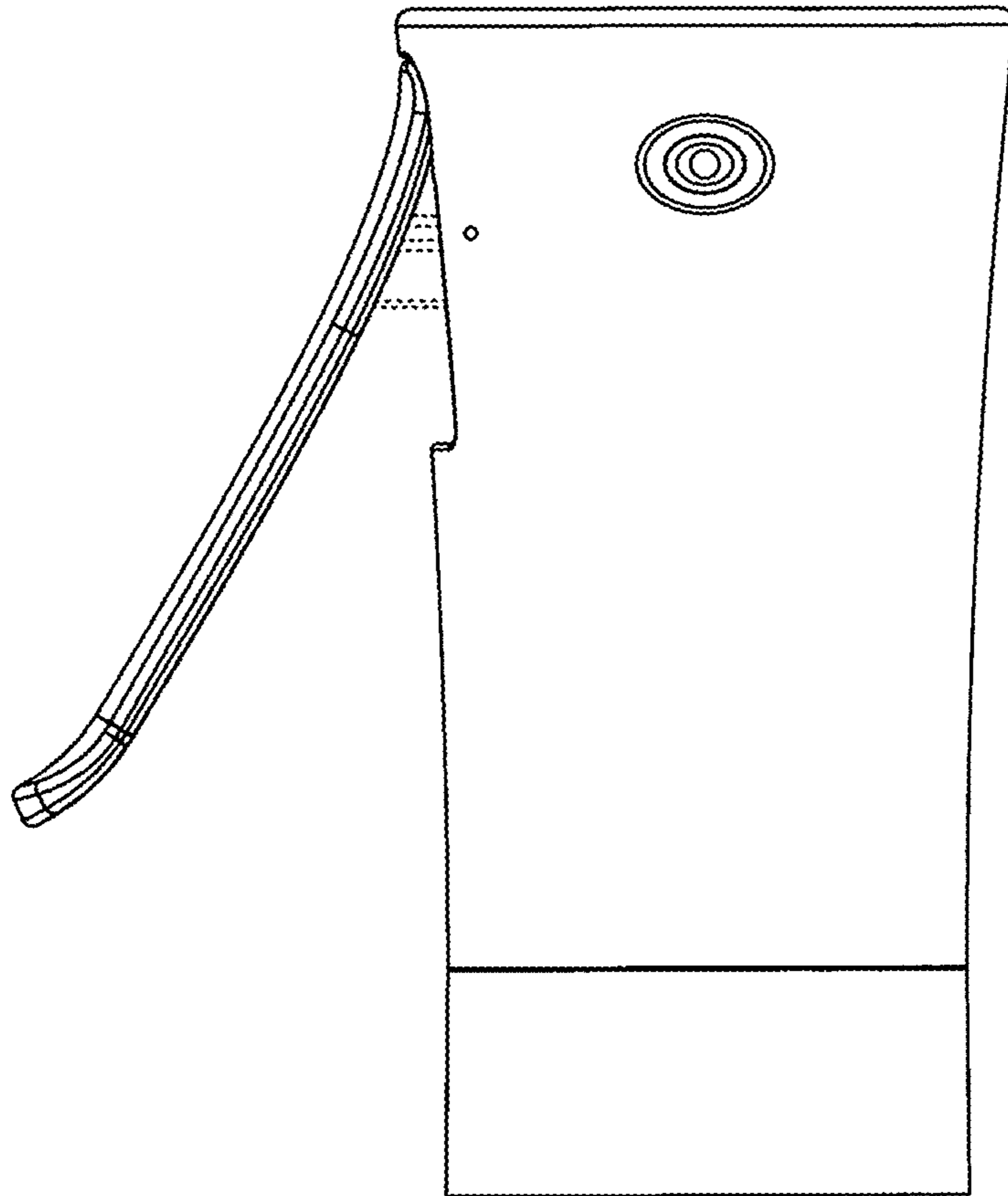


FIG. 3

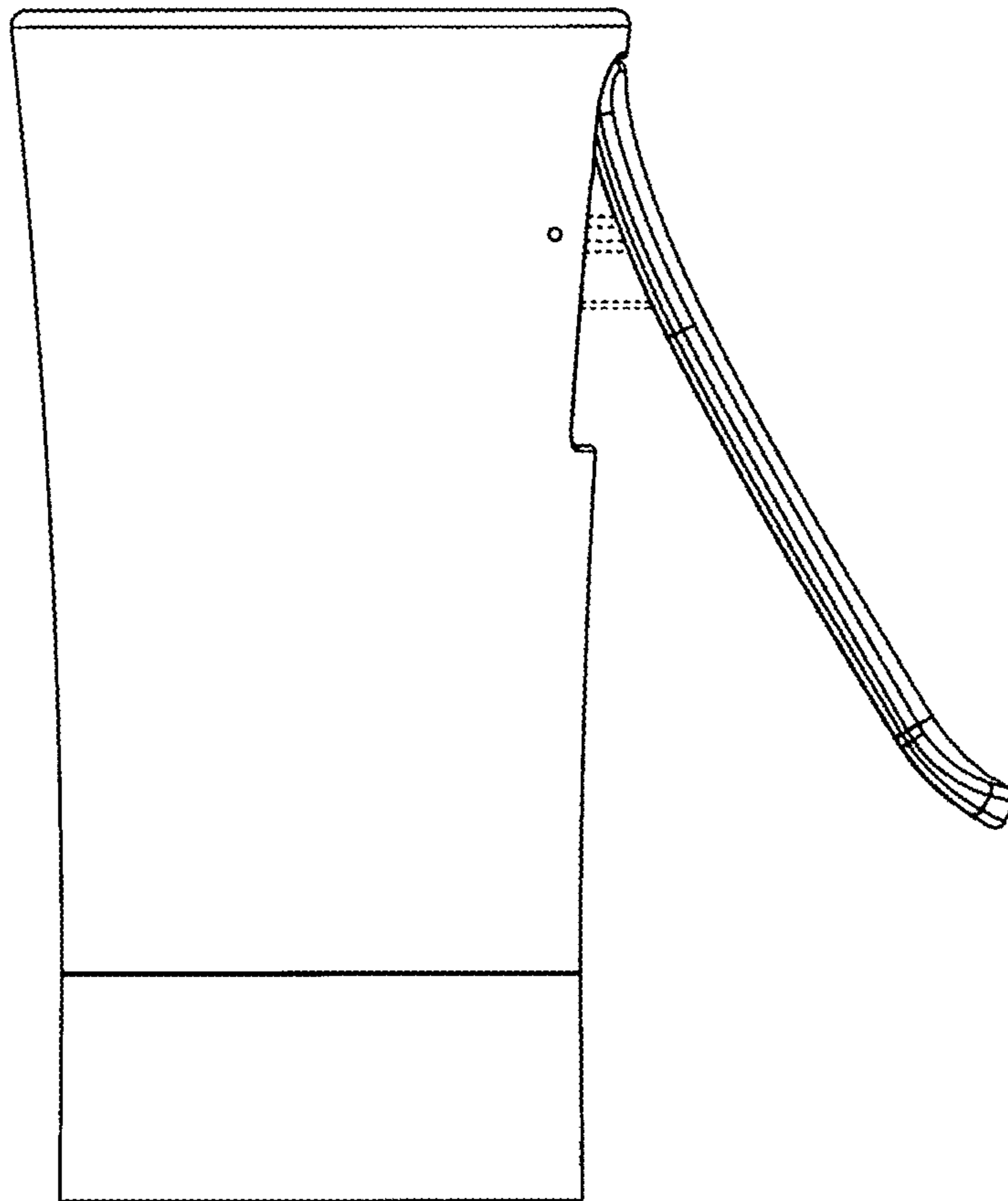


FIG. 4

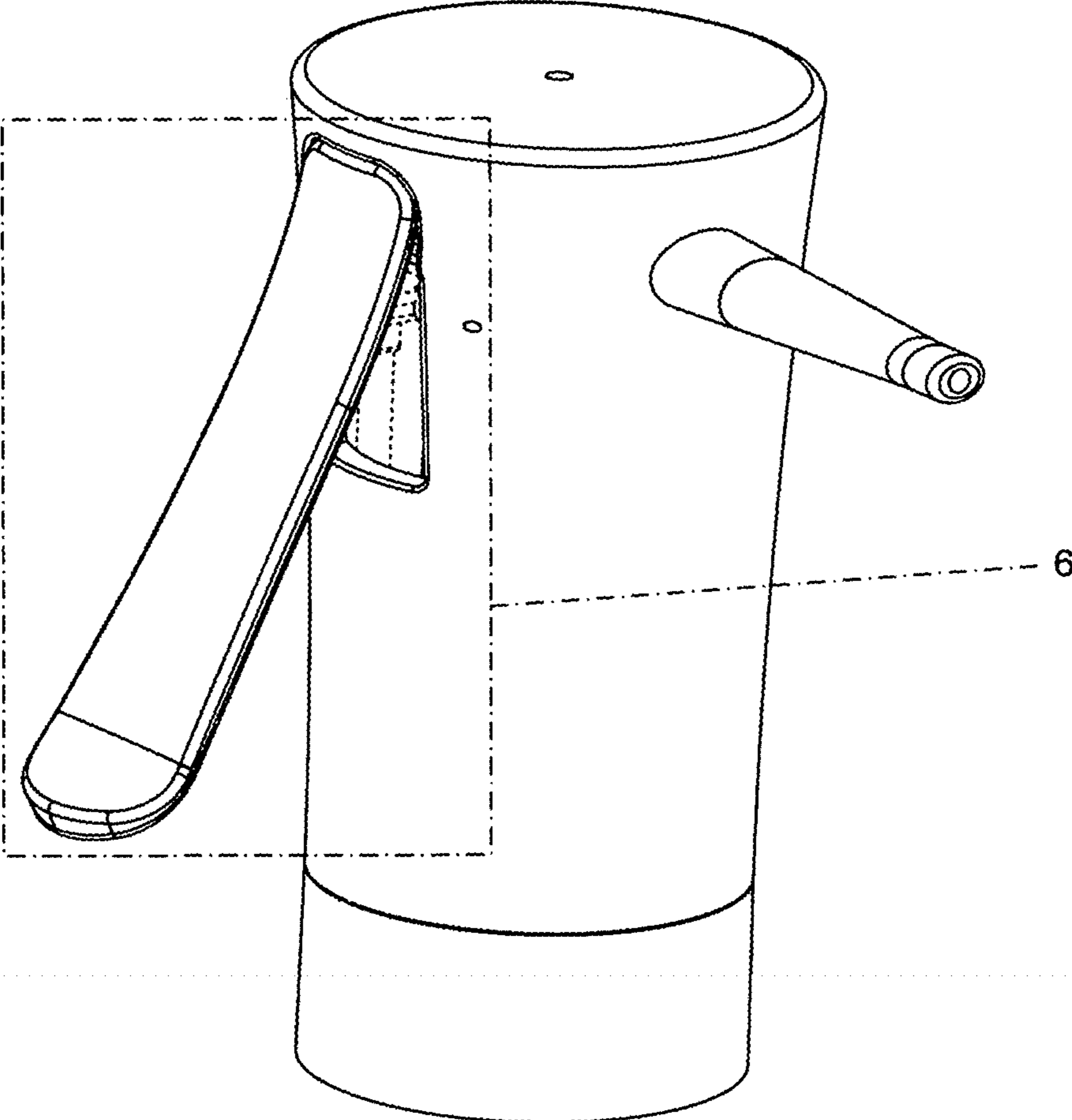


FIG. 5

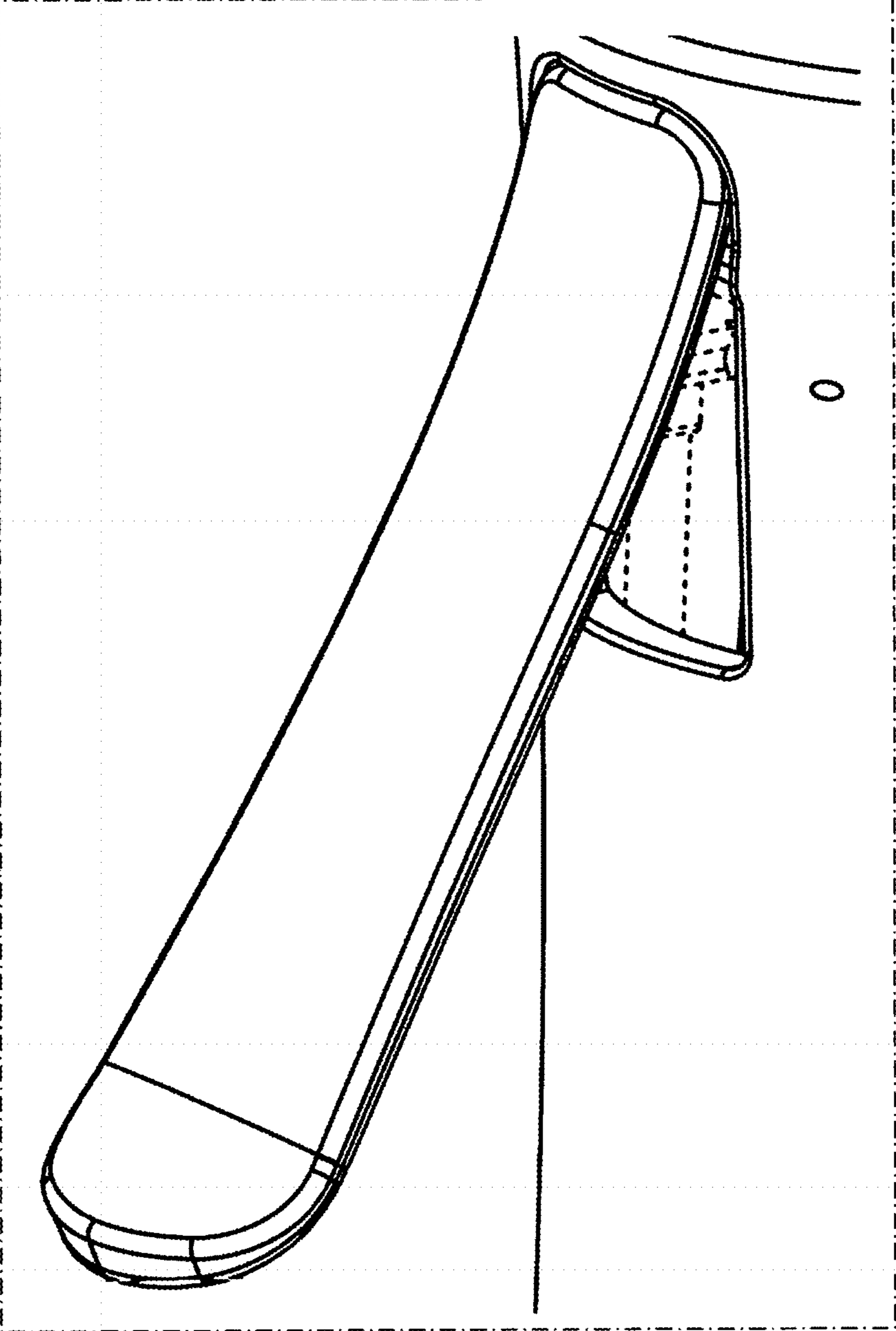


FIG. 6