



US00D811228S

(12) **United States Design Patent**
Conway et al.

(10) **Patent No.:** **US D811,228 S**
(45) **Date of Patent:** **** Feb. 27, 2018**

(54) **BOTTLE**

FOREIGN PATENT DOCUMENTS

(71) Applicant: **S.C. Johnson & Son, Inc.**, Racine, WI (US)

EP 0341957 A2 12/1989
EP 0674948 A1 10/1995

(Continued)

(72) Inventors: **Simon M. Conway**, Burlington, WI (US); **Linda J. Babinski**, Kenosha, WI (US); **Kate Schreiber**, Milwaukee, WI (US); **Robert T. Wosewick**, Shorewood, WI (US); **Aaron Eiger**, Chicago, IL (US); **Evan P. Thompson**, Oak Park, IL (US); **Timothy J. Payne**, Chicago, IL (US)

OTHER PUBLICATIONS

Product Information: Genuine US Military Issue 1 Quart, 3 Piece Plastic Canteen, NSN 8465-00-889-3744, www.bestglide.com/military_canteen.html, accessed Feb. 5, 2013, 2 pages.

Primary Examiner — Catherine A Tuttle

(73) Assignee: **S.C. Johnson & Son, Inc.**, Racine, WI (US)

(57) **CLAIM**

The ornamental design for a bottle, as shown and described.

(**) Term: **15 Years**

(21) Appl. No.: **29/586,615**

DESCRIPTION

(22) Filed: **Dec. 6, 2016**

Related U.S. Application Data

(62) Division of application No. 29/531,106, filed on Jun. 23, 2015, now Pat. No. Des. 778,159, which is a (Continued)

(51) **LOC (11) Cl.** **09-01**

(52) **U.S. Cl.**
USPC **D9/522**

(58) **Field of Classification Search**
USPC D9/682, 684, 685, 687, 693, 715, 719, D9/722, 737, 738, 739, 751-754, 501, (Continued)

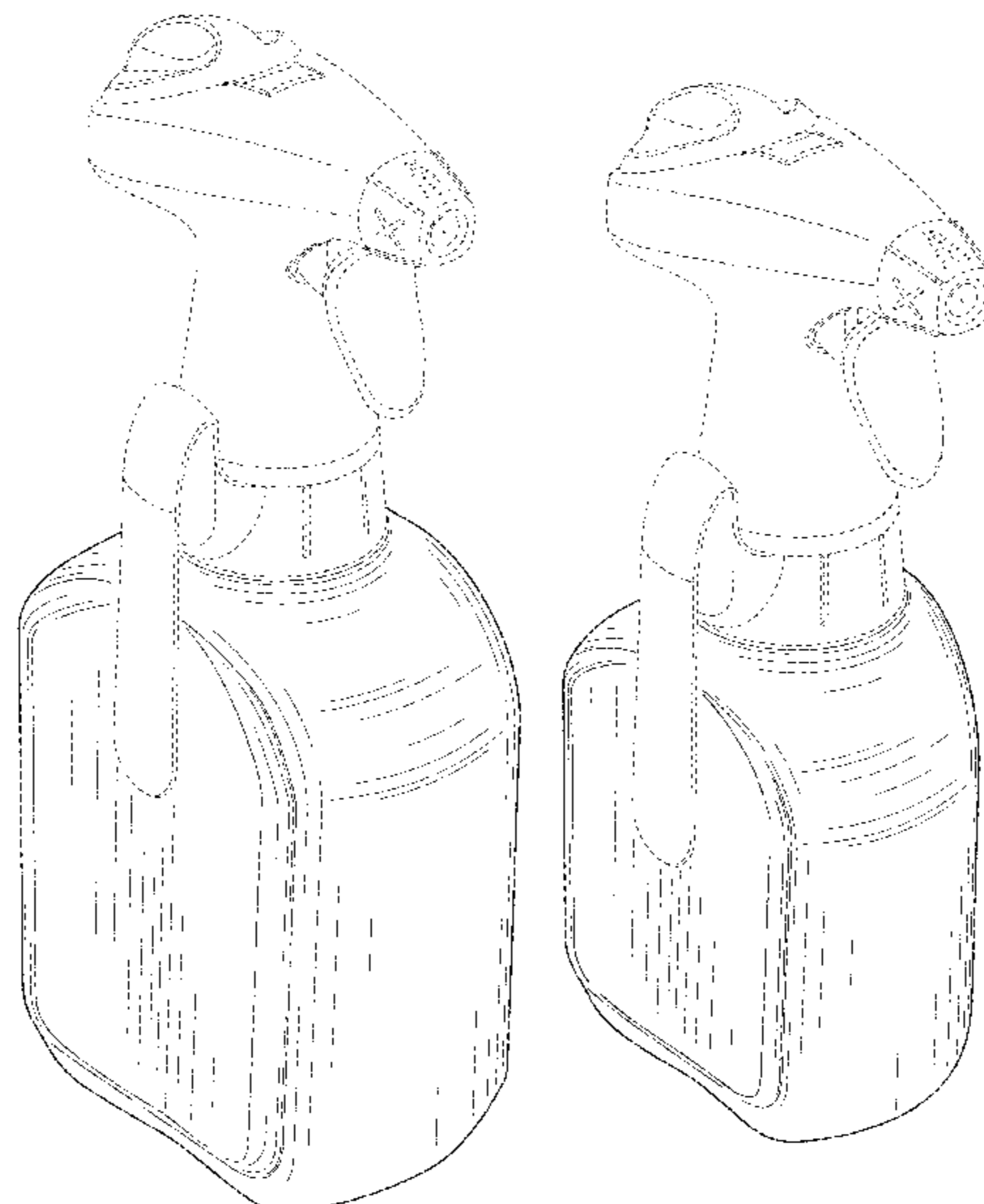
FIG. 1 is an isometric view of the bottle showing our new design;
FIG. 2 is a front elevational view thereof;
FIG. 3 is a rear elevational view thereof;
FIG. 4 is a left side elevational view thereof;
FIG. 5 is a right side elevational view thereof;
FIG. 6 is a top plan view thereof;
FIG. 7 is a bottom plan view thereof;
FIG. 8 is an isometric view of another embodiment of the bottle showing our new design;
FIG. 9 is a front elevational view thereof;
FIG. 10 is a rear elevational view thereof;
FIG. 11 is a left side elevational view thereof;
FIG. 12 is a right side elevational view thereof;
FIG. 13 is a top plan view thereof; and,
FIG. 14 is a bottom plan view thereof.
The dashed lines are included for the purpose of illustrating portions of the bottle that form no part of the claimed design. FIGS. 7 and 14 form no part of the claimed design.

(56) **References Cited**

U.S. PATENT DOCUMENTS

D53,666 S 7/1919 Schwidetzky
D92,491 S 6/1934 Ratner
(Continued)

1 Claim, 12 Drawing Sheets



Related U.S. Application Data

division of application No. 29/472,849, filed on Nov. 15, 2013, now Pat. No. Des. 735,051.

(58) **Field of Classification Search**

USPC D9/516, 517, 520, 522, 526, 530, 531, D9/534, 543, 544, 563, 571-575, D9/434-436, 443, 447, 448
 CPC . B05B 11/001; B05B 11/007; B05B 11/0005; B05B 11/0037; B05B 11/0078; B05B 11/0097; B05B 11/3002; B05B 11/3009; B05B 11/3011; B05B 11/3012; B05B 11/3014; B05B 11/3015; B05B 11/3029; B05B 11/303; B05B 11/3032; B05B 11/3043; B05B 11/3045-11/3047; B05B 11/3049; B05B 11/3056; B05B 11/3057; B05B 11/3059; B05B 9/085; B05B 9/0861; B05B 9/0888; B05B 15/06; B05B 15/061; B65D 1/0223; B65D 1/40; B65D 23/001; B65D 23/003; B65D 83/14; B65D 83/201; B65D 83/202; B65D 83/203; B65D 83/205; B65D 83/206; B65D 83/285; B65D 83/30; B65D 83/38; B65D 83/388; B65D 23/102; B65D 1/0261; B65D 1/06; B65D 2501/0063; B65D 2501/0072; B65D 2501/0081

See application file for complete search history.

(56) **References Cited**

U.S. PATENT DOCUMENTS

3,160,304 A 12/1964 Peacock
 D200,609 S 3/1965 Fahlstrom
 D210,501 S 3/1968 Brammer
 3,450,313 A 6/1969 Jonas
 D219,301 S 11/1970 Kazaz
 3,599,684 A 8/1971 Ellas
 D254,596 S 4/1980 Spigelman
 D259,467 S 6/1981 Halbeisen et al.
 4,275,820 A 6/1981 LeBlond
 4,618,076 A 10/1986 Silvenis
 D289,498 S 4/1987 Simonetti et al.
 D304,014 S 10/1989 O'Connell
 D309,876 S 8/1990 Mesnard
 5,108,524 A 4/1992 Balderrama
 5,215,227 A 6/1993 Farner
 D340,864 S 11/1993 De Rothschild et al.
 D373,955 S 9/1996 Boxer
 5,628,432 A 5/1997 Mosley
 D385,492 S 10/1997 Foster
 5,704,521 A 1/1998 Grogan et al.
 5,740,948 A 4/1998 Chu et al.
 D394,007 S 5/1998 Foster
 5,749,501 A 5/1998 Maas
 5,816,631 A 10/1998 Kochan
 5,964,377 A 10/1999 Demarest
 D435,792 S 1/2001 Peloquin
 D450,592 S 11/2001 Guseo
 6,345,738 B1 2/2002 Brozell et al.

6,398,132 B1 6/2002 Junkel et al.
 6,412,523 B2 7/2002 Brozell et al.
 D462,608 S 9/2002 Sweeton
 D468,194 S 1/2003 Siebert et al.
 6,595,248 B1 7/2003 Brozell et al.
 6,820,287 B2 * 11/2004 Harbutt E03D 9/037
 222/57
 D508,200 S 8/2005 Cagle
 6,964,345 B2 11/2005 Wetherell, Jr. et al.
 6,981,658 B2 1/2006 Streutker et al.
 D515,929 S 2/2006 Steih et al.
 D516,435 S 3/2006 Barraclough
 D519,371 S 4/2006 Hornsby et al.
 7,032,841 B1 4/2006 Swisher
 D519,836 S 5/2006 Swisher
 7,047,601 B1 5/2006 Vernon-Woods
 7,178,698 B2 2/2007 Larsen et al.
 D541,655 S 5/2007 Alluigi
 D557,143 S 12/2007 Batliner
 7,303,150 B2 12/2007 Hildebrand
 D573,467 S 7/2008 Dell'Orto
 D581,805 S 12/2008 Suxdorf
 D582,771 S 12/2008 Cantoni
 D583,677 S 12/2008 Harrison et al.
 D584,617 S 1/2009 Harrison et al.
 D590,721 S 4/2009 Martinez De San Vicente
 D601,897 S 10/2009 Contiero
 D614,957 S 5/2010 Schaeffer
 7,757,908 B1 7/2010 Barry
 D624,434 S 9/2010 Schaeffer et al.
 D626,845 S 11/2010 De Haan
 7,906,473 B2 3/2011 Williams et al.
 D642,923 S 8/2011 Newton
 D649,458 S 11/2011 Neumann
 D653,110 S 1/2012 Sweeton
 D653,540 S 2/2012 Sweeton
 D653,541 S 2/2012 Foster et al.
 D654,371 S 2/2012 Geeraert et al.
 D664,431 S 7/2012 Wang
 D669,364 S 10/2012 Schaeffer et al.
 8,322,576 B2 12/2012 Gioia
 D674,706 S 1/2013 Birdwell et al.
 8,844,584 B1 9/2014 Haley
 D730,732 S 6/2015 Sweeton
 D735,051 S * 7/2015 Conway D9/522
 D778,159 S * 2/2017 Conway D9/448
 2002/0020720 A1 2/2002 Schmid et al.
 2004/0020950 A1 * 2/2004 Overbay A45F 3/18
 224/148.7
 2008/0047977 A1 2/2008 Larsen et al.
 2008/0264940 A1 10/2008 Crooks
 2008/0302827 A1 12/2008 Gerrish et al.
 2010/0096414 A1 4/2010 Dennis
 2010/0108857 A1 5/2010 Andrae
 2014/0346193 A1 11/2014 Conway

FOREIGN PATENT DOCUMENTS

EP 1134030 A2 9/2001
 GB 2310149 A 8/1997
 JP 11019551 A 1/1999
 WO 2008133687 A1 11/2008

* cited by examiner

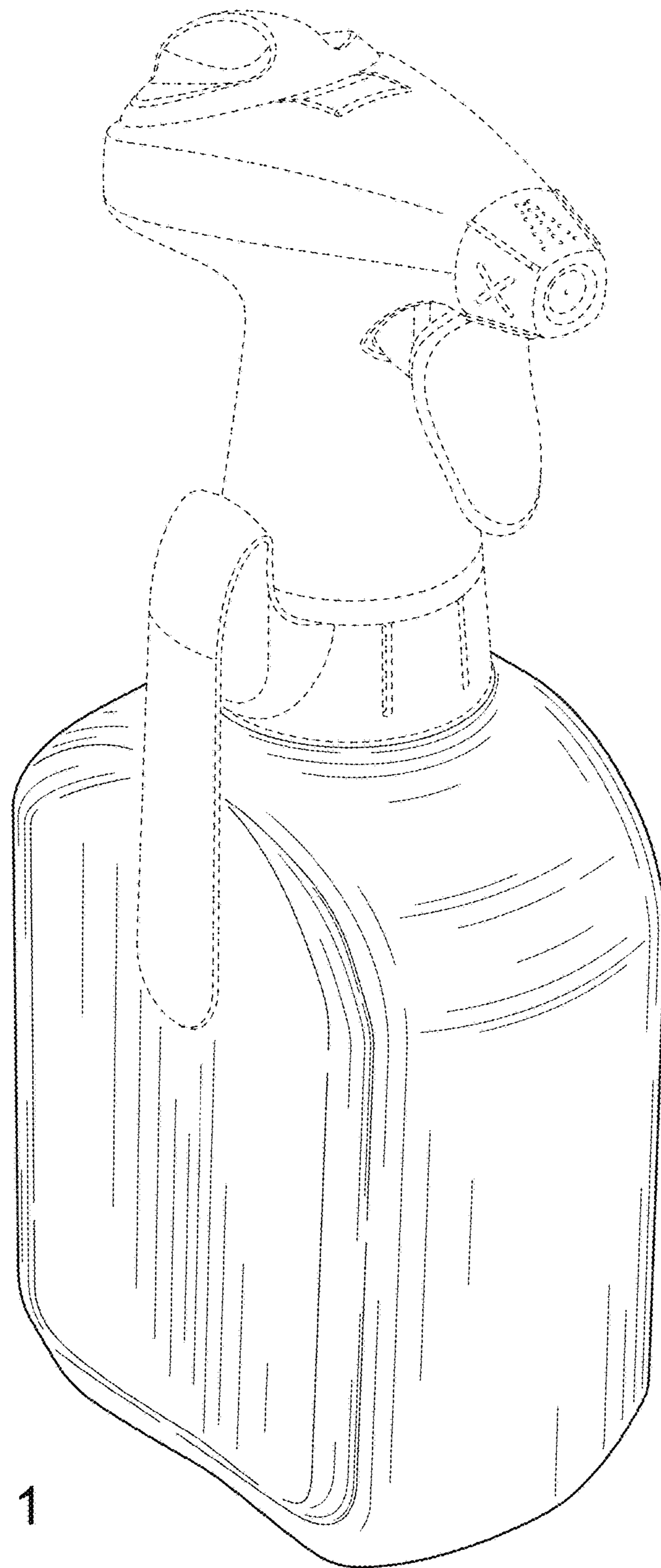


FIG. 1

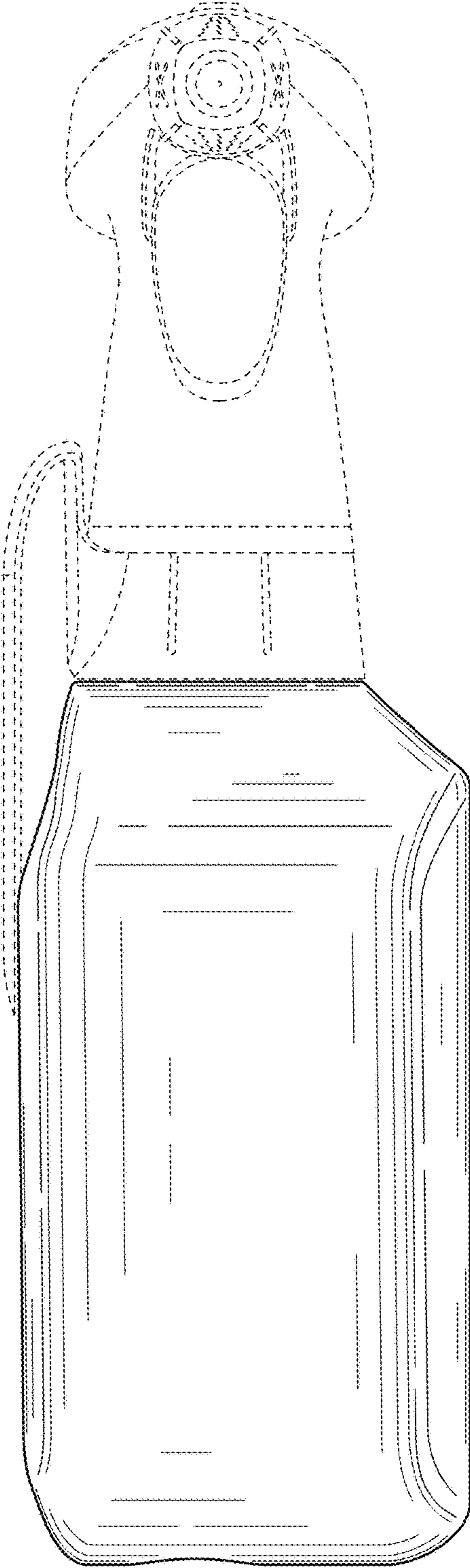


FIG. 2

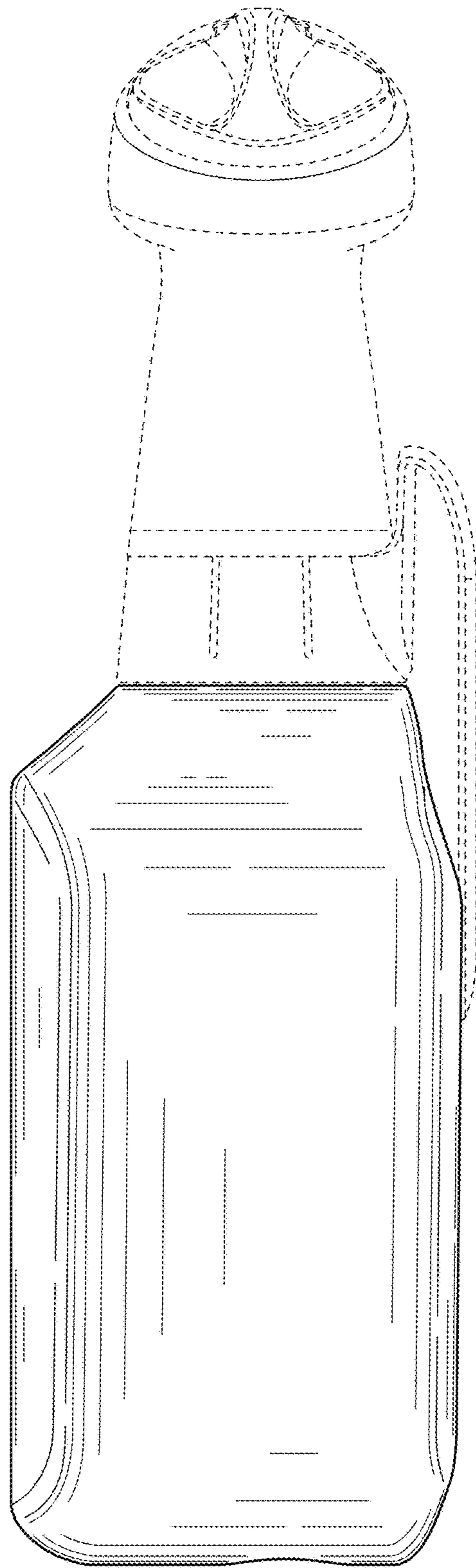


FIG. 3

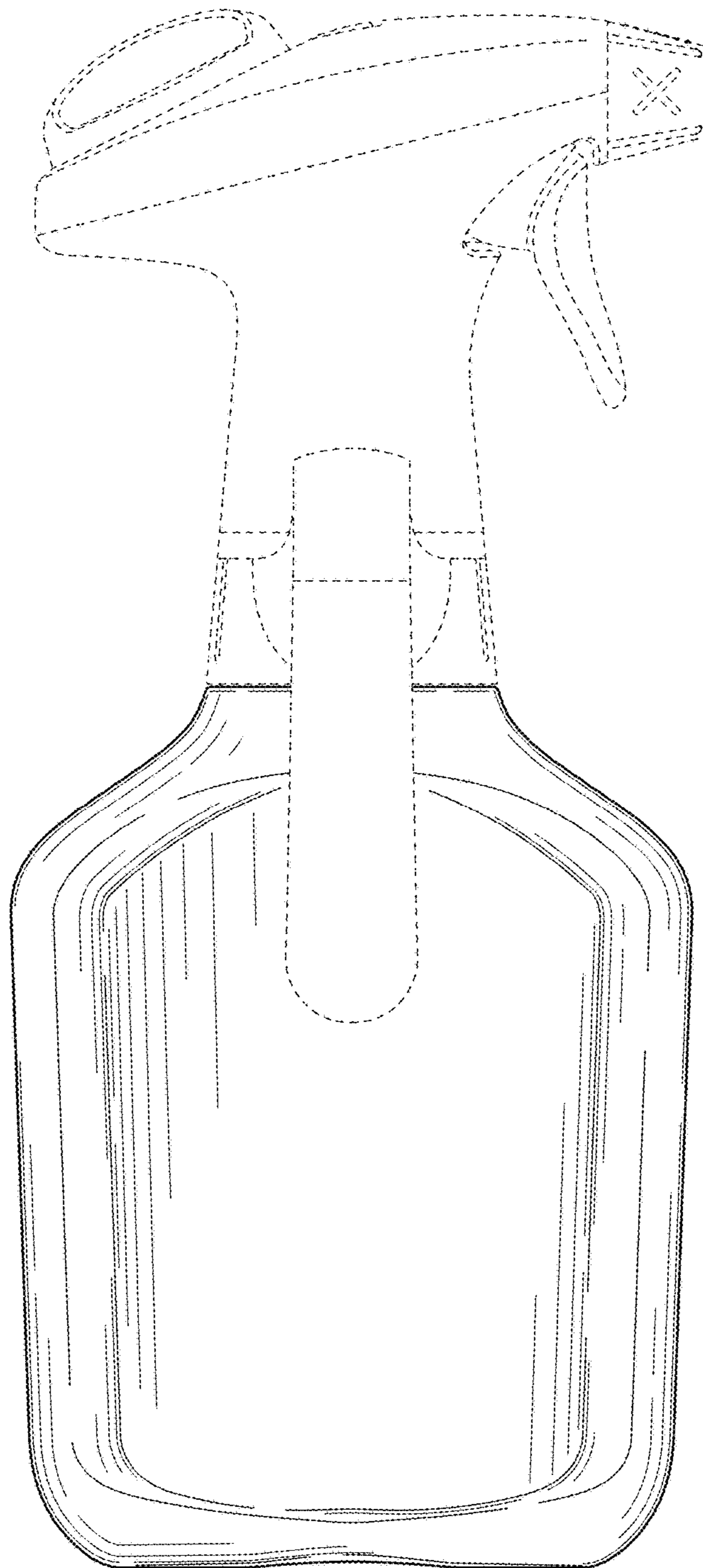


FIG. 4

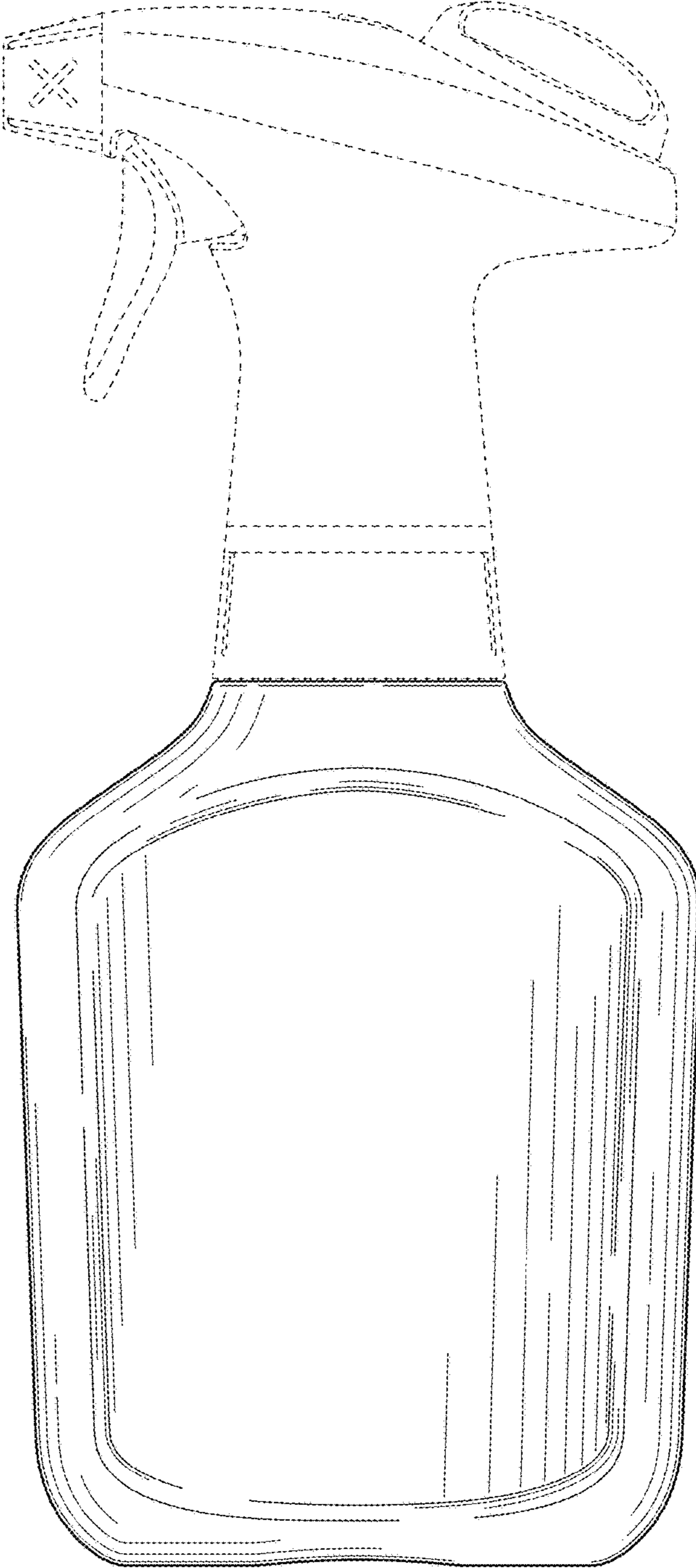


FIG. 5

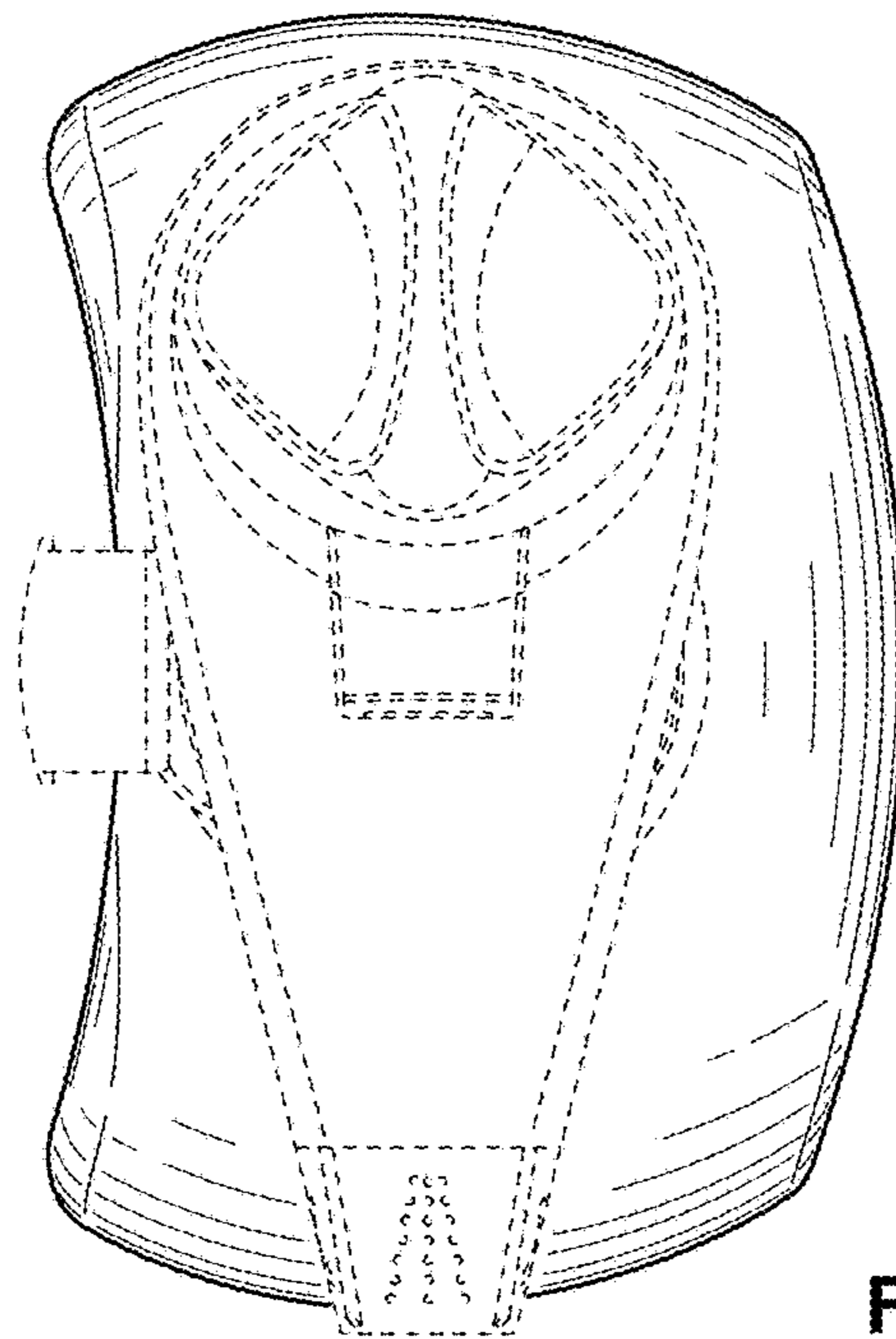


FIG. 6

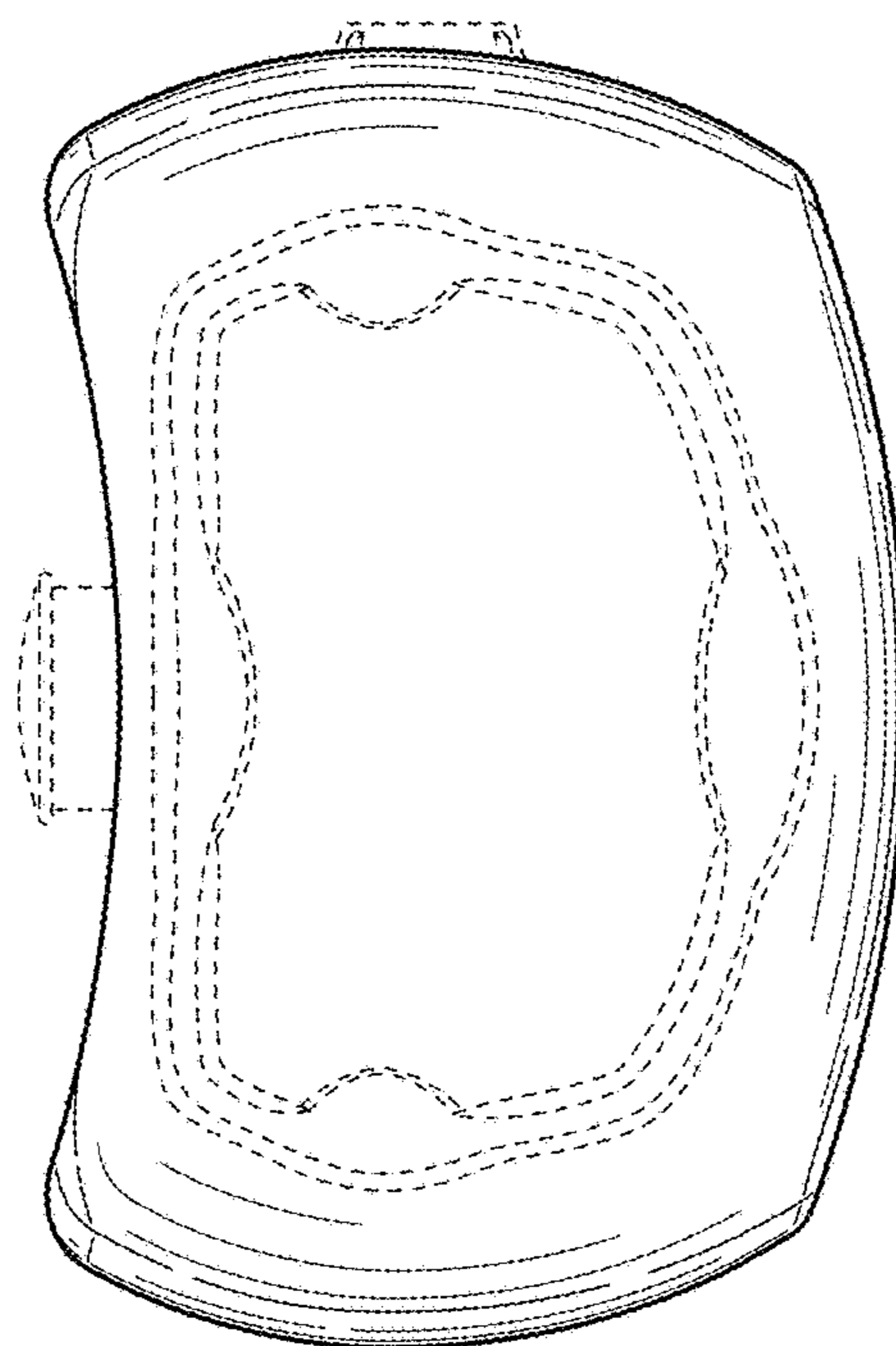


FIG. 7

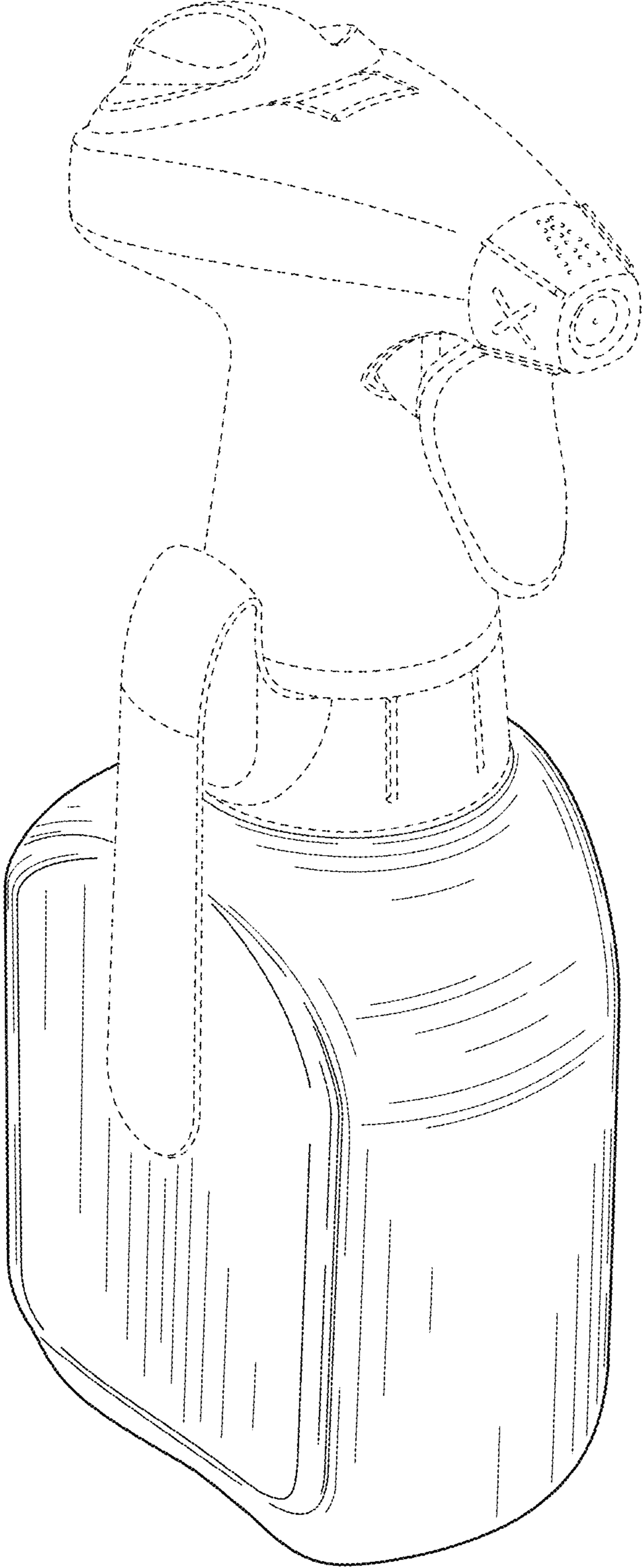


FIG. 8

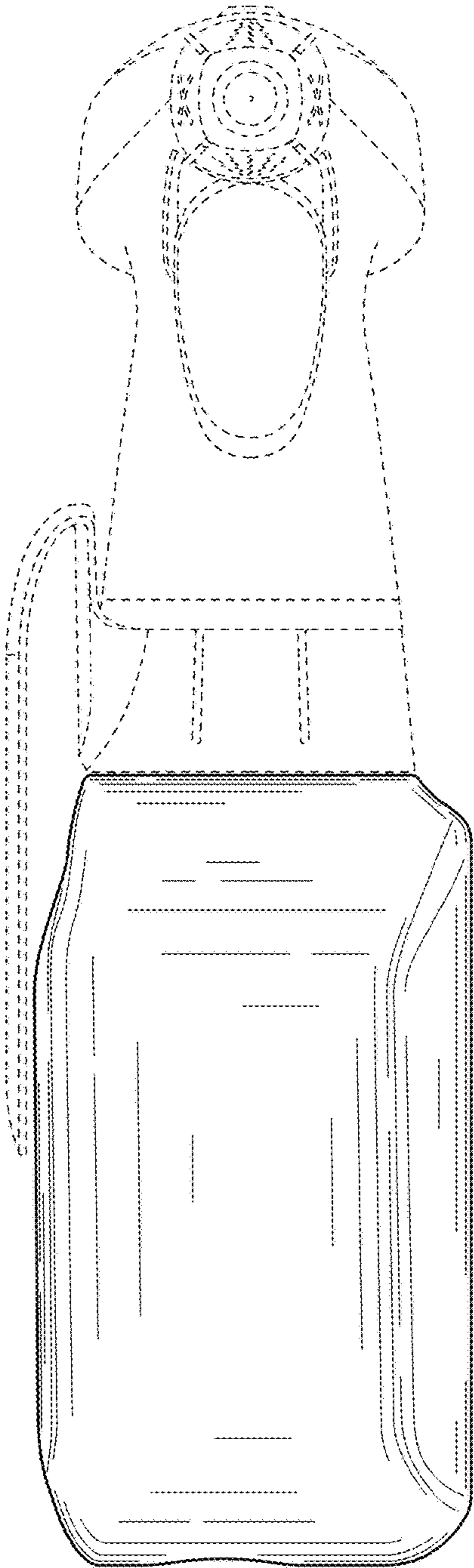


FIG. 9

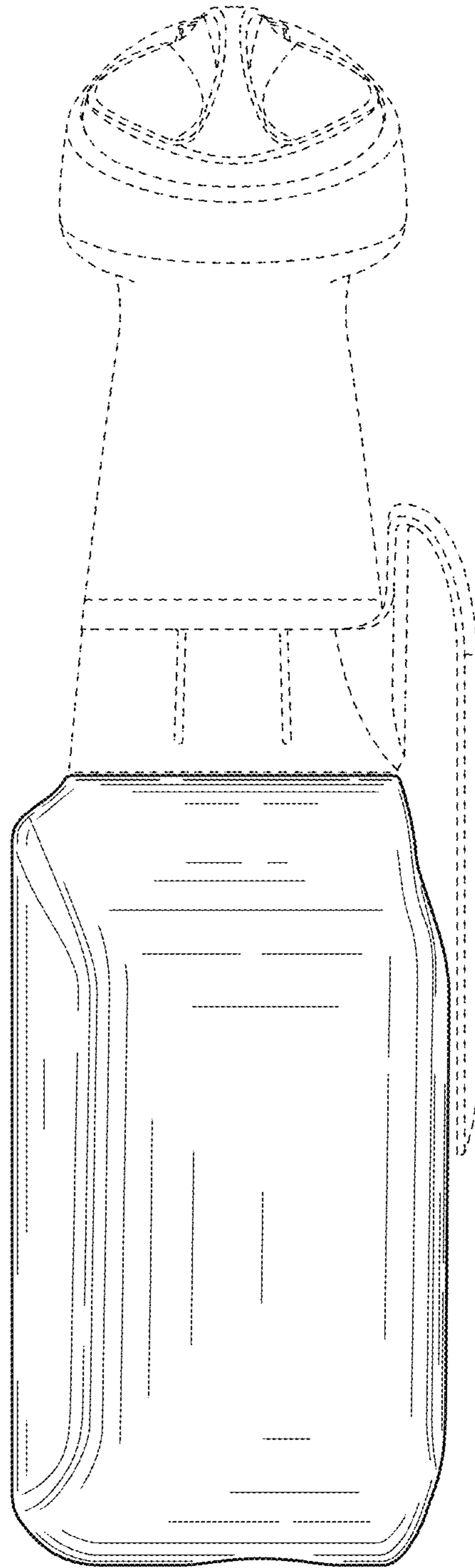


FIG. 10

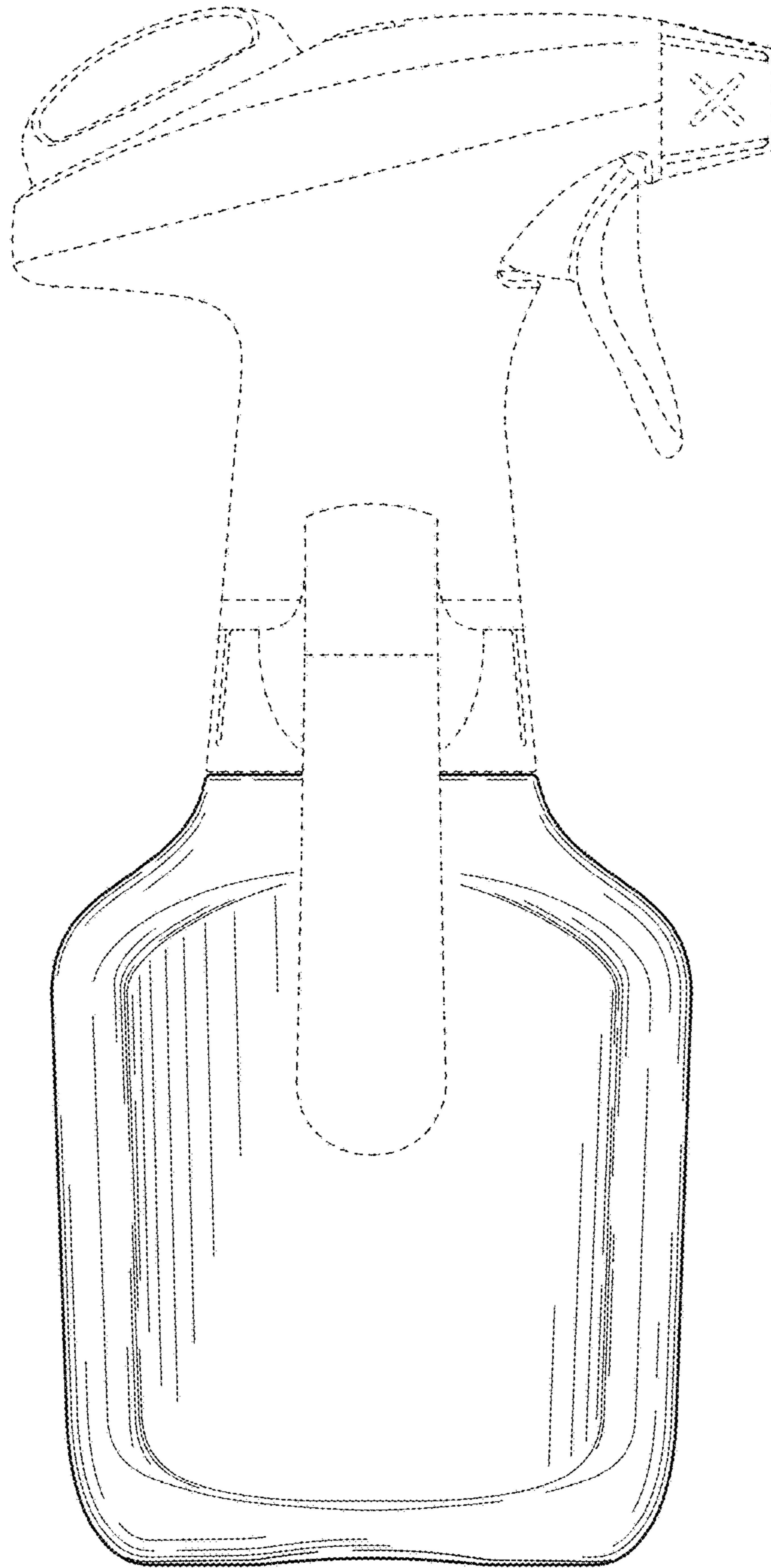


FIG. 11

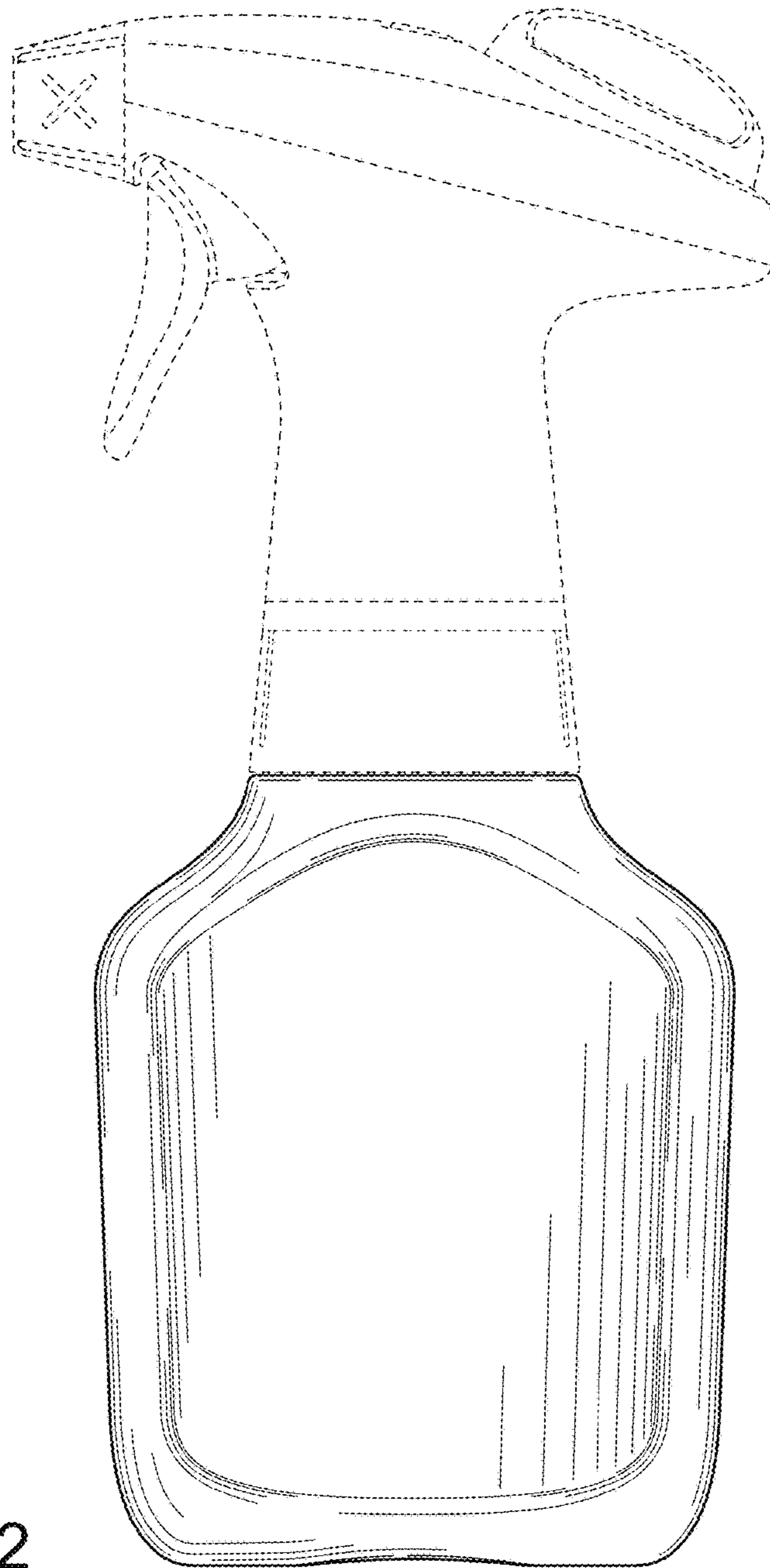


FIG. 12

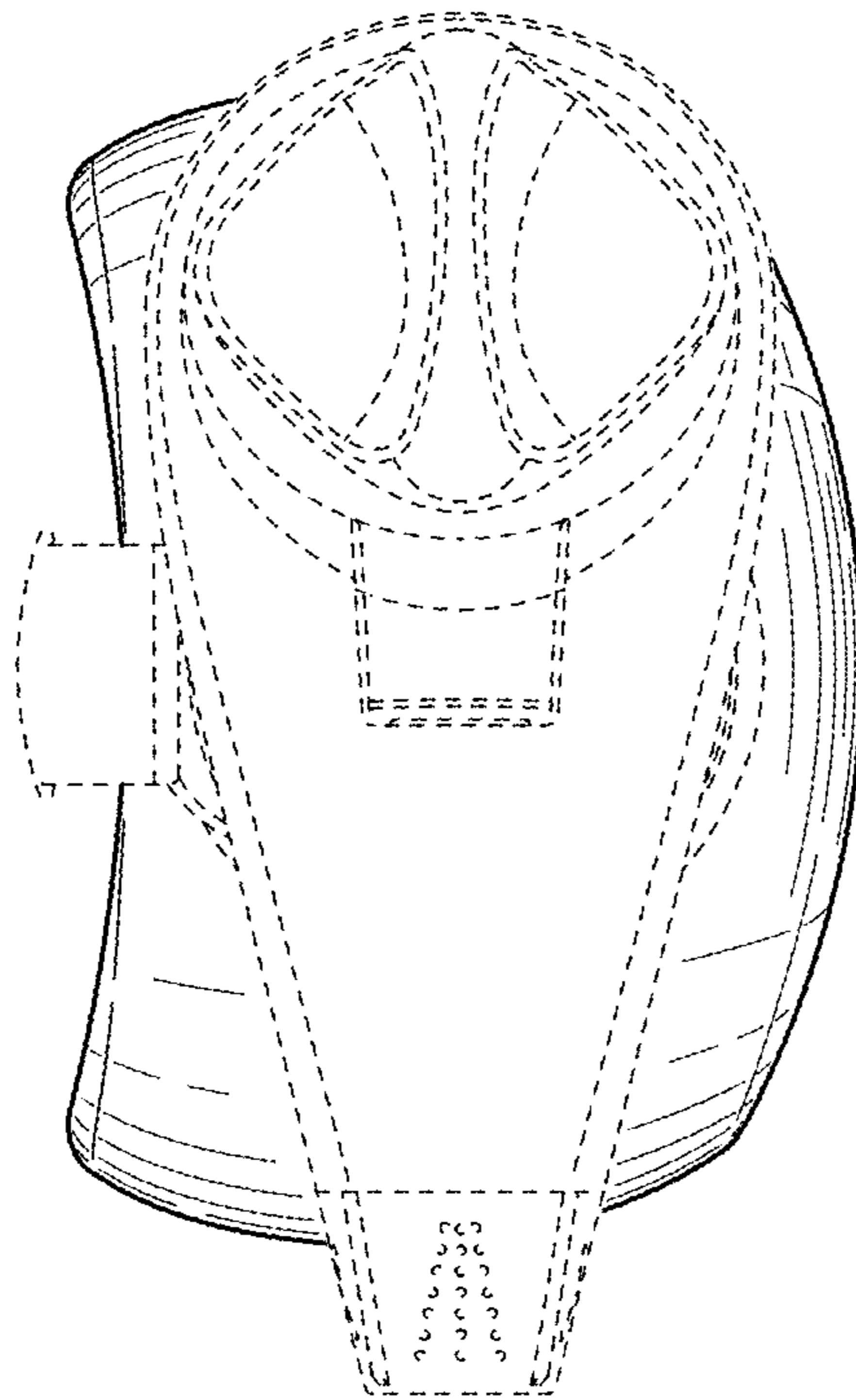


FIG. 13

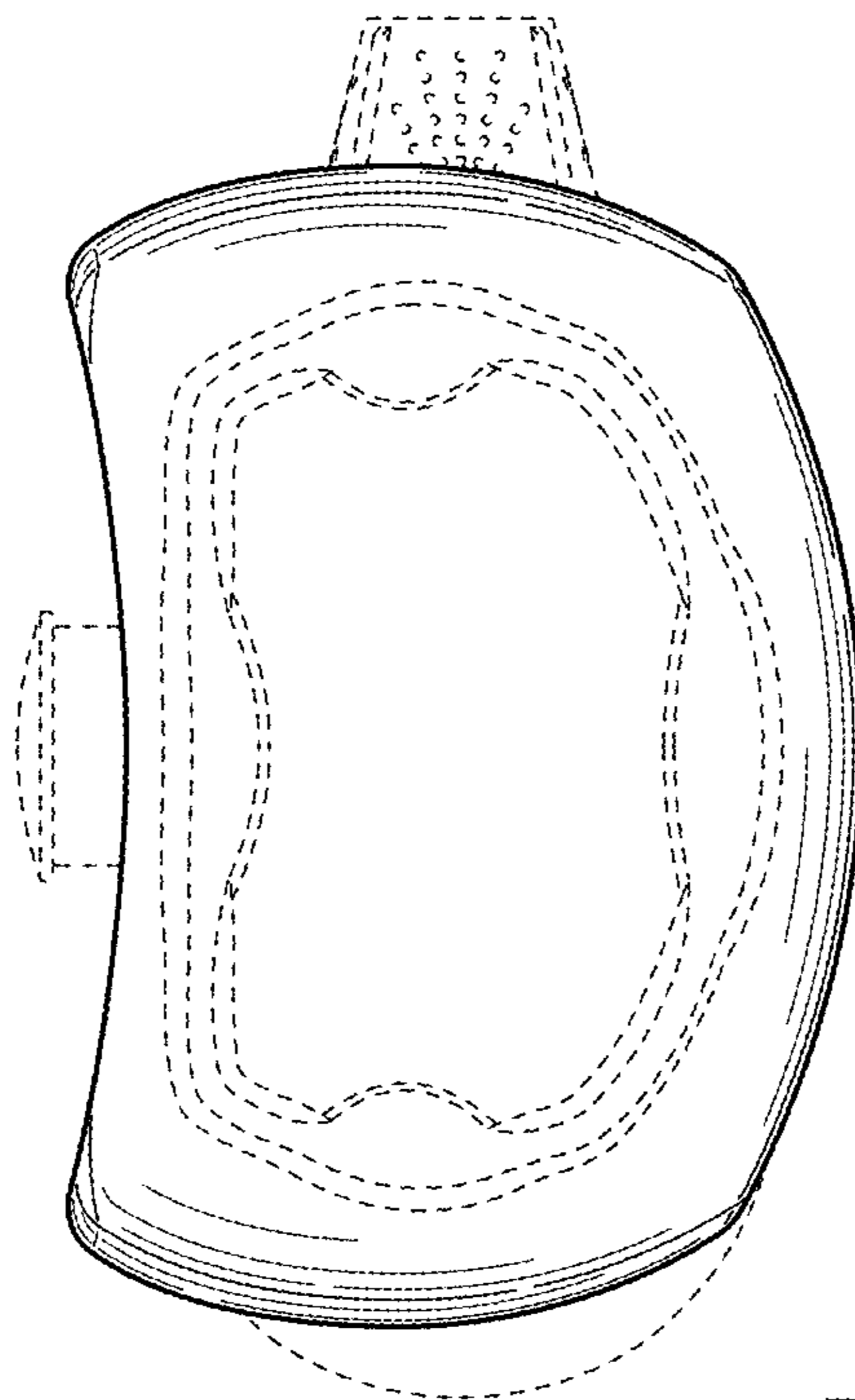


FIG. 14