



US00D811224S

(12) **United States Design Patent** (10) **Patent No.:** **US D811,224 S**
Bae (45) **Date of Patent:** **** Feb. 27, 2018**

(54) **COSMETIC CREAM CONTAINER**

(71) Applicant: **Taesung Industrial Co., Ltd.**,
Anyang-si, Gyeonggi-do (KR)

(72) Inventor: **Hae Dong Bae**, Seongnam-si (KR)

(73) Assignee: **Taesung Industrial Co., Ltd.**,
Anyang-si (KR)

D290,208 S * 6/1987 Hlava D7/523
D368,858 S * 4/1996 Ricci D9/501
D509,993 S * 9/2005 Lambert D7/524
D545,005 S * 6/2007 Nysten D30/125
D655,985 S * 3/2012 Roberts D7/524
D662,779 S * 7/2012 Dail D7/524
D731,239 S * 6/2015 Rothfield D7/392.1
D780,519 S * 3/2017 Karussi B29C 45/2618
D7/524

(Continued)

(**) Term: **15 Years**

(21) Appl. No.: **29/563,808**

(22) Filed: **May 9, 2016**

(30) **Foreign Application Priority Data**

Mar. 4, 2016 (KR) 30-2016-0010062

(51) **LOC (11) Cl.** **09-01**

(52) **U.S. Cl.**
USPC **D9/504; D9/549; D9/454; D28/87**

(58) **Field of Classification Search**
USPC D9/500-504, 505, 516, 519-521, 529,
D9/549, 558, 682, 686, 688-691, 551,
D9/553, 556, 452-454, 772, 439, 642;
D28/4, 6, 76-79, 82, 87, 91; D7/602,
D7/537, 612, 615, 629; 215/379,
215/381-382; 220/660, 669-673, 675;
206/426

CPC ... B65D 1/00; B65D 1/02; B65D 1/07; B65D
1/0023; B65D 1/10; B65D 23/00; B65D
2501/00; B65D 2501/0009; B65D 33/00;
B65D 75/5872; B65D 85/505; F21V
35/00; F21L 25/00; A61L 9/12; A47G
19/2205; A47G 2400/045; A47G 7/07

See application file for complete search history.

(56) **References Cited**

U.S. PATENT DOCUMENTS

1,200,990 A * 10/1916 Rooney A47G 19/2205
215/374
3,608,766 A * 9/1971 D'Orefice A47G 19/2205
215/374

FOREIGN PATENT DOCUMENTS

CN 303994095 * 1/2017

OTHER PUBLICATIONS

Review: Labiotte Wine Lip Balm, post at thepointofvu.blogspot.com, posted Dec. 6, 2016, [online], [site visited Mar. 21, 2017]. Available from Internet, <<http://thepointofvu.blogspot.com/2016/12/labiotte-wine-lip-balm-review.html>>.*

(Continued)

Primary Examiner — Anhdao Doan

Assistant Examiner — Mary Malley

(74) *Attorney, Agent, or Firm* — Hauptman Ham, LLP

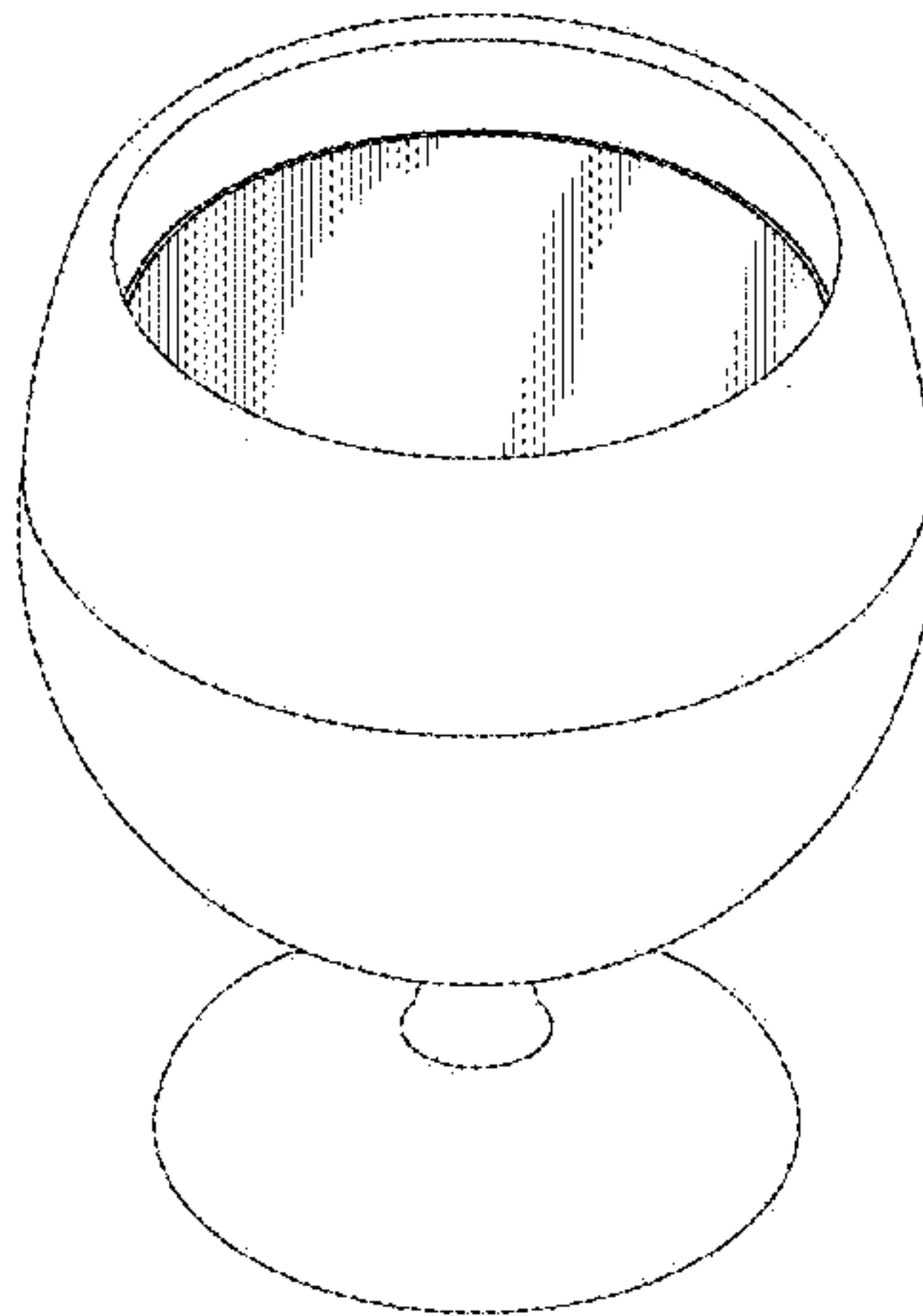
(57) **CLAIM**

I claim the ornamental design for the cosmetic cream container, as shown and described.

DESCRIPTION

FIG. 1 is a perspective view of the cosmetic cream container;
FIG. 2 is a front elevational view, the rear, left and right side elevational views being mirror images thereof;
FIG. 3 is a top plan view thereof;
FIG. 4 is a bottom plan view thereof; and,
FIG. 5 is a bottom perspective view thereof.

1 Claim, 5 Drawing Sheets



(56)

References Cited

U.S. PATENT DOCUMENTS

2005/0139570 A1* 6/2005 Lambert A47G 19/2205
215/223
2011/0303680 A1* 12/2011 Baratte A47G 19/2205
220/574
2012/0228313 A1* 9/2012 Wang B65D 23/02
220/670

OTHER PUBLICATIONS

Château Labiotte: Wine Lipstick, Lip Tint & Balm, posted at seoulsearching.net, posted Jul. 1, 2016, [online], [site visited Mar. 21, 2017]. Available from Internet, <<https://seoulsearching.net/2016/07/01/chateau-labiotte-wine-lipstick-lip-tint-balm/>>.*

* cited by examiner

FIG. 1

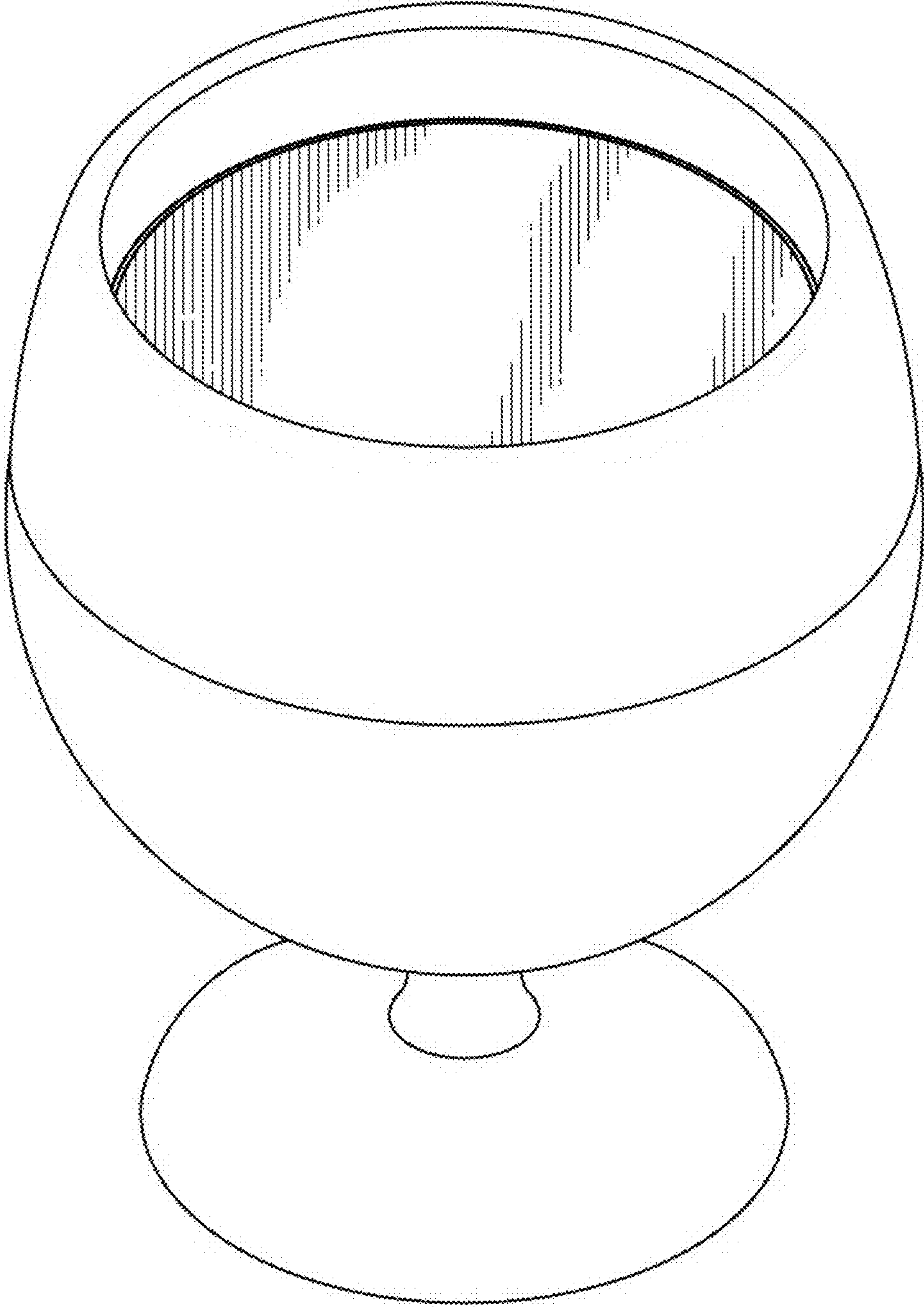


FIG. 2

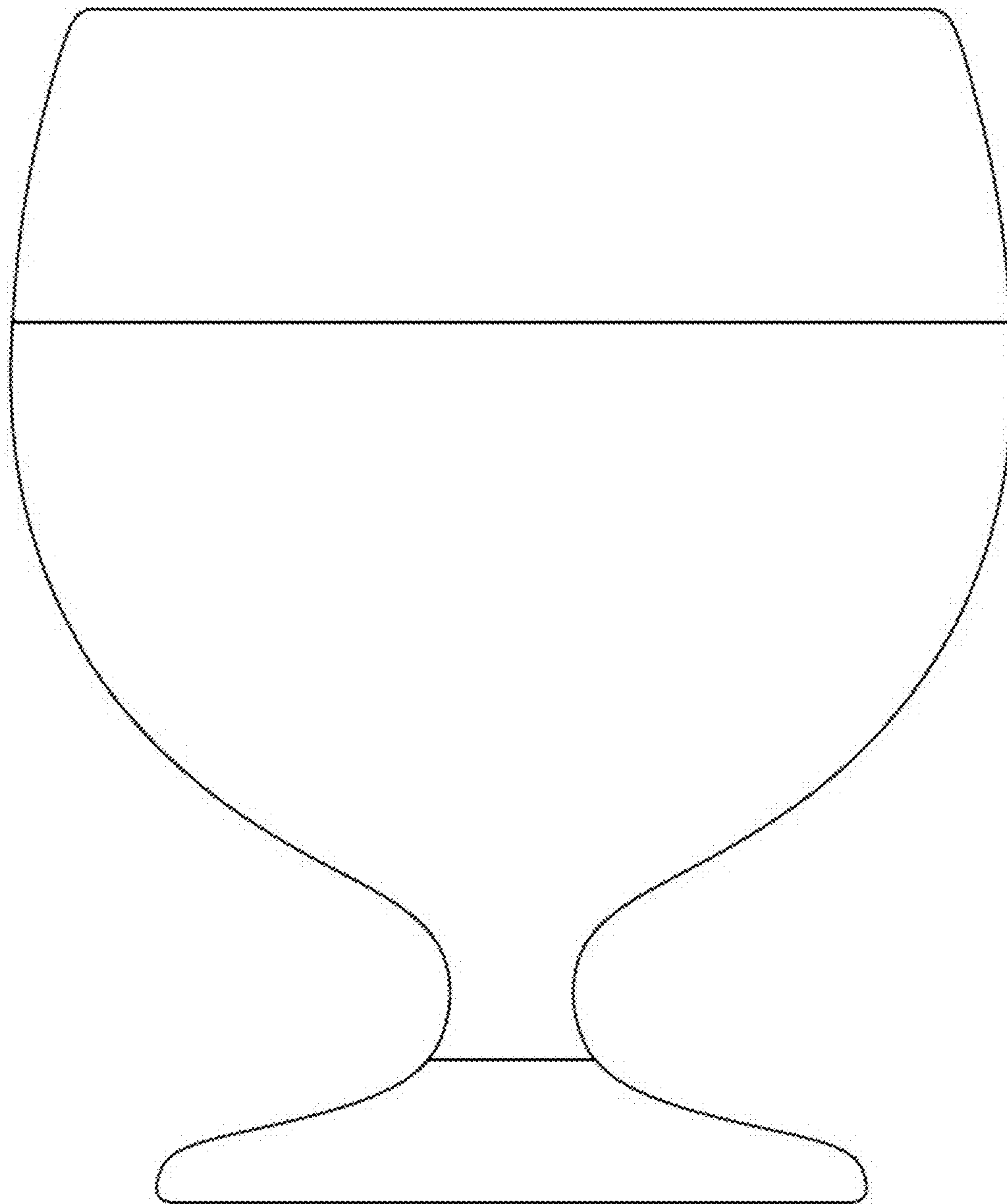


FIG. 3

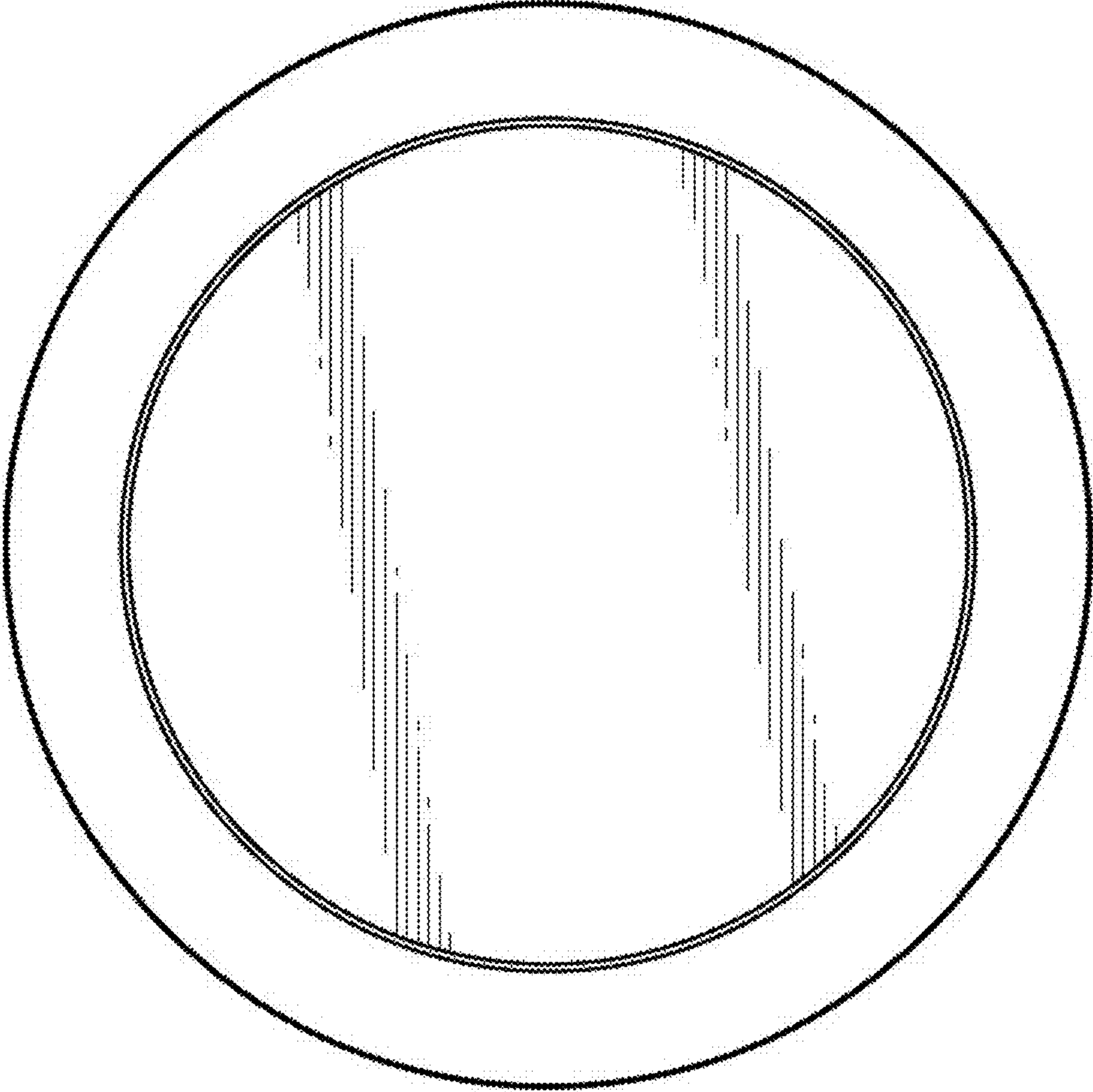


FIG. 4

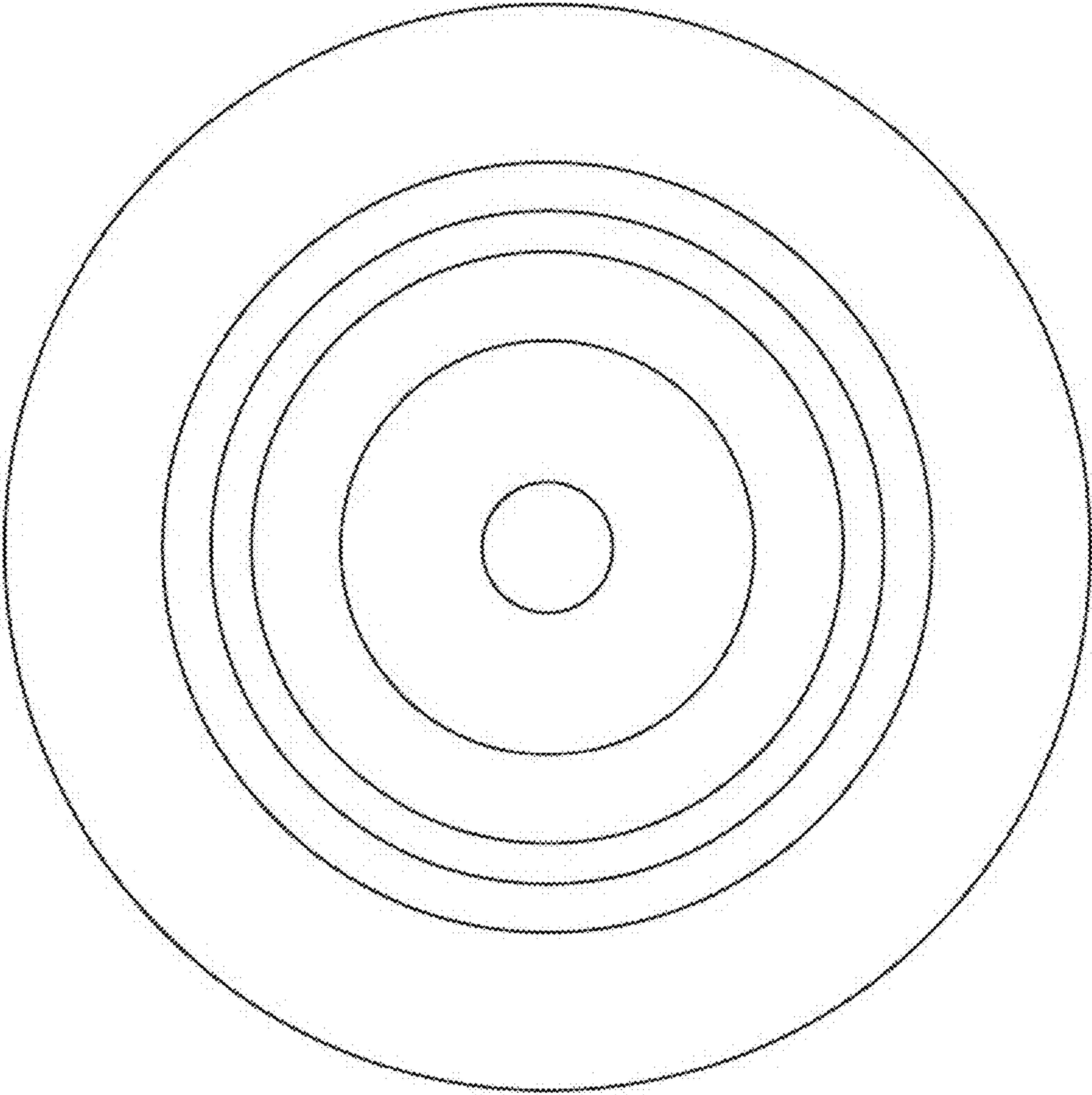


FIG. 5

