



US00D811220S

(12) **United States Design Patent** (10) **Patent No.:** **US D811,220 S**  
**Bohórquez Montenegro** (45) **Date of Patent:** **\*\* Feb. 27, 2018**

(54) **CLOSURE FOR A CONTAINER**  
(71) Applicant: **Andrés Fernando González Sierra**,  
Bogotá (CO)  
(72) Inventor: **Danny Bohórquez Montenegro**,  
Bogotá (CO)  
(73) Assignee: **Andres Fernando Gonzalez Sierra**,  
Bogota (CO)  
(\*\*) Term: **15 Years**  
(21) Appl. No.: **29/561,941**  
(22) Filed: **Apr. 21, 2016**  
(30) **Foreign Application Priority Data**

5,743,444 A \* 4/1998 Beck ..... B65D 47/242  
222/521  
D435,793 S \* 1/2001 Kreiseder ..... D9/443  
D472,144 S \* 3/2003 Hierzer ..... D9/435  
D480,305 S \* 10/2003 Nusbaum ..... D9/435  
D530,611 S \* 10/2006 Nusbaum ..... D9/446  
D540,677 S \* 4/2007 Stull ..... D9/447  
D548,081 S \* 8/2007 Noonan ..... D9/453  
D634,631 S \* 3/2011 Taylor ..... D9/447  
7,988,004 B1 \* 8/2011 Marret ..... B65D 47/242  
215/252  
D672,241 S \* 12/2012 Sawicki ..... D9/449  
D695,115 S \* 12/2013 Juna ..... D9/447  
D732,389 S \* 6/2015 Nickel ..... D9/453  
D755,632 S \* 5/2016 Jelich ..... D9/449  
D763,078 S \* 8/2016 Roy ..... D9/434

(Continued)

Oct. 22, 2015 (CO) ..... 15.252.316

(51) **LOC (11) Cl.** ..... **09-07**  
(52) **U.S. Cl.**  
USPC ..... **D9/453**  
(58) **Field of Classification Search**  
USPC ..... D9/428, 429, 434, 435, 442, 443,  
D9/445-450, 453-456, 499, 682, 684,  
D9/685, 726; D7/387, 388, 392, 392.1,  
D7/393, 396.2, 396.3, 396.4, 401.1, 408,  
D7/504, 507, 509-511, 538, 900;  
D3/202, 203.2, 318; D28/91.1  
CPC .. A61J 1/00; A61J 1/1412; B65D 1/00; B65D  
1/02; B65D 1/10; B65D 1/46; B65D  
2585/56; B65D 2585/545; B65D 41/00;  
B65D 41/38; B65D 41/56; B65D 41/62;  
B65D 47/00; B65D 47/06; B65D 47/08;  
B65D 2543/00046; B65D 2543/00092;  
B65D 2543/00296; B65D 5/46; B65D  
2251/00

See application file for complete search history.

(56) **References Cited**

**U.S. PATENT DOCUMENTS**

2,924,393 A \* 2/1960 Georges ..... B05B 11/00  
222/553  
D280,492 S \* 9/1985 Greaves ..... D9/453

*Primary Examiner* — Karen S Acker  
*Assistant Examiner* — Wendy Arminio  
(74) *Attorney, Agent, or Firm* — Schwabe, Williamson &  
Wyatt PC

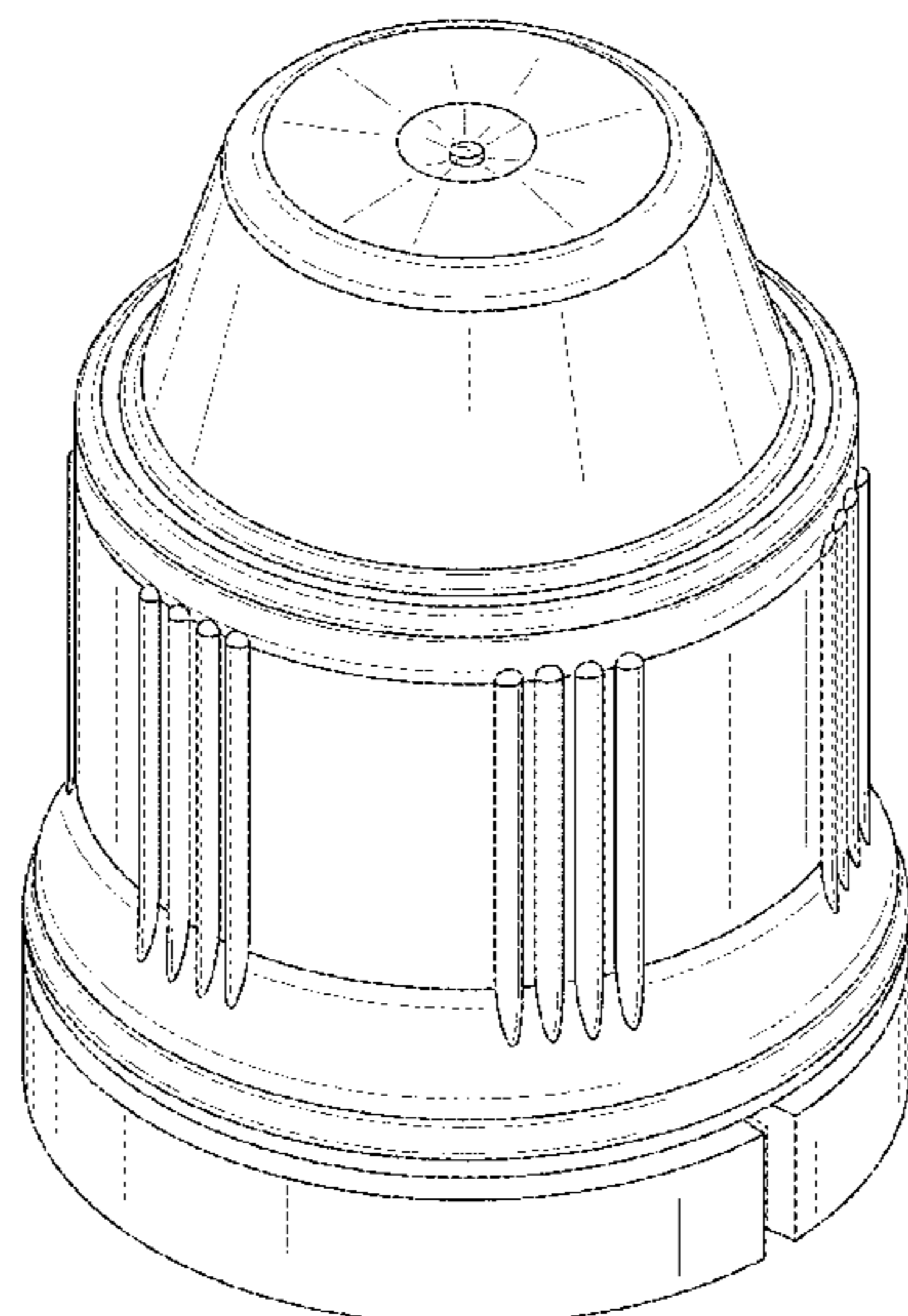
(57) **CLAIM**

The ornamental design for a closure for a container, as shown and described.

**DESCRIPTION**

FIG. 1 is a front view of a closure for a container;  
FIG. 2 is a rear view thereof;  
FIG. 3 is a right side view thereof;  
FIG. 4 is a left side view thereof;  
FIG. 5 is a perspective view thereof;  
FIG. 6 is a top view thereof; and,  
FIG. 7 is a bottom view thereof.  
The broken lines depict portions of the closure for a container that form no part of the claimed design.

**1 Claim, 7 Drawing Sheets**



(56)

**References Cited**

U.S. PATENT DOCUMENTS

D768,492 S \* 10/2016 Kim ..... D9/434  
D772,481 S \* 11/2016 Paquet ..... D28/7

\* cited by examiner

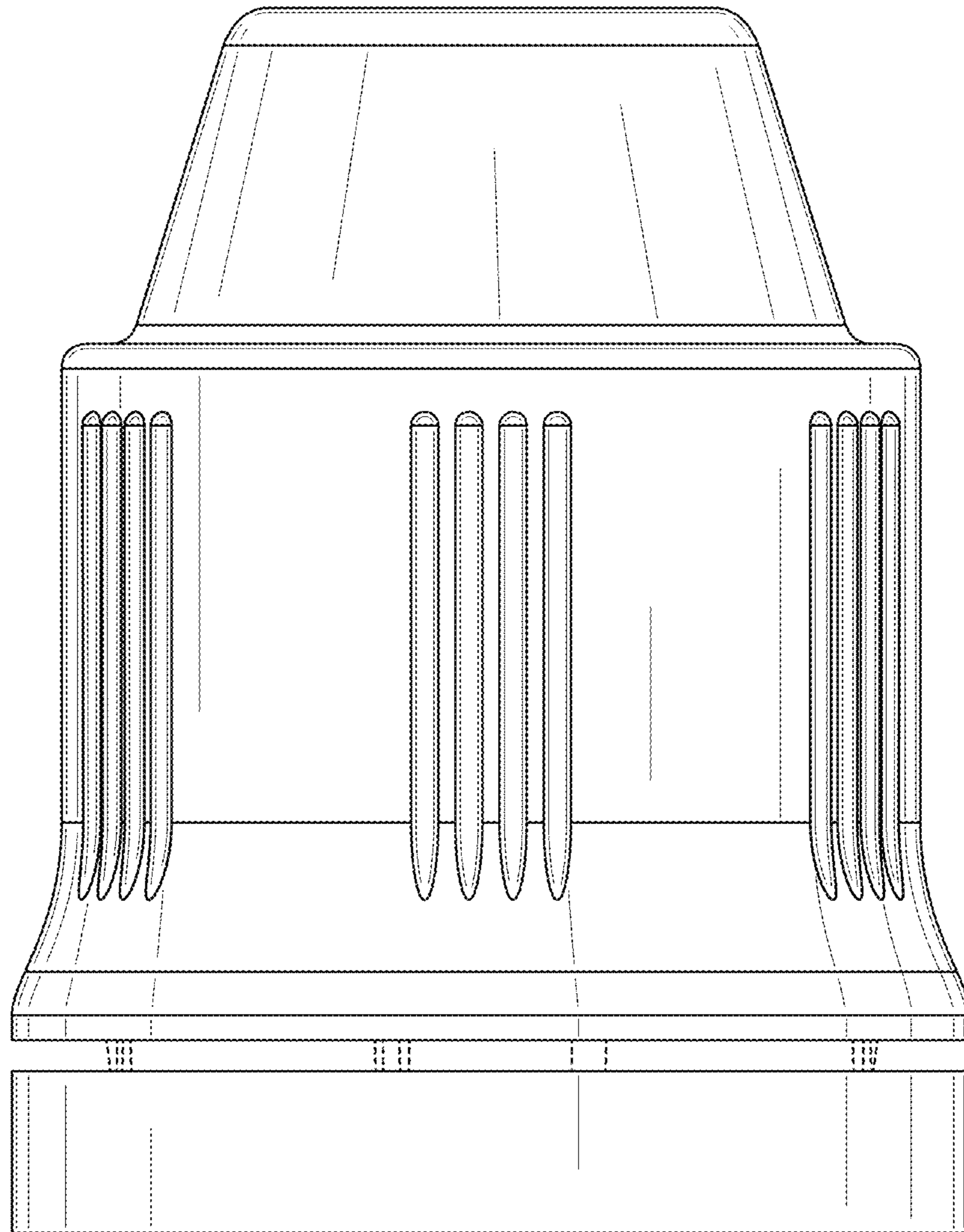


FIG. 1

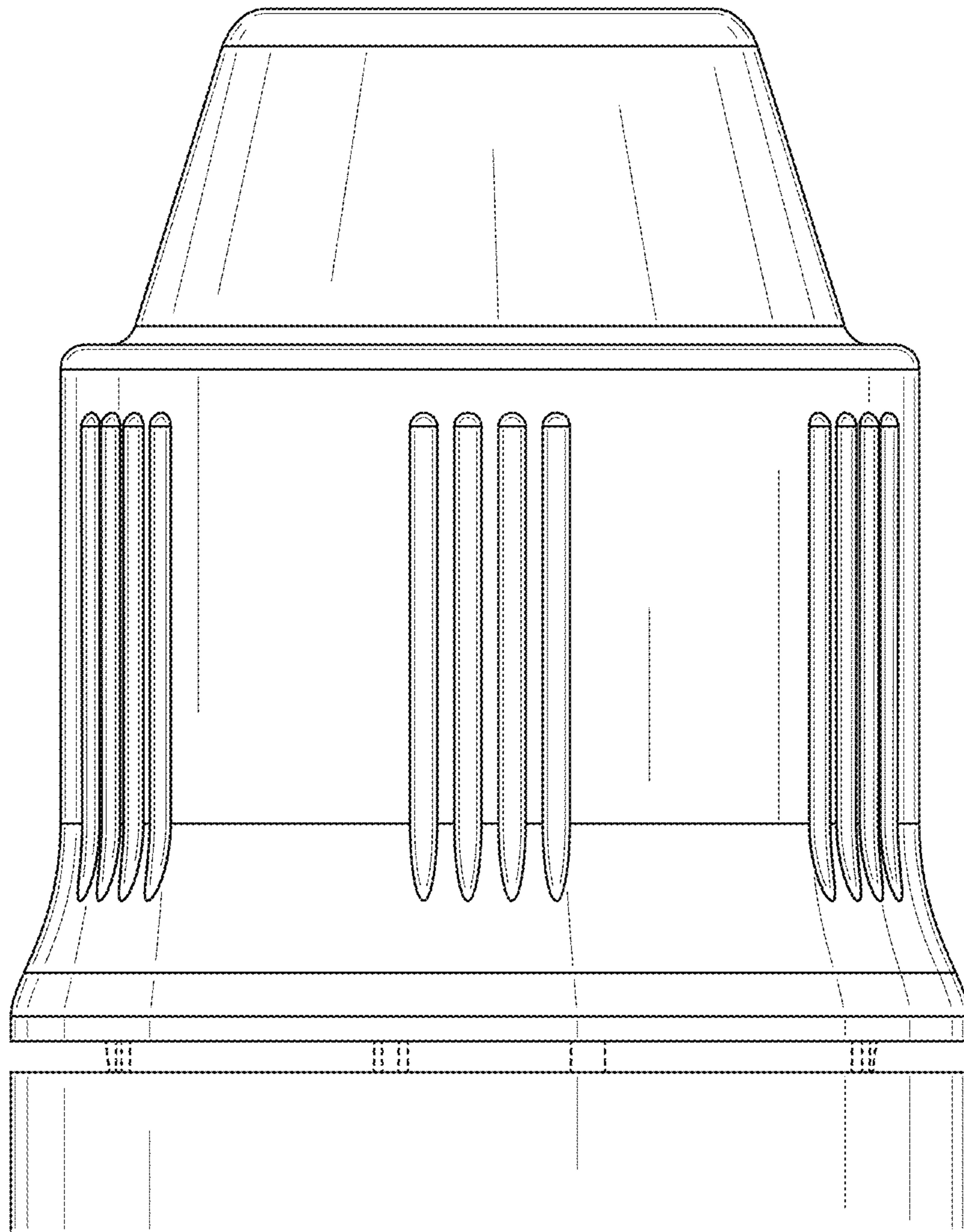


FIG. 2

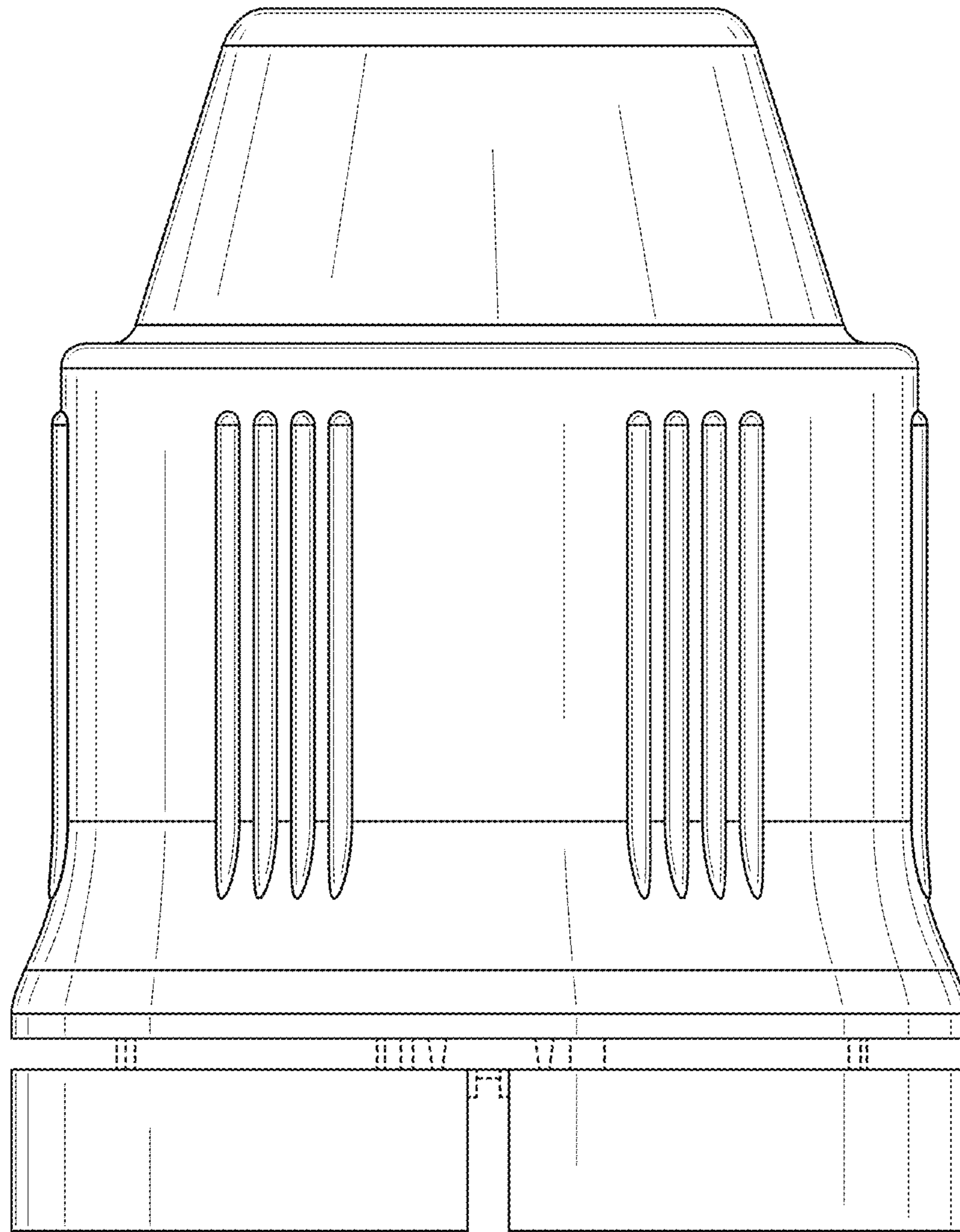


FIG. 3

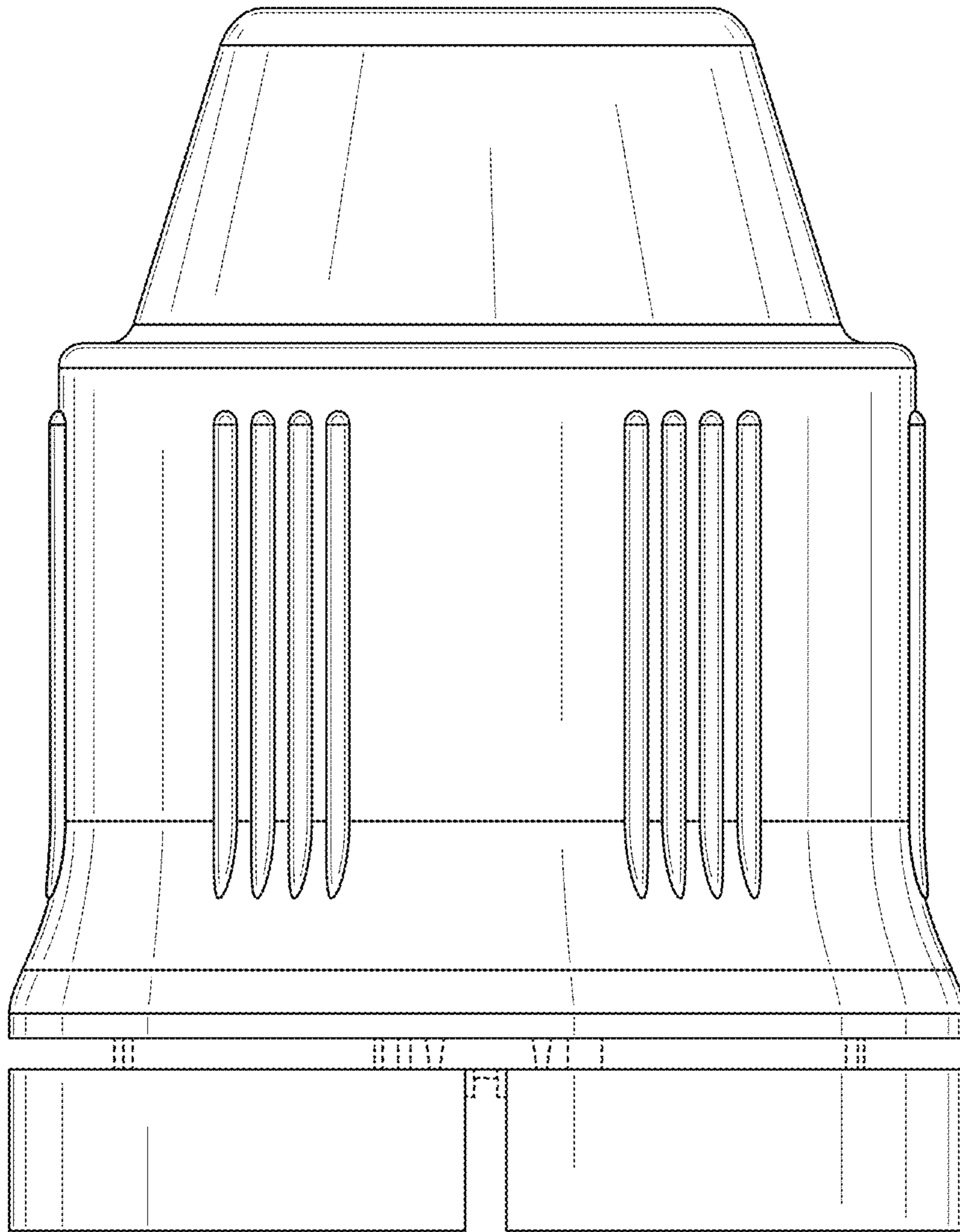


FIG. 4

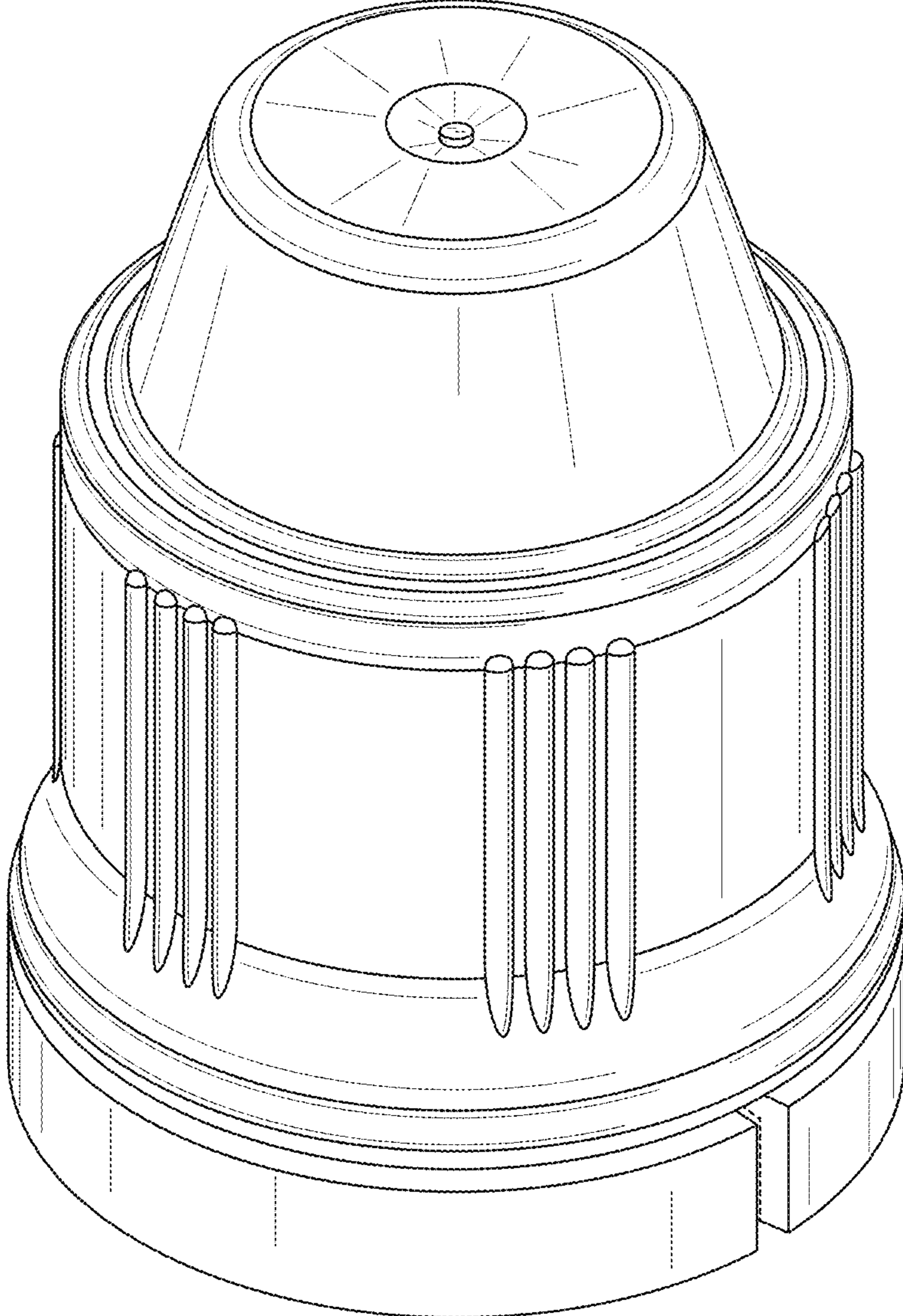
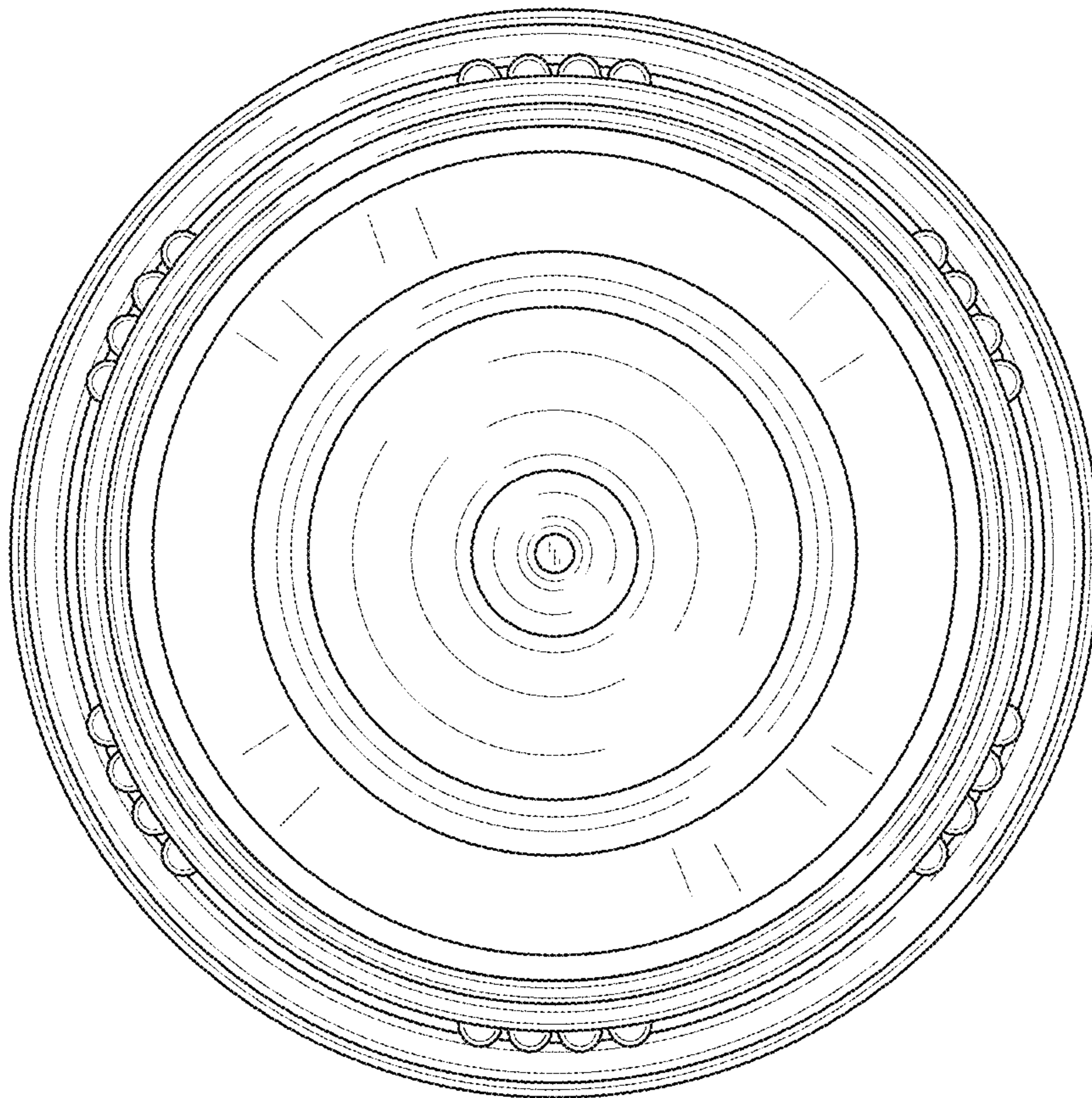


FIG. 5



**FIG. 6**



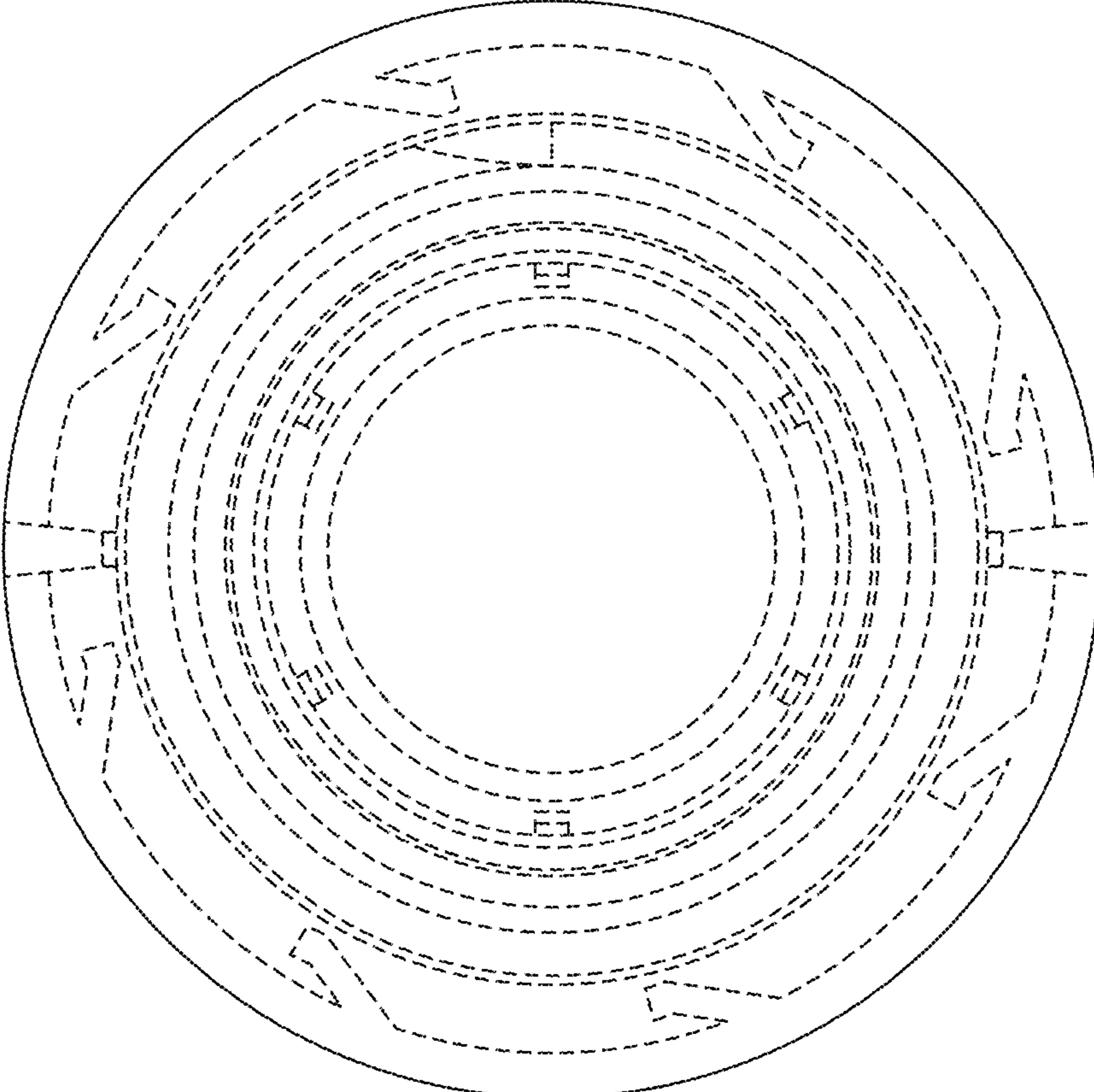


FIG. 7