



US00D811219S

(12) **United States Design Patent** (10) **Patent No.:** **US D811,219 S**  
**Turner** (45) **Date of Patent:** **\*\* Feb. 27, 2018**

(54) **STRAP CONTAINER**

(71) Applicant: **Thomas J. Turner**, Belleview, OH  
(US)

(72) Inventor: **Thomas J. Turner**, Belleview, OH  
(US)

(\*\*) Term: **15 Years**

(21) Appl. No.: **29/575,017**

(22) Filed: **Aug. 22, 2016**

(51) **LOC (11) Cl.** ..... **09-01**

(52) **U.S. Cl.**  
USPC ..... **D9/444**

(58) **Field of Classification Search**

USPC ..... D9/414-434, 442-445, 456, 457, 542,  
D9/563, 600, 614-624, 629, 655, 657,  
D9/658, 661, 685, 696, 697-699, 707,  
D9/708, 711, 754, 759, 772-776;  
D3/273, 276, 304, 305, 307; D7/601,  
D7/602, 709  
CPC ..... B65D 5/00; B65D 5/001; B65D 5/0015;  
B65D 5/0227-5/0254; B65D 5/18; B65D  
5/38; B65D 5/40; B65D 5/2033; B65D  
5/6605; B65D 5/48024; B65D 1/22;  
B65D 1/24; B65D 1/34; B65B 5/06  
See application file for complete search history.

(56) **References Cited**

**U.S. PATENT DOCUMENTS**

3,853,223	A	12/1974	Nowlain	
5,056,662	A	10/1991	Lasenby et al.	
5,085,322	A	2/1992	Lax	
5,454,932	A	10/1995	Tardiff et al.	
D592,528	S *	5/2009	Short	D9/730
D631,057	S *	1/2011	Kuo	D14/480.7
D639,303	S *	6/2011	Ni	D14/480.7
D644,925	S *	9/2011	Jaworski	D9/423
D646,985	S *	10/2011	Roesler	D9/414

D647,101	S *	10/2011	Huang	D14/480.7
D650,271	S *	12/2011	Cluett	D9/432
D655,709	S *	3/2012	Huang	D14/480.3
D664,442	S *	7/2012	Ciulla	D9/418
D678,760	S *	3/2013	Cooper	D9/418
D724,601	S *	3/2015	Hsieh	D14/480.3
D736,455	S *	8/2015	Liu	D27/189

(Continued)

*Primary Examiner* — Vy N Koenig

*Assistant Examiner* — Omeed Agilee

(74) *Attorney, Agent, or Firm* — Donald K. Wedding

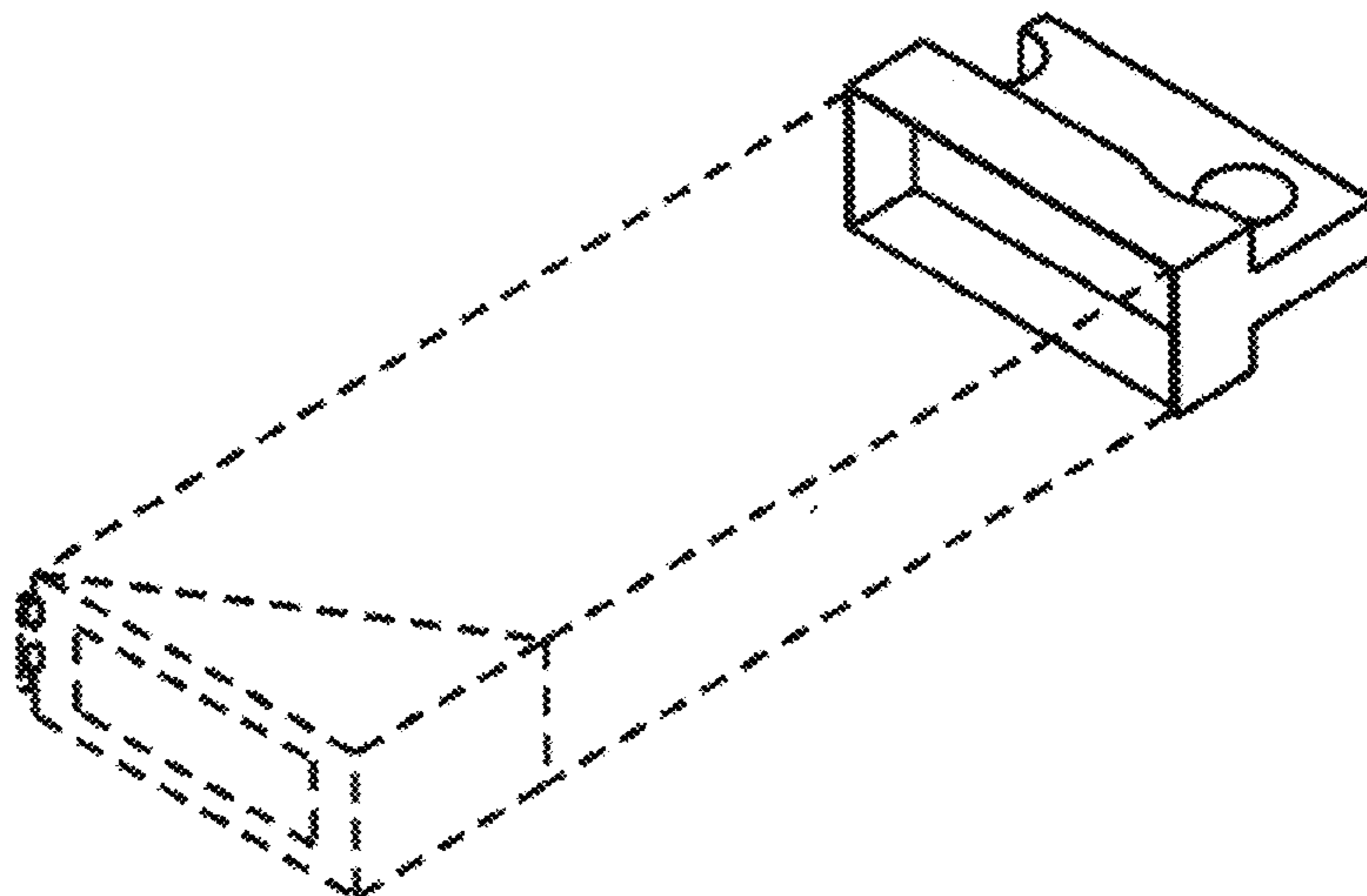
(57) **CLAIM**

The ornamental design for a strap container, as shown and described.

**DESCRIPTION**

FIG. 1 is a front, right, and bottom perspective view of a strap container, showing my new design.  
FIG. 2 is a front, right, and top perspective view thereof;  
FIG. 3 is a front, left, and bottom perspective view thereof;  
FIG. 4 is a front, left, and top perspective view thereof;  
FIG. 5 is a front elevational view thereof;  
FIG. 6 is a right elevational view thereof;  
FIG. 7 is a left elevational view thereof;  
FIG. 8 is a top plan view thereof;  
FIG. 9 is a bottom plan view thereof;  
FIG. 10 is a cross sectional view thereof, taken along the line 10-10 in FIG. 7;  
FIG. 13 is a cross sectional view thereof, taken along the line 11-11 in FIG. 5;  
FIG. 12 is a front elevational view of a strap container with an unclaimed shackle;  
FIG. 13 is a right elevational view thereof;  
FIG. 14 is a left elevational view thereof;  
FIG. 15 is a top plan view thereof; and,  
FIG. 16 is a bottom plan view thereof.  
The broken lines in the drawings represent environmental structure only and form no part of the claimed design.

**1 Claim, 5 Drawing Sheets**



(56)

**References Cited**

U.S. PATENT DOCUMENTS

D759,031 S \* 6/2016 Ozolins ..... D14/480.5  
D762,308 S \* 7/2016 Wang ..... D24/206  
D767,821 S \* 9/2016 Clark ..... D27/189  
D780,183 S \* 2/2017 Ferguson ..... D14/435.1

\* cited by examiner

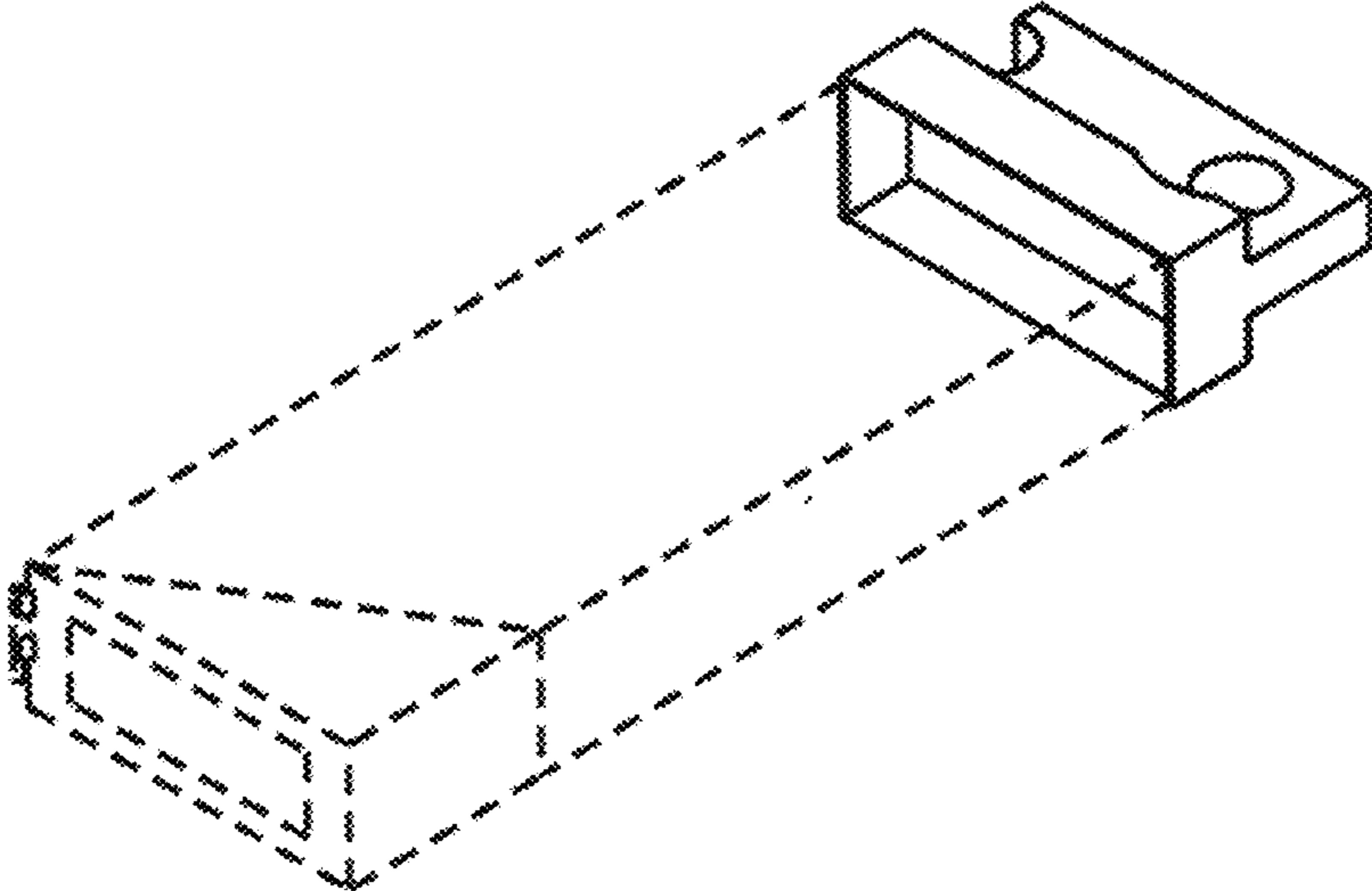


FIG. 1

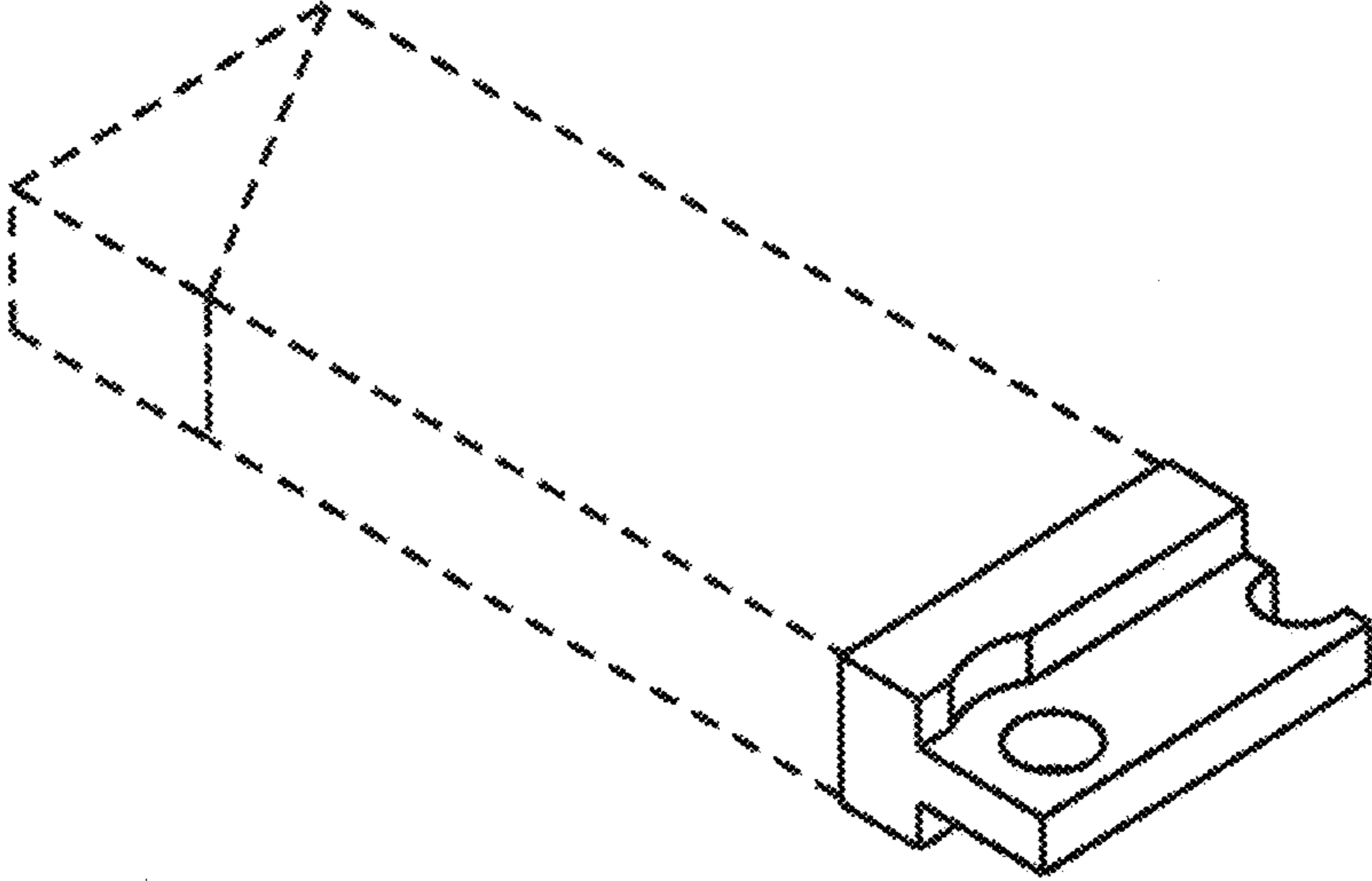


FIG. 2

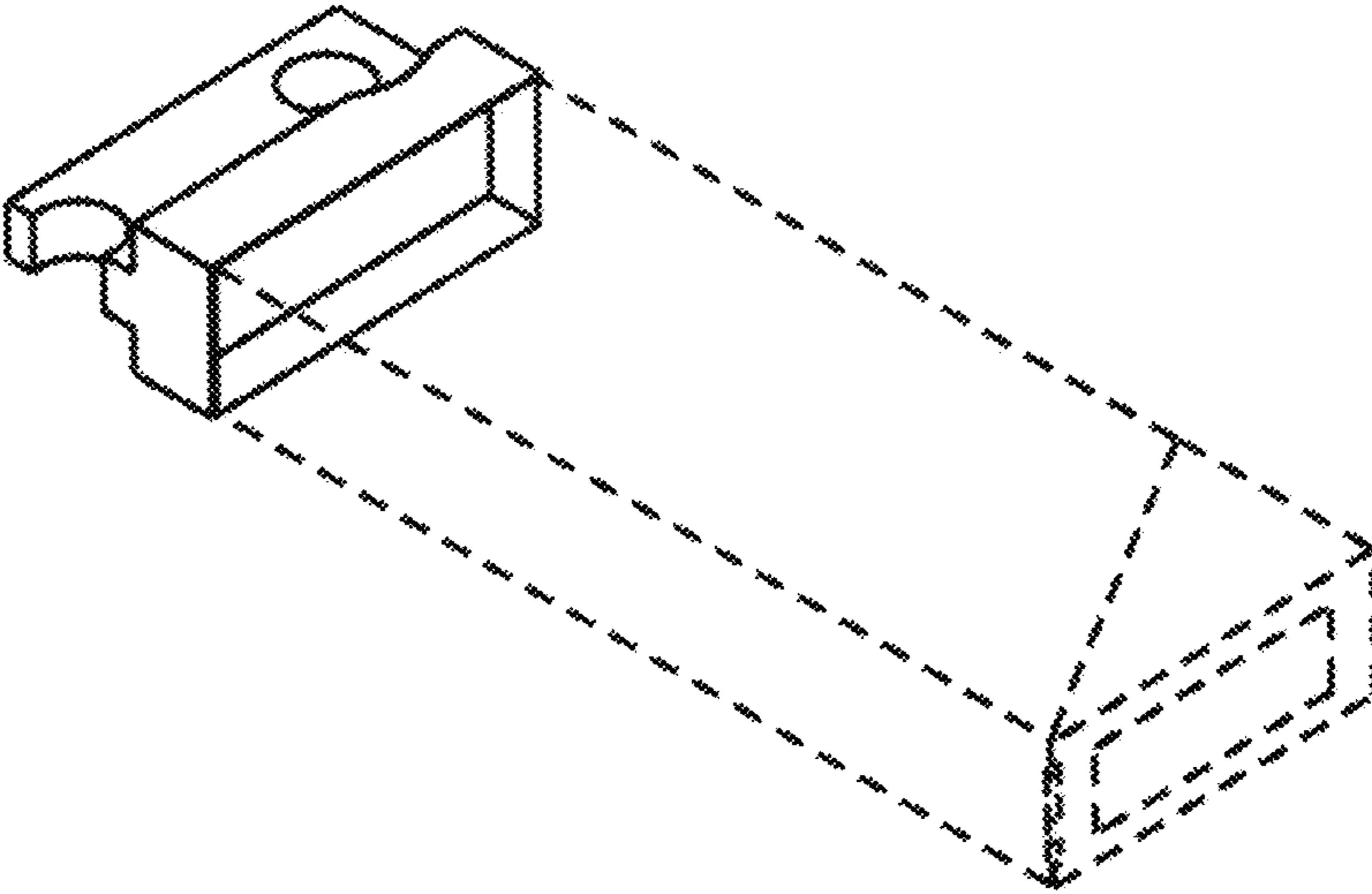


FIG. 3

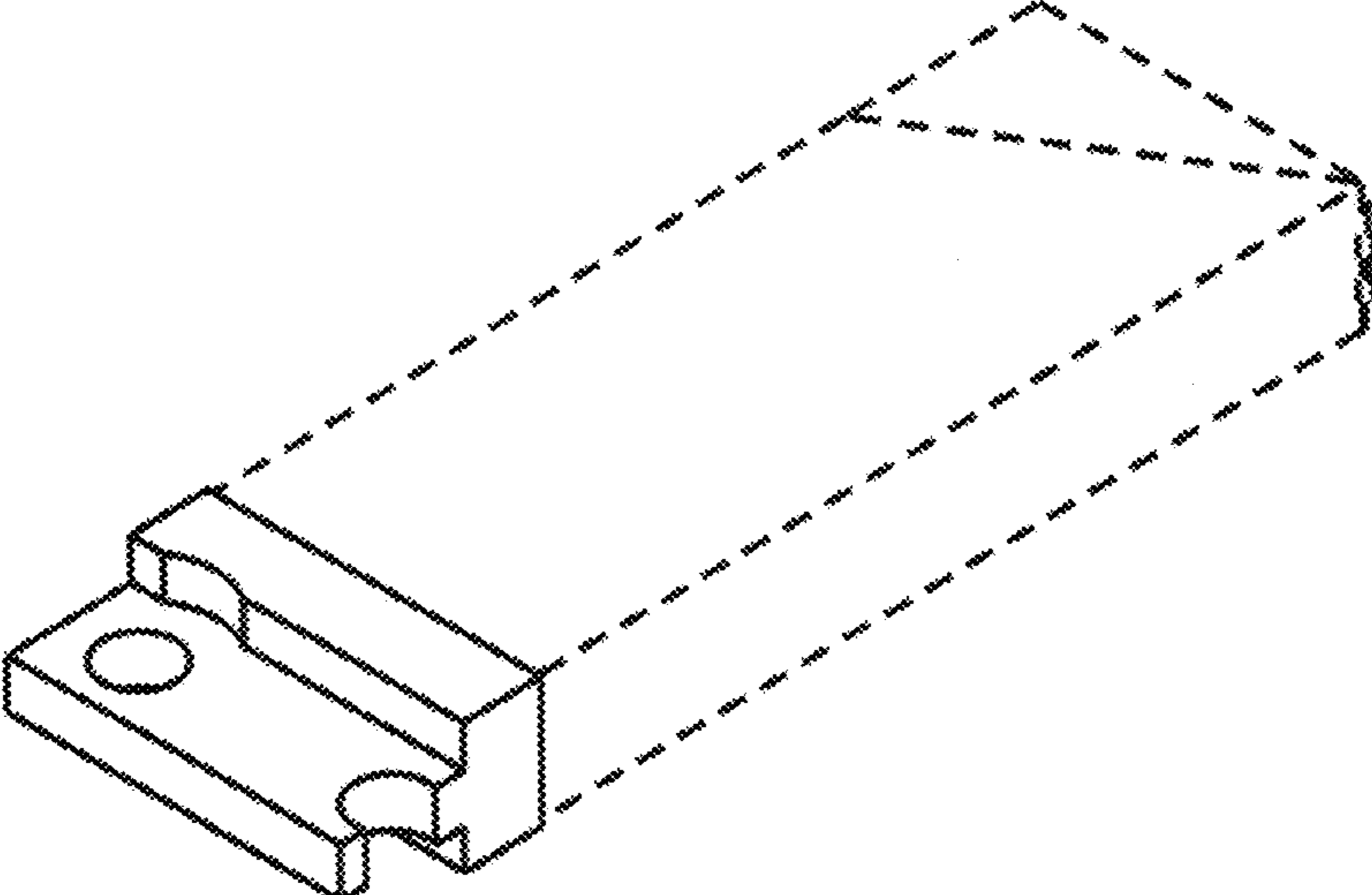


FIG. 4

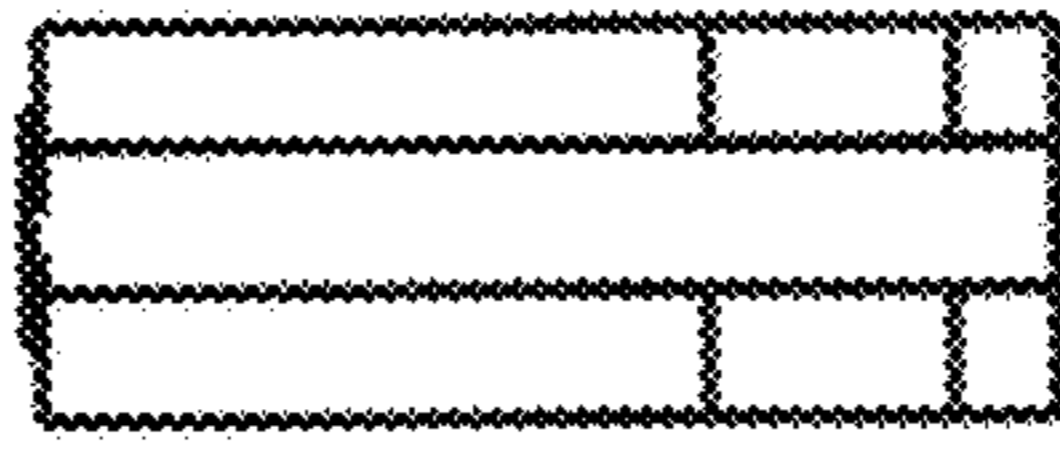


FIG. 8

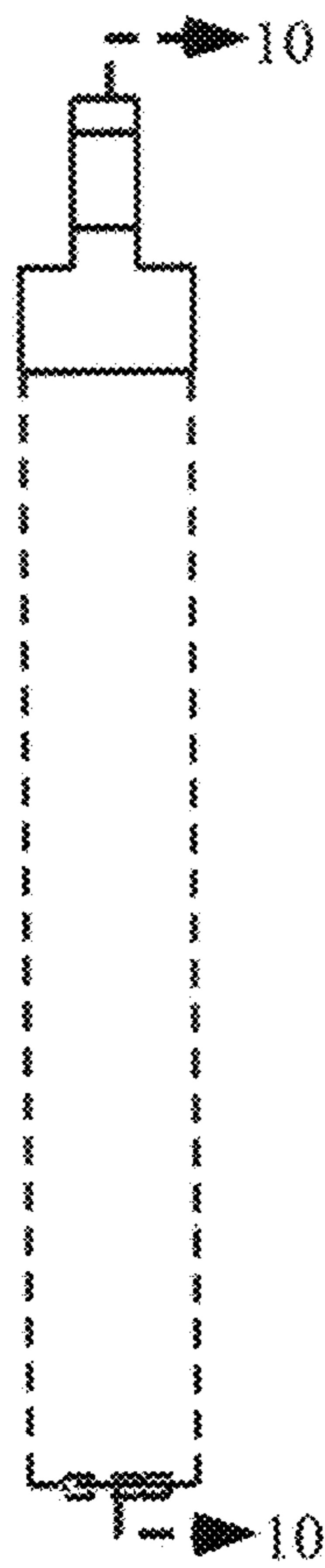


FIG. 7

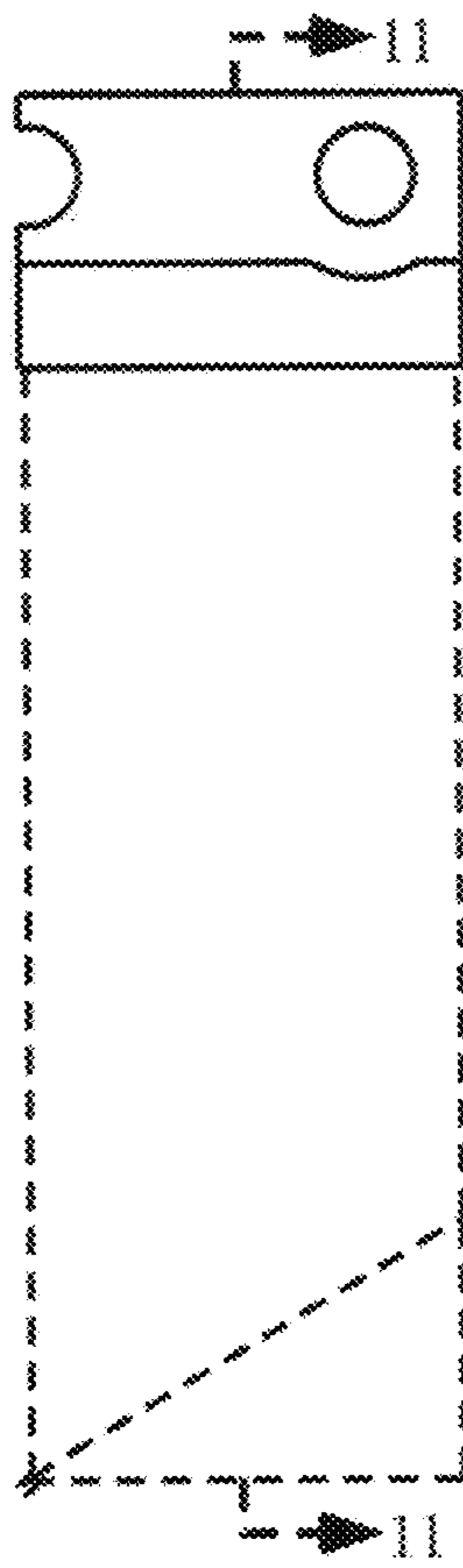


FIG. 5

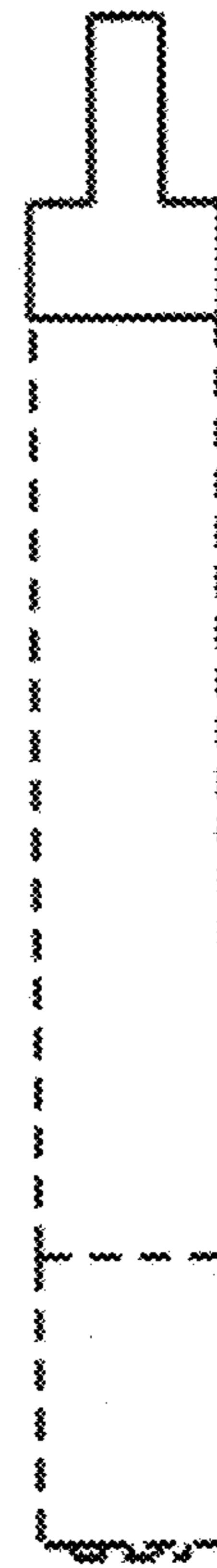


FIG. 6



FIG. 9

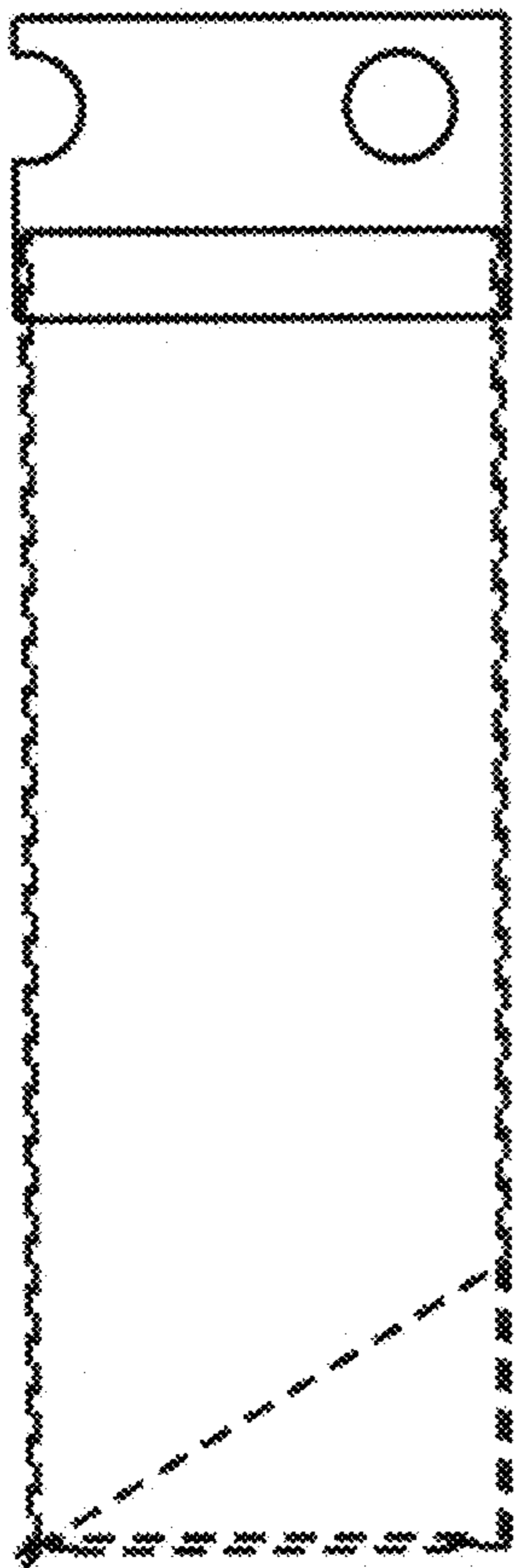


FIG. 10

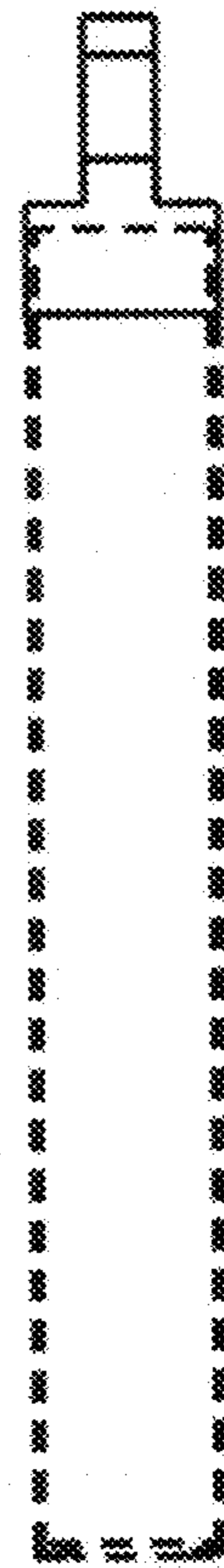


FIG. 11

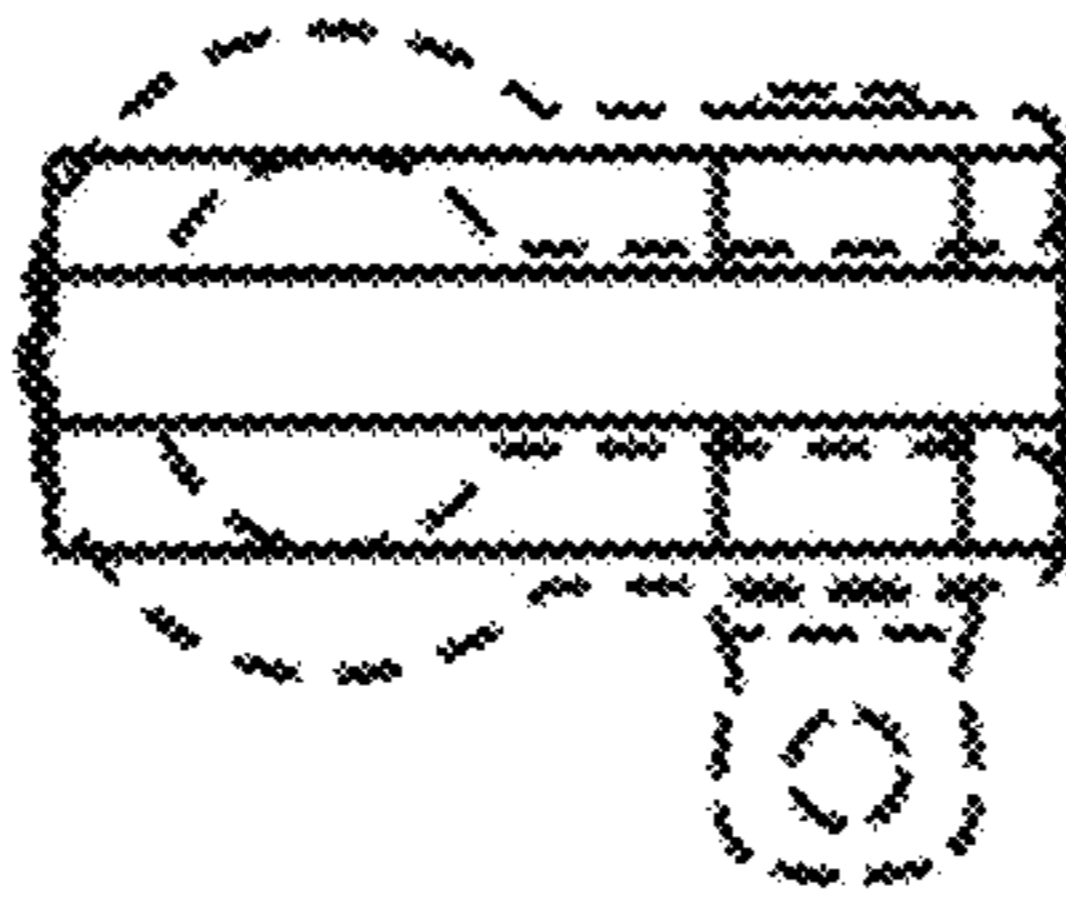


FIG. 15

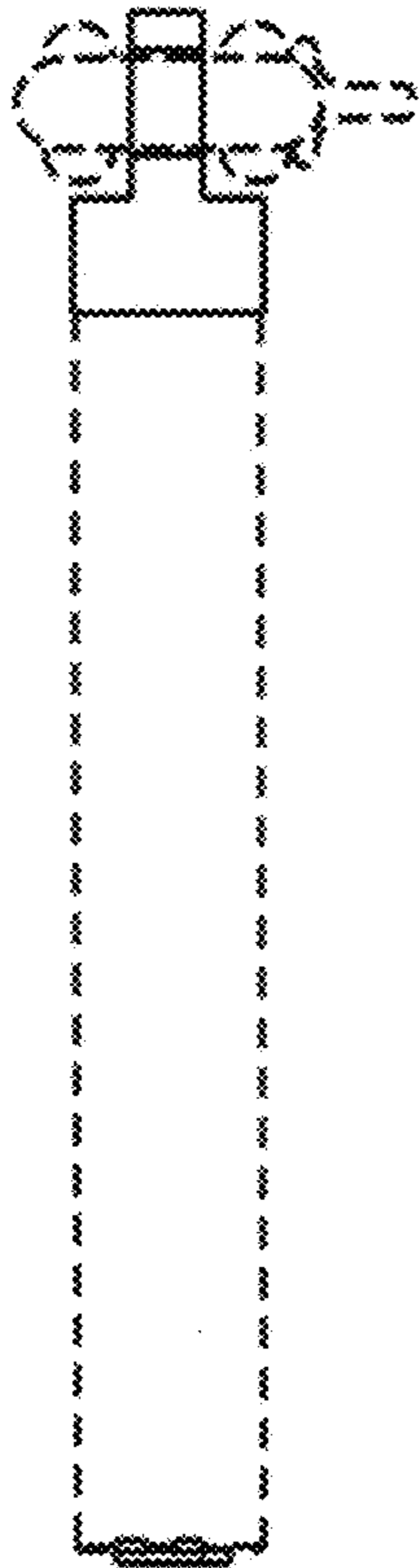


FIG. 14

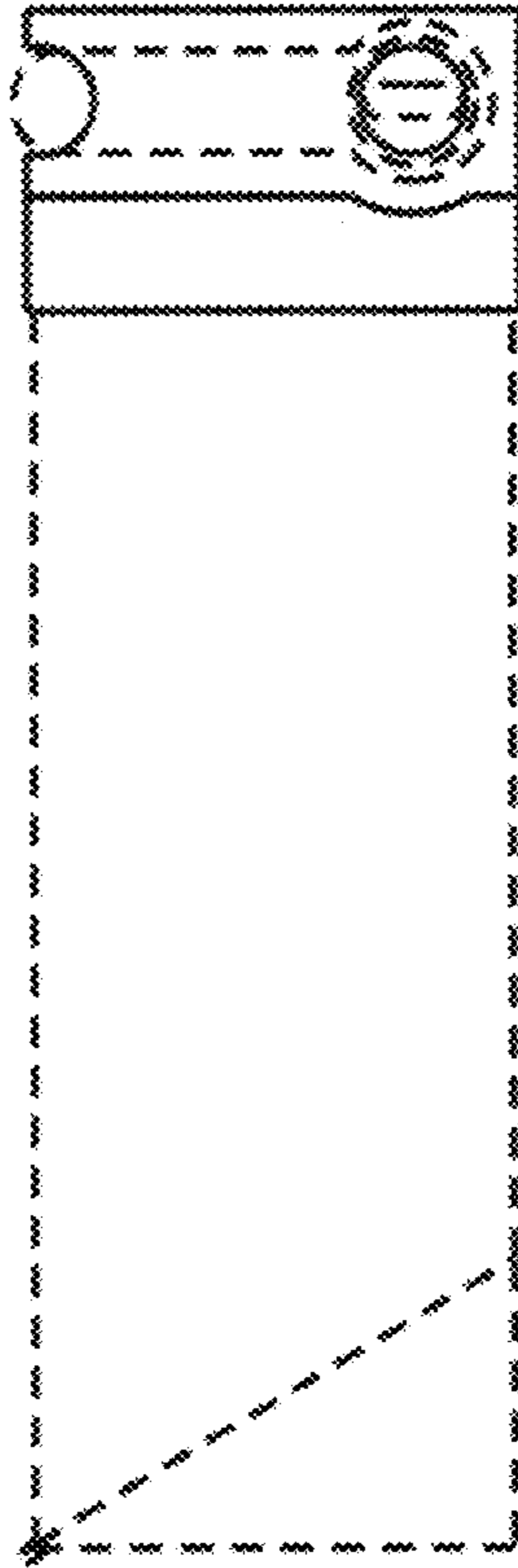


FIG. 12

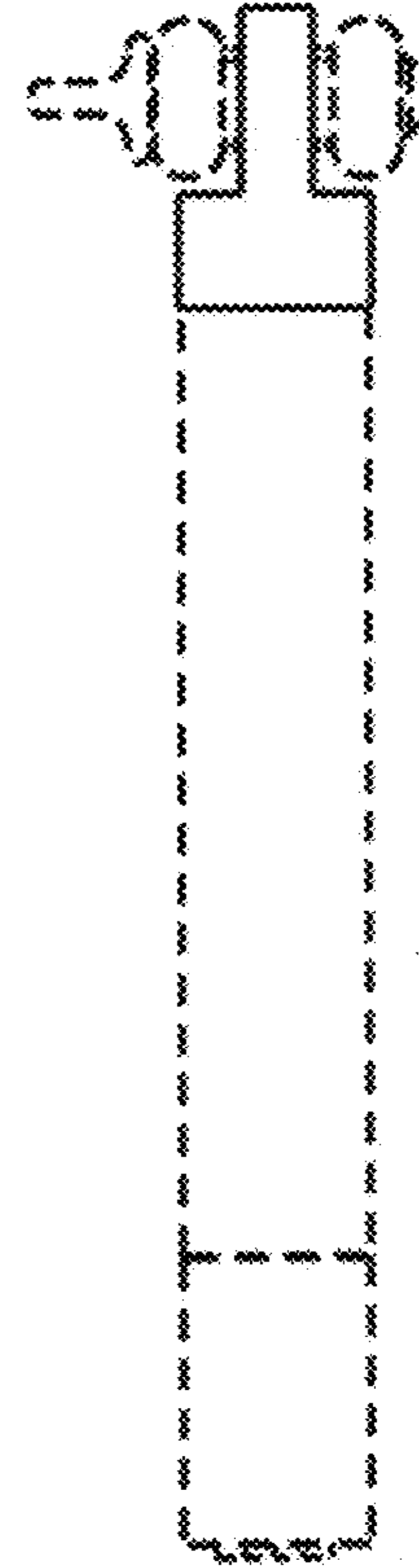


FIG. 13

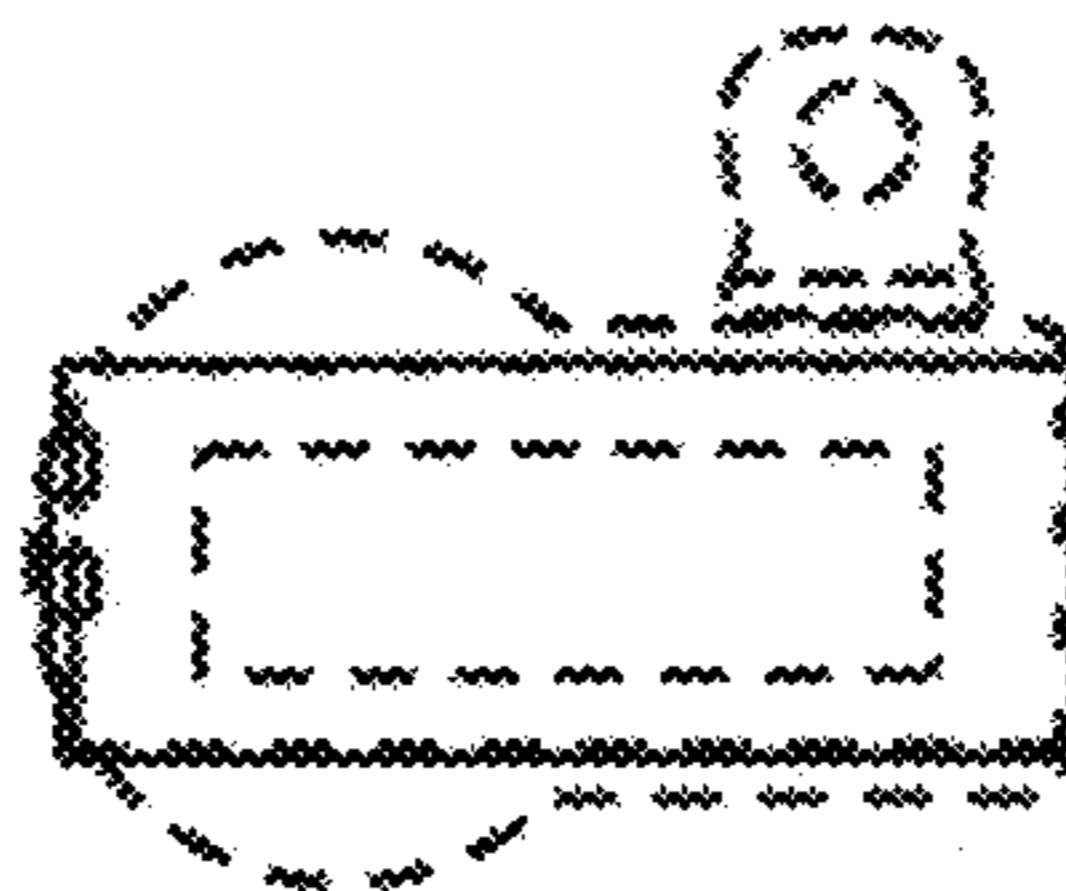


FIG. 16