



US00D811218S

(12) **United States Design Patent** (10) **Patent No.:** **US D811,218 S**  
**Baldino et al.** (45) **Date of Patent:** **\*\* Feb. 27, 2018**

(54) **CARTON**  
(71) Applicant: **Graphic Packaging International, Inc.**, Atlanta, GA (US)  
(72) Inventors: **Mark Baldino**, Marietta, GA (US); **Aaron Lee Bates**, Kennesaw, GA (US)  
(73) Assignee: **Graphic Packaging International, Inc.**, Atlanta, GA (US)

2,554,190 A 5/1951 Hennessey  
2,605,035 A 7/1952 Williamson  
2,718,301 A 9/1955 Palmer  
2,723,027 A 11/1955 Guyer  
2,754,047 A 7/1956 Schmidt et al.  
2,756,553 A 7/1956 Ferguson  
2,783,690 A 3/1957 Crary et al.  
2,796,709 A 6/1957 Bolding  
2,798,603 A 7/1957 Grinspoon

(Continued)

(\*\*) Term: **15 Years**

(21) Appl. No.: **29/587,937**

(22) Filed: **Dec. 16, 2016**

FOREIGN PATENT DOCUMENTS

BE 671 762 3/1966  
CA 2 172 379 12/1995

(Continued)

OTHER PUBLICATIONS

International Search Report and Written Opinion for PCT/US2016/031154 dated Aug. 17, 2016.

*Primary Examiner* — Vy N Koenig

(74) *Attorney, Agent, or Firm* — Womble Bond Dickinson (US) LLP

**Related U.S. Application Data**

(63) Continuation of application No. 15/148,189, filed on May 6, 2016.

(51) **LOC (11) Cl.** ..... **09-03**

(52) **U.S. Cl.**  
USPC ..... **D9/432**; D9/418

(58) **Field of Classification Search**  
USPC ..... D9/414–434, 703–705, 711, 721–722;  
D3/272–275, 290, 299, 304, 305, 315  
CPC ..... B65D 5/00; B65D 5/0015; B65D 5/061;  
B65D 5/18; B65D 5/20; B65D 5/32;  
B65D 5/321; B65D 5/322  
See application file for complete search history.

(57) **CLAIM**

The ornamental design for a carton, as shown and described.

**DESCRIPTION**

FIG. 1 is a perspective view of a carton showing our new design.

FIG. 2 is a front elevation view of the carton of FIG. 1, the rear elevation view being identical.

FIG. 3 is a right elevation view of the carton of FIG. 1, the left elevation view being identical; and,

FIG. 4 is a top plan view of the carton of FIG. 1, the bottom plan view being a mirror image.

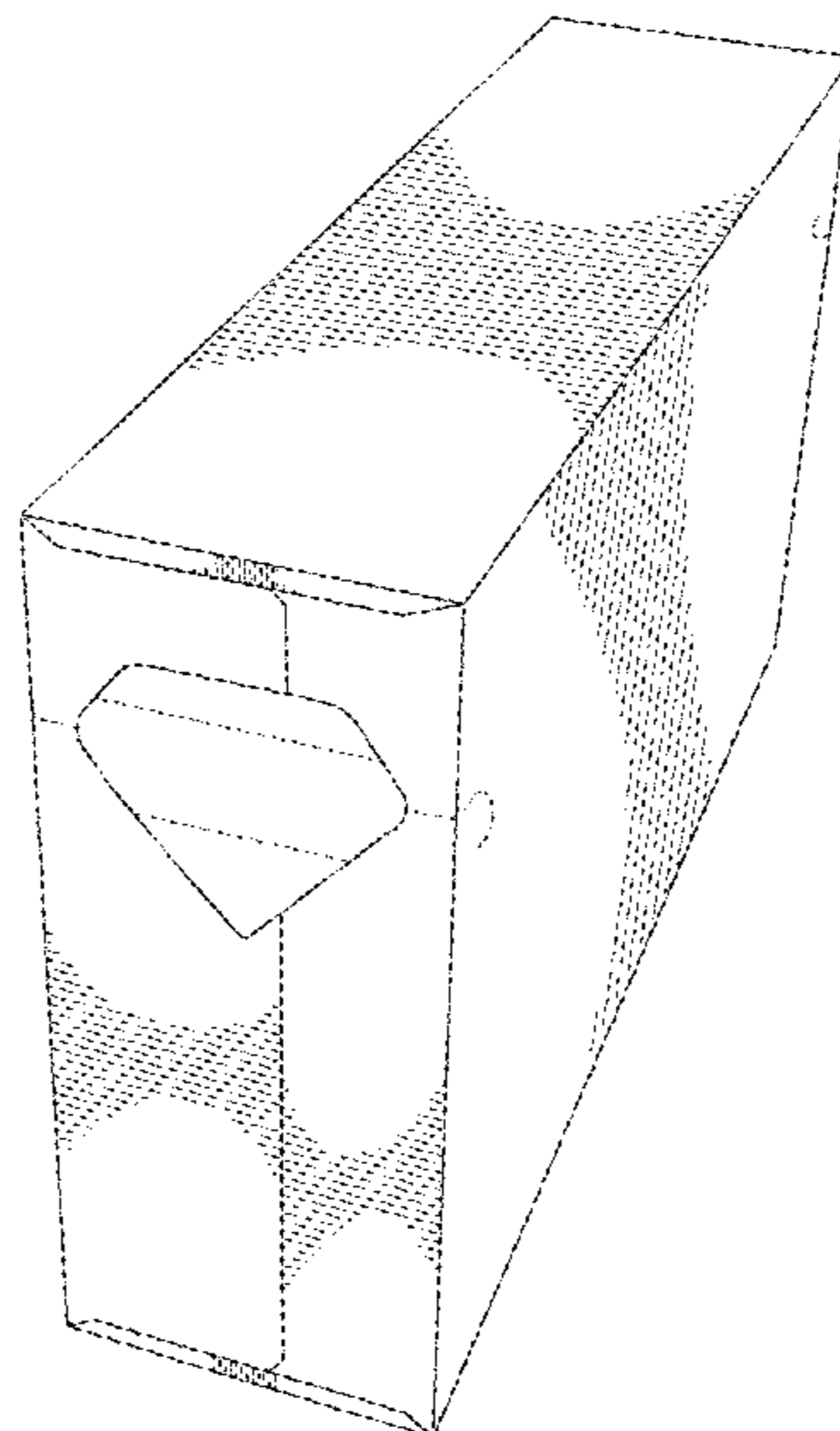
The evenly-spaced dashed lines depict environmental subject matter only that forms no part of the claimed design.

(56) **References Cited**

U.S. PATENT DOCUMENTS

902,347 A 10/1908 Tillinghast  
1,541,143 A 6/1925 Hoile  
1,925,102 A 9/1933 Levkoff  
2,115,673 A 4/1938 Stompe  
2,124,808 A 7/1938 White et al.  
D124,610 S \* 1/1941 Norton ..... D9/418  
2,448,819 A 9/1948 Mitchell

**1 Claim, 4 Drawing Sheets**



(56)

References Cited

U.S. PATENT DOCUMENTS

2,800,224 A	7/1957	Taylor et al.	4,328,893 A	5/1982	Oliff et al.
2,842,304 A	7/1958	Ringler	4,364,509 A	12/1982	Holley, Jr. et al.
2,849,111 A	8/1958	Fielding	4,375,258 A	3/1983	Crayne et al.
2,854,183 A	9/1958	Srofe	D269,068 S	5/1983	Mann et al.
2,868,431 A	1/1959	Painter	4,394,903 A	7/1983	Bakx
RE24,667 E	7/1959	Fielding	D270,041 S	8/1983	Vestal
2,919,844 A	1/1960	Anderson, Jr.	4,396,143 A	8/1983	Killy
2,922,561 A	1/1960	Curri van	4,416,410 A	11/1983	Herrmann
2,928,541 A	3/1960	Fielding	4,417,655 A	11/1983	Forbes, Jr.
2,929,497 A	3/1960	De Million-Czarnecki	4,417,661 A	11/1983	Roccaforte
2,930,516 A	3/1960	Fowle et al.	4,421,232 A	12/1983	Konaka
2,974,848 A	3/1961	Fielding	4,424,901 A	1/1984	Lanier
2,975,891 A	3/1961	Stone	4,440,340 A	4/1984	Bakx
2,990,097 A	6/1961	Thompson	4,465,180 A	8/1984	Klygis
3,002,651 A	10/1961	Gauld	4,482,090 A	11/1984	Milliens
3,018,031 A	1/1962	Ahlbor et al.	4,498,581 A	2/1985	Dutcher
3,060,659 A	10/1962	Blais	4,508,258 A	4/1985	Graser
3,080,050 A	3/1963	Fielding	4,519,182 A	5/1985	Lever et al.
3,176,902 A	4/1965	Champlin	4,523,676 A	6/1985	Barrash
3,178,242 A	4/1965	Ellis	4,566,593 A	1/1986	Muller
3,207,411 A *	9/1965	Farquhar ..... B65D 5/3621 206/457	4,577,762 A	3/1986	Kuchenbecker
3,228,582 A	1/1966	Osberg	4,582,199 A	4/1986	Schuster
3,237,762 A	3/1966	Wood	D286,987 S	12/1986	Golan et al.
3,252,649 A	5/1966	Graser et al.	4,726,471 A	2/1988	Whately et al.
3,263,861 A	8/1966	Carr	4,735,315 A	4/1988	Oliff et al.
3,265,283 A	8/1966	Farquhar	4,742,915 A	5/1988	Ringer
RE26,083 E	9/1966	Forrer	4,747,485 A	5/1988	Chaussadas
3,300,115 A	1/1967	Schauer	4,747,487 A	5/1988	Wood
3,306,519 A	2/1967	Wood	4,756,419 A	7/1988	Le Bras
3,332,594 A	7/1967	Capua	4,784,266 A	11/1988	Chaussadas
3,339,723 A	9/1967	Wood	4,785,991 A	11/1988	Schuster
3,343,660 A	9/1967	Bailey	4,804,089 A	2/1989	Wilson
3,356,279 A	12/1967	Root	4,817,797 A	4/1989	Hamelin
3,356,283 A	12/1967	Champlin	D303,090 S	8/1989	Armor et al.
3,373,867 A	3/1968	Wood	4,860,943 A	8/1989	Cooper
3,429,496 A	2/1969	Hickin	4,860,944 A	8/1989	Wonnacott
3,447,672 A	6/1969	Bailey et al.	4,875,585 A	10/1989	Kadleck et al.
3,517,858 A	6/1970	Farquhar	4,890,440 A	1/1990	Romagnoli
3,540,581 A	11/1970	Koolnis	4,901,849 A	2/1990	Wilson
3,541,757 A	11/1970	Bertrand	4,919,266 A	4/1990	McIntosh, Jr. et al.
3,557,521 A	1/1971	Pierce, Jr.	4,949,845 A	8/1990	Dixon
3,593,849 A	7/1971	Helms	4,966,324 A	10/1990	Steel
3,599,858 A	8/1971	Samsing	4,972,991 A	11/1990	Schuster
3,635,452 A	1/1972	Helms	4,974,771 A	12/1990	Lavery
3,669,251 A	6/1972	Phillips	4,981,253 A	1/1991	Quaintenance
3,669,342 A	6/1972	Funkhouser	5,000,313 A	3/1991	Oliff
3,669,343 A	6/1972	Howard	5,002,186 A	3/1991	Cooper
3,688,972 A	9/1972	Mahon	5,031,825 A	7/1991	Romagnoli
3,747,835 A	7/1973	Graser	5,042,660 A	8/1991	Carver
3,765,527 A	10/1973	Vargo	5,060,792 A	10/1991	Oliff
3,767,042 A	10/1973	Ganz	5,067,615 A	11/1991	Davitian
3,807,624 A	4/1974	Funkhouser	5,094,347 A	3/1992	Schuster
3,894,681 A	7/1975	Arneson et al.	5,101,642 A	4/1992	Alexandrov
3,904,036 A	9/1975	Forrer	5,107,986 A	4/1992	Cooper
3,913,739 A	10/1975	Hennessey	5,123,589 A	6/1992	Cote
3,942,631 A	3/1976	Sutherland et al.	5,131,588 A	7/1992	Oliff
3,963,121 A	6/1976	Kipp	5,137,211 A	8/1992	Summer et al.
4,000,811 A	1/1977	Hardinson et al.	5,170,934 A	12/1992	Lemoine
4,004,500 A	1/1977	Wood	5,180,100 A	1/1993	Shimizu
D243,508 S	3/1977	Killy	D332,915 S	2/1993	Hoell et al.
4,010,593 A	3/1977	Graham	5,195,676 A	3/1993	LeBras
4,030,596 A	6/1977	Snyder et al.	5,197,656 A	3/1993	Hoell et al.
4,096,985 A	6/1978	Wood	5,246,112 A	9/1993	Stout et al.
4,101,069 A	7/1978	Wood	5,277,360 A	1/1994	DeMott
D252,259 S	7/1979	Rinehart	5,279,440 A	1/1994	Fougeres et al.
4,200,220 A	4/1980	Ganz	5,284,292 A	2/1994	Johnson
4,202,446 A	5/1980	Sutherland	5,297,673 A	3/1994	Sutherland
4,214,660 A	7/1980	Hunt, Jr.	5,333,734 A	8/1994	Stout et al.
4,216,861 A	8/1980	Oliff	5,351,878 A	10/1994	Cooper
4,222,485 A	9/1980	Focke	5,368,194 A	11/1994	Oliff et al.
D261,861 S *	11/1981	Carter ..... D9/418	5,395,043 A	3/1995	Bacques et al.
D263,204 S	3/1982	Dutcher	5,421,458 A	6/1995	Campbell
4,318,474 A	3/1982	Hasegawa	5,427,242 A	6/1995	Oliff et al.
4,325,482 A	4/1982	Feeser	D360,131 S *	7/1995	Tudor ..... D9/418
			5,443,203 A	8/1995	Sutherland
			D364,087 S *	11/1995	Farley ..... D3/227
			5,465,831 A	11/1995	Smith
			5,472,090 A	12/1995	Sutherland
			5,472,138 A	12/1995	Ingram

(56)

References Cited

U.S. PATENT DOCUMENTS

5,485,915 A	1/1996	Harris	6,866,186 B2	3/2005	Fogle et al.
5,505,372 A	4/1996	Edson et al.	6,948,651 B2	9/2005	Ikeda
5,518,111 A	5/1996	Stout	6,981,631 B2	1/2006	Fogle et al.
5,536,194 A	7/1996	Larsen et al.	6,988,617 B2	1/2006	Gomes et al.
5,542,536 A	8/1996	Sutherland	7,000,803 B2	2/2006	Miller
5,551,556 A	9/1996	Sutherland	7,007,800 B2	3/2006	Le Bras
5,558,212 A	9/1996	Sutherland	7,025,197 B2	4/2006	Sutherland
5,558,213 A	9/1996	Sutherland	7,048,113 B2	5/2006	Gomes
5,595,339 A	1/1997	Correll	7,100,798 B2	9/2006	Spivey
5,597,071 A	1/1997	Sutherland	7,159,759 B2	1/2007	Sutherland
5,609,251 A	3/1997	Harris	7,175,020 B2	2/2007	Sutherland et al.
5,622,309 A	4/1997	Matsuda et al.	7,237,674 B2	7/2007	Auclair
5,664,401 A	9/1997	Portrait et al.	7,427,010 B2	9/2008	Sutherland
5,664,683 A	9/1997	Brody	7,448,492 B2	11/2008	Sutherland
5,682,995 A	11/1997	Sutherland	7,644,817 B2	1/2010	Sutherland
5,690,213 A	11/1997	Matsumura	7,677,387 B2	3/2010	Brand et al.
5,692,614 A	12/1997	Harris	7,762,395 B2	7/2010	Sutherland et al.
5,704,470 A	1/1998	Sutherland	7,762,397 B2	7/2010	Coltri-Johnson et al.
5,704,542 A	1/1998	Harrelson	7,766,219 B2	8/2010	Gomes et al.
5,722,584 A	3/1998	Fujiwara	D628,882 S *	12/2010	Work ..... D9/418
5,722,584 A	3/1998	Fujiwara	7,913,844 B2	3/2011	Spivey, Sr.
D393,800 S *	4/1998	Harrison ..... D9/415	D636,663 S *	4/2011	Work ..... D9/418
5,765,685 A	6/1998	Roosa	D645,739 S *	9/2011	Ross ..... D9/432
5,775,574 A	7/1998	Whitnell	D646,157 S *	10/2011	Work ..... D9/418
5,778,630 A	7/1998	Portrait et al.	D655,600 S *	3/2012	Work ..... D9/418
5,782,343 A	7/1998	Harrelson	D668,540 S *	10/2012	Lutzig ..... D9/432
5,826,783 A	10/1998	Stout	8,347,591 B2	1/2013	Coltri-Johnson
5,833,118 A	11/1998	Weiss	8,376,213 B2	2/2013	Brand
5,853,088 A	12/1998	Saulas et al.	8,439,254 B2	5/2013	Smalley
5,855,318 A	1/1999	Baxter	D704,049 S *	5/2014	Ridenour ..... D9/418
5,865,312 A	2/1999	Stall	D705,054 S *	5/2014	McCarthy ..... D9/432
5,873,515 A	2/1999	Dunn et al.	8,800,852 B2	8/2014	Schemmel et al.
5,875,961 A	3/1999	Stone et al.	D729,060 S *	5/2015	Trombetta ..... D9/418
5,878,947 A	3/1999	Hoy et al.	D747,966 S *	1/2016	McClaughry ..... D9/456
5,881,884 A	3/1999	Podosek	D748,975 S *	2/2016	McClaughry ..... D9/418
5,915,546 A	6/1999	Harrelson	9,392,888 B2	7/2016	Spivey, Sr.
5,921,398 A	7/1999	Carroll	9,415,915 B2	8/2016	Spivey, Sr. et al.
5,924,559 A	7/1999	Carrel et al.	9,434,520 B2	9/2016	Bates
5,931,300 A	8/1999	Sutherland	9,452,874 B2	9/2016	Harrelson
5,937,620 A	8/1999	Chalendar	2002/0070139 A1	6/2002	Bates
5,941,453 A	8/1999	Oliff	2002/0088820 A1	7/2002	Spivey
5,943,847 A	8/1999	Chalendar	2002/0088821 A1	7/2002	Spivey et al.
5,947,367 A	9/1999	Miller et al.	2002/0185527 A1	12/2002	Bates
5,975,286 A	11/1999	Oliff	2003/0000182 A1	1/2003	Portrait et al.
6,019,220 A	2/2000	Sutherland	2003/0132130 A1	7/2003	Bras
6,021,898 A	2/2000	Sutherland	2003/0141353 A1	7/2003	Wilson
6,021,899 A	2/2000	Sutherland	2003/0192905 A1	10/2003	Spivey
6,085,969 A	7/2000	Burgoyne	2004/0000582 A1	1/2004	Sutherland
6,105,854 A	8/2000	Spivey	2004/0011674 A1	1/2004	Theelen
6,109,438 A	8/2000	Sutherland	2004/0060972 A1	4/2004	Harrelson
6,155,480 A	12/2000	Botsford et al.	2004/0069659 A1	4/2004	Sutherland
6,158,586 A	12/2000	Muller	2004/0089671 A1	5/2004	Miller
D436,859 S	1/2001	Botsford et al.	2004/0099542 A1	5/2004	Sutherland
6,176,419 B1	1/2001	Holley, Jr.	2004/0099558 A1	5/2004	Oliff et al.
6,227,367 B1	5/2001	Harrelson et al.	2004/0164133 A1	8/2004	Harrelson
6,241,083 B1	6/2001	Harrelson	2004/0188277 A1	9/2004	Auclair
D446,114 S *	8/2001	Stephens ..... D9/418	2004/0188301 A1	9/2004	Gomes
6,283,293 B1	9/2001	Lingamfelter	2004/0232034 A1	11/2004	Lebras
6,289,651 B1	9/2001	Le Bras	2004/0243277 A1	12/2004	Bonnain et al.
6,315,123 B1	11/2001	Ikeda	2004/0254666 A1	12/2004	Bonnain et al.
D454,784 S	3/2002	Oram	2005/0001020 A1	1/2005	Gamier
6,378,697 B1	4/2002	Sutherland et al.	2005/0087592 A1	4/2005	Schuster
6,378,765 B1	4/2002	Sutherland	2005/0103652 A1	5/2005	Wilkins
6,386,369 B2	5/2002	Yuhas et al.	2005/0167290 A1	8/2005	Sutherland
6,409,077 B1	6/2002	Telesca et al.	2005/0178687 A1	8/2005	Spivey, Sr.
6,435,351 B1	8/2002	Gibb	2005/0178791 A1	8/2005	Miller
6,478,219 B1	11/2002	Holley, Jr.	2005/0194430 A1	9/2005	Auclair et al.
6,550,615 B2	4/2003	Linghamfelter	2005/0263574 A1	12/2005	Schuster
6,550,616 B2	4/2003	Le Bras	2006/0000881 A1	1/2006	Sutherland
6,578,736 B2	6/2003	Spivey	2006/0108406 A1	5/2006	Stewart et al.
6,631,803 B2	10/2003	Rhodes et al.	2006/0157545 A1	7/2006	Auclair
6,715,639 B2	4/2004	Spivey	2006/0191811 A1	8/2006	Fogle et al.
6,752,262 B1	6/2004	Boriani et al.	2006/0231604 A1	10/2006	DeBusk
6,789,673 B2	9/2004	Lingamfelter	2006/0254942 A1	11/2006	Cargile, Jr.
6,811,525 B2	11/2004	Culpepper	2006/0255108 A1	11/2006	Shmagin
6,866,185 B2	3/2005	Harrelson	2006/0261140 A1	11/2006	Holley, Jr.
			2007/0017829 A1	1/2007	Sutherland
			2007/0158226 A1	7/2007	Coltri-Johnson et al.
			2007/0227927 A1	10/2007	Coltri-Johnson

(56)

References Cited

U.S. PATENT DOCUMENTS

2007/0241017 A1 10/2007 Sutherland et al.  
 2008/0237320 A1 10/2008 Philips  
 2008/0257943 A1 10/2008 Blin  
 2010/0044420 A1 2/2010 Brand et al.  
 2010/0072267 A1 3/2010 May et al.  
 2011/0036902 A1 2/2011 Smalley  
 2011/0131926 A1 6/2011 Coltri-Johnson  
 2012/0091190 A1 4/2012 Smalley et al.  
 2013/0213991 A1 8/2013 Harrelson  
 2013/0264379 A1 10/2013 Schemmel et al.  
 2015/0251828 A1 9/2015 Spivey, Sr. et al.  
 2016/0167829 A1 6/2016 Spivey, Sr. et al.  
 2016/0244202 A1 8/2016 Alexander et al.  
 2016/0272393 A1 9/2016 Kastanek et al.

FOREIGN PATENT DOCUMENTS

CA 2 542 350 5/2005  
 DE 1 192 099 4/1965  
 DE 2 323 589 11/1974  
 DE 75 10 538 8/1975  
 DE 76 06 493 6/1976  
 DE 29 33 022 2/1980  
 DE 30 07 769 9/1981  
 DE 81 35 176 5/1982  
 DE G 85 14 718.4 6/1985  
 DE G 86 29 664.7 5/1987  
 DE 36 12 594 10/1987  
 DE 91 04 905.9 6/1991  
 DE 40 23 043 12/1991  
 DE 92 03 858.1 5/1992  
 DE 94 12 885 10/1994  
 DE 94 13 813 10/1994  
 DE 295 19 931 2/1996  
 DE 296 02 010 3/1996  
 DE 299 09 008 9/1999  
 DE 29913585 10/1999  
 DE 694 21 620 4/2000  
 EP 0 235 852 9/1987  
 EP 0 323 596 7/1988  
 EP 0 341 089 A2 11/1989  
 EP 0 342 088 11/1989  
 EP 0 459 658 12/1991  
 EP 0 475 147 3/1992  
 EP 0 509 749 10/1992

EP 0 520 411 12/1992  
 EP 0 752 370 1/1997  
 EP 0 849 189 6/1998  
 EP 0 899 200 A1 3/1999  
 EP 1 060 998 12/2000  
 EP 1 262 417 12/2002  
 EP 1 334 033 B1 1/2006  
 EP 1 612 157 A2 1/2006  
 EP 1 518 792 B1 5/2011  
 EP 2 557 049 B1 5/2016  
 FR 2 549 010 1/1985  
 FR 2 581 970 11/1986  
 FR 2 698 074 5/1994  
 JP 41-18199 10/1941  
 JP 5-112373 5/1993  
 JP 9-507821 8/1997  
 JP 2003-252323 9/2003  
 KR 10-2009-0079640 7/2009  
 WO WO 88/09750 12/1988  
 WO WO 89/12008 12/1989  
 WO WO 95/01284 1/1995  
 WO WO 95/25668 9/1995  
 WO WO 96/14253 5/1996  
 WO WO 96/29260 9/1996  
 WO WO 97/21607 6/1997  
 WO WO 97/27124 7/1997  
 WO WO 98/31593 7/1998  
 WO WO 98/38099 9/1998  
 WO WO 99/64301 12/1999  
 WO WO 00/23334 4/2000  
 WO WO 00/71428 11/2000  
 WO WO 00/78634 12/2000  
 WO WO 01/28871 4/2001  
 WO WO 02/04302 1/2002  
 WO WO 02/30785 4/2002  
 WO WO 02/085739 10/2002  
 WO WO 02/102208 12/2002  
 WO WO 03/008292 1/2003  
 WO WO 03/082686 10/2003  
 WO WO 2004/043790 5/2004  
 WO WO 2004/087507 10/2004  
 WO WO 2005/042370 5/2005  
 WO WO 2005/092735 10/2005  
 WO WO 2007/019000 2/2007  
 WO WO 2007/126977 11/2007  
 WO WO 2009/015320 1/2009  
 WO WO 2013/170123 A1 11/2013  
 WO WO 2014-052514 A2 4/2014

\* cited by examiner

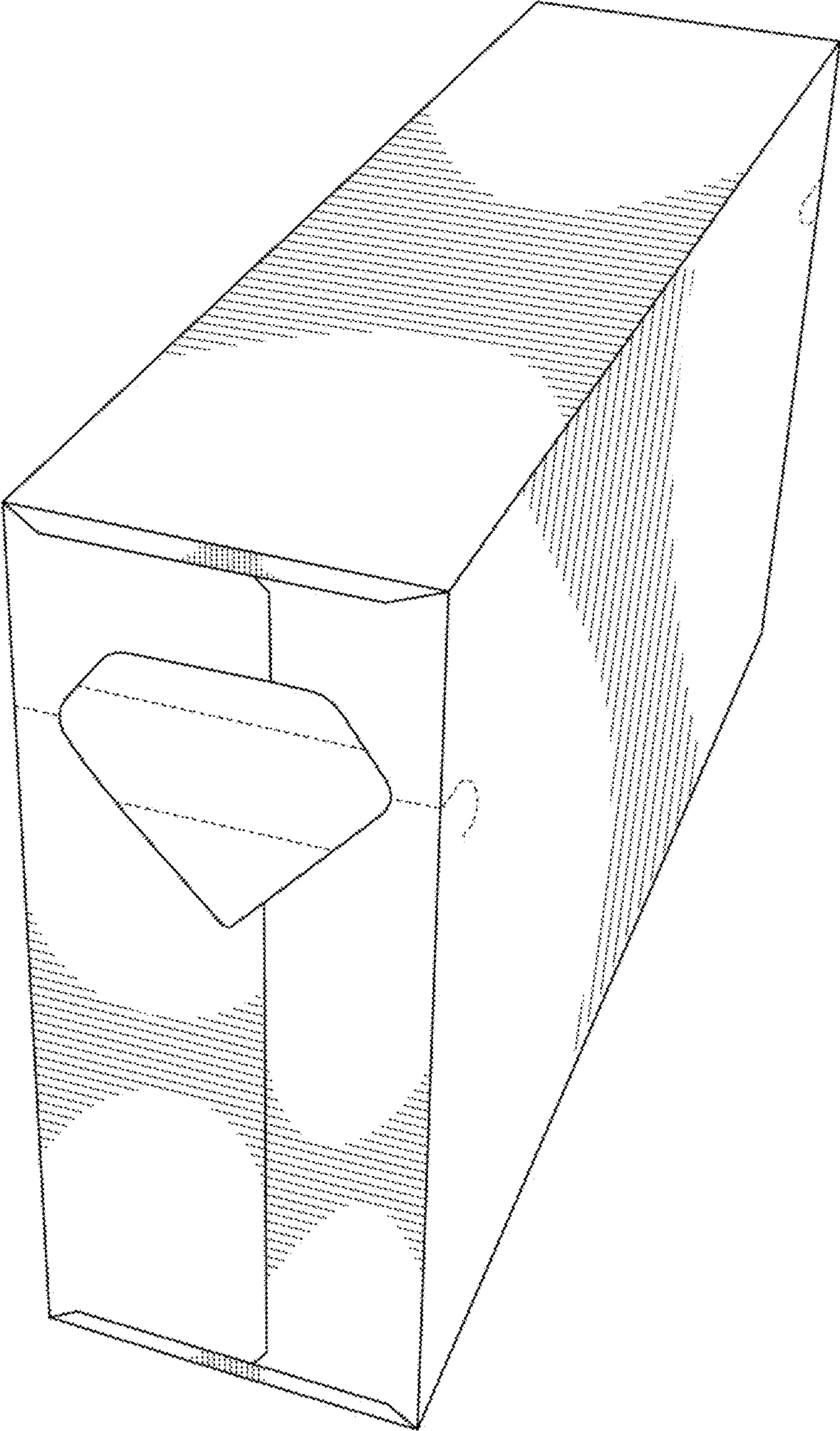


FIG. 1

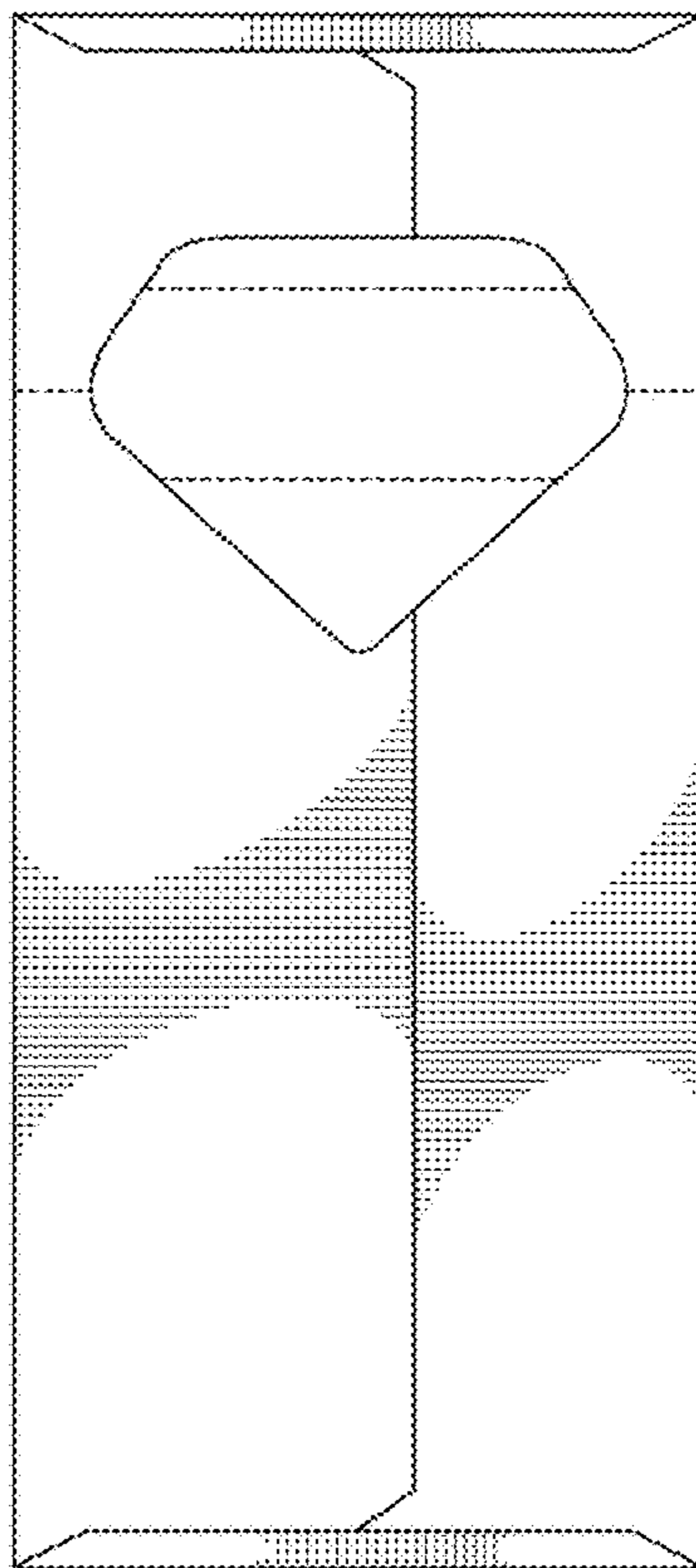


FIG. 2

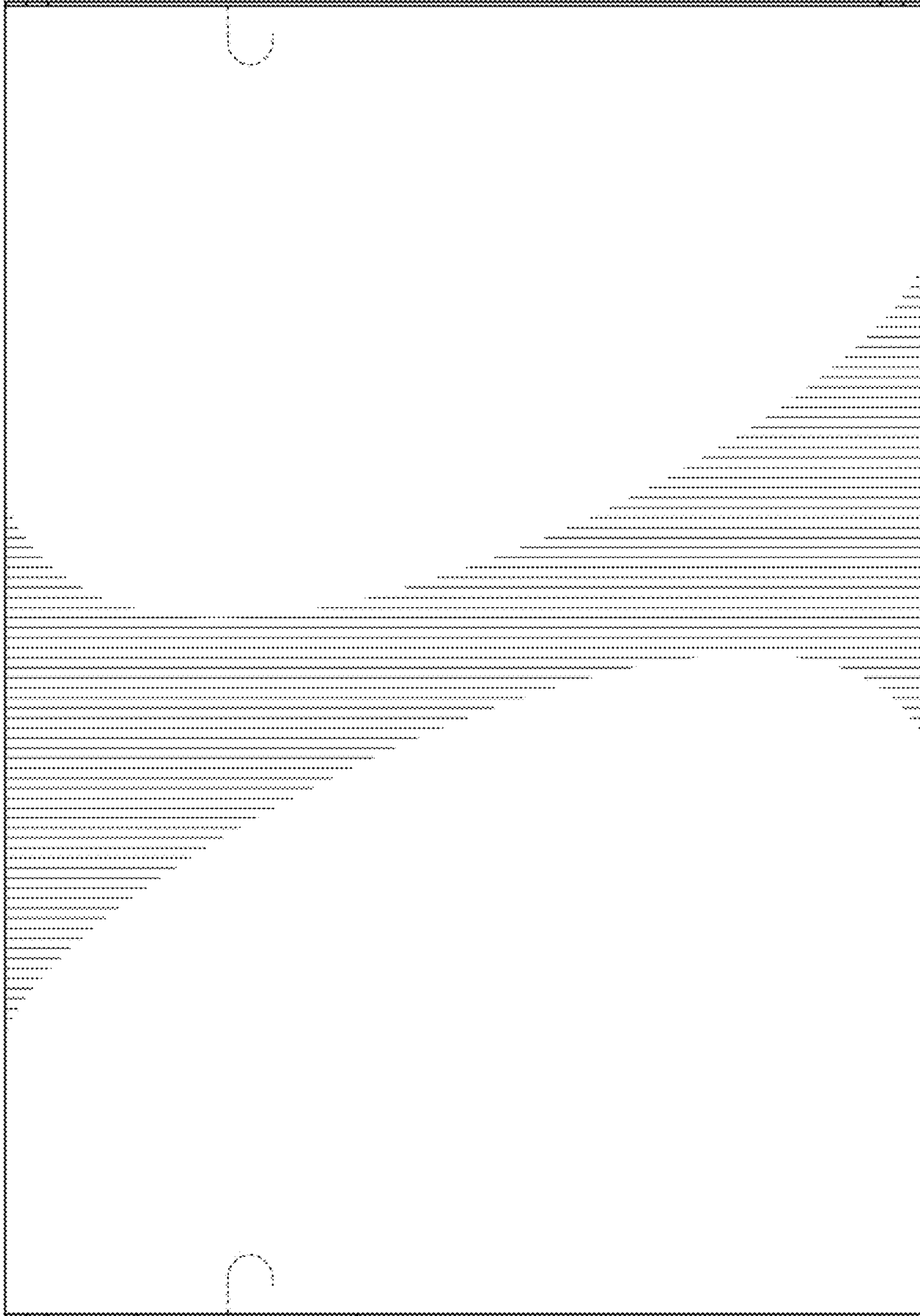


FIG. 3

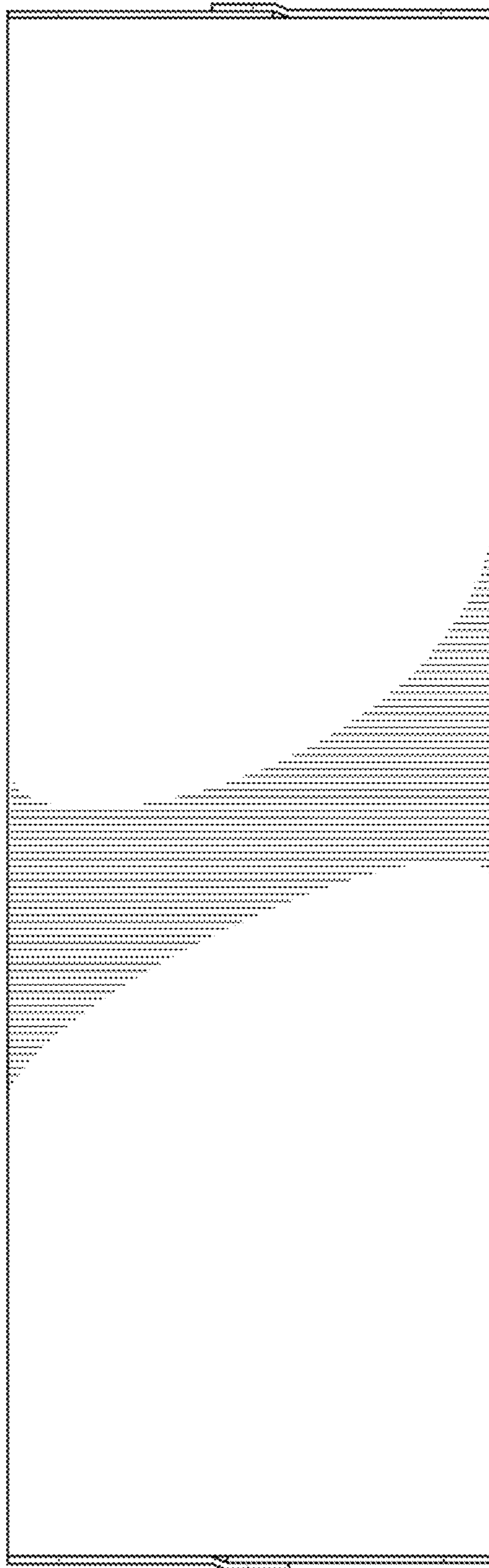


FIG. 4