



US00D811216S

(12) **United States Design Patent**  
**Garnett et al.**

(10) **Patent No.:** **US D811,216 S**  
(45) **Date of Patent:** **\*\* Feb. 27, 2018**

(54) **FOOD PACKAGE WITH LABEL**

(71) Applicant: **ConAgra Foods RDM, Inc.**, Omaha, NE (US)

(72) Inventors: **John Garnett**, Omaha, NE (US); **Lori Cerwin**, Omaha, NE (US); **Kelly Gronlund**, Omaha, NE (US); **Allison Beacon**, Omaha, NE (US); **Evan Brockman**, Omaha, NE (US); **Dan Ahern**, Carol Stream, IL (US); **William Faulkner**, Atlanta, GA (US); **Alan Belcher**, Omaha, NE (US)

(73) Assignee: **ConAgra Foods RDM, Inc.**, Omaha, NE (US)

(\*\*) Term: **15 Years**

(21) Appl. No.: **29/579,901**

(22) Filed: **Oct. 4, 2016**

(51) **LOC (11) Cl.** ..... **09-03**

(52) **U.S. Cl.**  
USPC ..... **D9/431**

(58) **Field of Classification Search**  
USPC ..... D9/414-419, 420-423, 430-434,  
D9/720-722, 733, 734, 737, 761;  
D3/290, 304, 305, 315; D20/10, 22, 27,  
D20/40  
CPC ..... B65D 5/00; B65D 5/0015; B65D 5/061;  
B65D 5/18; B65D 5/20; B65D 5/32;  
B65D 5/321; B65D 5/322  
See application file for complete search history.

(56) **References Cited**

**U.S. PATENT DOCUMENTS**

D562,126 S \* 2/2008 Kienemund-Paroll ..... D9/418  
D571,653 S \* 6/2008 Kienemund-Paroll ..... D9/418  
D602,772 S \* 10/2009 Suzuki ..... D9/434  
D630,508 S \* 1/2011 Hubbard, Jr. .... D9/431  
D695,104 S \* 12/2013 Sill ..... D9/418

D764,281 S \* 8/2016 Mayer ..... D9/420  
D769,114 S \* 10/2016 Montemayor ..... D9/431  
D771,486 S \* 11/2016 Mayer ..... D9/418  
D775,947 S \* 1/2017 Epstein ..... D9/433

(Continued)

**OTHER PUBLICATIONS**

ConAgra Foods innovation Wicked Kitchen. [online] Retrieved Sep. 19, 2017 from URL: <http://www.foodbusinessnews.net/Resources/Slideshow/2016/10/ConAgra-Foods-innovation/Wicked-Kitchen.aspx?TipID=2&cck=1>.\*

(Continued)

*Primary Examiner* — Vy N Koenig

(74) *Attorney, Agent, or Firm* — Ryan T. Grace; Advent, LLP

(57) **CLAIM**

The ornamental design for a food package with label, as shown and described.

**DESCRIPTION**

FIG. 1 is a top plan view of a food package with label showing our new design.

FIG. 2 is a bottom view of the food package with label of FIG. 1.

FIG. 3 is a left side elevation view of the food package with label of FIG. 1.

FIG. 4 is a right side elevation view of the food package with label of FIG. 1.

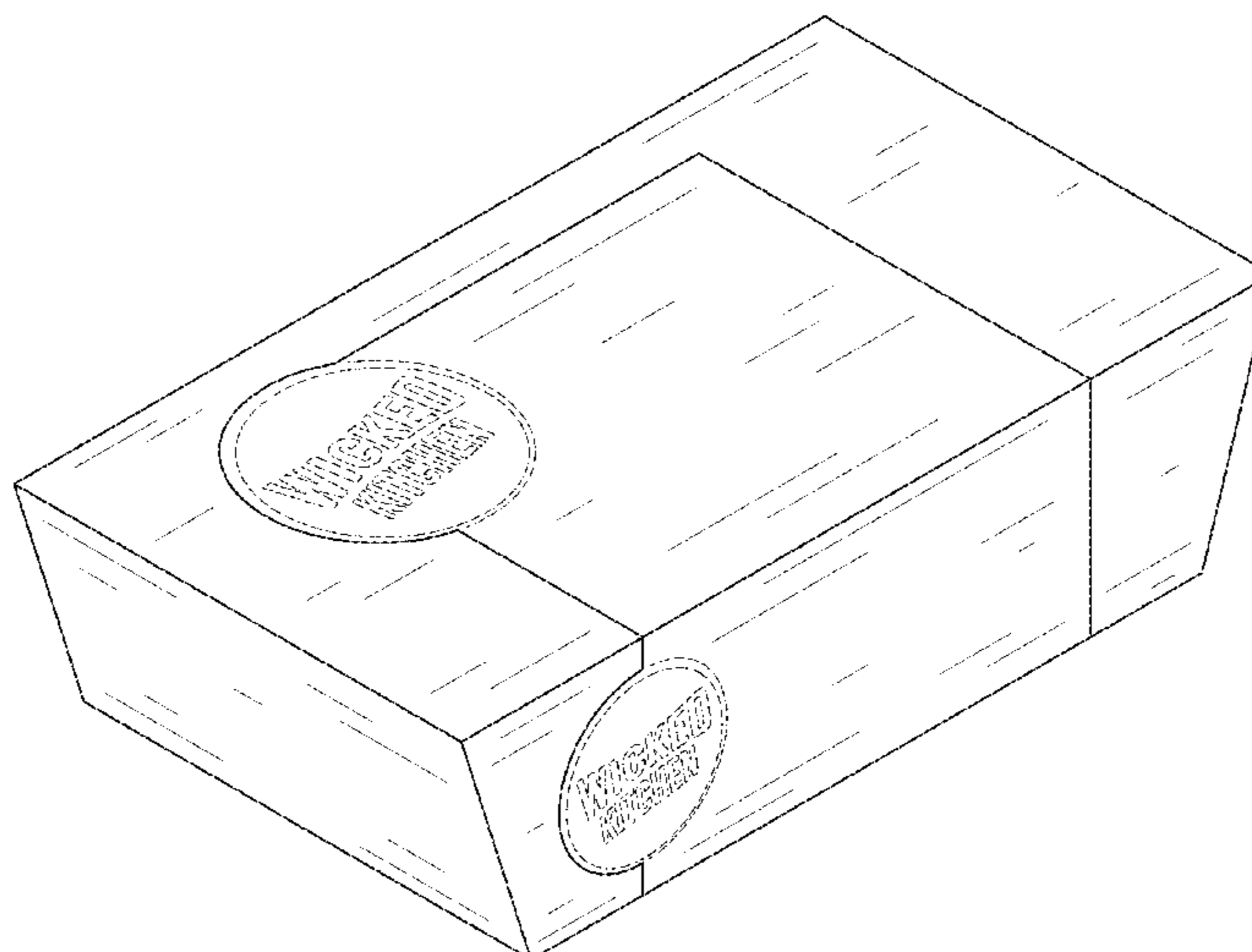
FIG. 5 is a front elevation view of the food package with label of FIG. 1.

FIG. 6 is a rear elevation view of the food package with label of FIG. 1; and,

FIG. 7 is an isometric view of the food package with label of FIG. 1.

The broken lines shown in FIGS. 1 through 7 depict portions of the food package with label that form no part of the claimed design.

**1 Claim, 7 Drawing Sheets**



(56)

**References Cited**

U.S. PATENT DOCUMENTS

D787,933 S \* 5/2017 Sill ..... D9/418  
D792,761 S \* 7/2017 Duval ..... D9/431

OTHER PUBLICATIONS

Wicked Kitchen Hatch Chili. [online] Retrieved Sep. 19, 2017 from  
URL:<https://www.amazon.com/Wicked-Kitchen-Hatch-Cheese-frozen/dp/B0721T2C13>.\*

\* cited by examiner

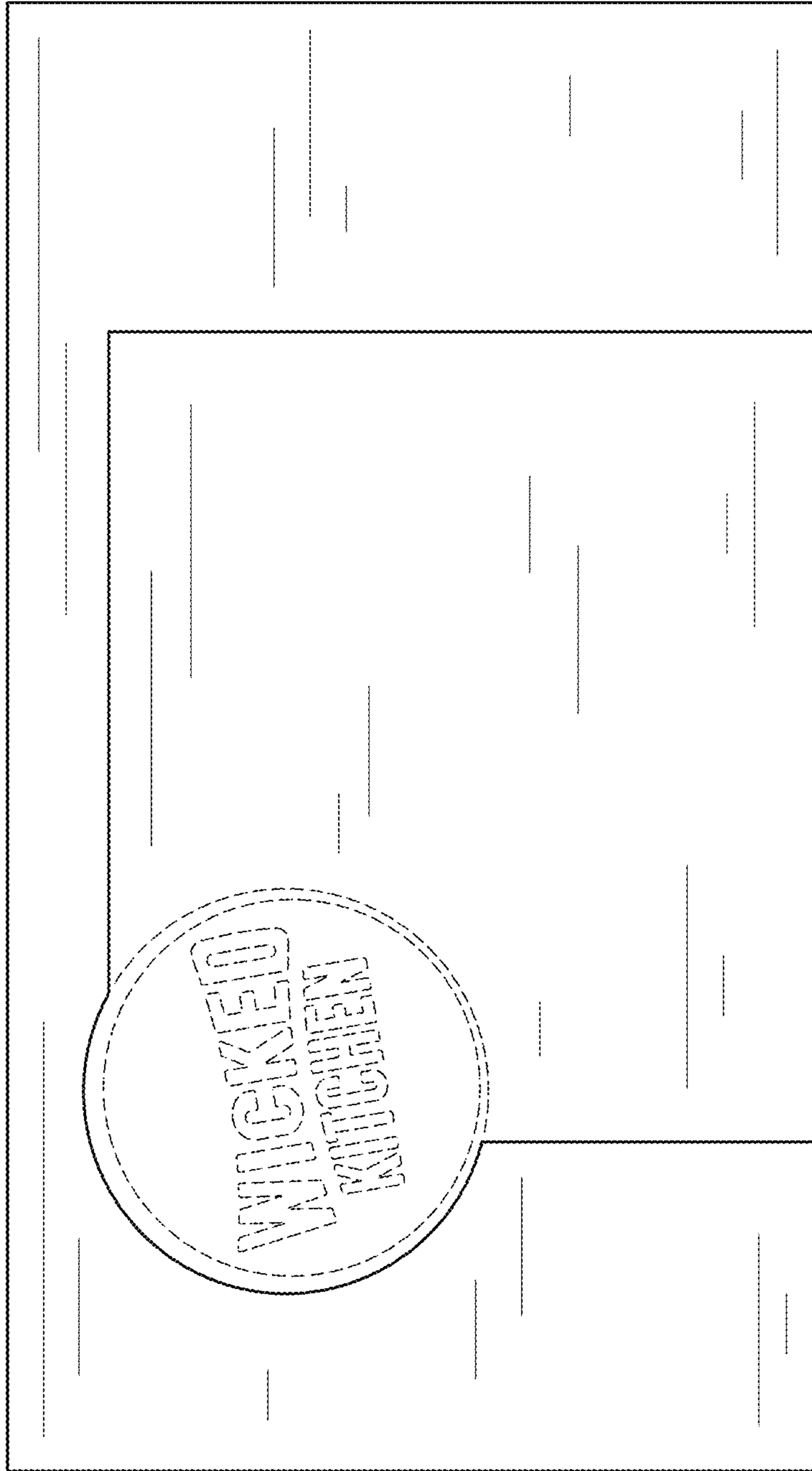


FIG. 1

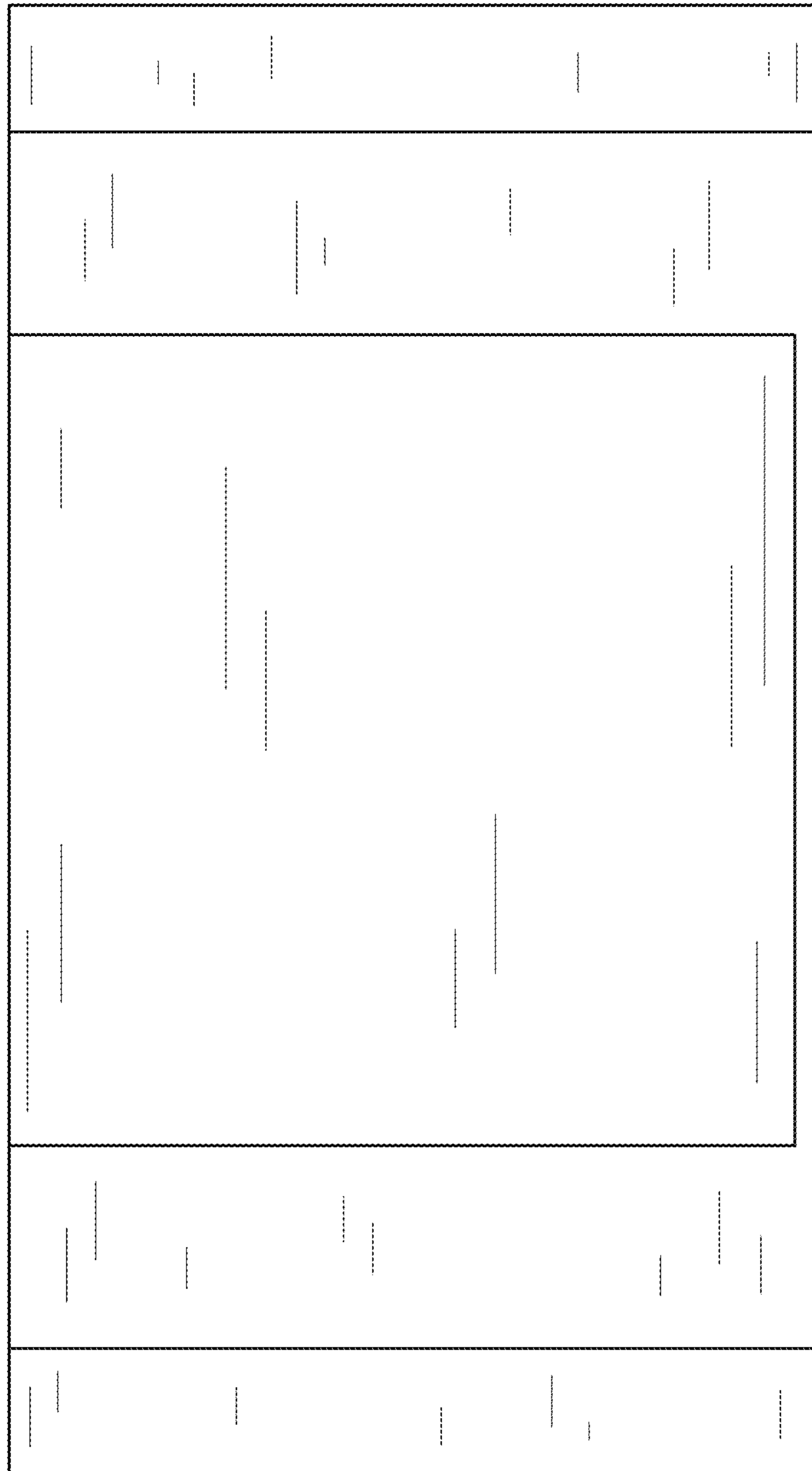
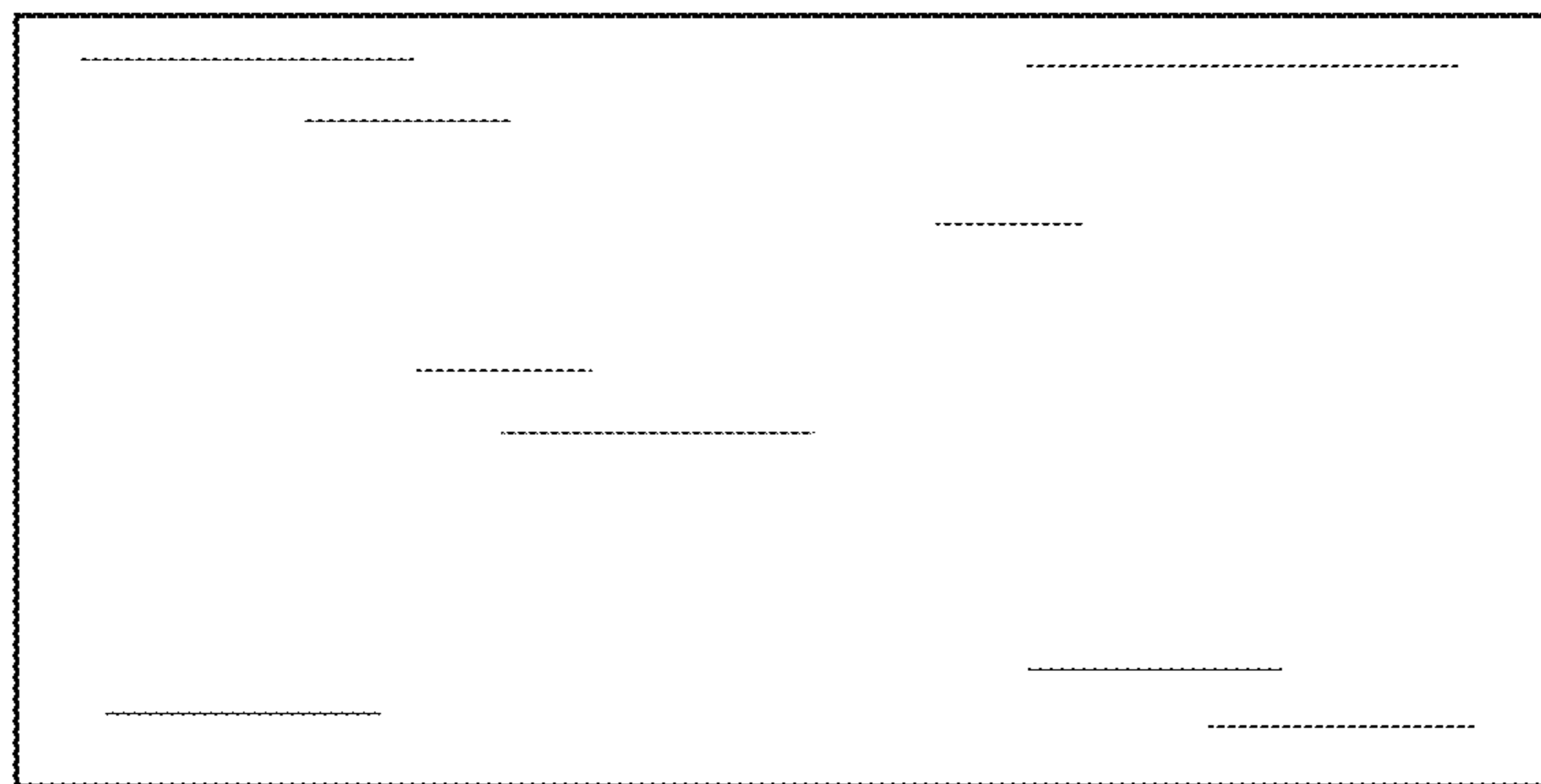
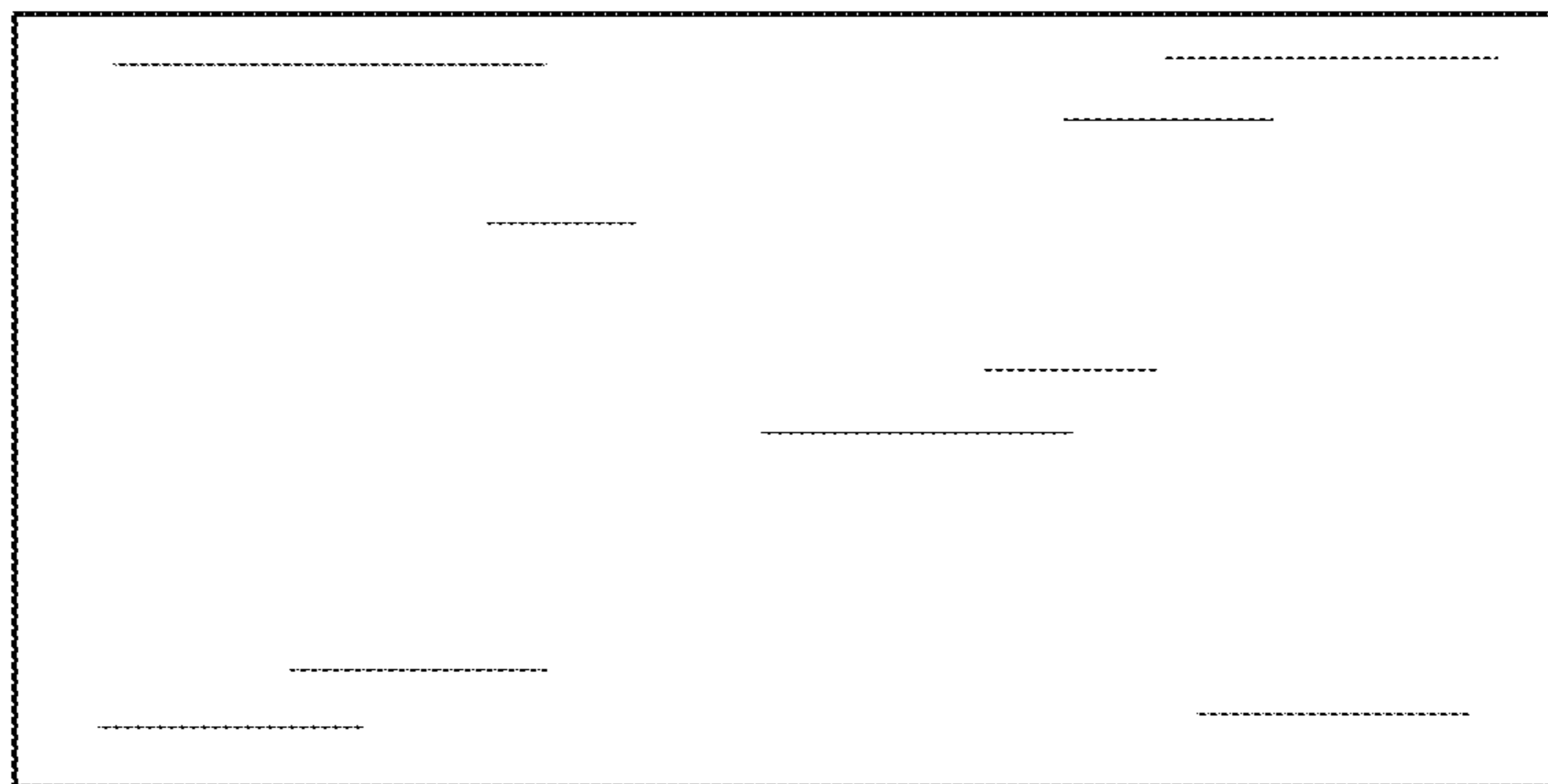


FIG. 2



**FIG. 3**



**FIG. 4**

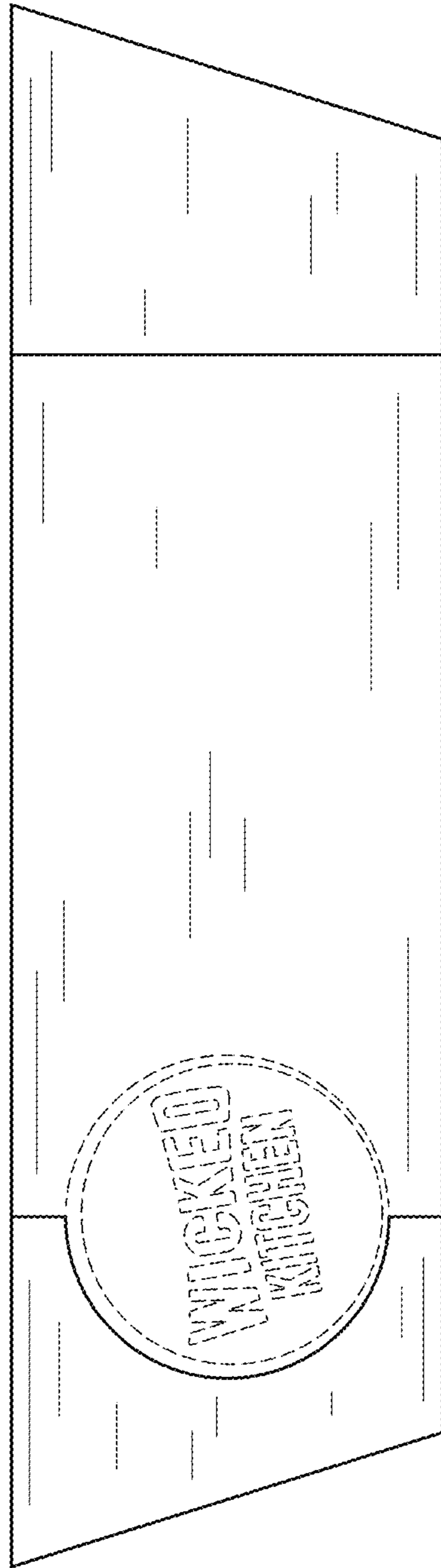


FIG. 5

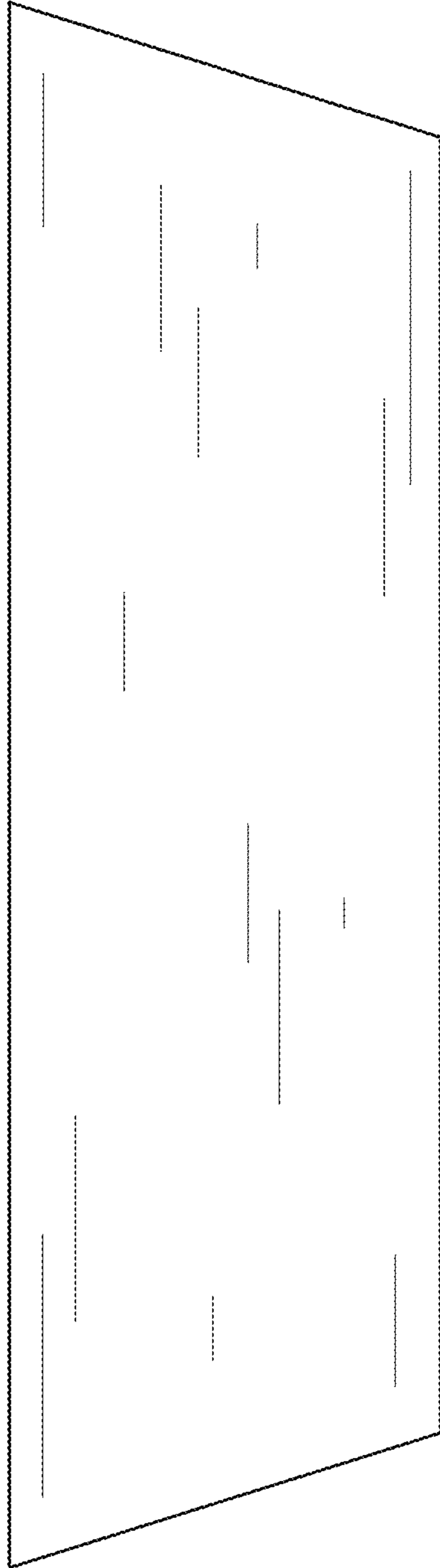


FIG. 6



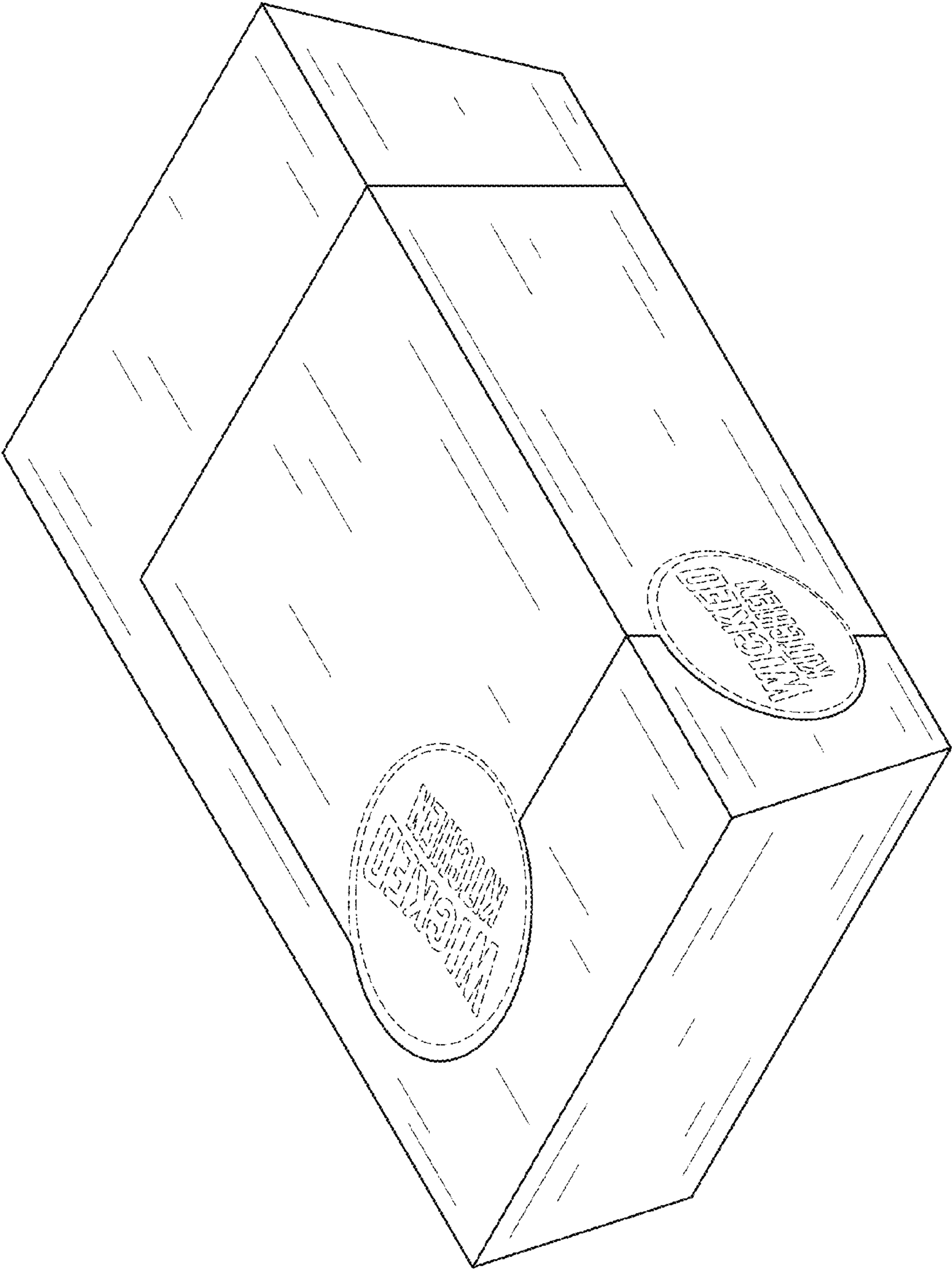


FIG. 7