

US00D811214S

(12) **United States Design Patent**
Wu

(10) **Patent No.:** **US D811,214 S**

(45) **Date of Patent:** **** Feb. 27, 2018**

(54) **COMBINED CONTAINER WITH LID**

(71) Applicant: **Jingdong Wu**, Taishan (CN)

(72) Inventor: **Jingdong Wu**, Taishan (CN)

(**) Term: **15 Years**

(21) Appl. No.: **29/565,758**

(22) Filed: **May 24, 2016**

(51) **LOC (11) Cl.** **09-03**

(52) **U.S. Cl.**
USPC **D9/428**

(58) **Field of Classification Search**
USPC D7/396.1, 538-545, 602, 608, 629;
D9/414, 420, 424-429, 432, 761;
206/499, 508, 557; 220/23.4, 23.6, 315,
220/500, 659, 669, 674, 675, 696, 752,
220/760, 790, 793; 229/105, 117.09,
229/117.26, 189, 406, 407, 902, 905
CPC B65D 1/26; B65D 1/40; B65D 81/3453;
B65D 2581/34; B65D 2581/3404; B65D
2581/3456

See application file for complete search history.

(56) **References Cited**

U.S. PATENT DOCUMENTS

3,229,886	A *	1/1966	Grogel	A21B 3/13
					220/608
D235,302	S *	6/1975	Lanigan	220/574
D452,155	S *	12/2001	Stodd	D9/434
D475,571	S *	6/2003	Hopkins	D7/359
D502,058	S *	2/2005	Stilz	D7/554.2
D574,661	S *	8/2008	Logan	D7/354
D613,556	S *	4/2010	Sierra	D7/584

D630,897	S *	1/2011	Jarvis	D7/407
D696,111	S *	12/2013	Sundy	D9/429
D722,275	S *	2/2015	Lee	D9/703

OTHER PUBLICATIONS

Sabert FreshPack Clear Flat Round Lid for Shallow and Round Bowls, announced Dec. 2014, [online], site visited Jun. 12, 2017. Available from Internet, <URL: <http://www.webstaurantstore.com>>.*

* cited by examiner

Primary Examiner — Derrick E Holland
Assistant Examiner — Janice Julia Patyk
(74) *Attorney, Agent, or Firm* — Schmeiser, Olsen & Watts, LLP

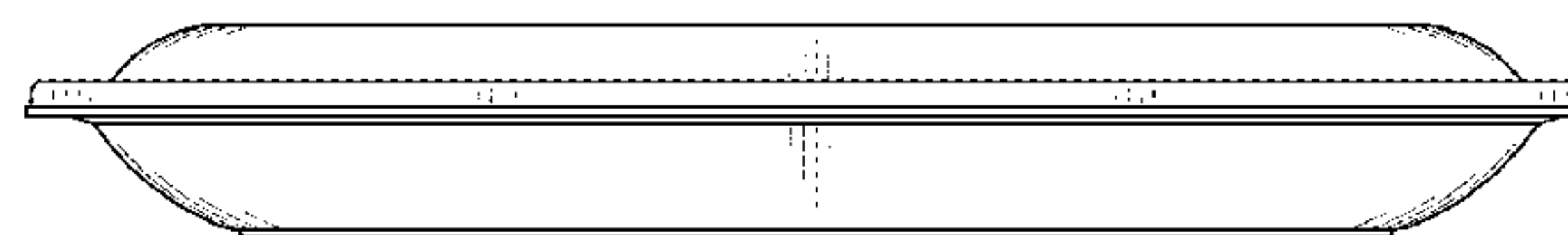
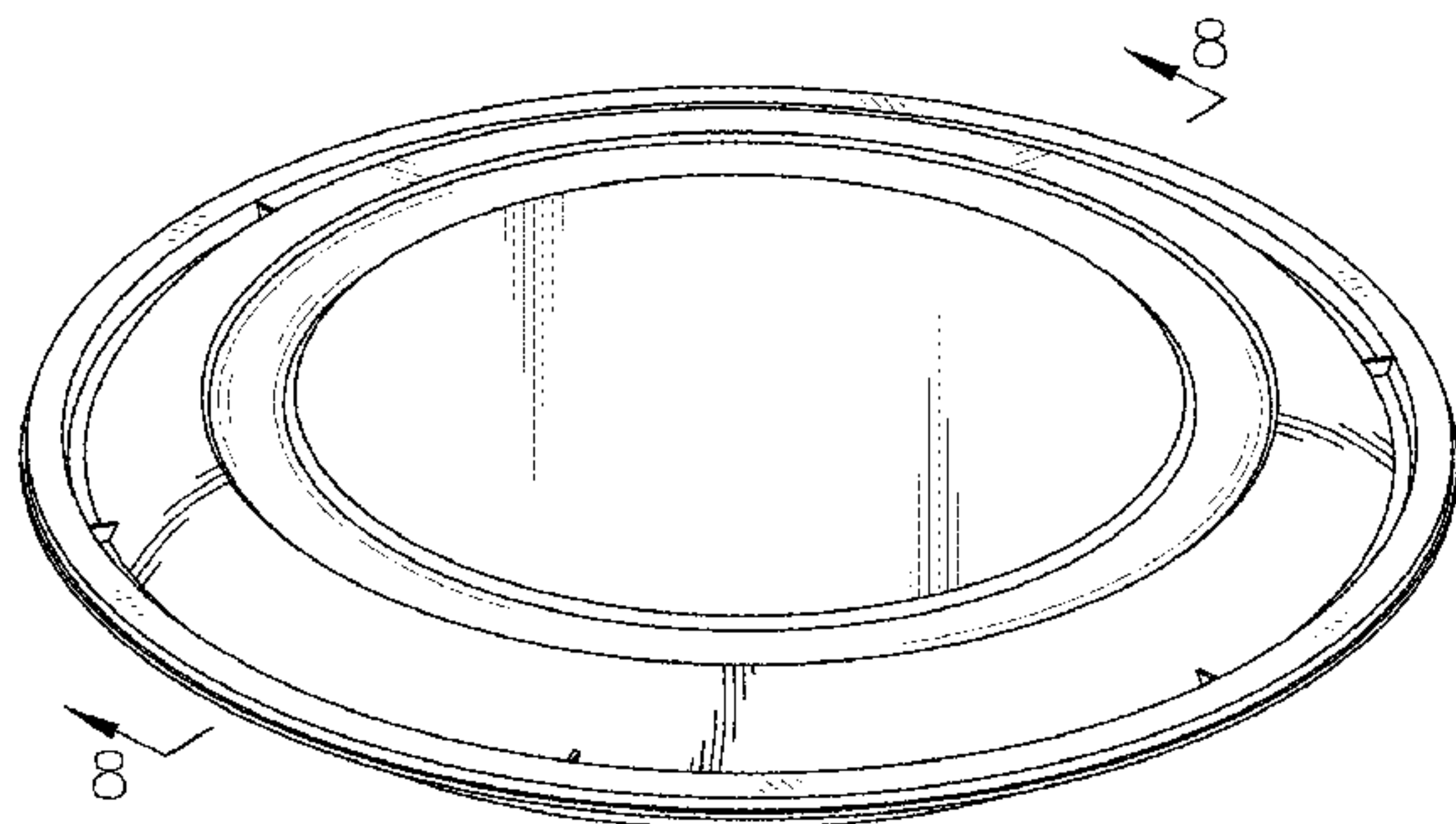
(57) **CLAIM**

The ornamental design for a combined container with lid, as shown and described.

DESCRIPTION

FIG. 1 is a top front perspective view of a combined container with lid showing my new design;
FIG. 2 is a top view thereof;
FIG. 3 is a bottom view thereof;
FIG. 4 is a front view thereof, the rear view and the side view being the same;
FIG. 5 is a bottom front perspective view thereof;
FIG. 6 is an exploded top, front perspective view thereof;
FIG. 7 is a an exploded, front bottom perspective view thereof; and,
FIG. 8 is a cross-sectional view thereof taken along line 8-8 of FIG. 1.

1 Claim, 8 Drawing Sheets



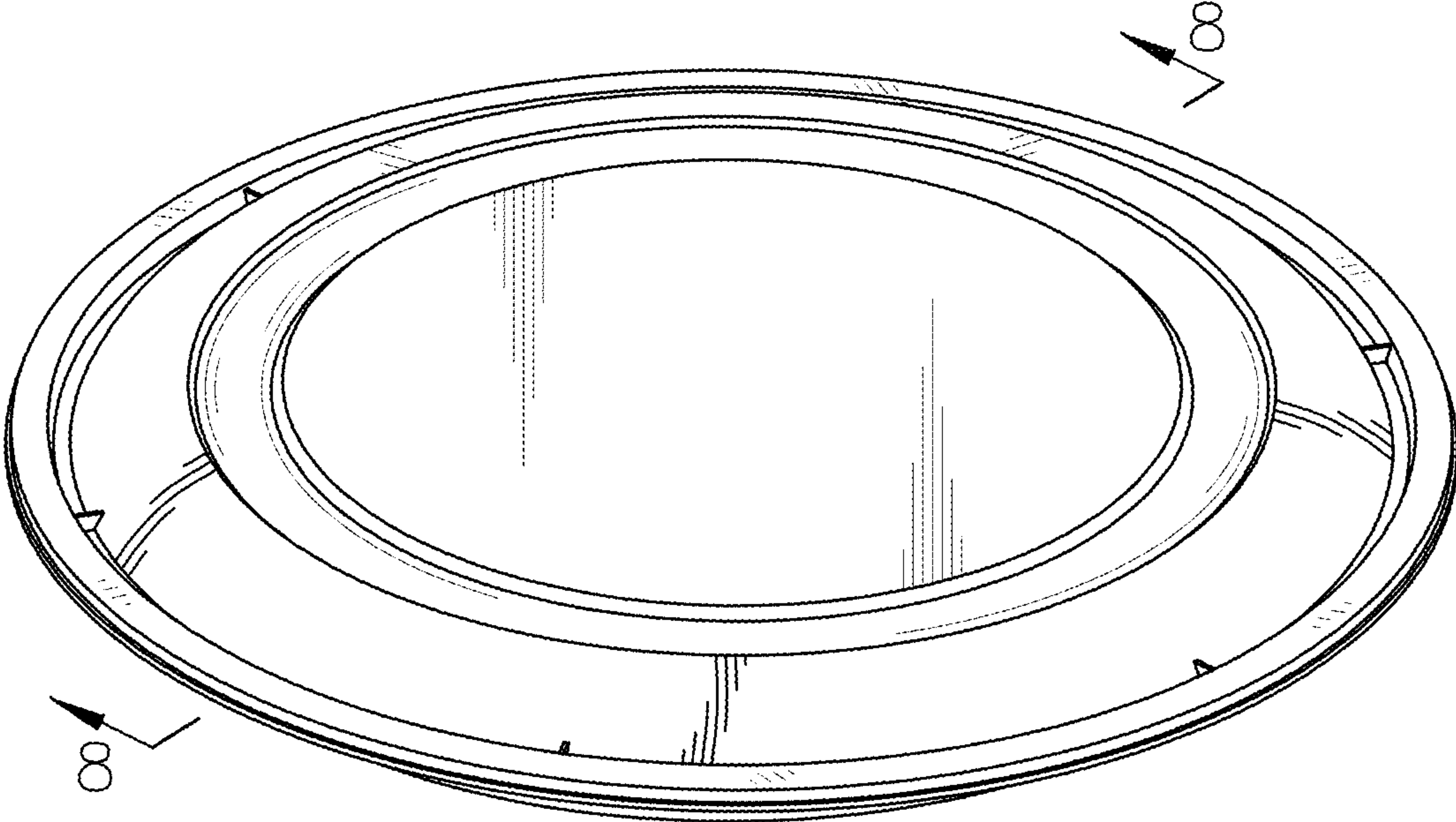


FIG. 1

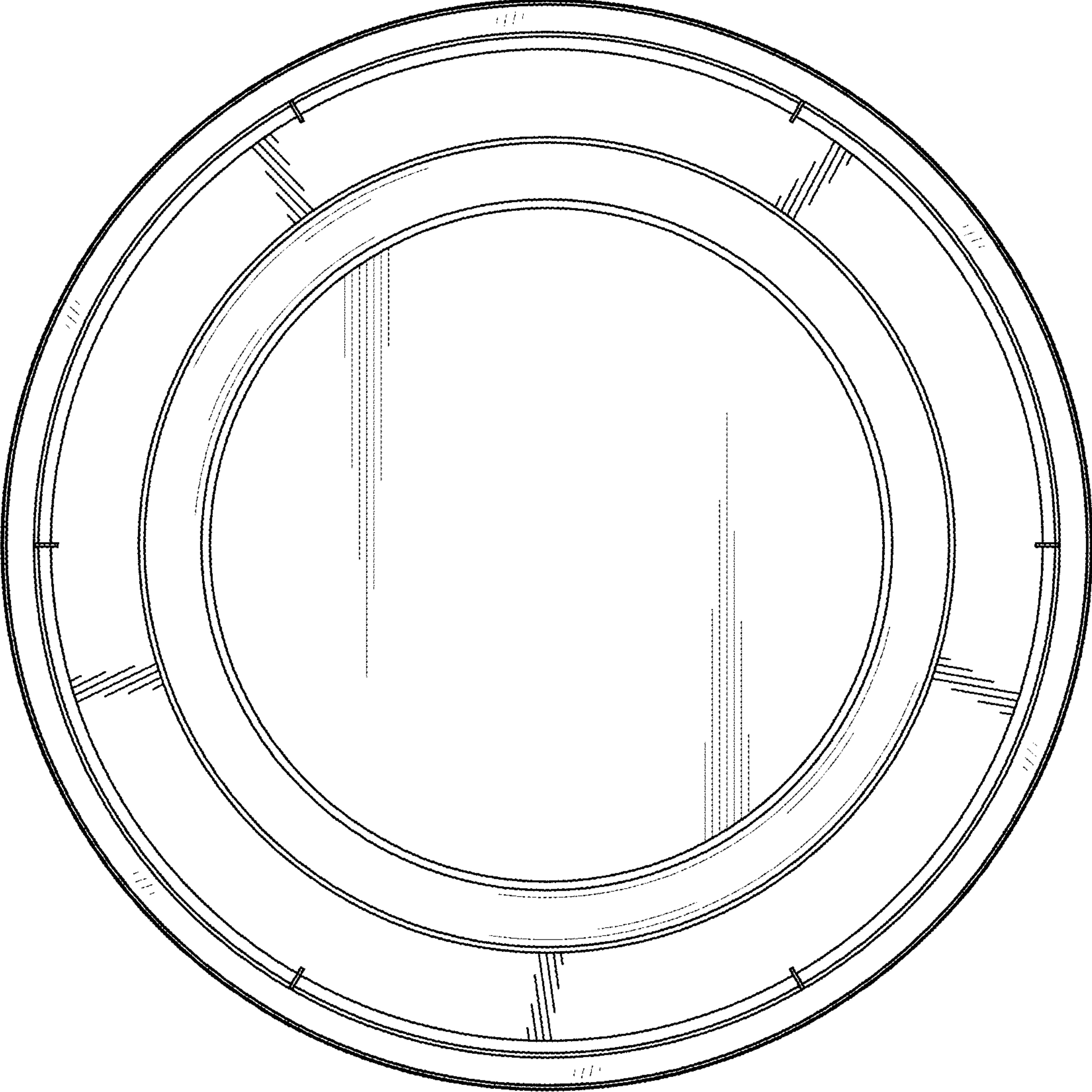


FIG. 2

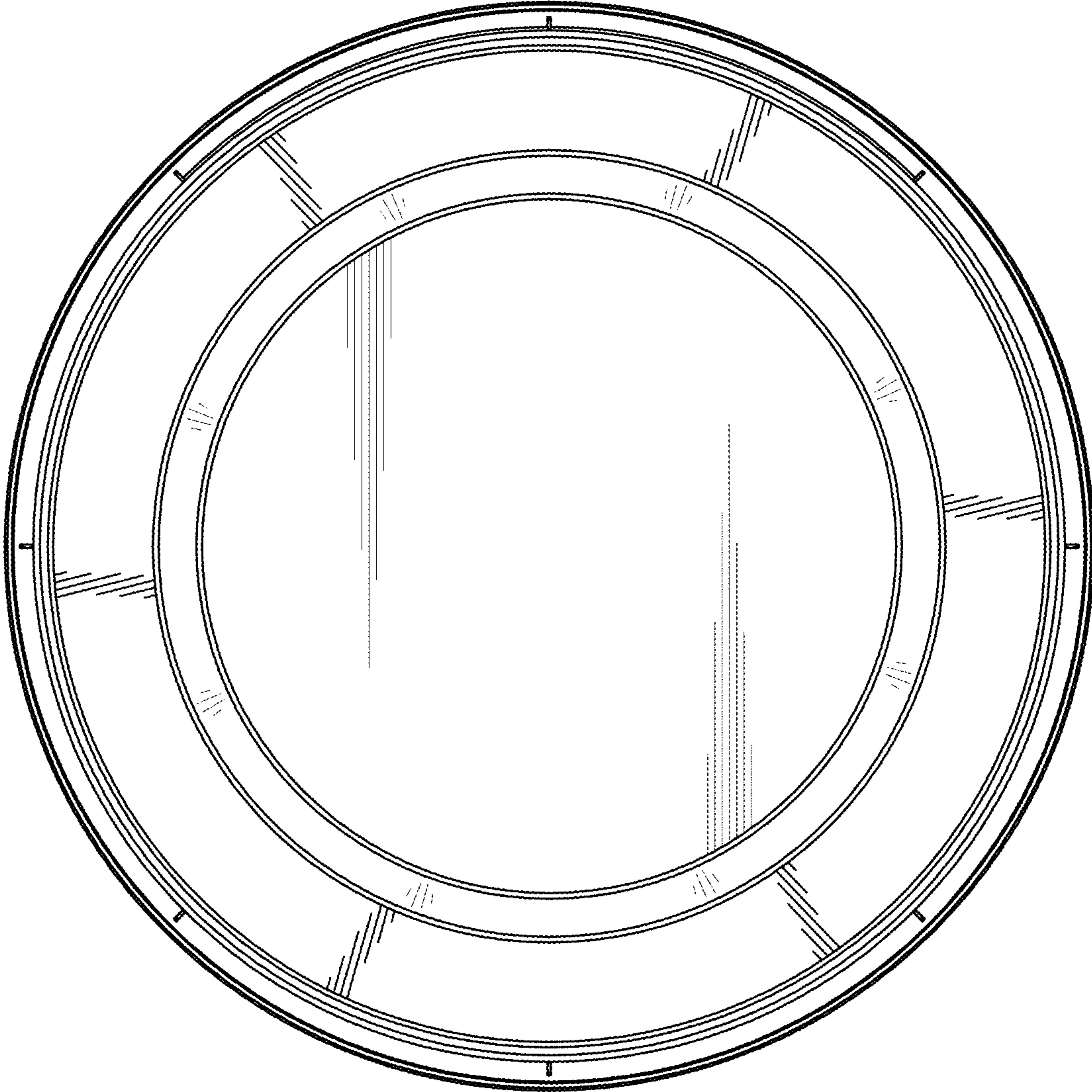


FIG. 3

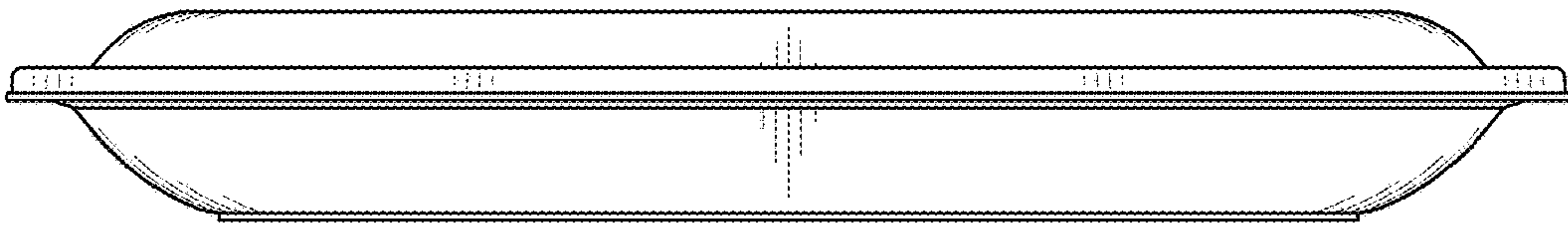


FIG. 4

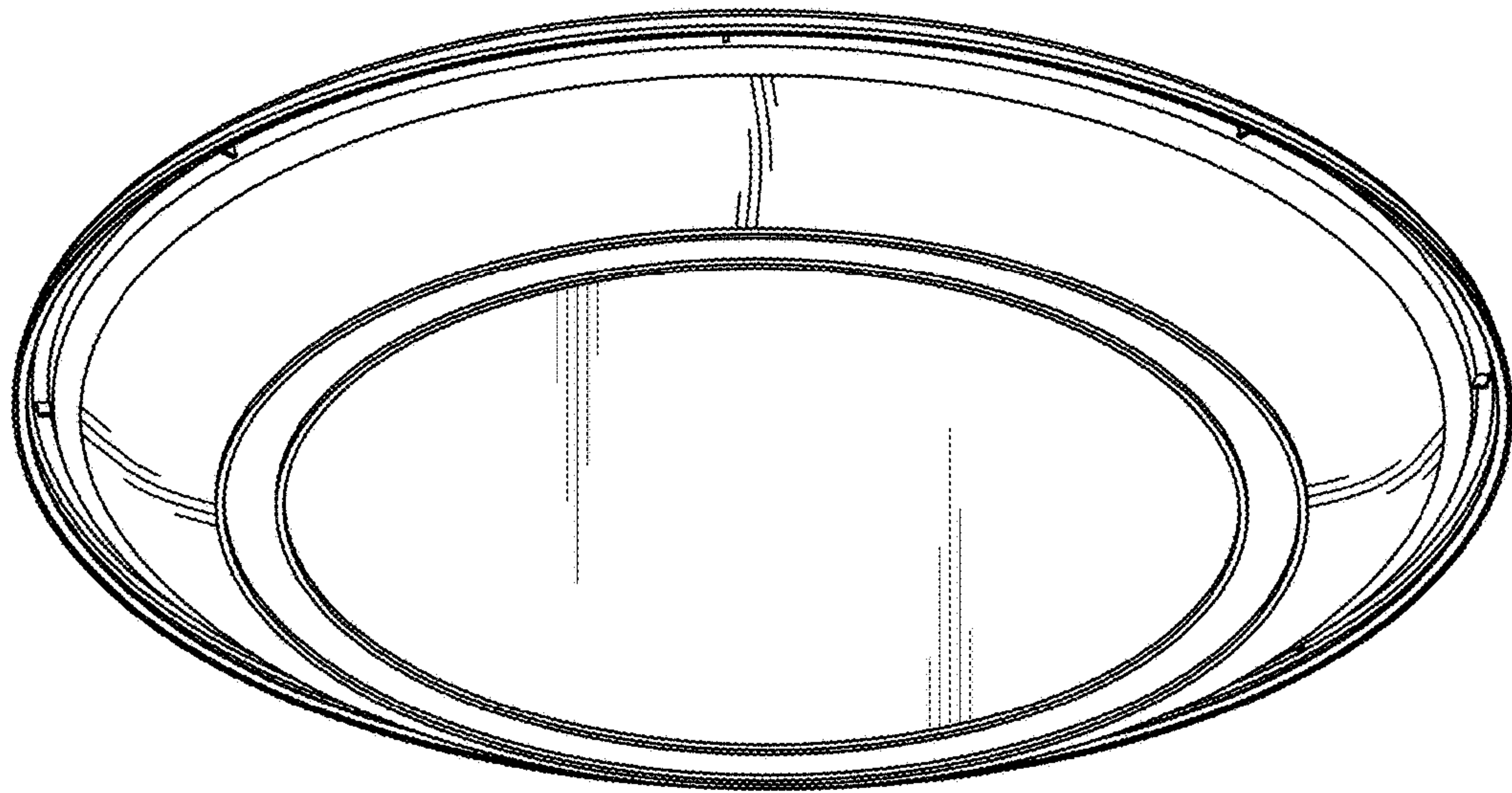


FIG. 5

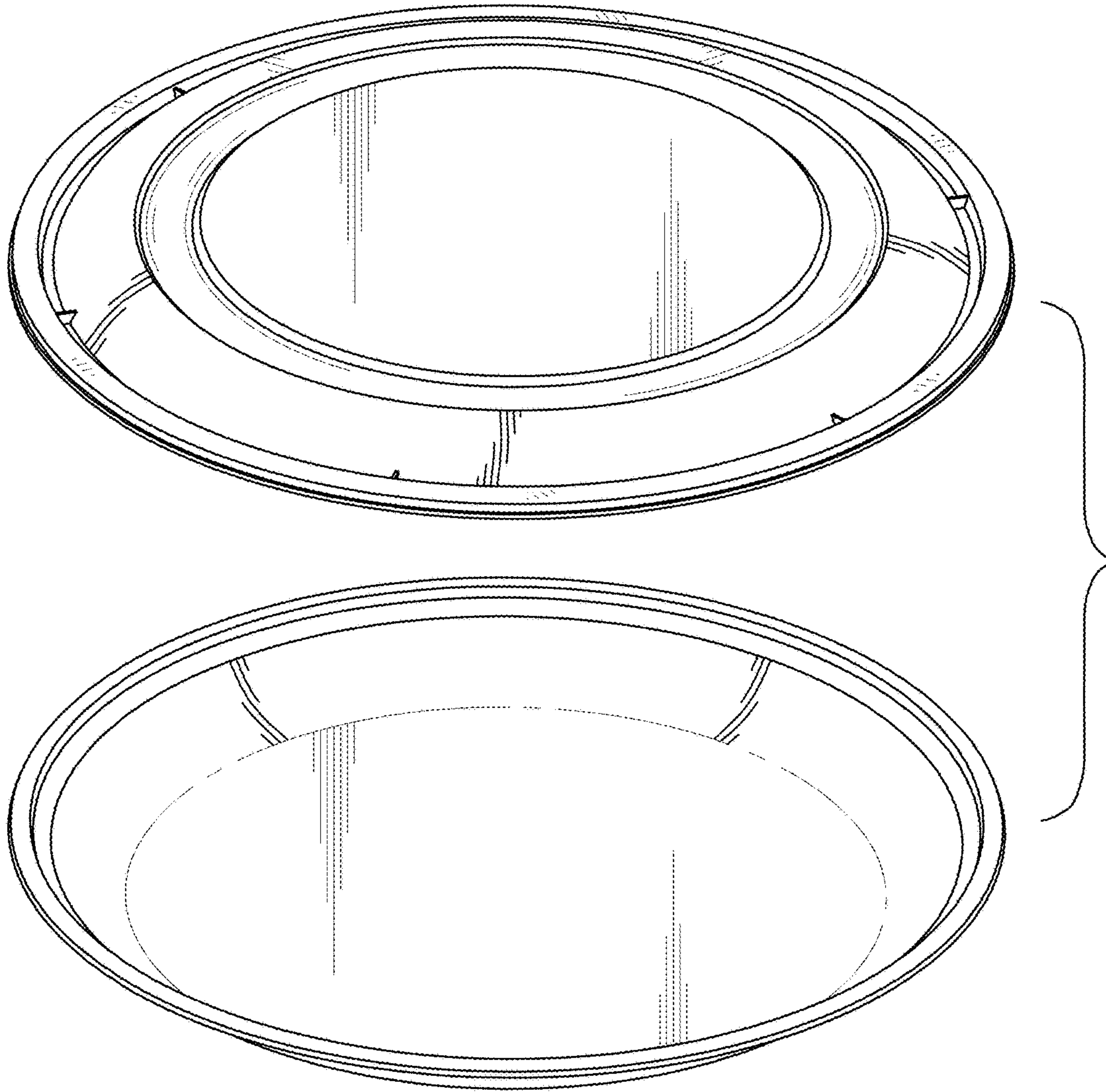


FIG. 6

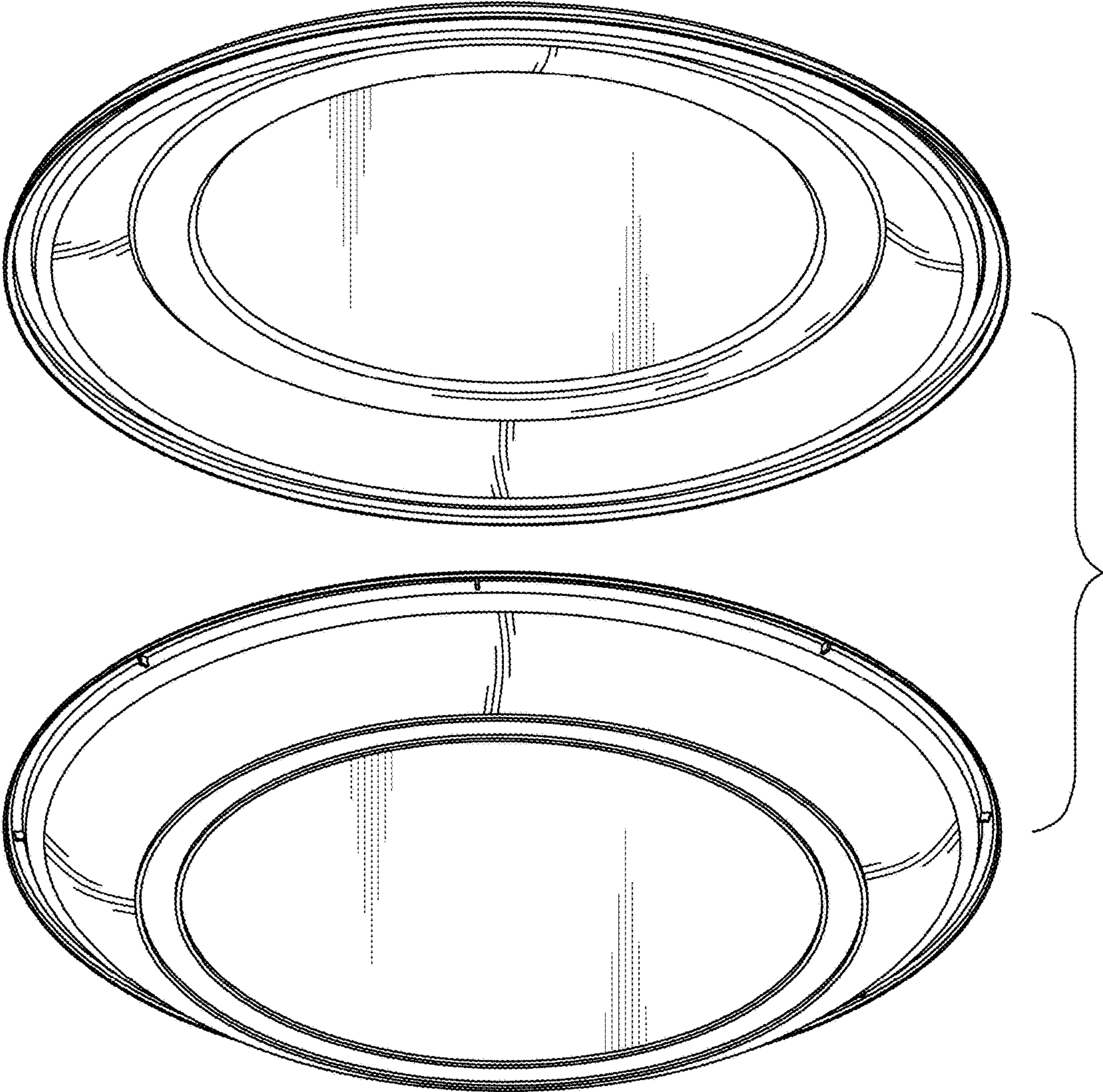


FIG. 7

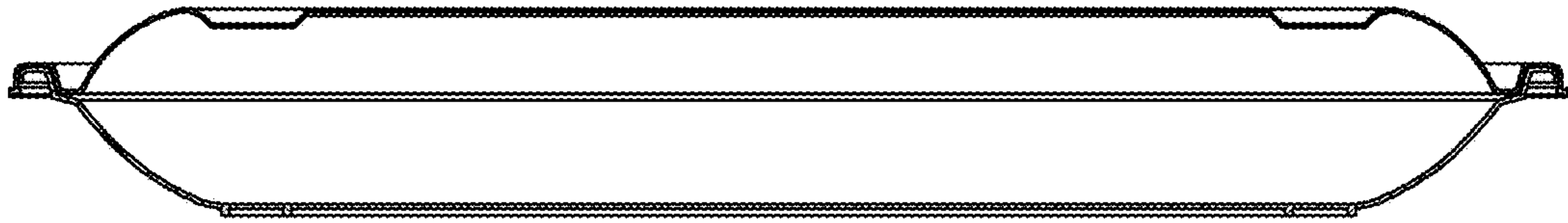


FIG. 8