



US00D811213S

(12) **United States Design Patent**  
**Pickard et al.**

(10) **Patent No.:** **US D811,213 S**  
(45) **Date of Patent:** **\*\* Feb. 27, 2018**

(54) **PACKAGING CONTAINER FOR PRODUCE**

FOREIGN PATENT DOCUMENTS

(71) Applicant: **ORORA PACKAGING SOLUTIONS**,  
Buena Park, CA (US)

JP 06-071478 10/1994  
WO WO 2015/076490 5/2015

(72) Inventors: **Keith Pickard**, Ontario (CA); **Charles Erway**, Cadillac, MI (US)

OTHER PUBLICATIONS

(73) Assignee: **ORORA PACKAGING SOLUTIONS**,  
Buena Park, CA (US)

International Search Report and Written Opinion for PCT/US2017/024023 dated Jun. 26, 2017, 14 pgs.

(Continued)

(\*\*) Term: **15 Years**

*Primary Examiner* — Derrick Holland

(21) Appl. No.: **29/595,607**

*Assistant Examiner* — Janice Lim

(22) Filed: **Feb. 28, 2017**

(74) *Attorney, Agent, or Firm* — Martin & Ferraro, LLP

**Related U.S. Application Data**

(57) **CLAIM**

The ornamental design for a packaging container for produce, as shown and described.

(62) Division of application No. 29/562,176, filed on Apr. 22, 2016, now Pat. No. Des. 789,195.

**DESCRIPTION**

(51) **LOC (11) Cl.** ..... **09-03**

(52) **U.S. Cl.**  
USPC ..... **D9/425**

(58) **Field of Classification Search**  
USPC ..... D7/602, 608, 629; D9/424–426, 429, D9/432; 206/501–509; 220/781, 791, 220/793, 811–813, 835, 839  
CPC ..... B65D 1/24; B65D 25/04; B65D 43/03; B65D 43/16; B65D 43/0212  
See application file for complete search history.

FIG. 1 is a top, front, and right side perspective view of a packaging container for produce in accordance with the present invention;  
FIG. 2 is a bottom, rear, and left side perspective view of the packaging container for produce of FIG. 1;  
FIG. 3 is a front elevational view of the packaging container for produce of FIG. 1;  
FIG. 4 is a rear elevational view of the packaging container for produce of FIG. 1;  
FIG. 5 is a left side elevational view of the packaging container for produce of FIG. 1;  
FIG. 6 is a right side elevational view of the packaging container for produce of FIG. 1;  
FIG. 7 is a top plan view of the packaging container for produce of FIG. 1;  
FIG. 8 is a bottom plan view of the packaging container for produce of FIG. 1; and,  
FIG. 9 is a cross-sectional view of the packaging container for produce of FIG. 1, taken along line 9-9 in FIG 7.

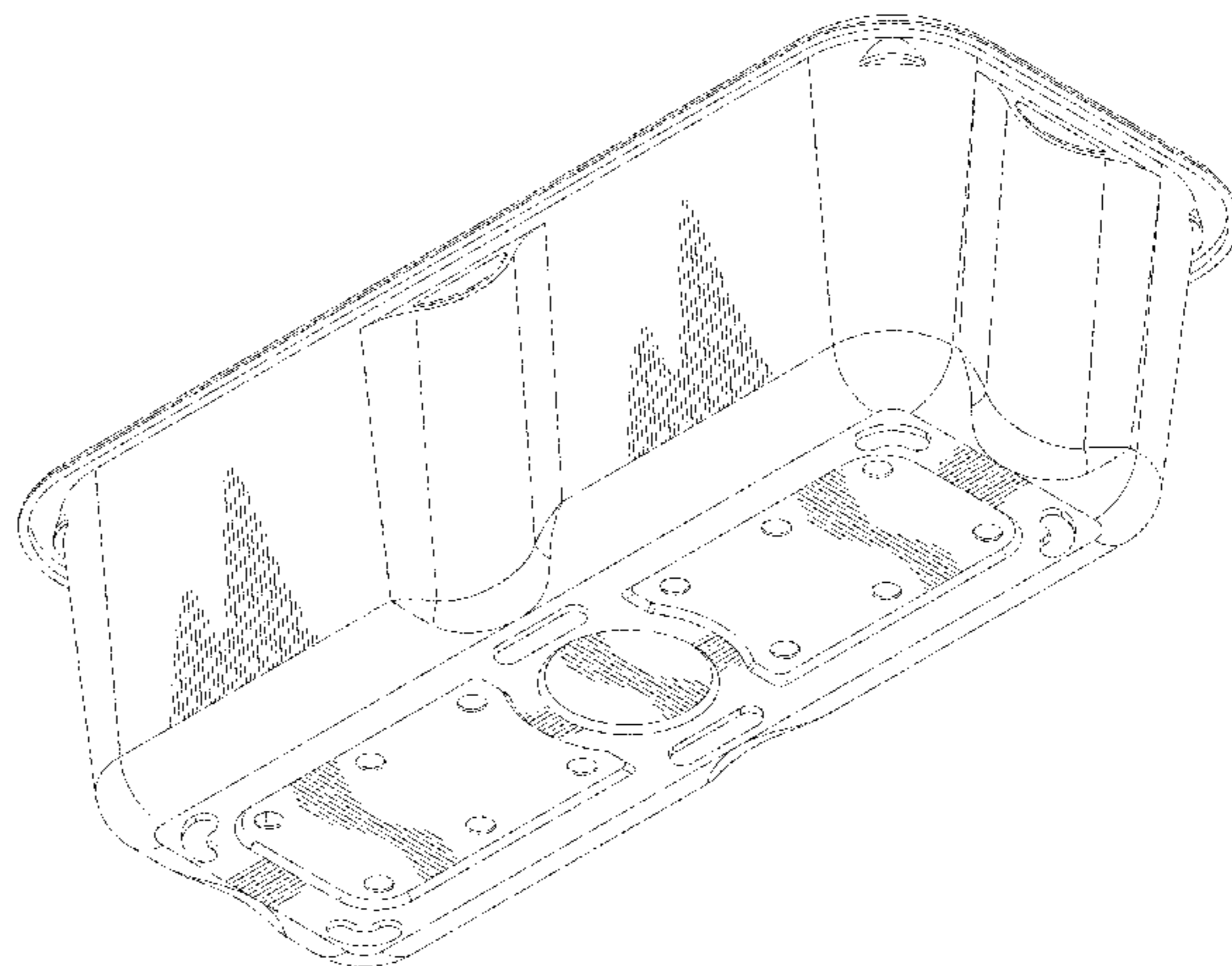
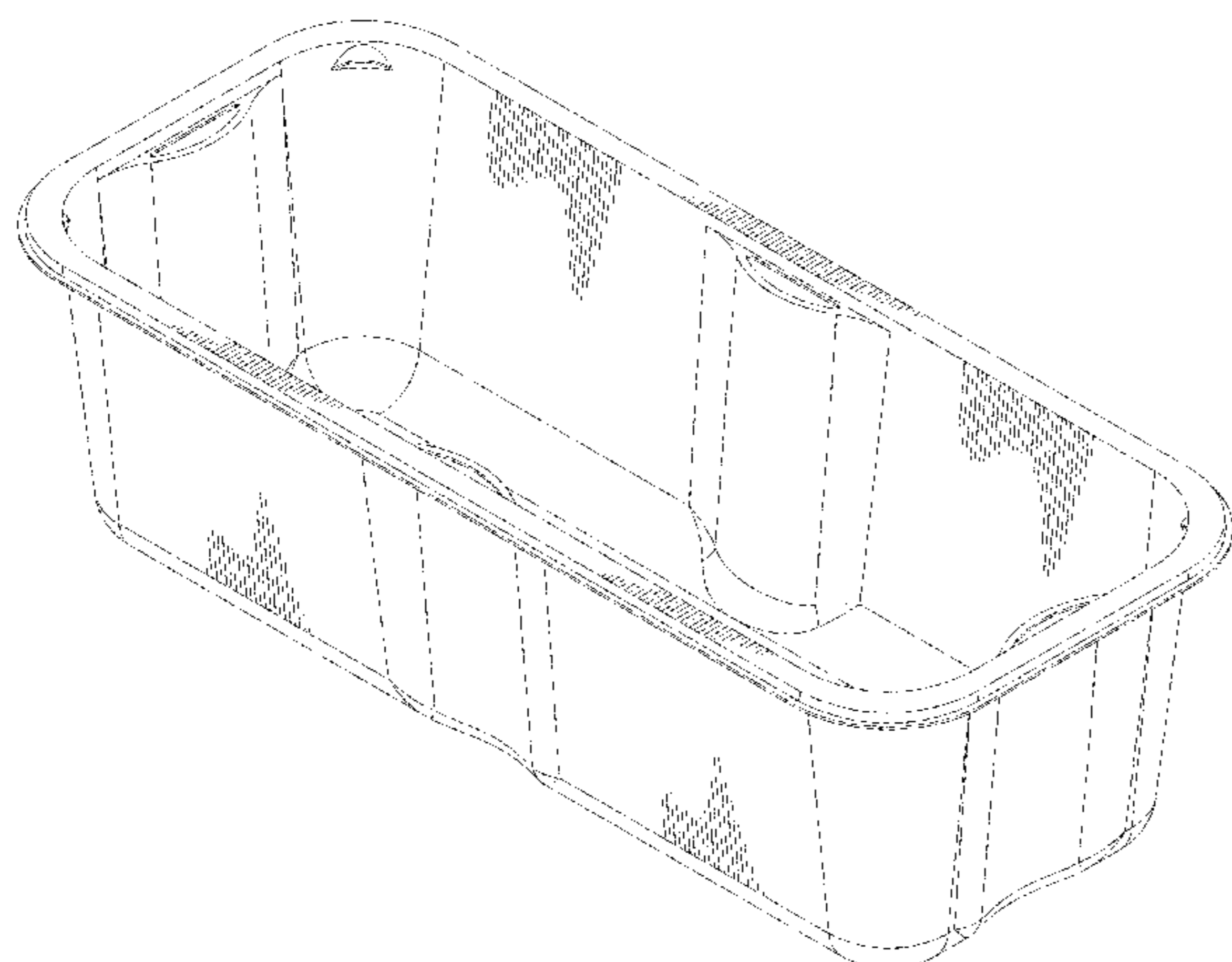
(56) **References Cited**

U.S. PATENT DOCUMENTS

D195,375 S 6/1963 Bostrom  
D211,682 S 7/1968 Elcholtz et al.  
D214,832 S 8/1969 Bloch et al.  
D275,886 S 10/1984 Sheward et al.  
D280,590 S 9/1985 Schrage  
4,616,762 A 10/1986 Alexander  
D296,191 S 6/1988 Yoshida et al.

(Continued)

**1 Claim, 7 Drawing Sheets**



(56)

References Cited

U.S. PATENT DOCUMENTS

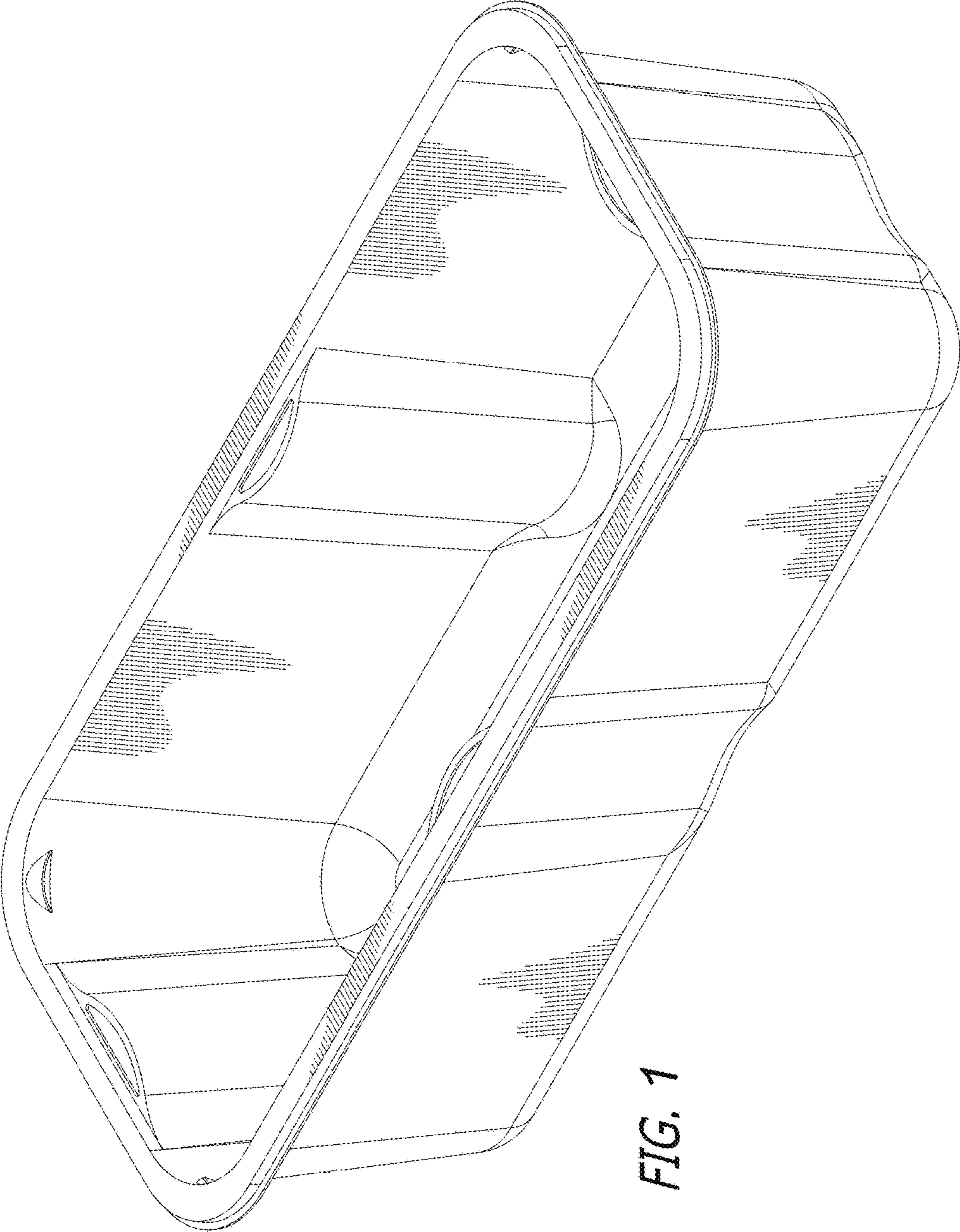
D348,394 S \* 7/1994 Dreyer ..... D9/424  
 D370,345 S \* 6/1996 Wolff ..... D3/312  
 D378,039 S 2/1997 Ferris  
 D378,552 S 3/1997 Lippisch  
 D395,756 S \* 7/1998 Tanji ..... D3/304  
 D398,151 S \* 9/1998 Ahern, Jr. .... D3/304  
 D415,935 S 11/1999 Martinez  
 D429,965 S 8/2000 Hayes et al.  
 D485,473 S 1/2004 Dais et al.  
 D492,844 S \* 7/2004 Ramirez ..... D3/304  
 D496,272 S 9/2004 Jackson et al.  
 D502,096 S 2/2005 Wilcock et al.  
 D514,441 S 2/2006 Snedden et al.  
 D514,931 S 2/2006 Snedden et al.  
 D558,045 S 12/2007 Templeton  
 D562,128 S 2/2008 van de Velde  
 D579,767 S 11/2008 Wallach  
 D586,652 S 2/2009 Wallach  
 D591,510 S \* 5/2009 Auer ..... D3/304  
 D596,857 S \* 7/2009 Ahlgrim ..... D3/307  
 D606,811 S 12/2009 Furlong  
 D606,812 S 12/2009 Wu  
 D648,535 S \* 11/2011 Reinhart ..... D3/302  
 D649,033 S 11/2011 Epstein

D656,369 S 3/2012 Everson  
 D678,050 S 3/2013 Birchmeier et al.  
 D685,628 S 7/2013 Durdon et al.  
 D689,363 S 9/2013 Sundy et al.  
 D692,748 S 11/2013 Short et al.  
 D696,057 S 12/2013 Green et al.  
 D696,111 S 12/2013 Sundy et al.  
 D696,938 S 1/2014 BeVier et al.  
 8,777,043 B2 7/2014 Furlong  
 8,794,440 B2 8/2014 BeVier et al.  
 D719,019 S \* 12/2014 Avis ..... D9/424  
 D730,127 S 5/2015 Maxwell et al.  
 D772,059 S 11/2016 Urushidani et al.  
 2004/0118737 A1 6/2004 Welsh et al.  
 2008/0135556 A1 6/2008 Bontrager et al.  
 2009/0120937 A1 5/2009 Vovan  
 2011/0272318 A1 11/2011 Gallop et al.  
 2012/0006842 A1 1/2012 Overgaag  
 2013/0015096 A1 1/2013 BeVier et al.  
 2015/0157534 A1 6/2015 Van Puijenbroek et al.

OTHER PUBLICATIONS

U.S. Appl. No. 29/562,176, filed Apr. 2016, Pickard et al.  
 U.S. Appl. No. 29/562,181, filed Apr. 2016, Pickard et al.  
 U.S. Appl. No. 15/229,023, filed Aug. 2016, Pickard et al.

\* cited by examiner



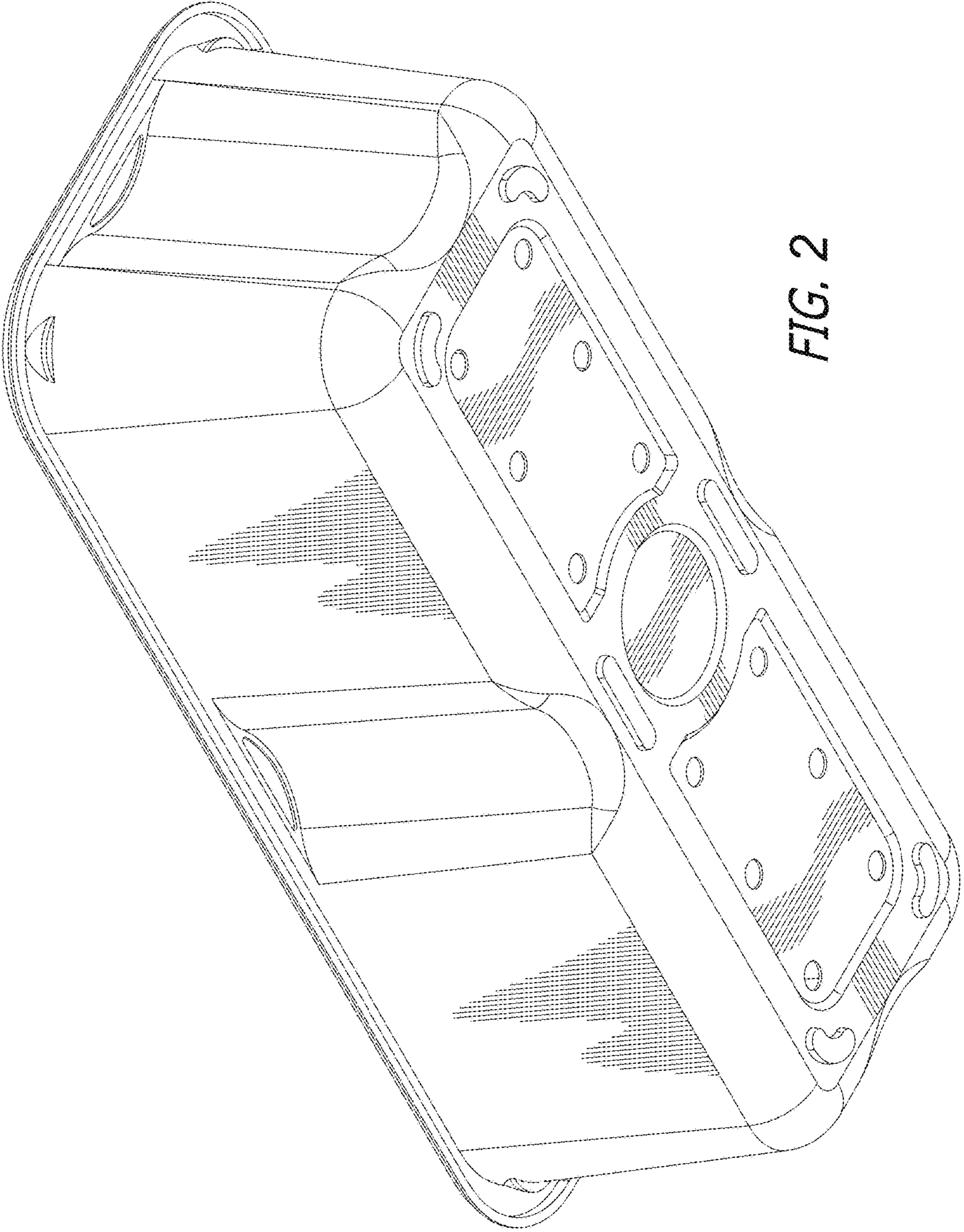


FIG. 2

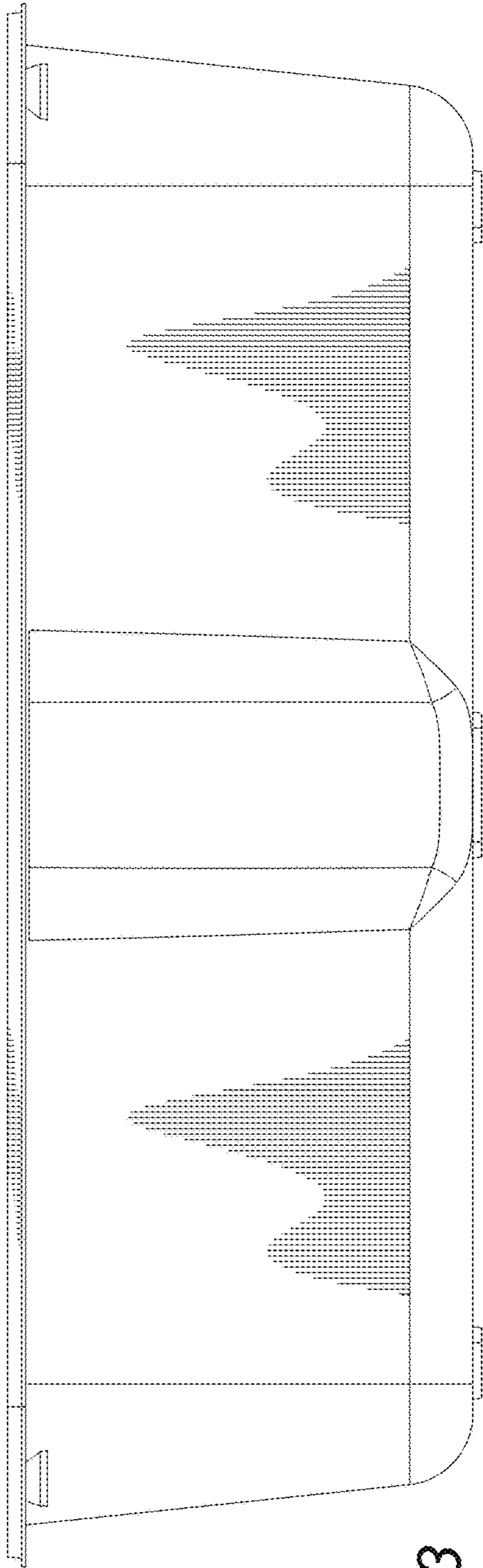


FIG. 3

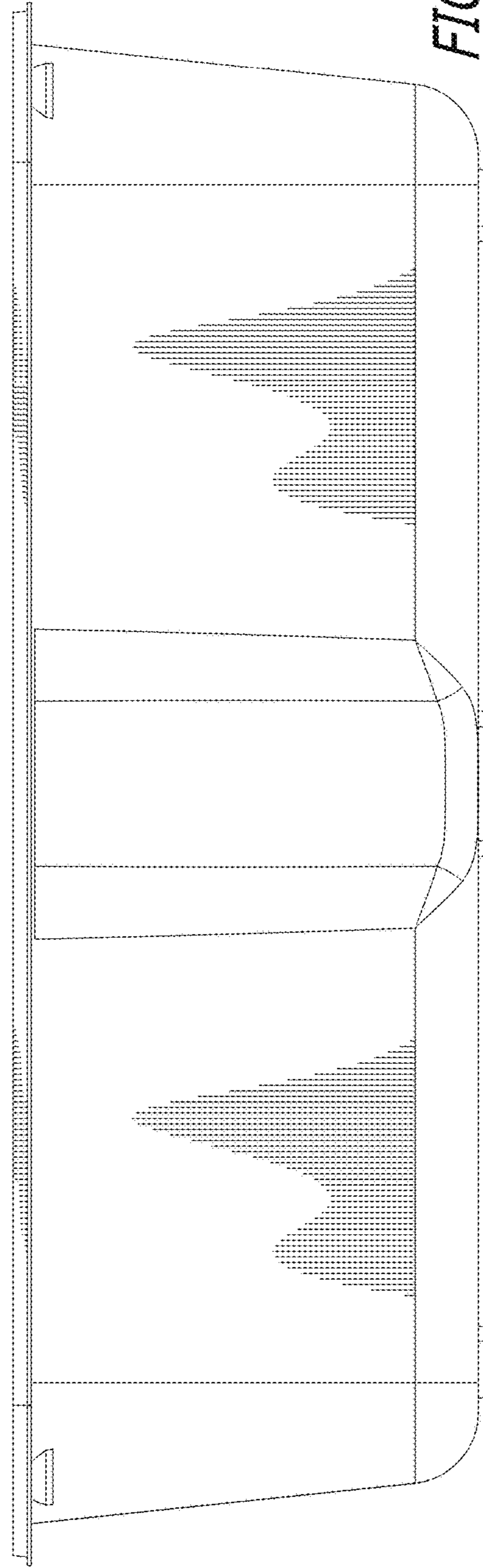


FIG. 4

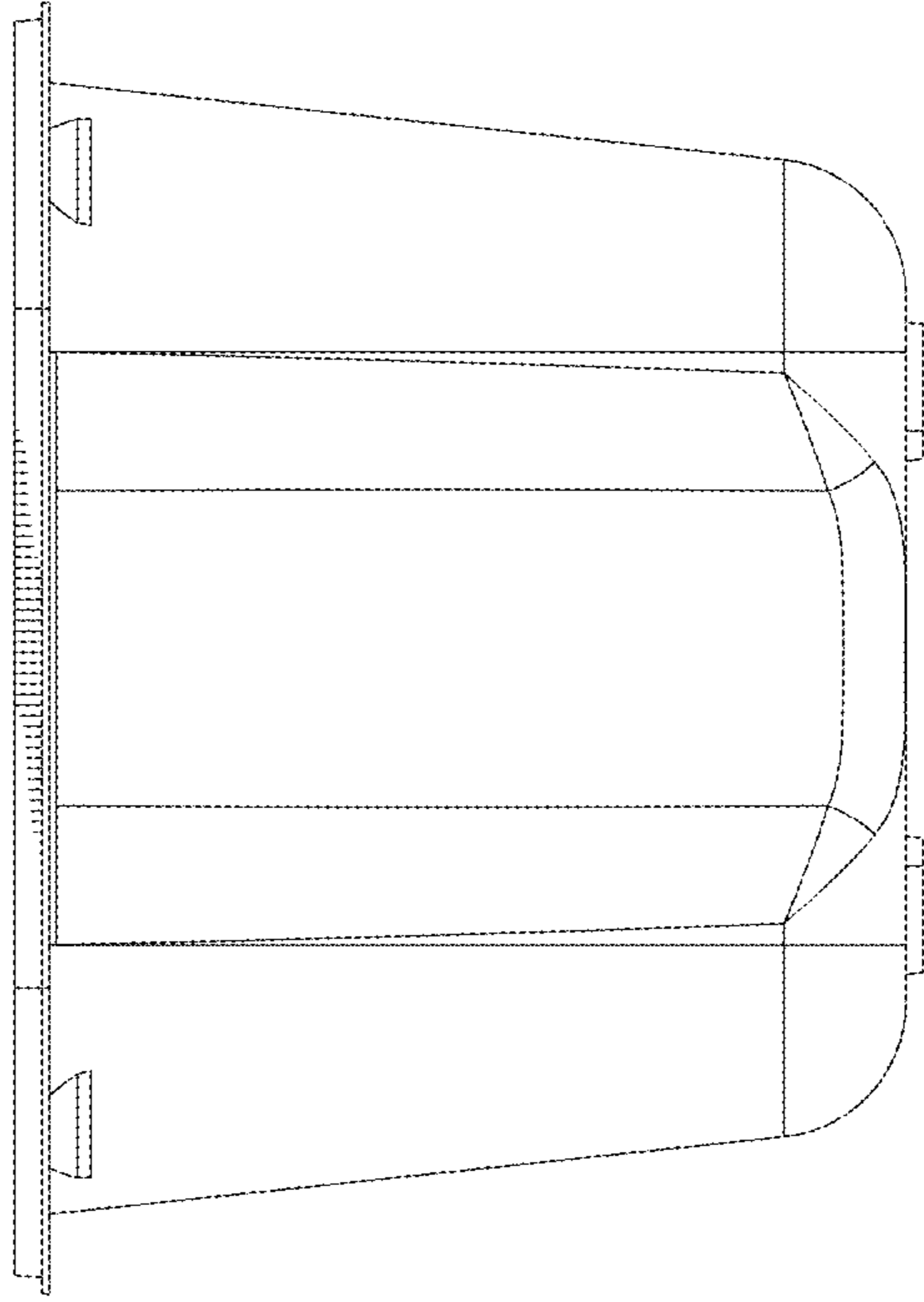


FIG. 6

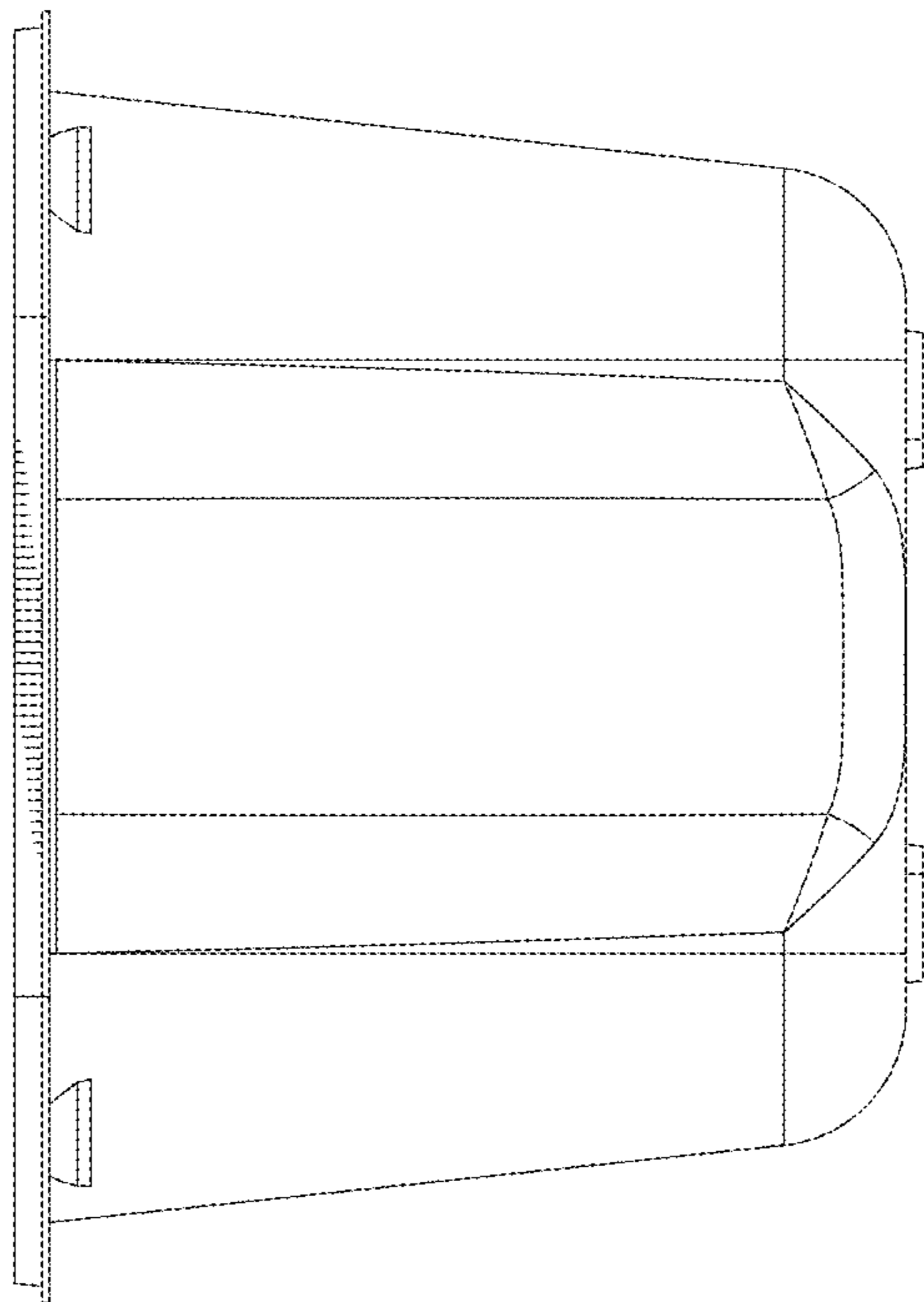


FIG. 5

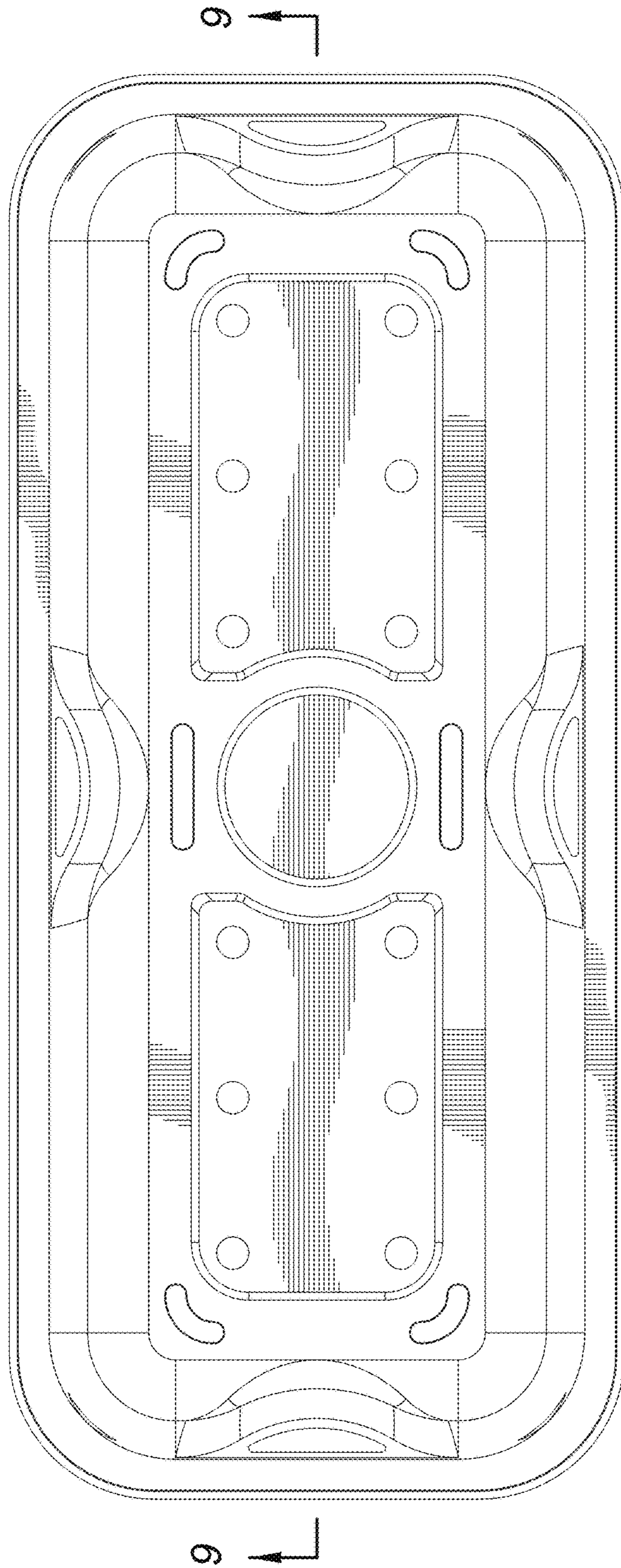


FIG. 7

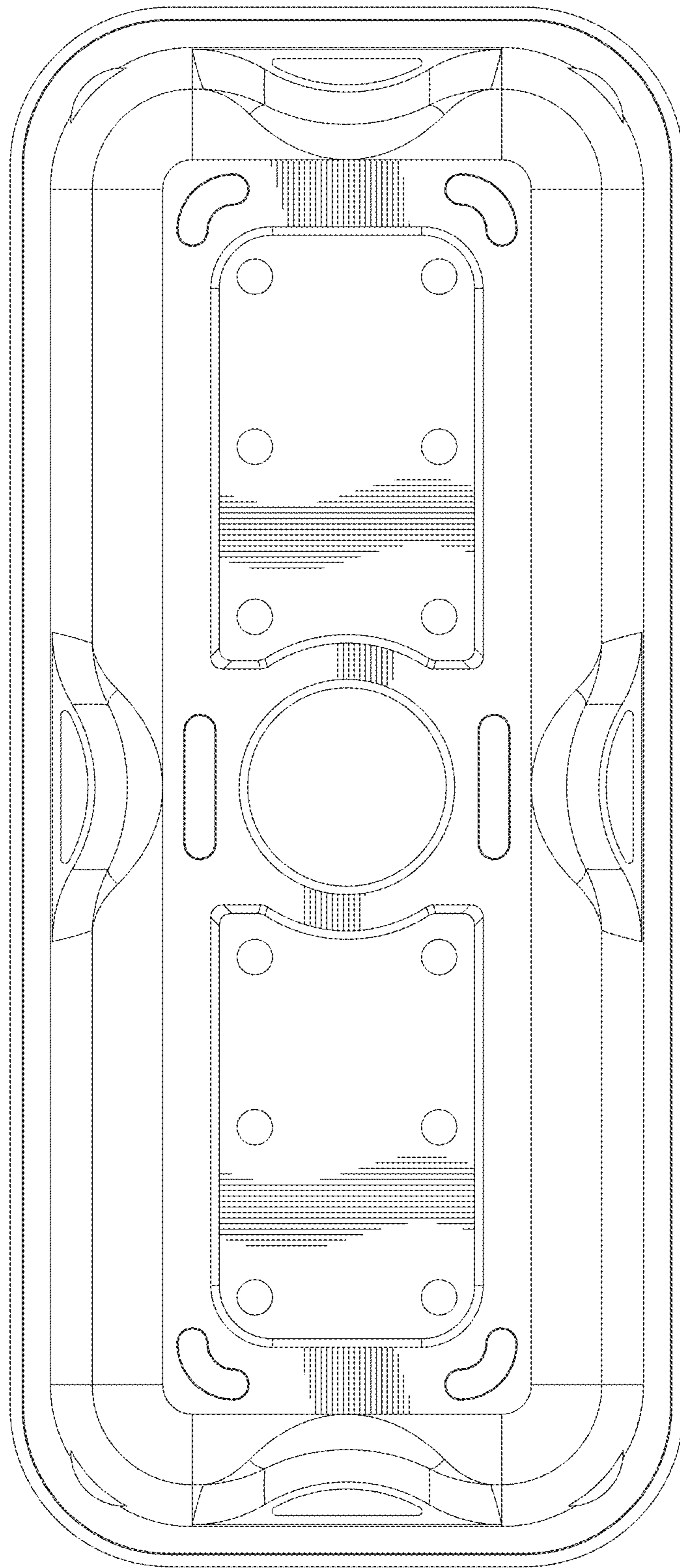


FIG. 8



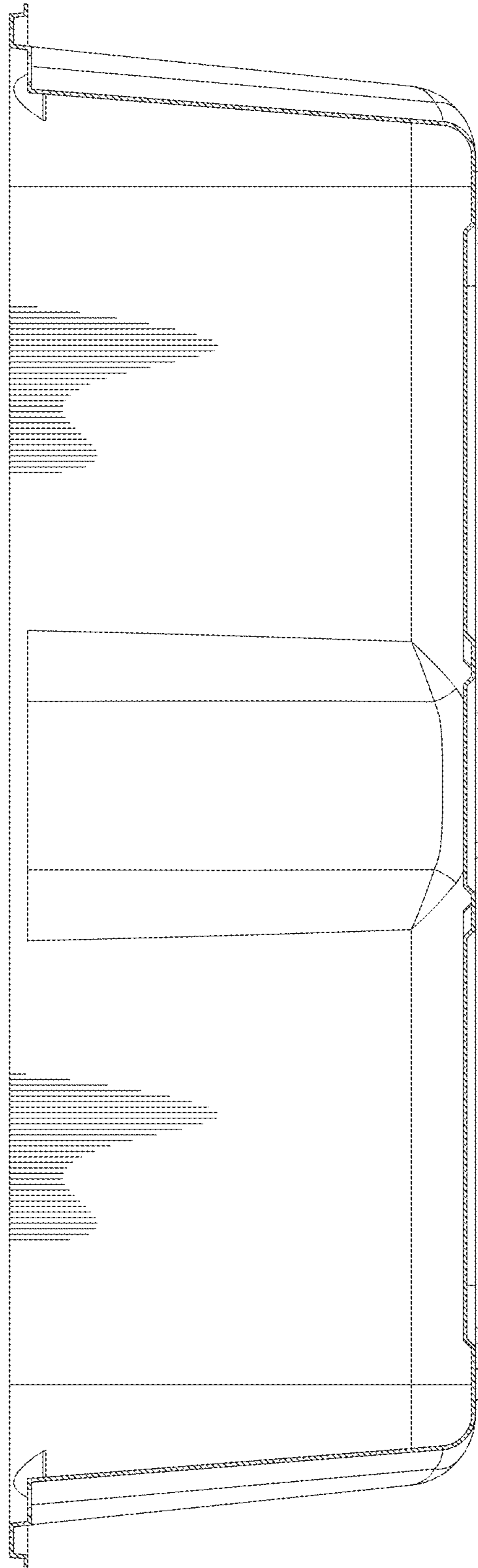


FIG. 9