



US00D811209S

(12) **United States Design Patent** (10) **Patent No.:** **US D811,209 S**
Tincher et al. (45) **Date of Patent:** **** Feb. 27, 2018**

- (54) **NUT ASSEMBLY FOR A TILT-UP WALL PANEL BRACE**
- (71) Applicant: **T & G Innovations, LLC**,
Harveysburg, OH (US)
- (72) Inventors: **Terry J. Tincher**, Oregonia, OH (US);
Gavin F. Whitacre, Waynesville, OH (US)
- (73) Assignee: **T & G Innovations, LLC**,
Harveysburg, OH (US)
- (**) Term: **15 Years**
- (21) Appl. No.: **29/587,706**
- (22) Filed: **Dec. 15, 2016**
- (51) **LOC (11) Cl.** **08-08**
- (52) **U.S. Cl.**
USPC **D8/399**
- (58) **Field of Classification Search**
USPC D8/398, 394, 382, 349, 397, 399;
411/435, 437, 510, 427, 337, 429
CPC ... E04G 25/065; F16B 41/002; F16B 23/0061
See application file for complete search history.

D609,999	S	*	2/2010	Andersson	D8/399
D631,336	S	*	1/2011	Toumei	D8/397
D646,153	S	*	10/2011	Andersson	D8/397
D669,442	S	*	10/2012	Bowen, III	D13/183
D735,569	S	*	8/2015	Reusing	D8/397
D796,947	S	*	9/2017	Hsu	D8/397
9,771,962	B2	*	9/2017	Metten	F16B 5/0233
2004/0175254	A1	*	9/2004	Peng	F16B 25/00 411/501
2007/0020063	A1	*	1/2007	Thompson	F16B 37/14 411/377

* cited by examiner

Primary Examiner — Cynthia Underwood
(74) *Attorney, Agent, or Firm* — Jacox, Meckstroth & Jenkins

(57) **CLAIM**

The ornamental design of a nut assembly for a tilt-up wall panel brace, as shown and described.

DESCRIPTION

FIG. 1 is a perspective view of a nut assembly for a tilt-up wall panel brace showing our new design;
FIG. 2 is a side view thereof, the opposite side being a mirror image;
FIG. 3 is a top view thereof;
FIG. 4 is a bottom view thereof;
FIG. 5 is a section view thereof, taken on the line 5-5 of FIG. 2; and,
FIG. 6 is a section view thereof, taken on the line 6-6 of FIG. 2.

1 Claim, 1 Drawing Sheet

- (56) **References Cited**
U.S. PATENT DOCUMENTS
D138,579 S * 8/1944 Wing D8/386
D398,837 S * 9/1998 Spence D8/397
D446,111 S * 8/2001 Hussaini D8/29

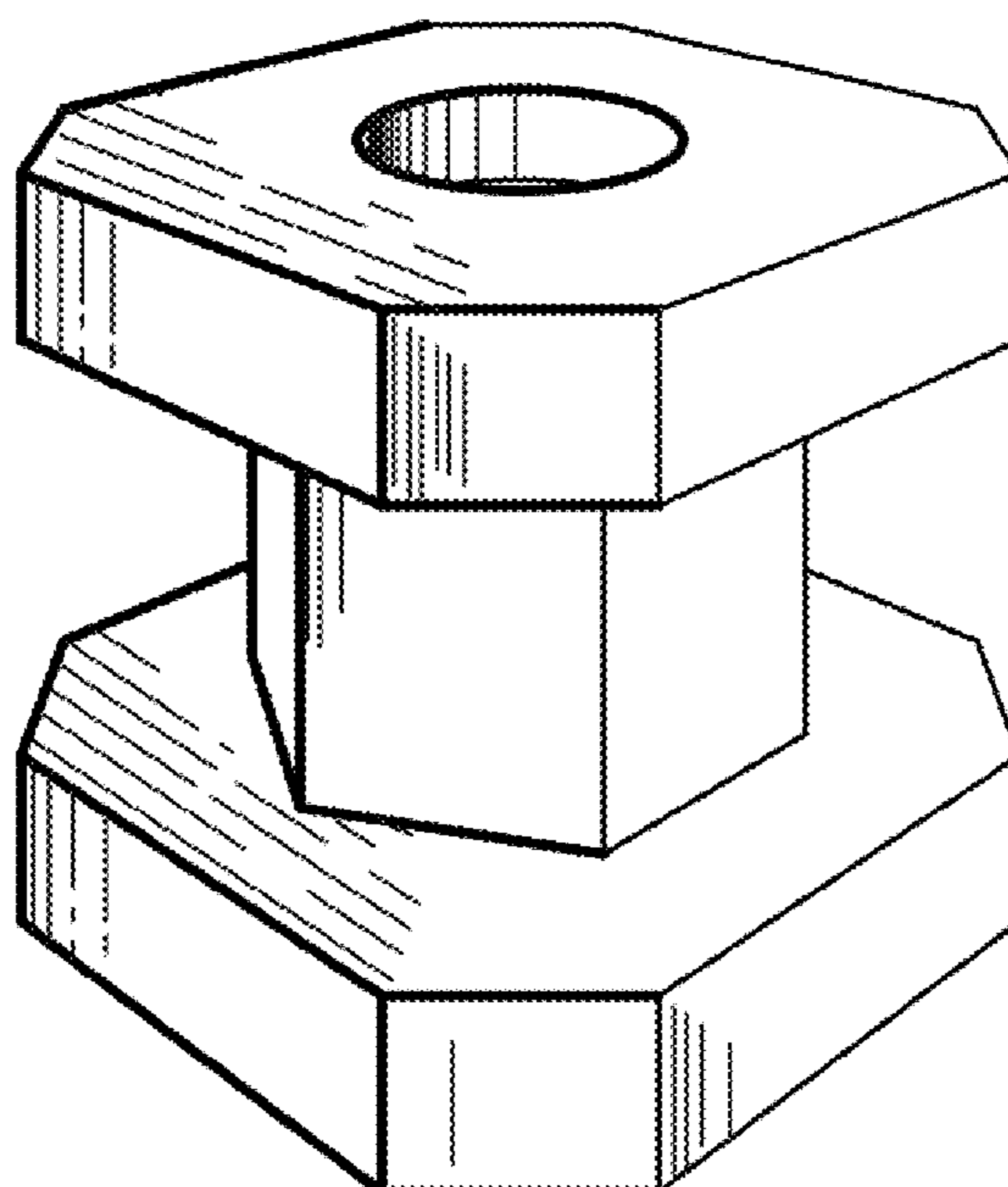


FIG. 1

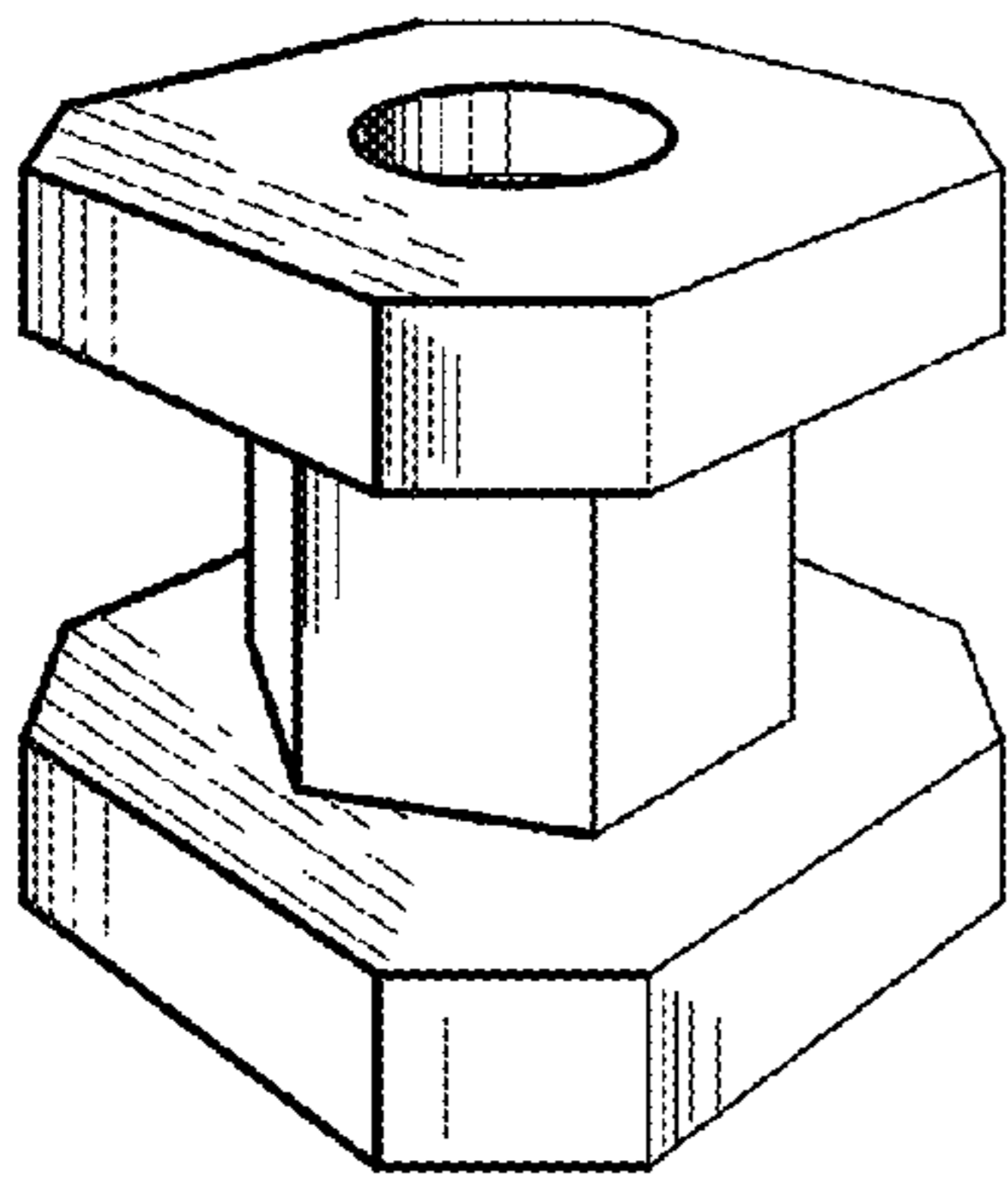


FIG. 2

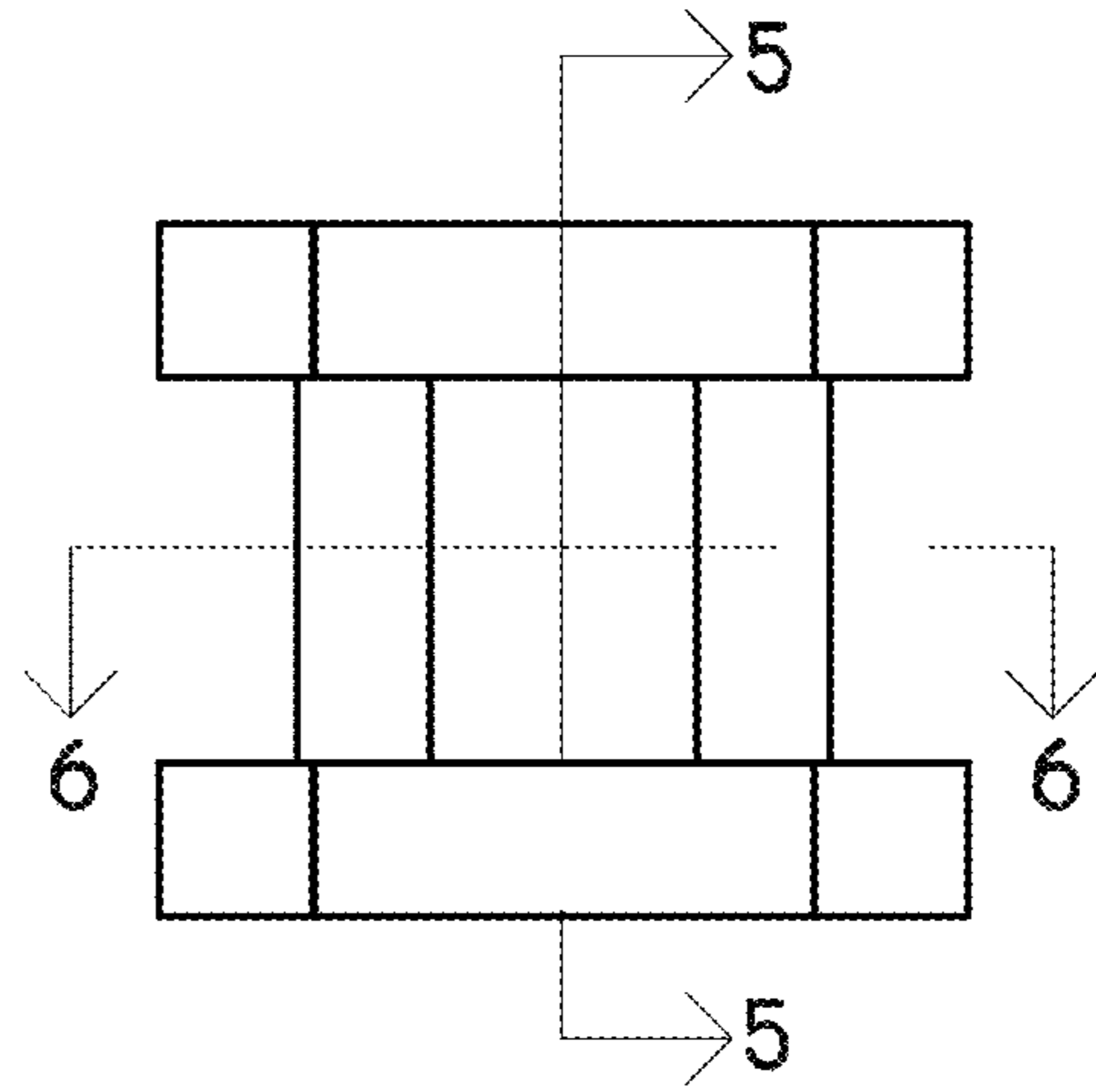


FIG. 3

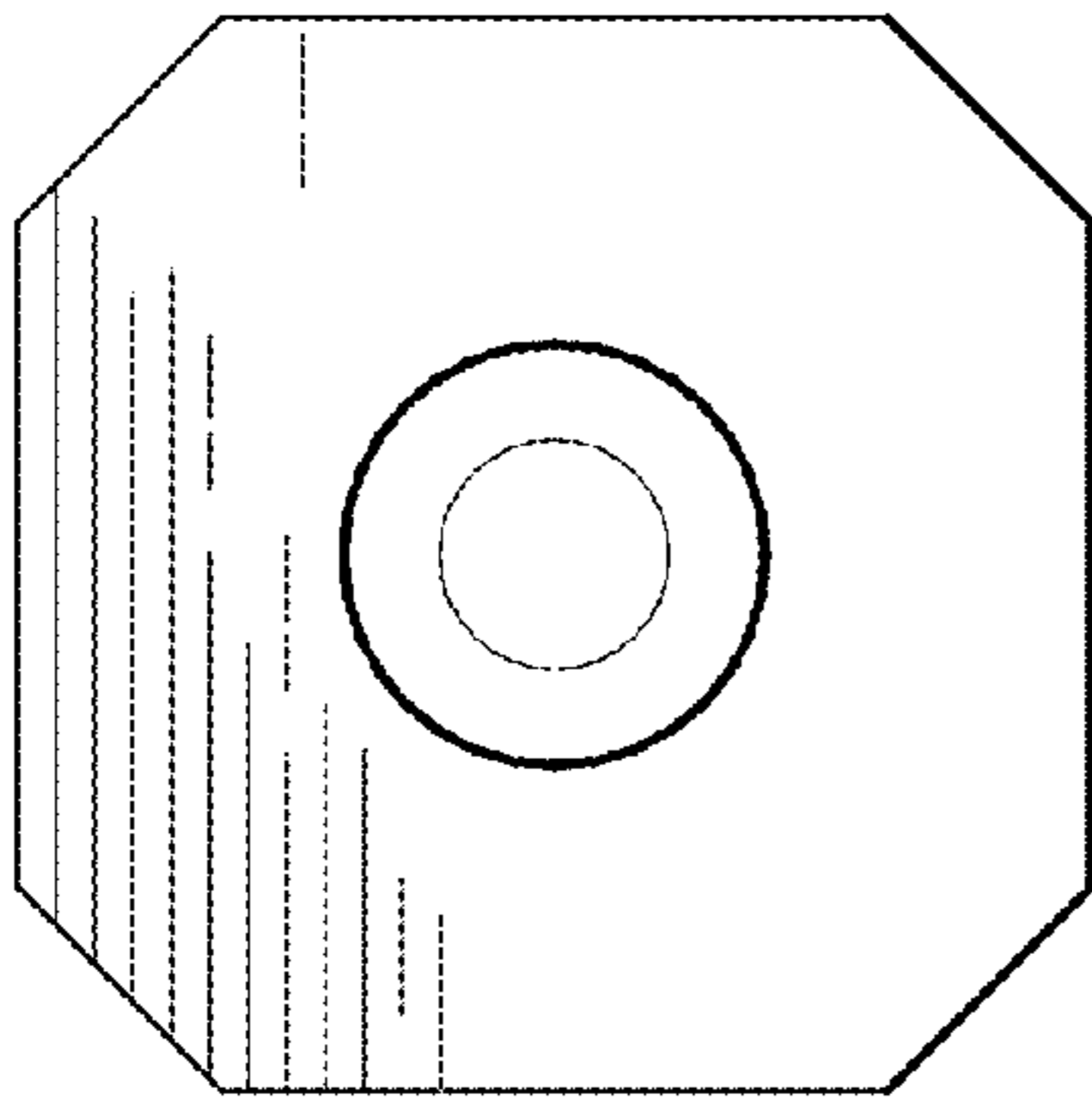


FIG. 4

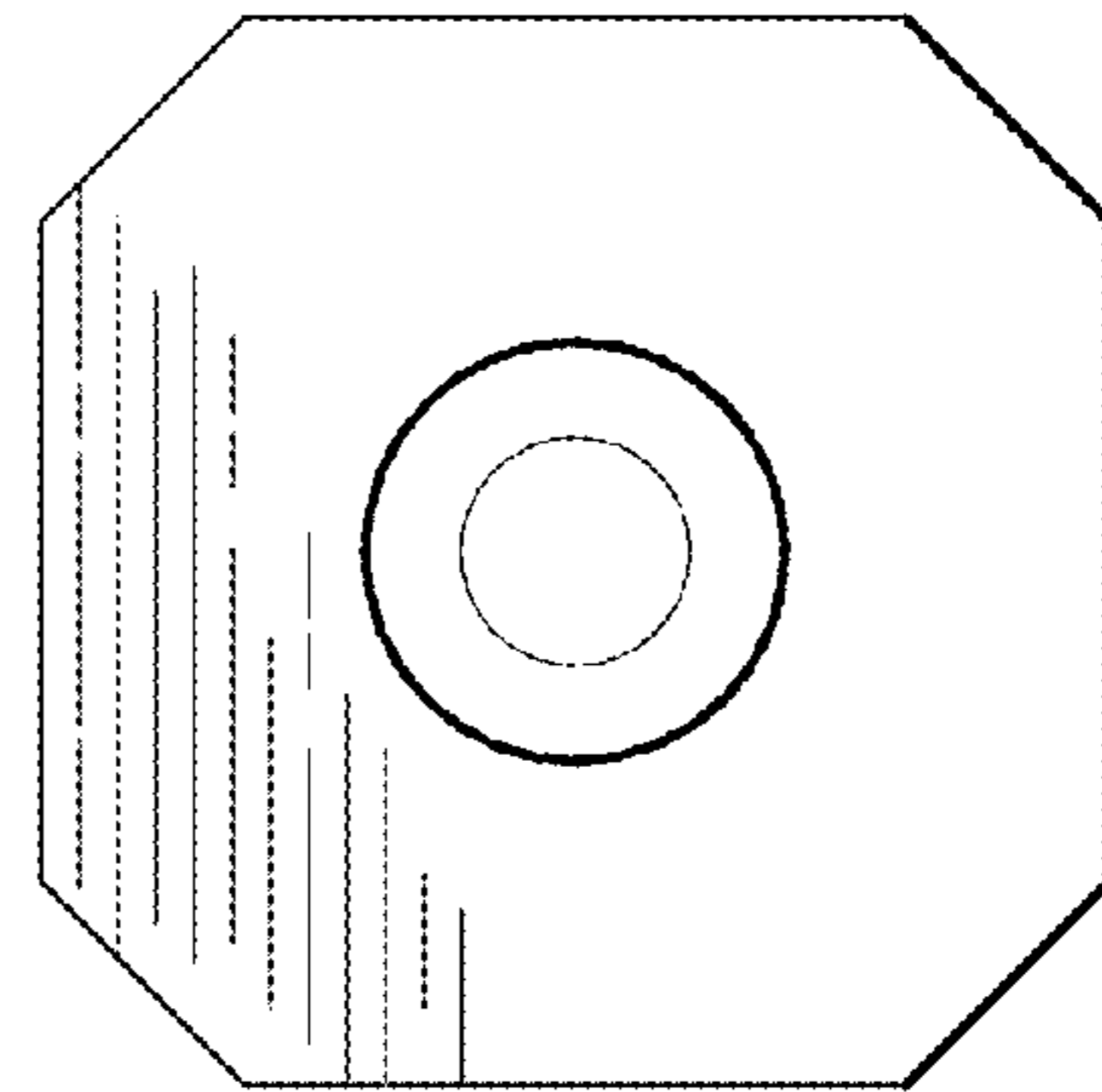


FIG. 5

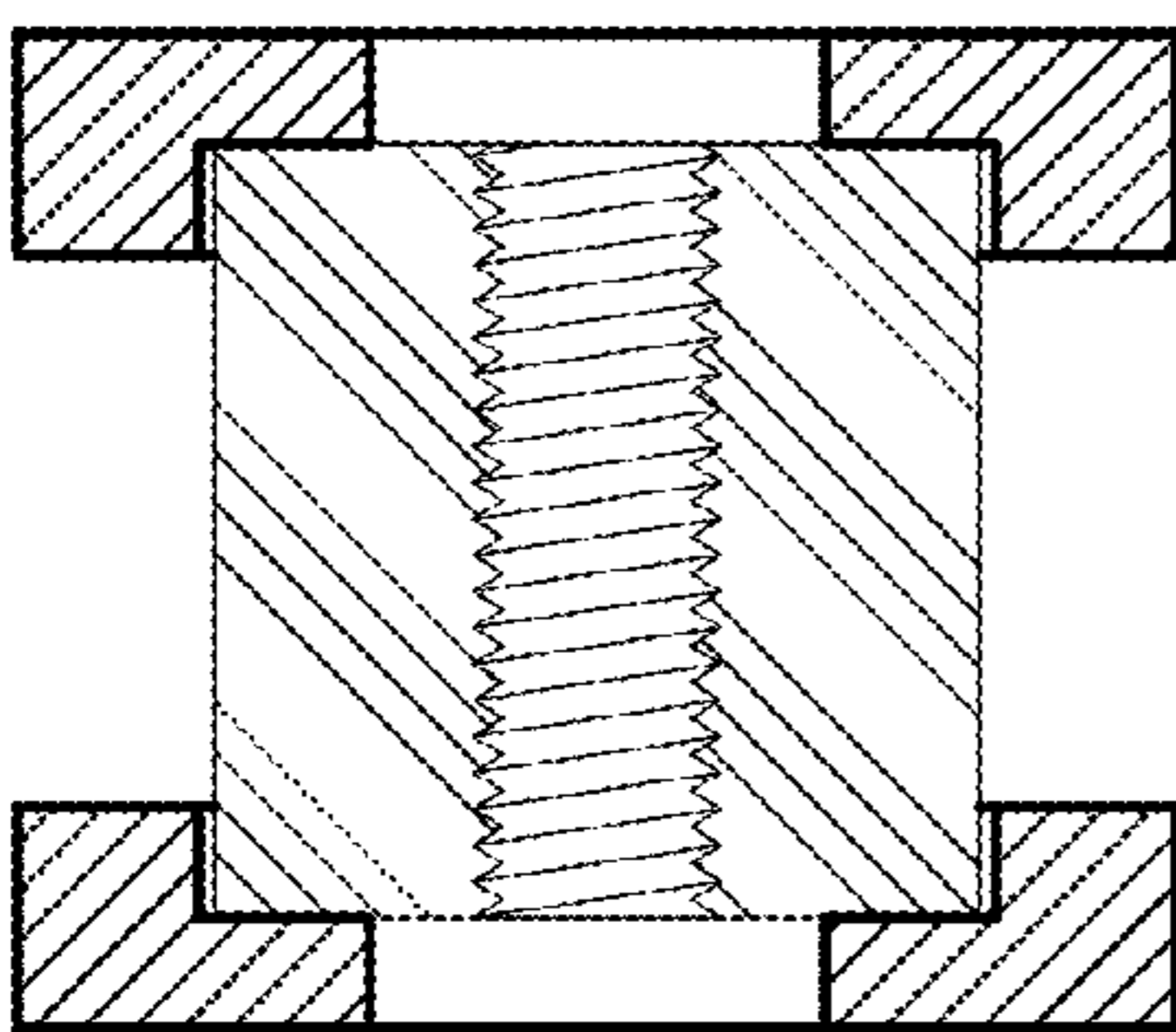


FIG. 6

