



US00D811208S

(12) **United States Design Patent**
Spronken

(10) **Patent No.:** **US D811,208 S**

(45) **Date of Patent:** **** Feb. 27, 2018**

(54) **CRANE BASE FASTENER**

(71) Applicant: **John Rene Spronken**, Calgary (CA)

(72) Inventor: **John Rene Spronken**, Calgary (CA)

(**) Term: **15 Years**

(21) Appl. No.: **29/588,989**

(22) Filed: **Dec. 27, 2016**

(30) **Foreign Application Priority Data**

Dec. 21, 2016 (CA) 172265

(51) **LOC (11) Cl.** **08-08**

(52) **U.S. Cl.**
USPC **D8/382**

(58) **Field of Classification Search**
USPC D8/71, 349, 354, 373, 380, 381, 382;
D15/5, 28, 33, 138, 199; D12/223, 203
CPC B60P 1/44; B60P 1/4421; B60P 1/4492;
B60P 1/5404; B60P 1/5438; B60P
1/5457; B60P 1/56; B66C 2700/015;
B66C 23/025; B66C 7/08; B66C 1/68;
B66C 3/20; B66C 5/00; B66C 5/10;
B66C 23/62; B66C 23/18

See application file for complete search history.

(56) **References Cited**

U.S. PATENT DOCUMENTS

494,506 A * 3/1893 Carlisle B66C 3/20
212/249
D266,827 S * 11/1982 Withrow D18/59
D310,018 S * 8/1990 Landrum D8/367
D394,377 S * 5/1998 Najewski D8/354
D400,491 S * 11/1998 Hagenbuch D12/223
D456,821 S * 5/2002 Ege D15/28
6,478,528 B1 * 11/2002 Asbury B60P 1/548
212/180
7,163,227 B1 * 1/2007 Burns B60B 35/1054
180/906
D578,867 S * 10/2008 Deuer D8/354

D610,438 S * 2/2010 Libohova D8/373
D739,208 S * 9/2015 Shirley D8/349
D760,579 S * 7/2016 Tonthat D8/354
D765,492 S * 9/2016 Akers D8/354

(Continued)

FOREIGN PATENT DOCUMENTS

CA Design 40855 6/1976
CA Design 40923 7/1976

(Continued)

OTHER PUBLICATIONS

towercranechina.com website, Aug. 24, 2012, Zhengzhou Unique Industrial Equipment Co., Ltd.; Shortlink <http://wp.me/p2GhOC-9>.

(Continued)

Primary Examiner — Sandra Snapp
Assistant Examiner — Ieisha Price
(74) *Attorney, Agent, or Firm* — Reichel Stohry LLP;
Mark C. Reichel; Natalie J. Dean

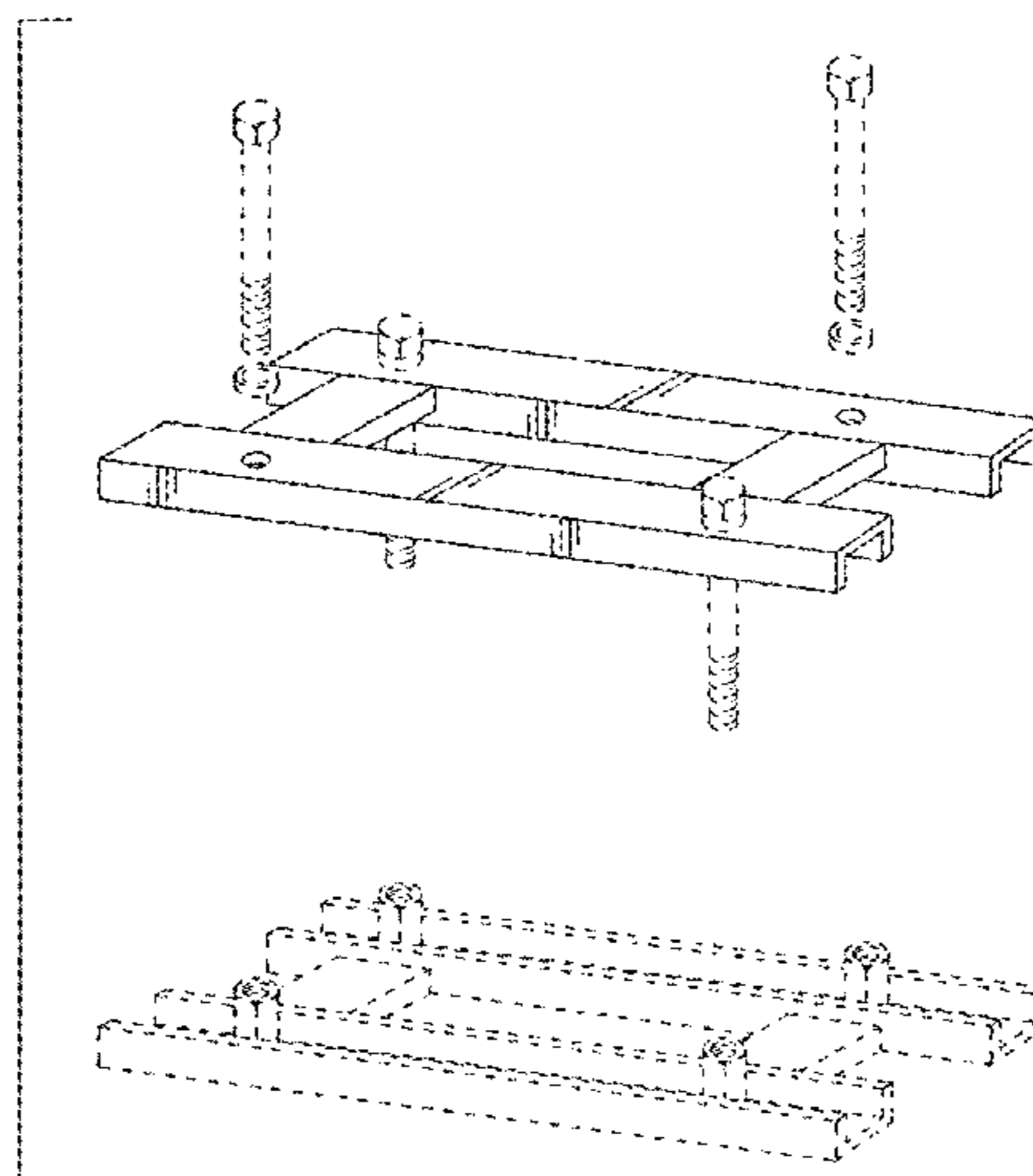
(57) **CLAIM**

The ornamental design for a crane base fastener, as shown and described.

DESCRIPTION

FIG. 1 is an exploded environmental perspective view of the crane base fastener;
FIG. 2 is one end view of the design;
FIG. 3 is a top plan view thereof;
FIG. 4 is the other end view thereof;
FIG. 5 is one side view thereof;
FIG. 6 is the other side view thereof; and,
FIG. 7 is a bottom plan view thereof.
The broken line showing in FIG. 1 illustrates the environment of the claimed design and forms no part thereof.

1 Claim, 3 Drawing Sheets



(56)

References Cited

U.S. PATENT DOCUMENTS

2002/0062686 A1* 5/2002 Keaton B60P 1/4421
73/116.01
2007/0235403 A1* 10/2007 Ethington B60L 11/02
212/180

FOREIGN PATENT DOCUMENTS

| | | |
|----|---------------|---------|
| CA | Design 127269 | 3/2009 |
| CN | 101718097 B | 9/2011 |
| CN | 202164621 U | 3/2012 |
| CN | 203113364 U | 8/2013 |
| CN | 203498858 U | 3/2014 |
| CN | 203716169 U | 7/2014 |
| CN | 203846523 U | 9/2014 |
| CN | 104088291 A | 10/2014 |
| CN | 103015453 B | 11/2014 |
| CN | 203939043 U | 11/2014 |
| CN | 203947490 U | 11/2014 |
| CN | 204151819 U | 2/2015 |
| CN | 103850265 B | 11/2015 |
| CN | 205062829 U | 3/2016 |
| CN | 104264705 B | 4/2016 |

OTHER PUBLICATIONS

Liu, Jin-long et al.; A Design of Fabricated Concrete Foundation for Tower Crane; International Journal of Advancements in Computing Technology, pp. 934-944, vol. 5, No. 6, Mar. 2013.
<http://www.miniature-construction-world.co.uk/liebherr-630ec-h40.html>, dated (last modified) May 19, 2012.

* cited by examiner

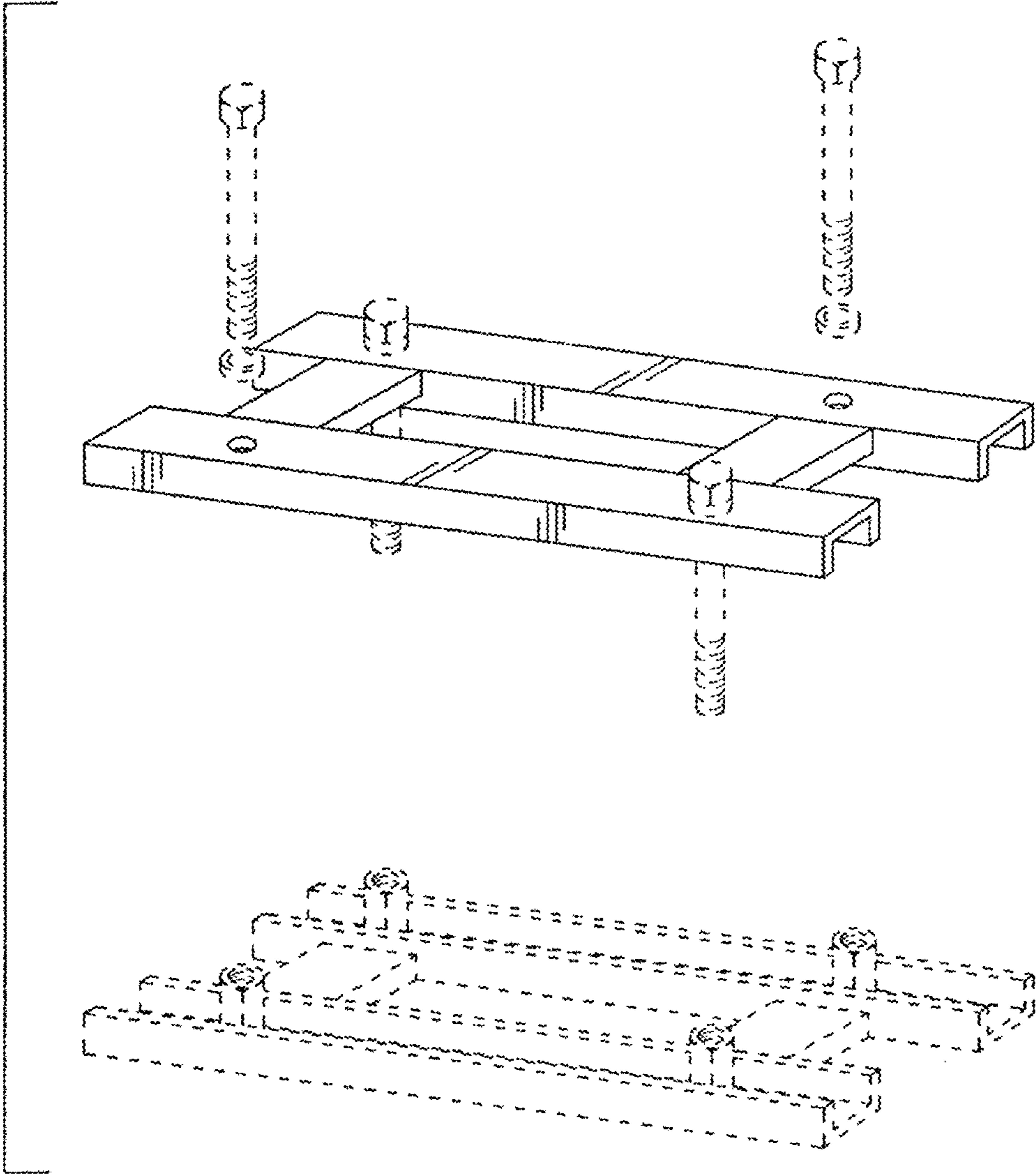


FIG. 1

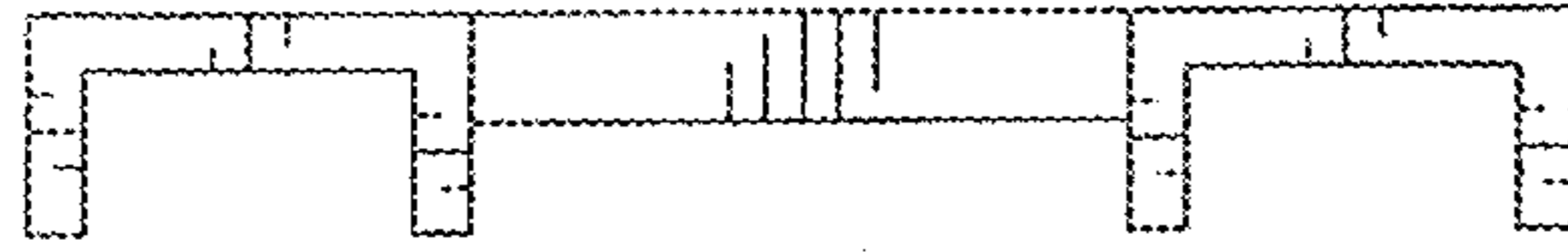


FIG. 2

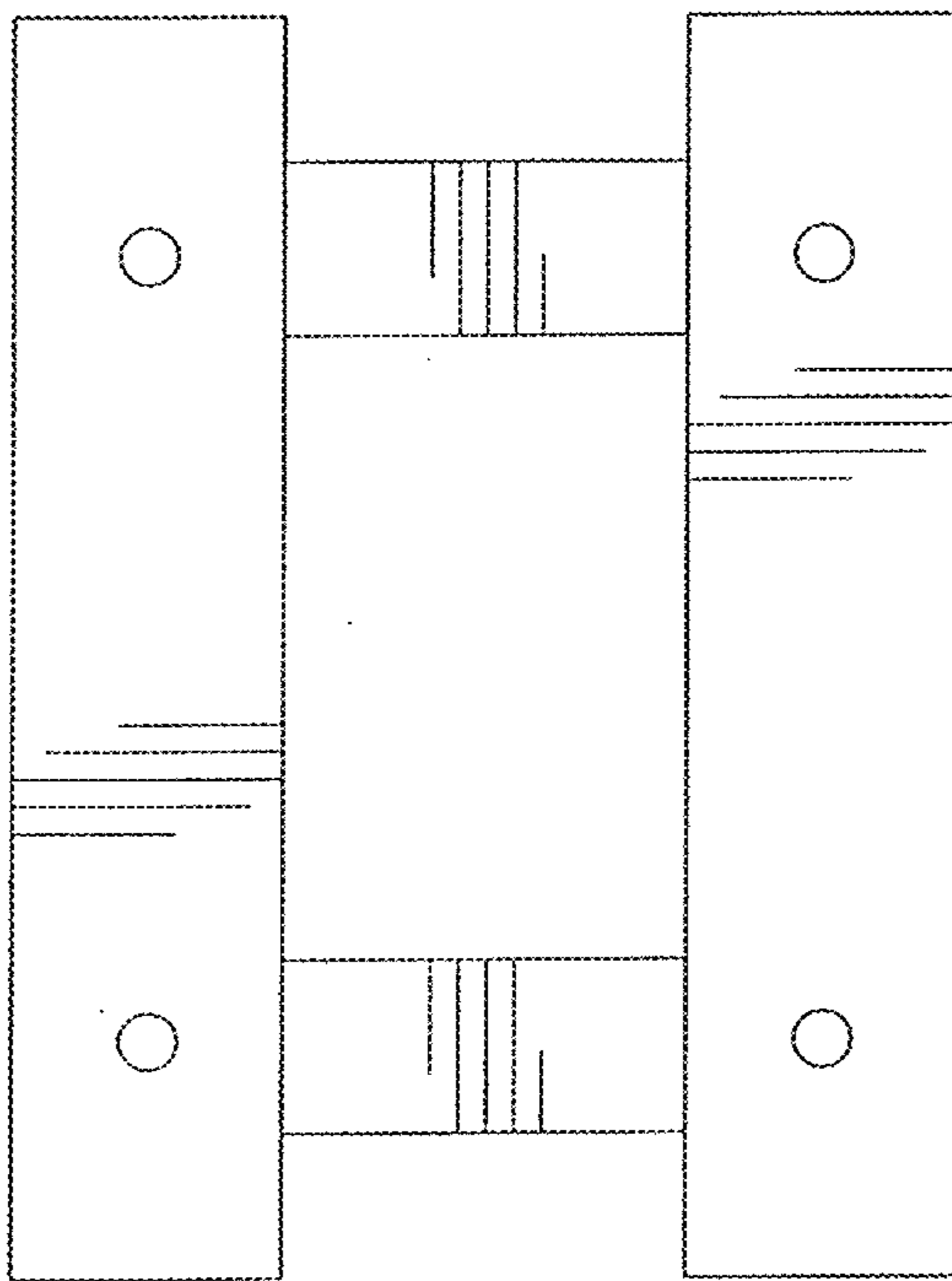


FIG. 3

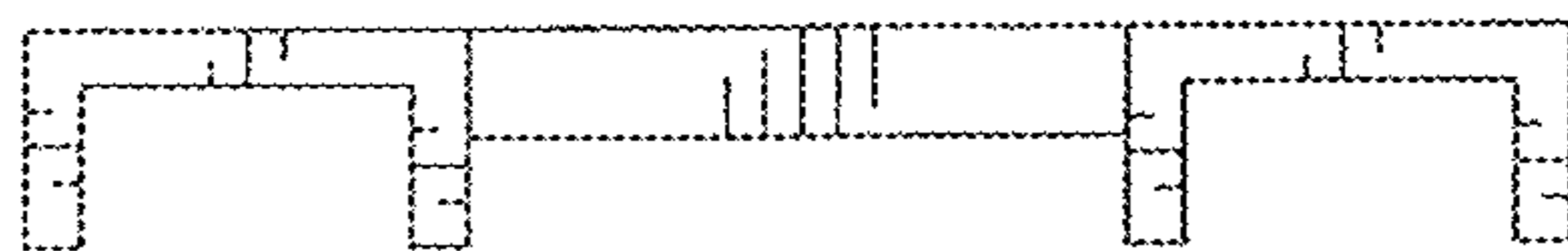


FIG. 4



FIG. 5



FIG. 6

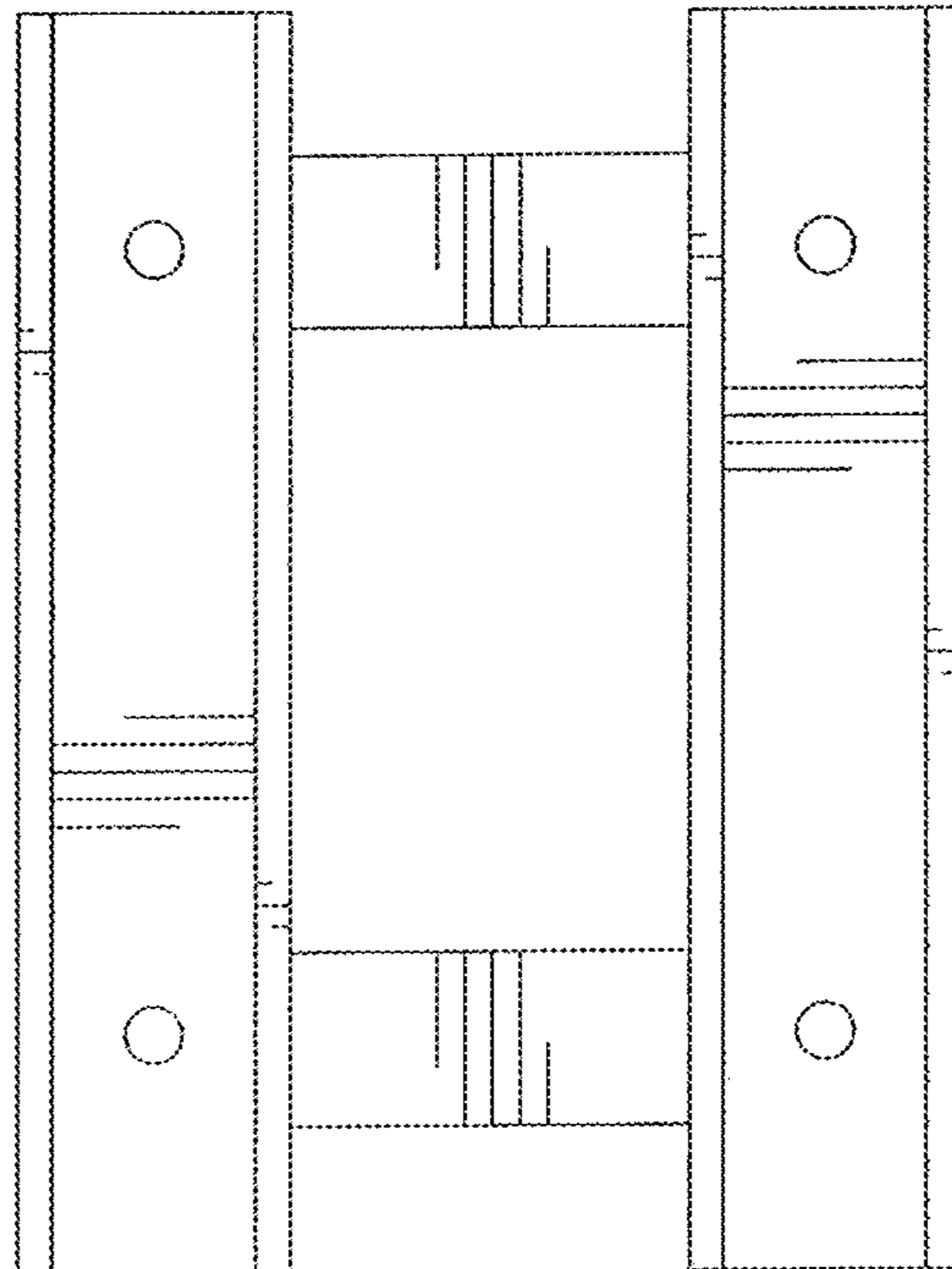


FIG. 7