



US00D811206S

(12) **United States Design Patent** (10) **Patent No.:** **US D811,206 S**
Palsgaard et al. (45) **Date of Patent:** **** Feb. 27, 2018**

(54) **COUPLING ELEMENT FOR A PELT BOARD**

FOREIGN PATENT DOCUMENTS

(71) Applicant: **MINKPAPIR A/S**, Holstebro (DK)

WO 2015/144774 A1 10/2015
WO 2015/144777 A1 10/2015

(72) Inventors: **Henrik Palsgaard**, Aalborg (DK);
Johnny Larson, Aalborg (DK);
Mogens Fahlgren Andersen, Holstebro (DK)

OTHER PUBLICATIONS

Non-Final Office Action on co-pending U.S. Appl. No. 29/545,437 dated Jun. 15, 2017.

(73) Assignee: **MINKPAPIR A/S**, Holstebro (DK)

Primary Examiner — Sandra S Snapp

(**) Term: **15 Years**

Assistant Examiner — Ieisha N Price

(21) Appl. No.: **29/545,434**

(74) *Attorney, Agent, or Firm* — Klein, O'Neill & Singh, LLP

(22) Filed: **Nov. 12, 2015**

(30) **Foreign Application Priority Data**

May 12, 2015 (DK) DA 2015 00043

(51) **LOC (11) Cl.** **08-08**

(52) **U.S. Cl.**
USPC **D8/382**

(58) **Field of Classification Search**
USPC D8/1, 71, 349, 354, 382, 384, 385, 388,
D8/391, 499

CPC C14B 1/26; C14B 15/06; C14B 17/06;
C14B 17/08; C14B 1/58

See application file for complete search history.

(56) **References Cited**

U.S. PATENT DOCUMENTS

142,384 A * 9/1873 Eiqhme C14B 1/26
69/19
357,609 A * 2/1887 Landers C14B 1/26
223/63
738,276 A * 9/1903 Barton C14B 1/26
223/65
1,271,418 A * 7/1918 Barnes C14B 15/06
223/65
1,434,237 A * 10/1922 Warnock C14B 1/26
24/503
1,879,931 A * 9/1932 Greenstein C14B 1/26
223/61
1,917,520 A * 7/1933 Grey C14B 1/26
223/61

(Continued)

(57) **CLAIM**

The ornamental design for a coupling element for a pelt board, as shown.

DESCRIPTION

FIG. 1 is a top, front, and left side perspective view of a coupling element for a pelt board in accordance with our design;

FIG. 2 is a front elevation view of a coupling element for a pelt board shown in FIG. 1;

FIG. 3 is a rear elevation view of a coupling element for a pelt board shown in FIG. 1;

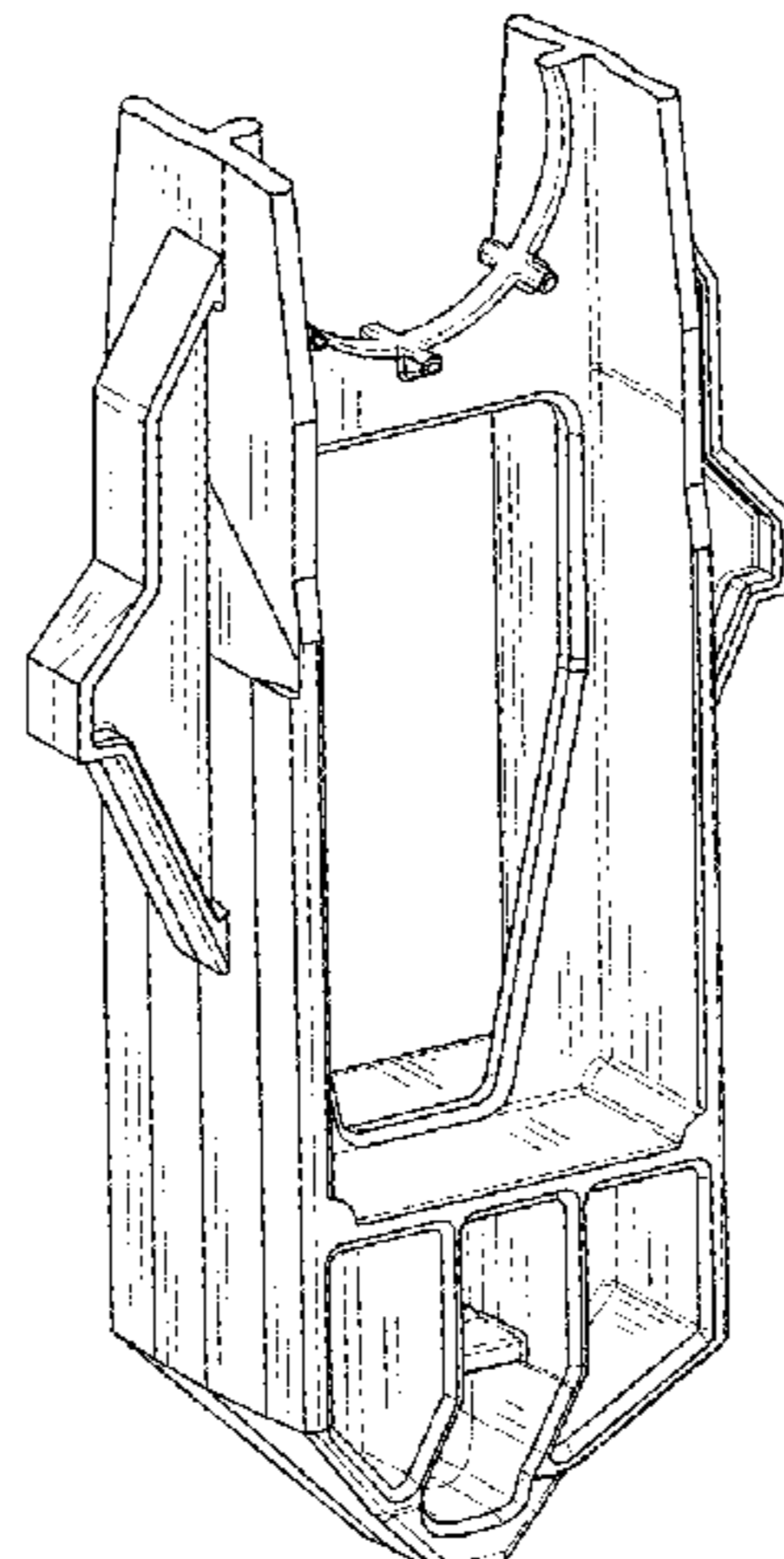
FIG. 4 is right side elevation view of a coupling element for a pelt board shown in FIG. 1;

FIG. 5 is a left side elevation view of a coupling element for a pelt board shown in FIG. 1; and,

FIG. 6 is a bottom plan view of a coupling element for a pelt board shown in FIG. 1.

The broken lines in the drawings illustrate portions of the coupling element for a pelt board that form no part of the claimed design.

1 Claim, 1 Drawing Sheet



(56)

References Cited

U.S. PATENT DOCUMENTS

2,362,062	A *	11/1944	Fishbeck	C14B 1/26	D416,194	S *	11/1999	Brorsson	D13/154
				123/169 C	D464,830	S *	10/2002	High	D8/349
2,380,135	A *	7/1945	West	C14B 1/26	D464,873	S *	10/2002	Nemoto	D8/382
				69/19.2	D467,436	S	12/2002	Fink	
2,781,594	A	2/1957	Stupell		D477,771	S *	7/2003	Nemoto	D8/382
3,313,038	A	4/1967	Bolz		D529,793	S *	10/2006	Kuroda	D8/382
D237,994	S	12/1975	Davis		D537,123	S	2/2007	Thomas	
D259,240	S *	5/1981	Myron	D12/317	7,534,073	B2 *	5/2009	Stahm	E02D 5/80
4,623,102	A *	11/1986	Hough, Jr.	F16L 3/1236					405/259.1
				24/543	7,578,153	B2	8/2009	Hedegaard	
D287,098	S *	12/1986	Wilson	D21/840	7,690,228	B2 *	4/2010	Hedegaard	C14B 1/26
D299,294	S	1/1989	Paci						69/19.1
D309,095	S *	7/1990	Holley	D8/1	D755,303	S *	5/2016	Bissonnette	D20/43
D323,751	S	2/1992	Hinrikus		D759,473	S *	6/2016	Zhou	D8/388
D325,678	S	4/1992	Niles		2013/0152642	A1	6/2013	Pedersen	
D347,244	S	5/1994	Whitmire		2015/0191802	A1 *	7/2015	Pedersen	C14B 1/26
									69/19.2
					2017/0051367	A1	2/2017	Pedersen	
					2017/0051368	A1 *	2/2017	Pedersen	C14B 15/06

* cited by examiner

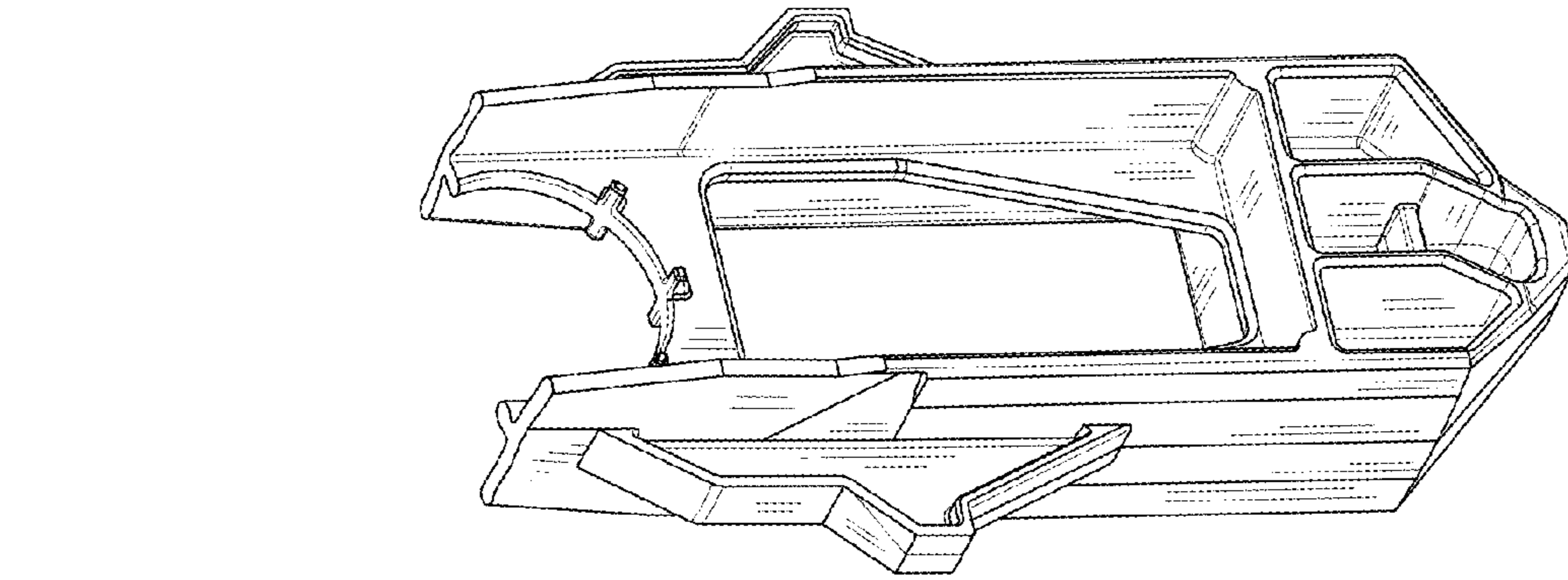


FIG. 1

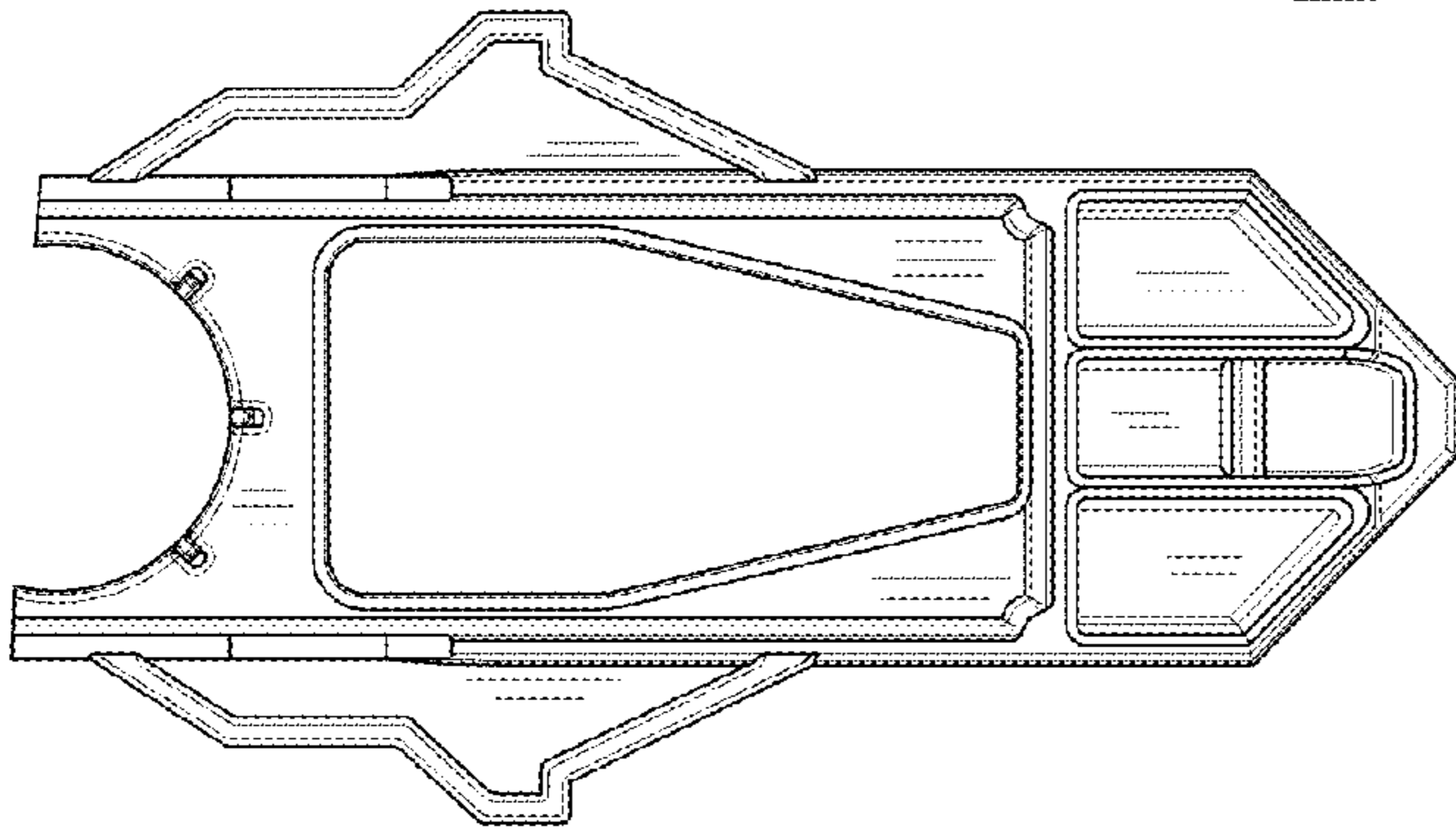


FIG. 3

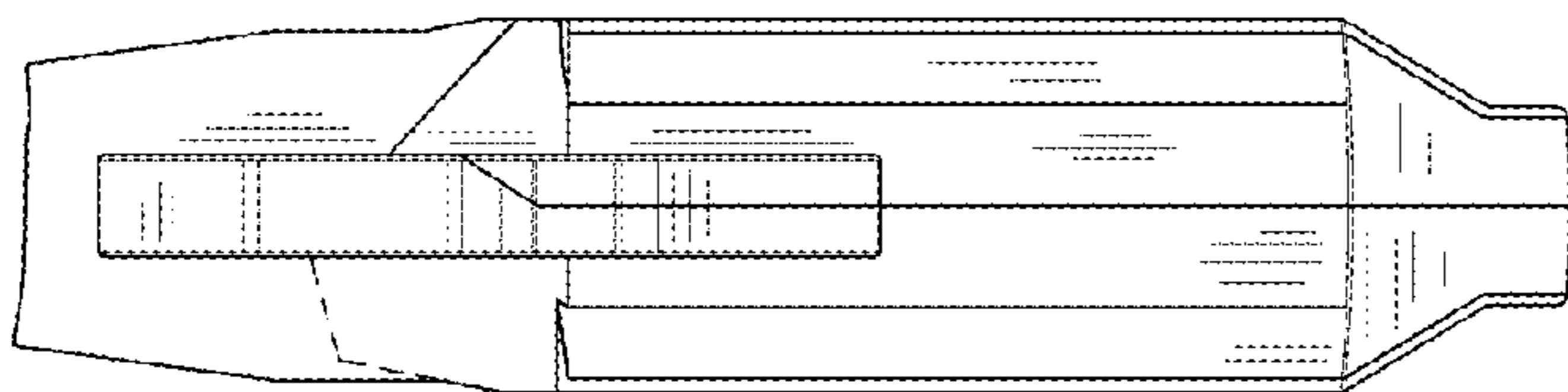


FIG. 5

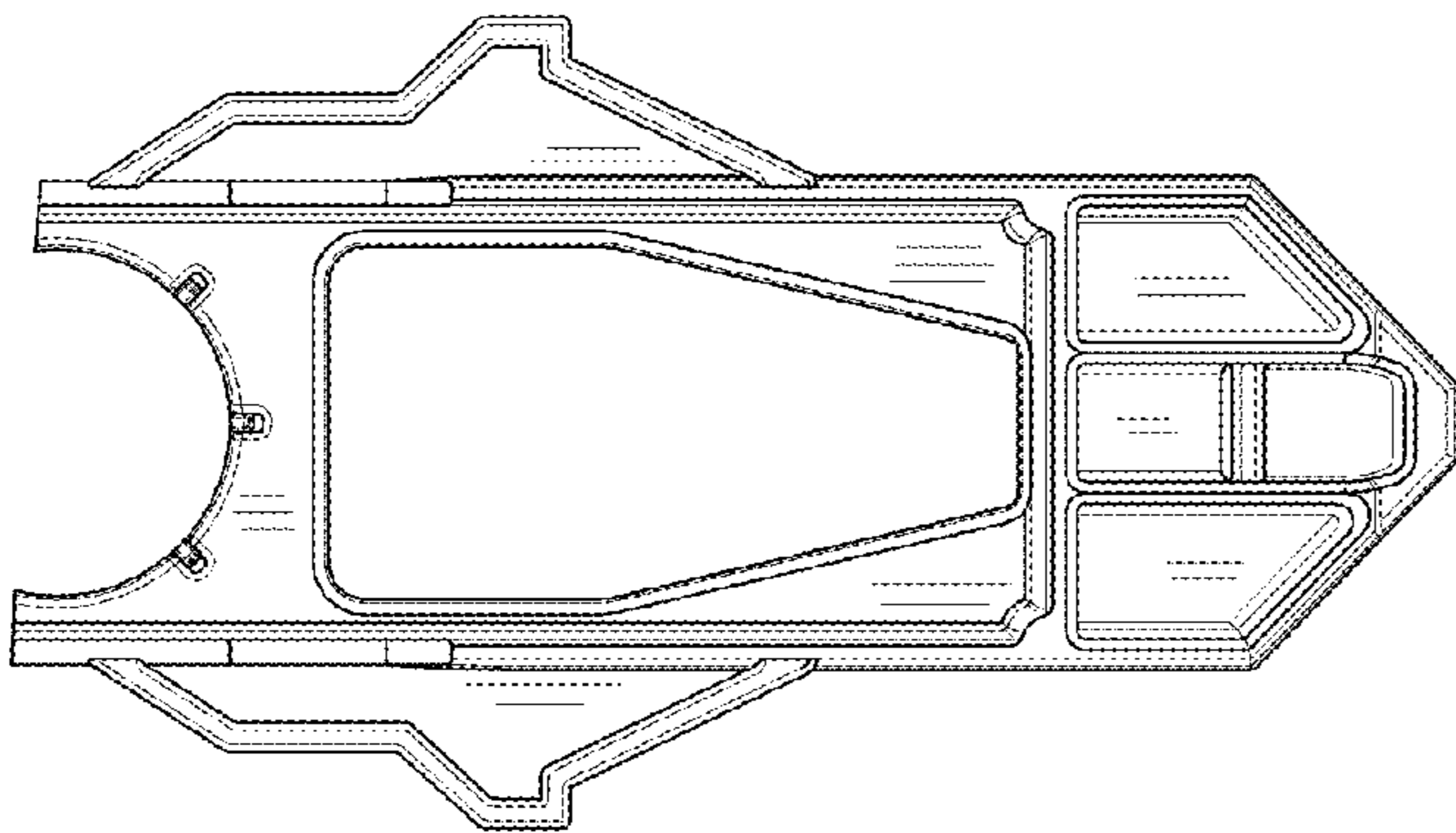


FIG. 2

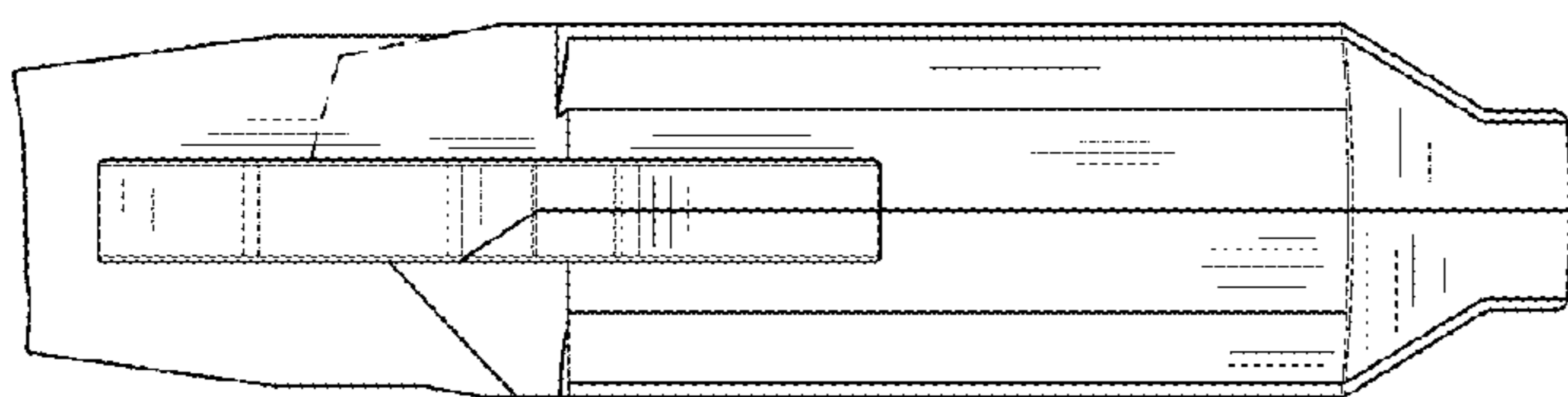


FIG. 4

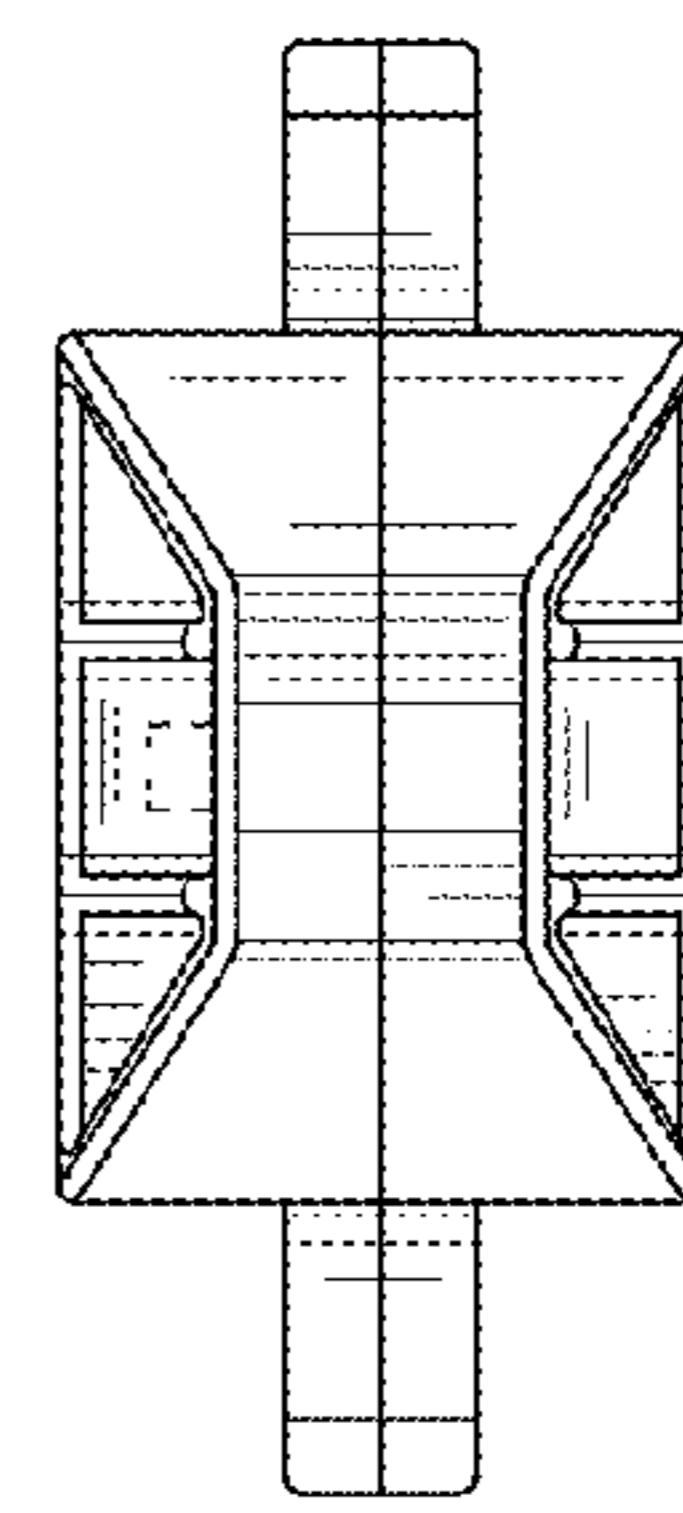


FIG. 6