



US00D811204S

(12) **United States Design Patent** (10) **Patent No.:** **US D811,204 S**
Weldon (45) **Date of Patent:** **** *Feb. 27, 2018**

(54) **EXTRUDED TRACK WITH CASTER
WHEELS FOR SUSPENDING MOVABLE
GATES**

D548,063 S * 8/2007 Allen D8/377
D585,267 S * 1/2009 Di Vinadio D8/377
D592,487 S * 5/2009 Tedesco D8/349
D595,078 S * 6/2009 Kollman D6/580
D595,984 S * 7/2009 Kollman D6/580
D667,721 S * 9/2012 Morton D25/121

(71) Applicant: **Weldon Industries, Inc.**, Tampa, FL
(US)

(Continued)

(72) Inventor: **Mark Weldon**, Tampa, FL (US)

Primary Examiner — Derrick Holland

Assistant Examiner — Yolanda Robinson

(73) Assignee: **Weldon Industries, Inc.**, Tampa, FL
(US)

(74) *Attorney, Agent, or Firm* — Christopher Paradies;
Paradies Law P.A.

(*) Notice: This patent is subject to a terminal dis-
claimer.

(57) **CLAIM**

(**) Term: **15 Years**

The ornamental design for a extruded track with caster
wheels for suspending movable gates, as shown and
described.

(21) Appl. No.: **29/555,750**

DESCRIPTION

(22) Filed: **Feb. 24, 2016**

(51) **LOC (11) Cl.** **08-05**

(52) **U.S. Cl.**
USPC **D8/377**

(58) **Field of Classification Search**
USPC D8/105, 354, 356, 377, 370–372, 373,
D8/380–382, 325, 499; D20/15, 41–43,
D20/99; D25/60, 122, 125
CPC A47F 5/0025; A47F 5/0068; A47F 1/126;
A47F 2005/0012; A47F 5/00; A47F 5/10;
A47F 7/08; A47F 7/145; A47F 7/285
See application file for complete search history.

FIG. 1 is a bottom perspective view of an extruded track
with caster wheels for suspending movable gates as
assembled in use.

FIG. 2 is a top perspective view thereof;

FIG. 3 is a bottom plan view thereof;

FIG. 4 is a top plan view thereof;

FIG. 5 is a left view thereof;

FIG. 6 is a rear view thereof, the front being a mirror image;

FIG. 7 is a top perspective view of an extruded track with
caster wheels for suspending movable gates shown sepa-
rated for ease of illustration;

FIG. 8 is a bottom perspective view thereof;

FIG. 9 is a top plan view thereof;

FIG. 10 is a bottom plan view thereof;

FIG. 11 is a side view thereof; and,

FIG. 12 is a front view thereof, the rear being a mirror
image.

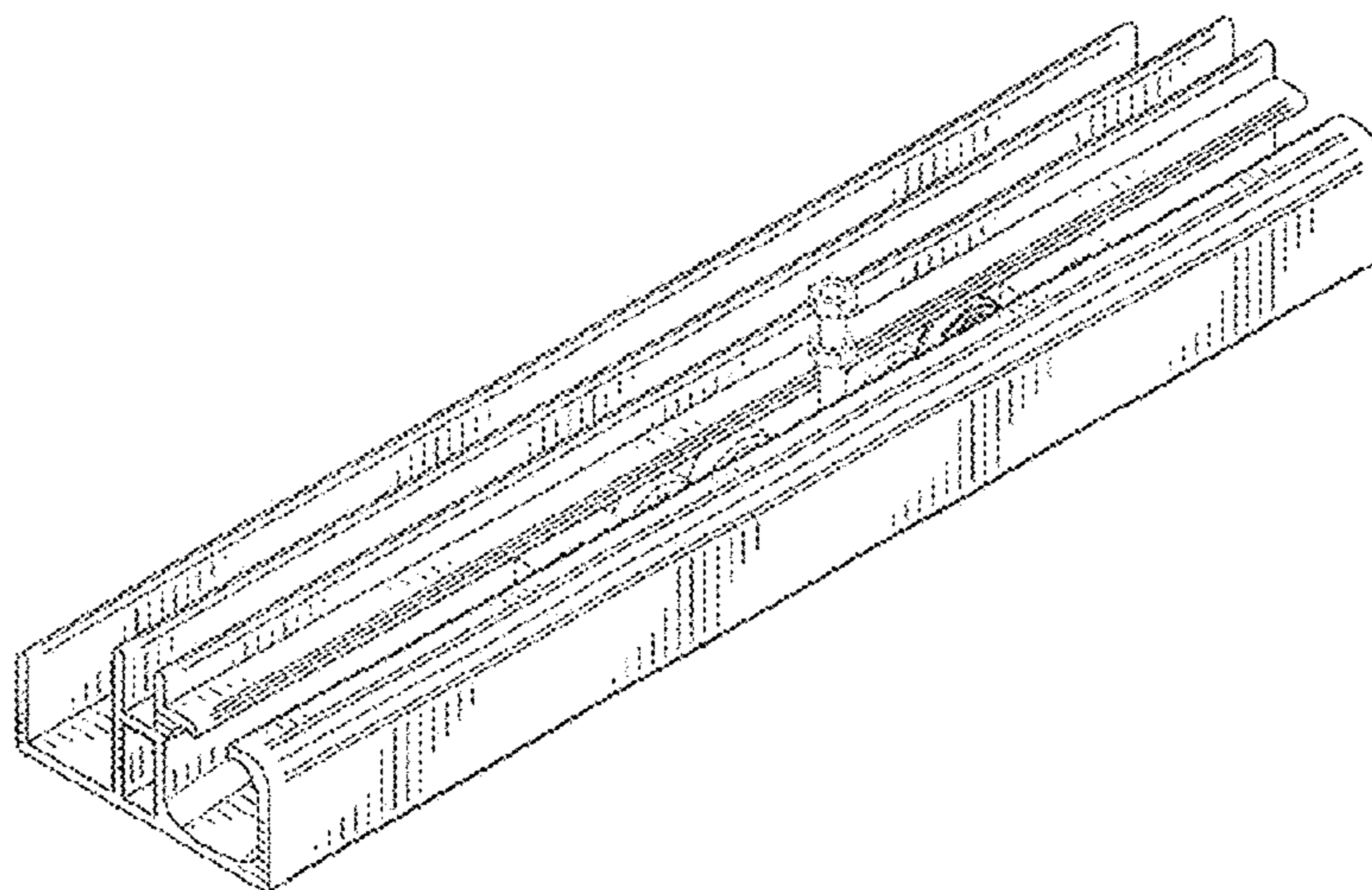
The broken lines shown represent unclaimed subject matter
and form no part of the claimed design. No claim is made to
the design of the hidden inner surfaces of the two identical
wheels that are not shown.

(56) **References Cited**

U.S. PATENT DOCUMENTS

D258,537 S * 3/1981 Cribben D25/125
D310,775 S * 9/1990 Ruonala D8/377
5,584,459 A * 12/1996 Meyer E06B 9/323
160/902
D419,858 S * 2/2000 Bosgoed D25/121
D450,234 S * 11/2001 Bosgoed D8/377
D488,055 S * 4/2004 Ter Braak D8/377
D541,140 S * 4/2007 Allen D8/377

1 Claim, 7 Drawing Sheets



(56)

References Cited

U.S. PATENT DOCUMENTS

D695,955	S	*	12/2013	Klus	D26/138
D741,689	S	*	10/2015	Metzler	D8/349
D753,576	S	*	4/2016	Burhanidust	D12/223
D755,041	S	*	5/2016	Weldon	D8/377
D767,381	S	*	9/2016	Libreiro	D25/119
D767,382	S	*	9/2016	Libreiro	D25/119
D767,789	S	*	9/2016	Chaney	D25/124
D767,790	S	*	9/2016	Chaney	D25/124
D767,792	S	*	9/2016	Chaney	D25/124
D769,464	S	*	10/2016	Fannan	D25/124
D771,276	S	*	11/2016	Walker	D25/119
D777,467	S	*	1/2017	White	D6/512
D781,681	S	*	3/2017	Nagaki	D8/354
D784,561	S	*	4/2017	Hetherington	D25/124

* cited by examiner

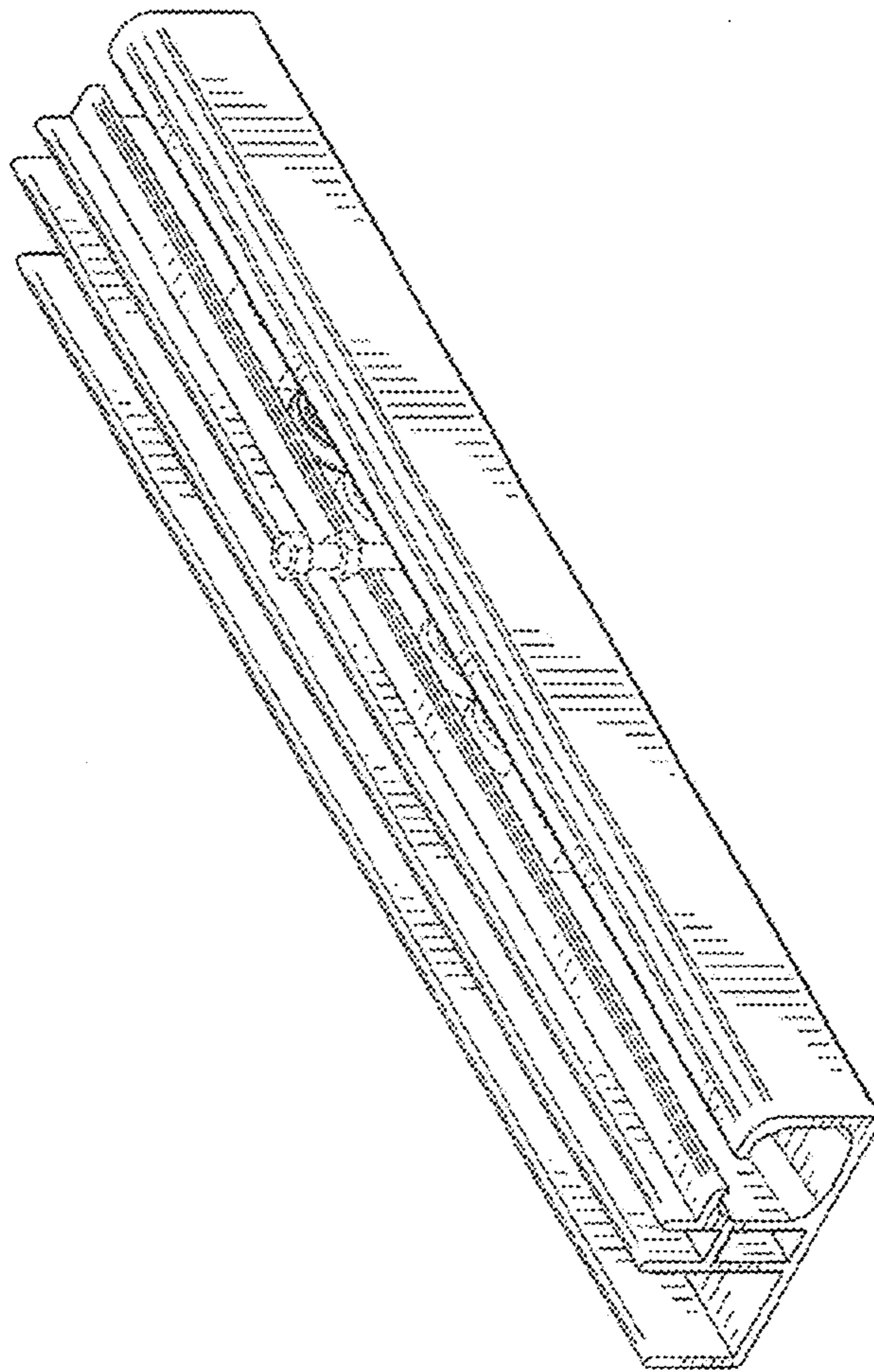


FIG. 1

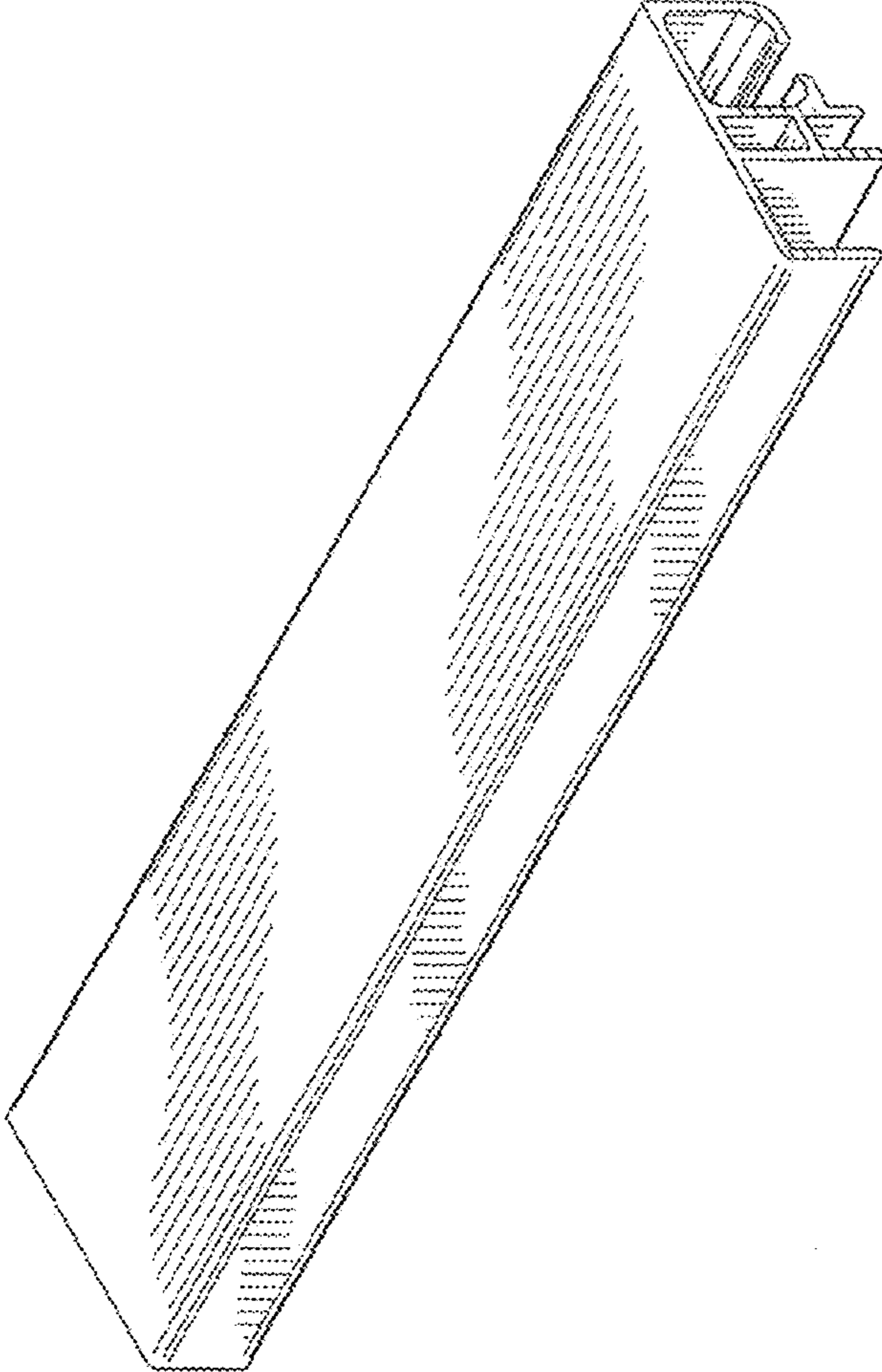


FIG. 2

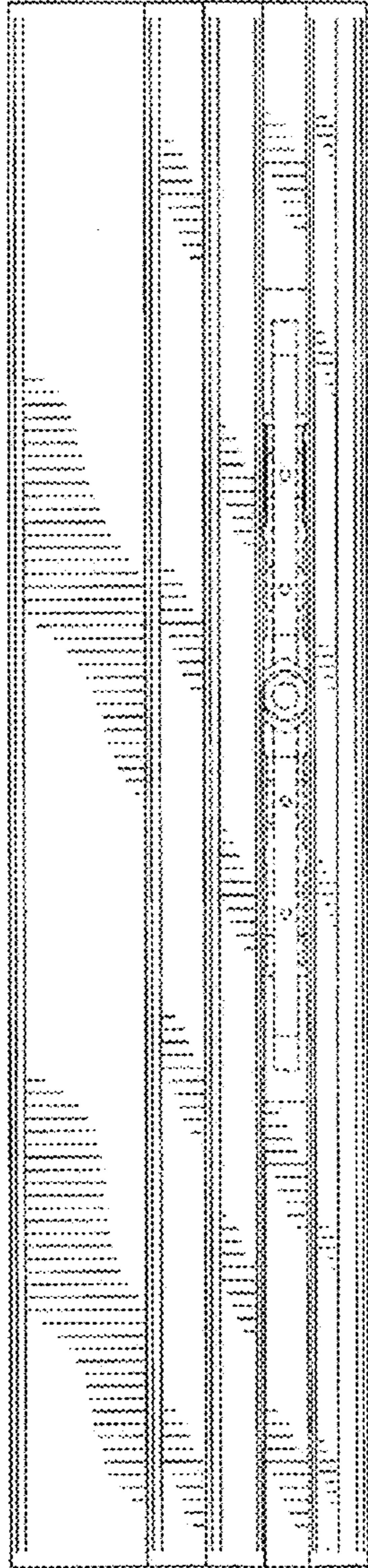


FIG. 3

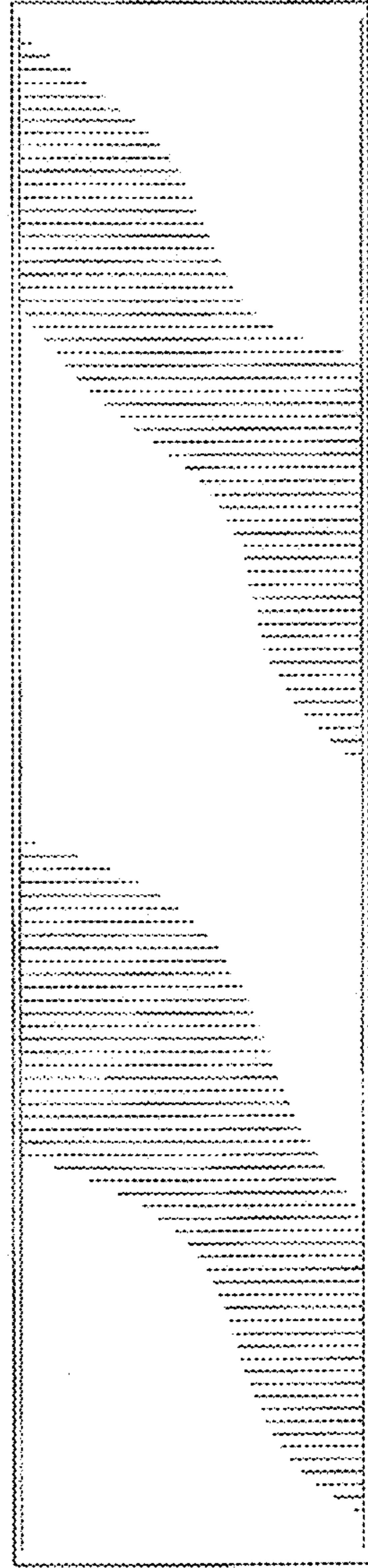


FIG. 4

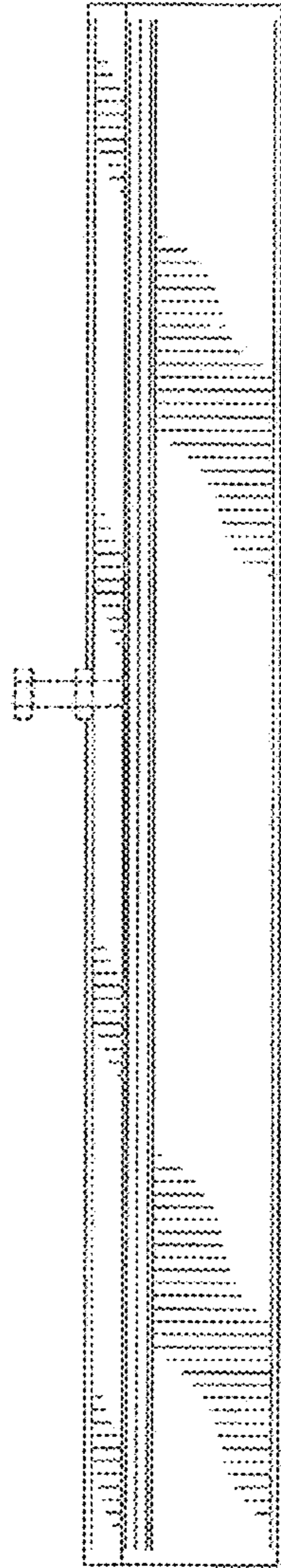


FIG. 5

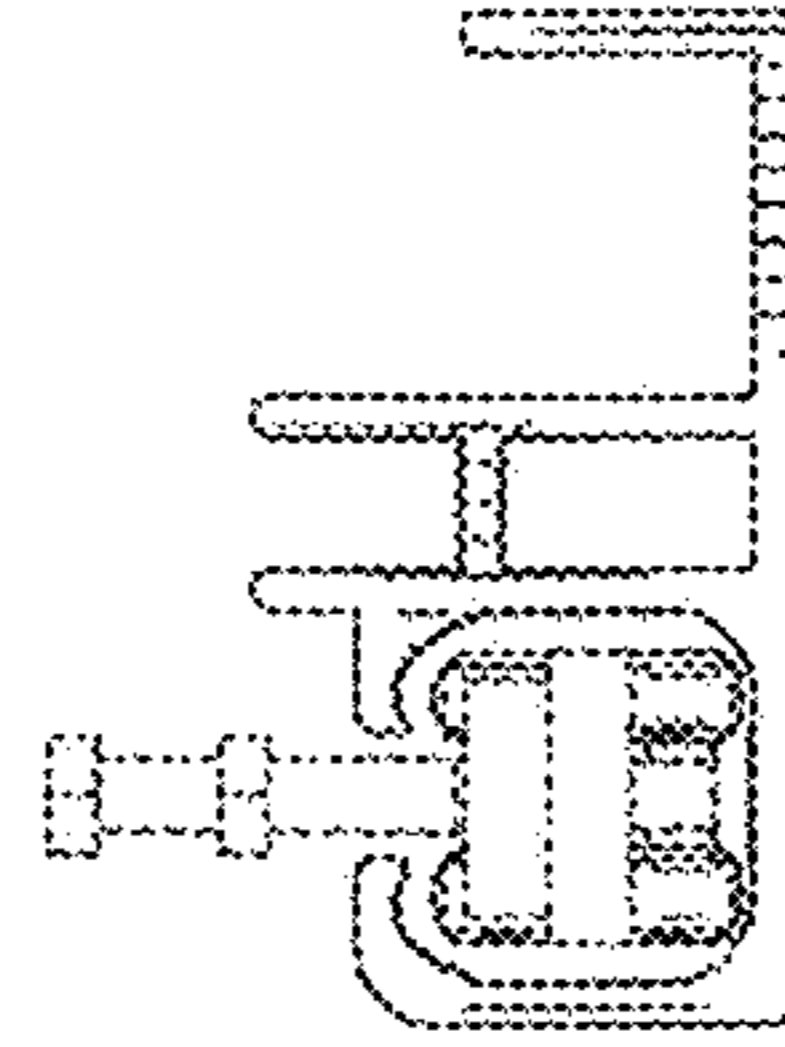


FIG. 6

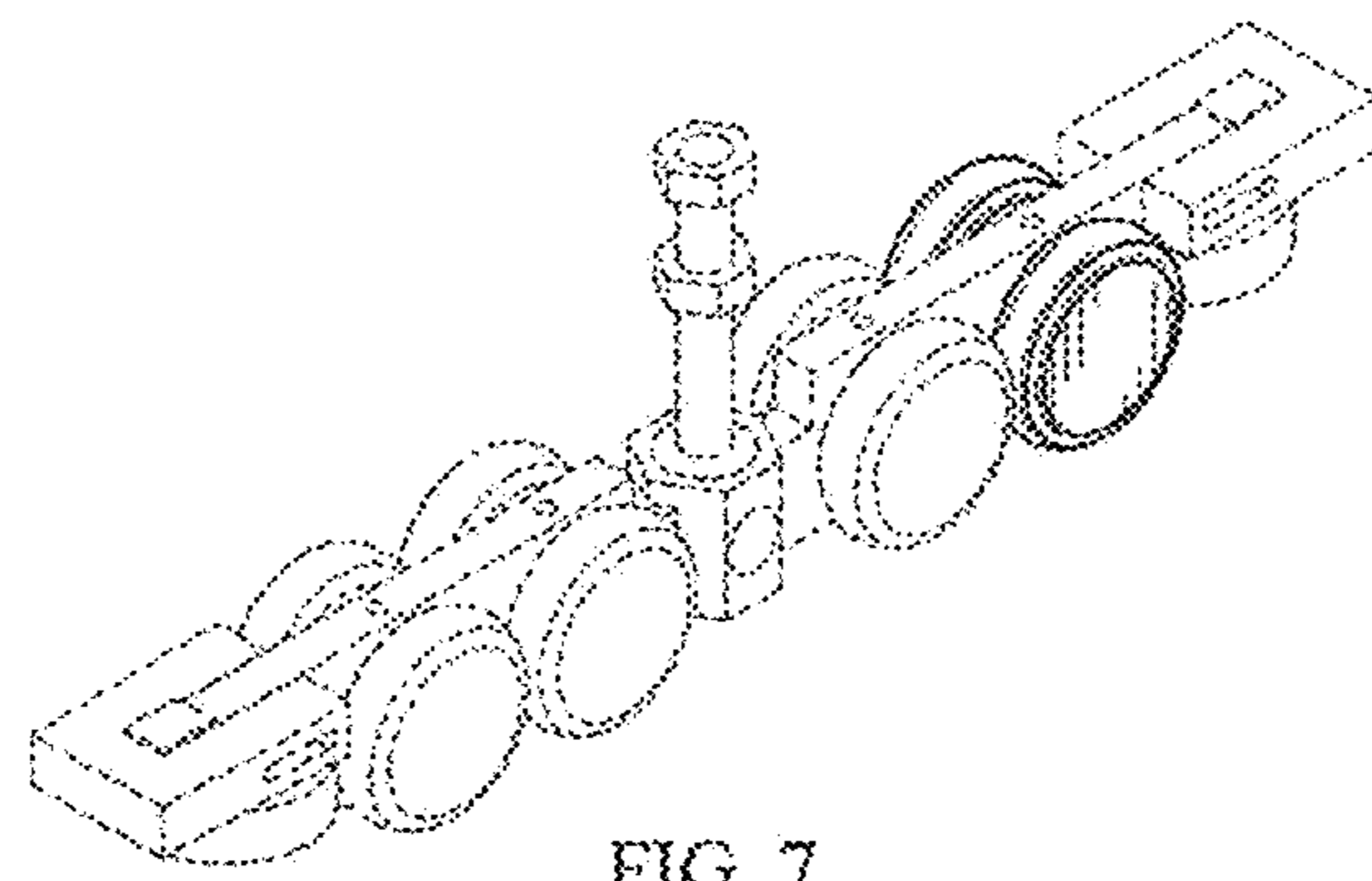


FIG. 7

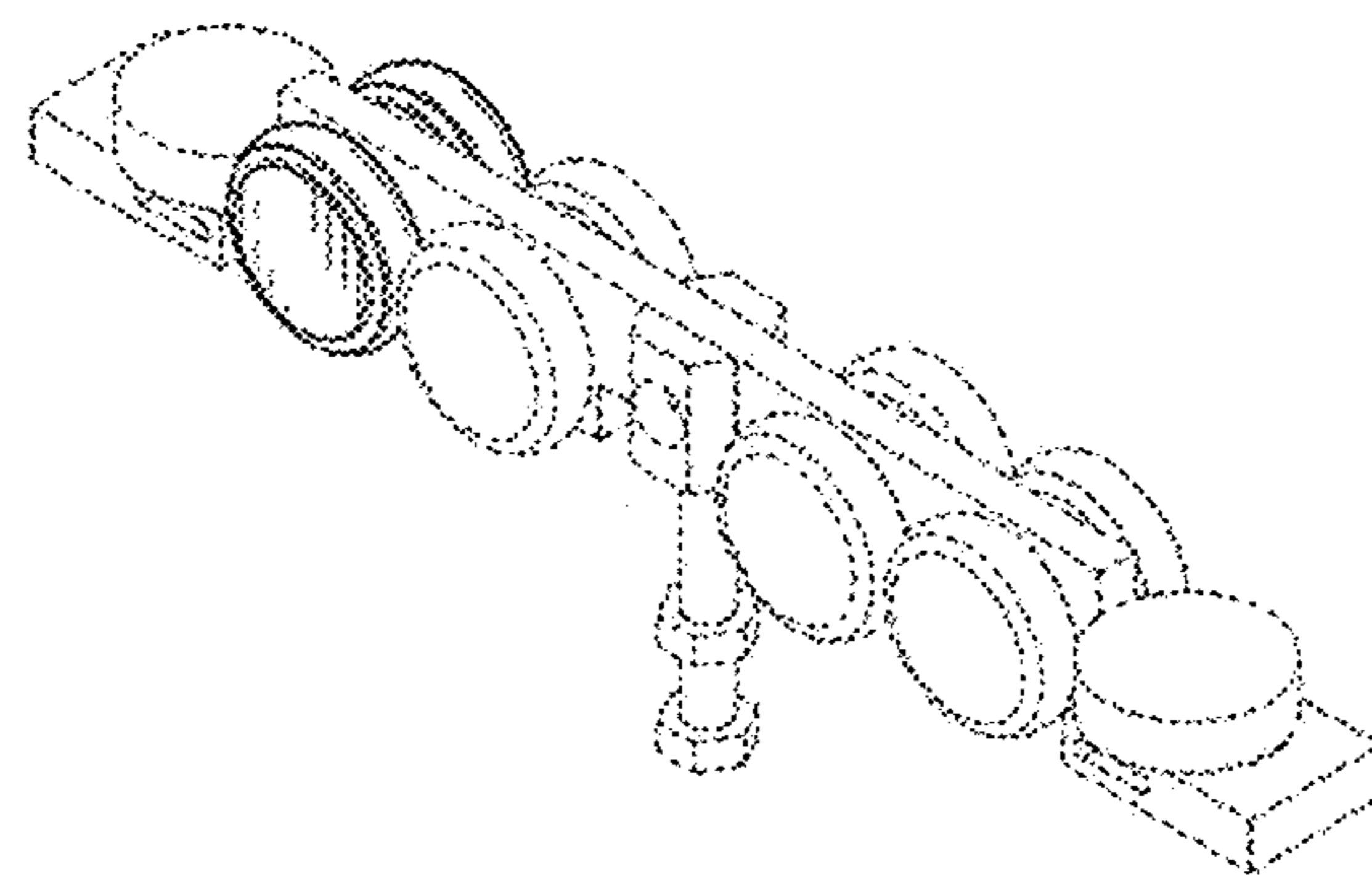


FIG. 8

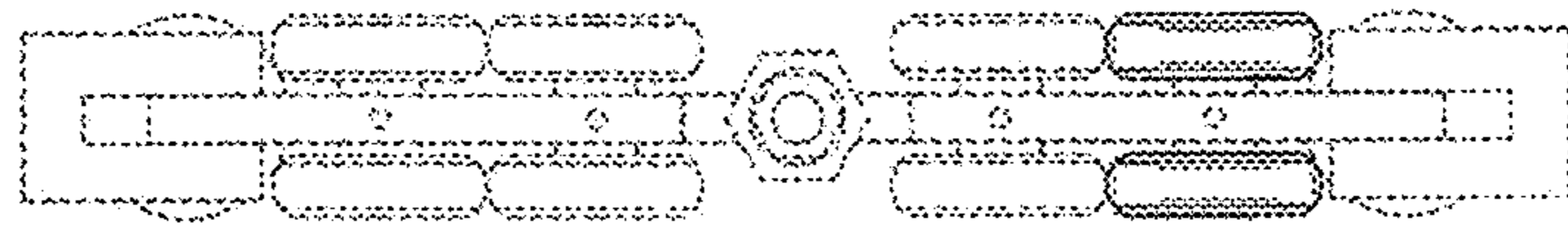


FIG. 9

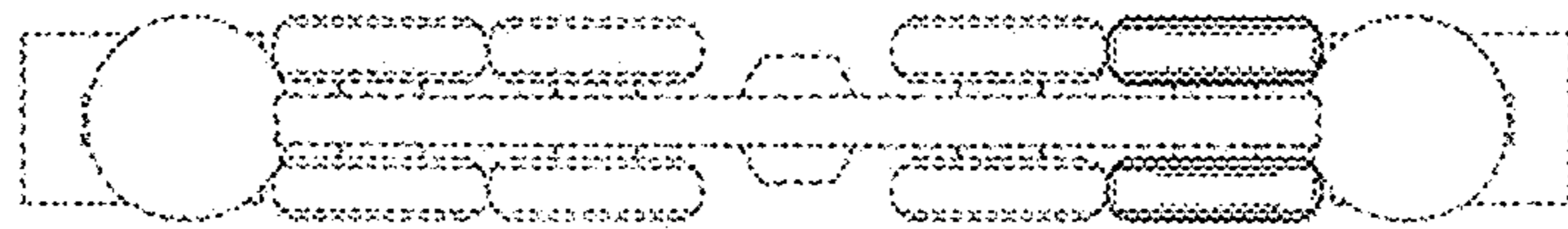


FIG. 10

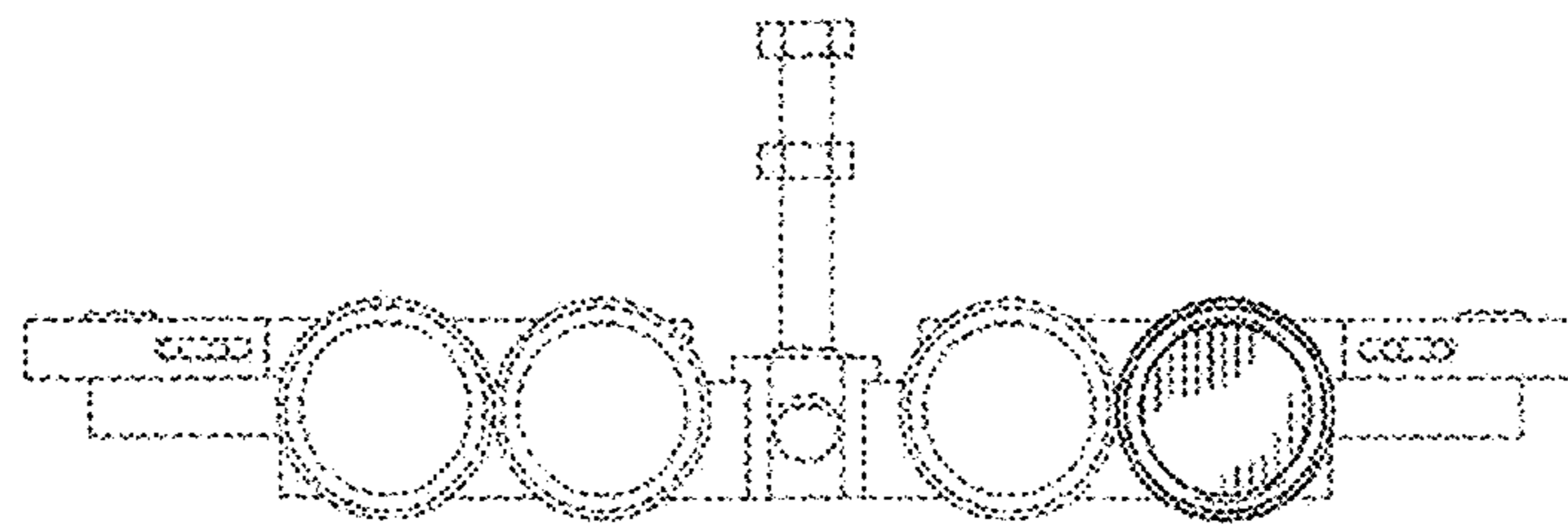


FIG. 11

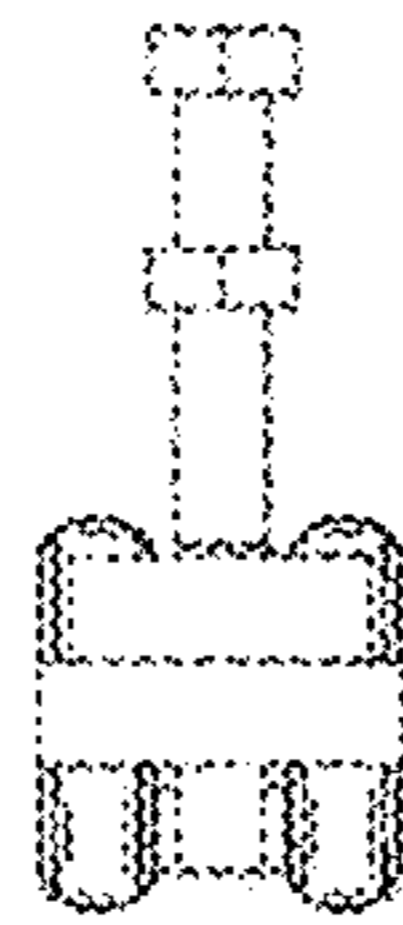


FIG. 12