



US00D811203S

(12) **United States Design Patent**  
**Chou**

(10) **Patent No.:** **US D811,203 S**

(45) **Date of Patent:** **\*\* Feb. 27, 2018**

(54) **BRACKET FOR DECORATIVE FRAME FOR  
A WINDOW CURTAIN RAIL**

(71) Applicant: **Tser Wen Chou**, Yorba Linda, CA (US)

(72) Inventor: **Tser Wen Chou**, Yorba Linda, CA (US)

(\*\*) Term: **15 Years**

(21) Appl. No.: **29/561,957**

(22) Filed: **Apr. 21, 2016**

**Related U.S. Application Data**

(63) Continuation of application No. 14/825,128, filed on  
Aug. 12, 2015, now Pat. No. 9,617,785.

(51) **LOC (11) Cl.** ..... **08-05**

(52) **U.S. Cl.**  
USPC ..... **D8/376**

(58) **Field of Classification Search**  
USPC ..... D8/300, 301, 321, 377, 363, 366, 373;  
D25/119, 125  
CPC ..... E05D 15/0652  
See application file for complete search history.

(56) **References Cited**

**U.S. PATENT DOCUMENTS**

D299,760 S \* 2/1989 Hagg ..... D25/119  
D300,255 S \* 3/1989 Schmidt ..... D25/119

D300,565 S \* 4/1989 Meshulam ..... D25/119  
D305,366 S \* 1/1990 Ripley ..... D25/119  
D305,367 S \* 1/1990 Ripley ..... D25/119  
D329,708 S \* 9/1992 Valentin ..... D25/125  
D335,624 S \* 5/1993 Siener ..... D25/123  
D612,519 S \* 3/2010 Brabeck ..... D25/119  
D760,403 S \* 6/2016 Bilge ..... D25/125  
D795,463 S \* 8/2017 Marshall ..... D25/125

\* cited by examiner

*Primary Examiner* — Robert M. Spear

*Assistant Examiner* — Eliza Bennett-Hattan

(74) *Attorney, Agent, or Firm* — Guice Patents PLLC

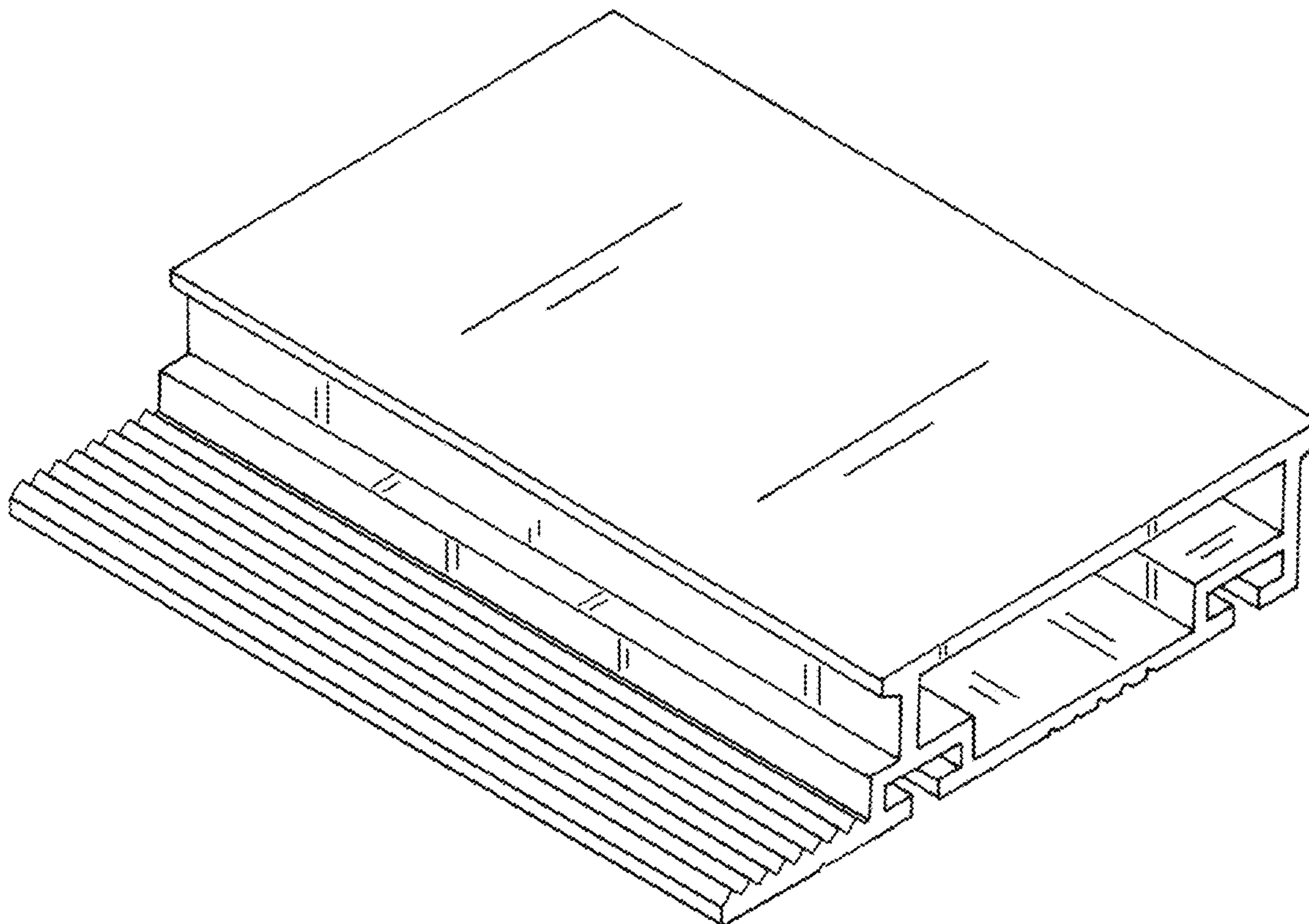
(57) **CLAIM**

The ornamental design for a bracket for decorative frame for  
a window curtain rail, as shown and described.

**DESCRIPTION**

FIG. 1 is a perspective view of a bracket for decorative  
frame for a window curtain rail;  
FIG. 2 is a front view thereof;  
FIG. 3 is a rear view thereof;  
FIG. 4 is a left side view thereof;  
FIG. 5 is a right side view thereof;  
FIG. 6 is a top view thereof; and,  
FIG. 7 is a bottom view thereof.

**1 Claim, 4 Drawing Sheets**



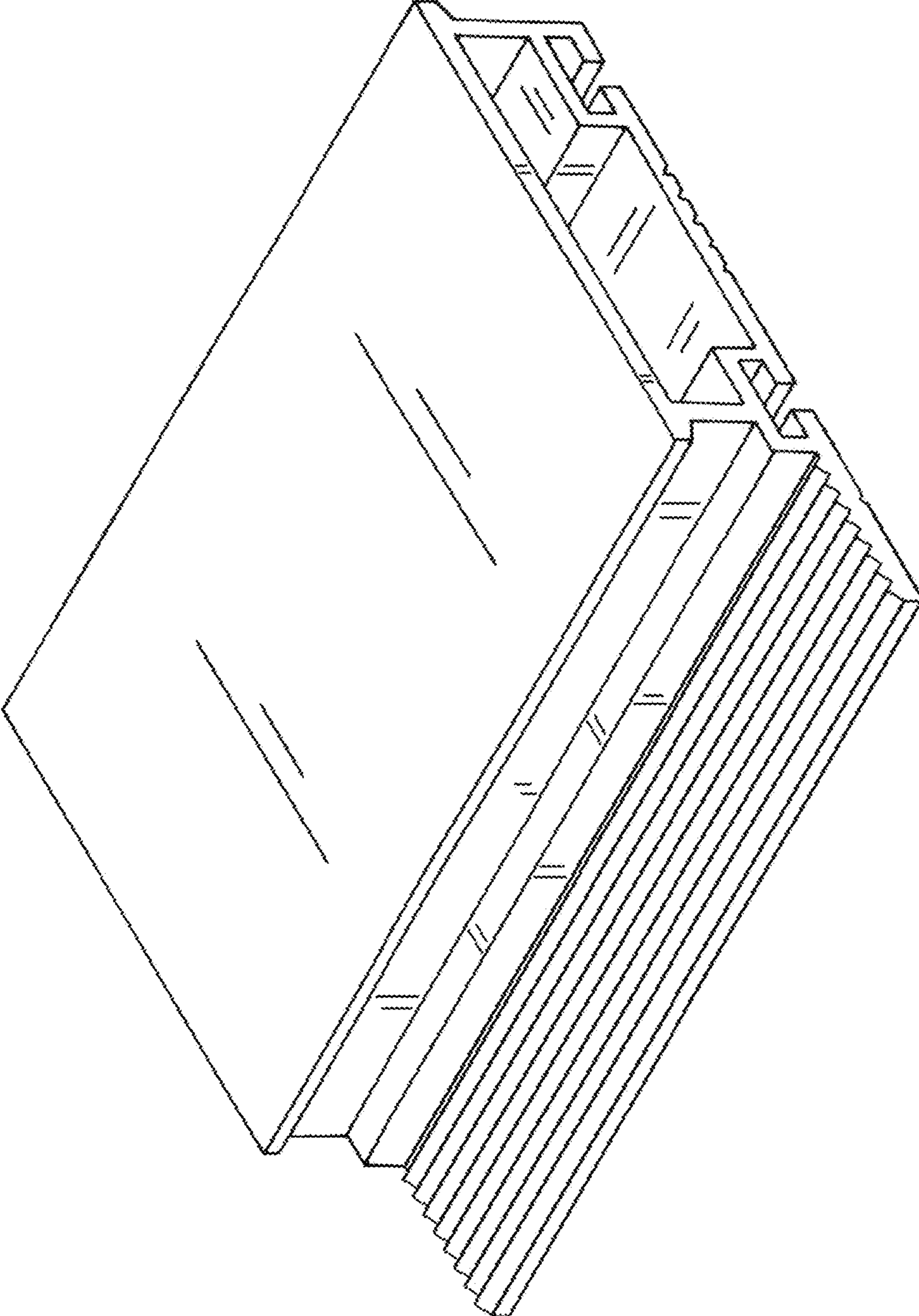


FIG.1

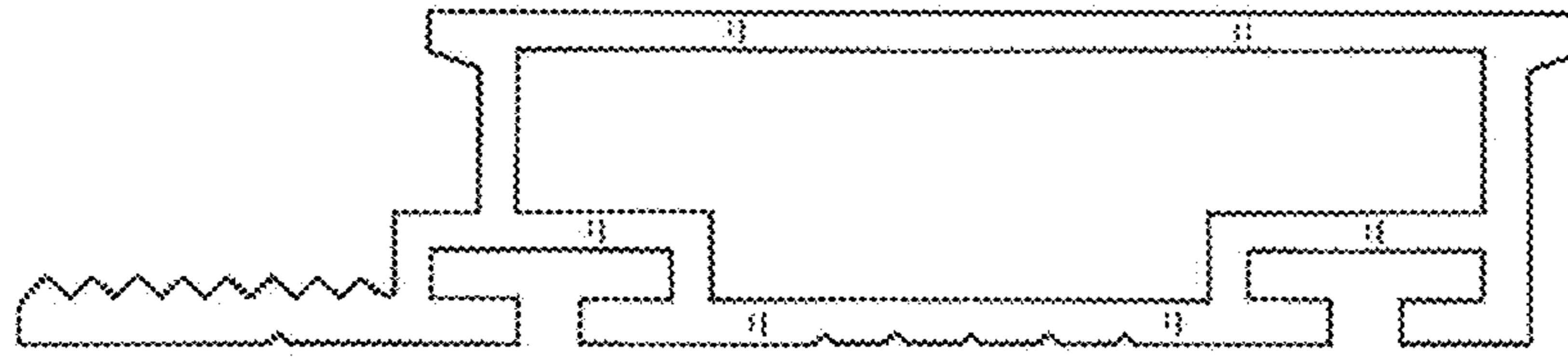


FIG. 2

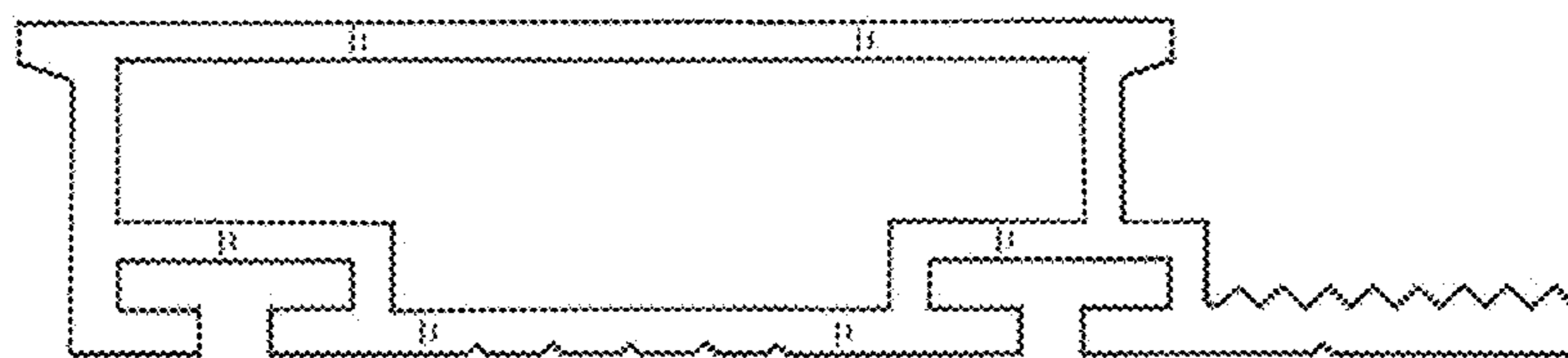


FIG. 3

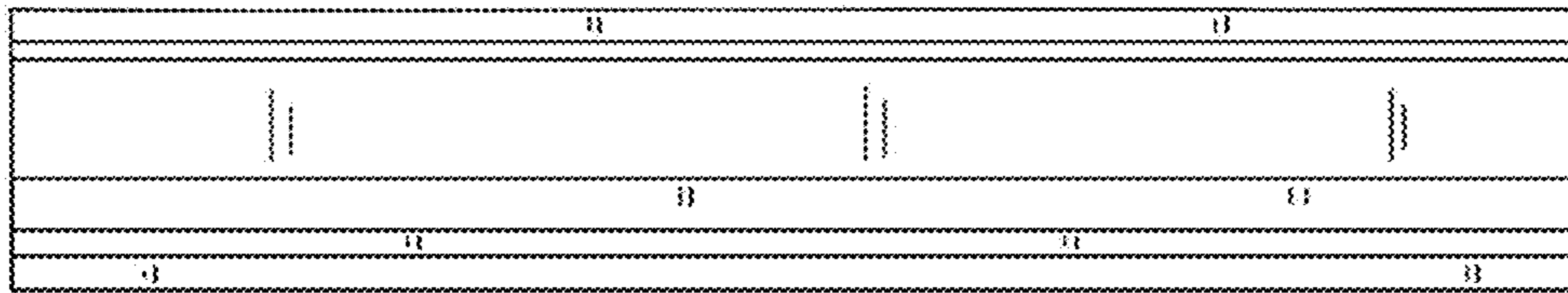


FIG. 4



FIG. 5

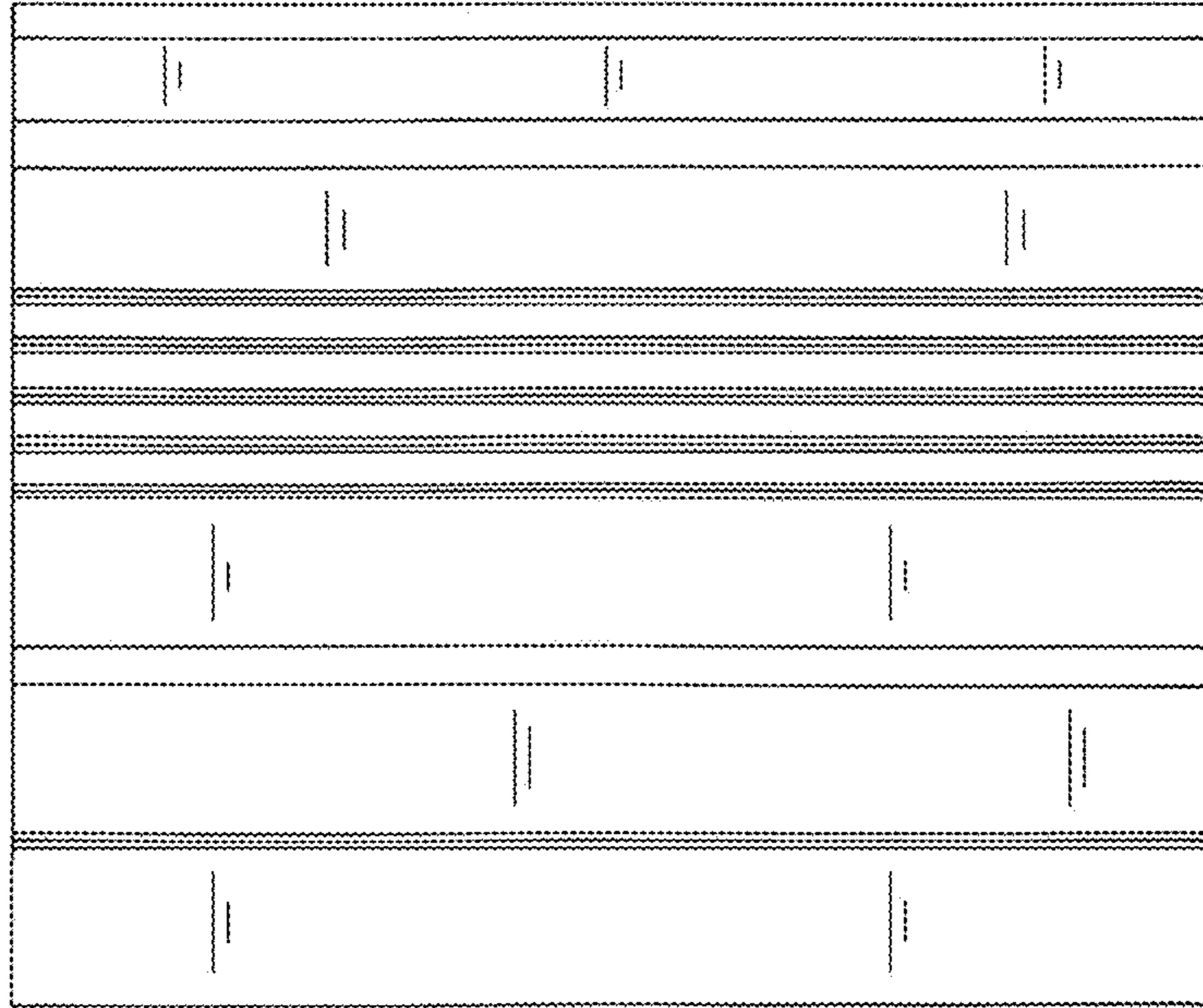


FIG. 7

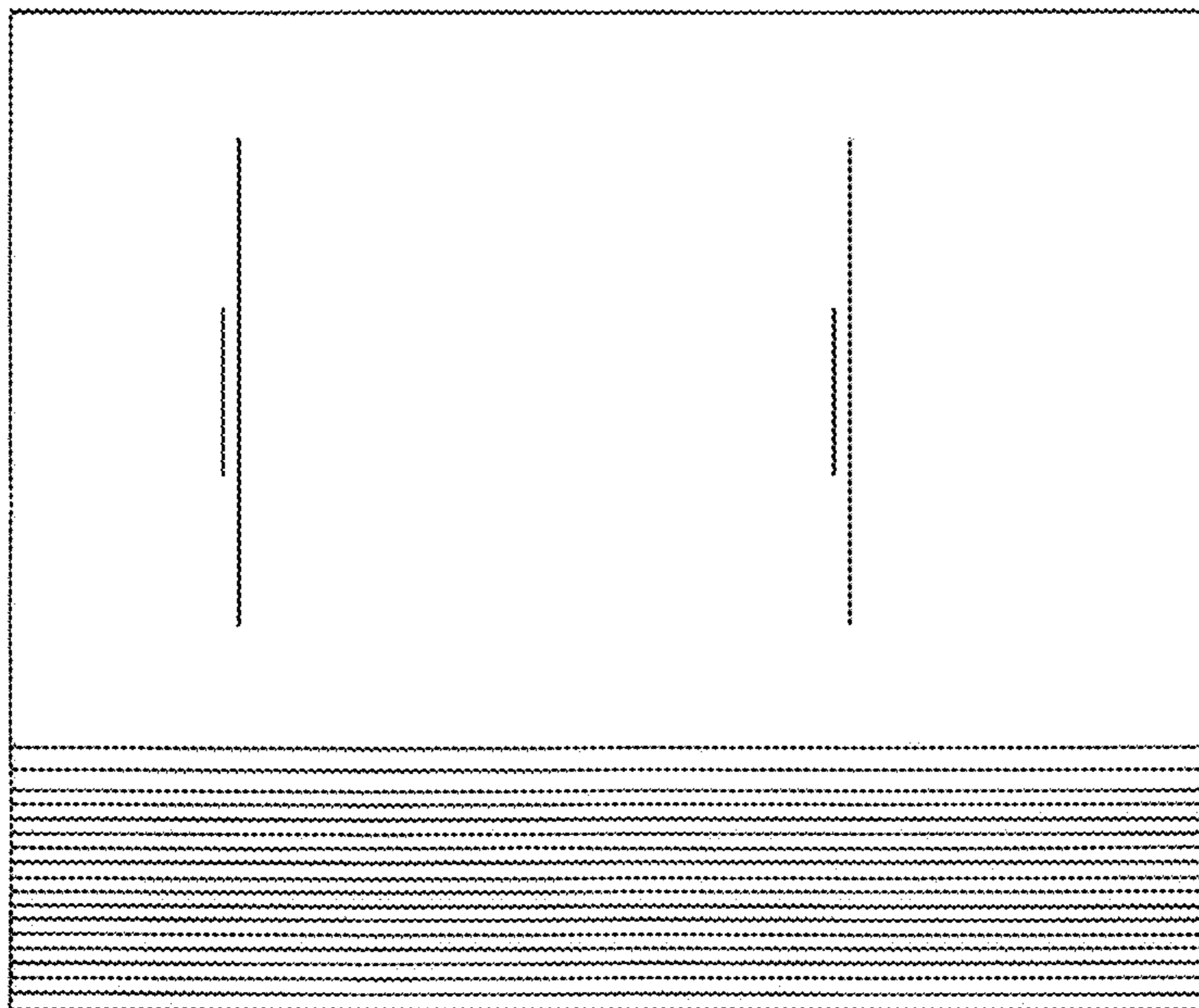


FIG. 6