



US00D811202S

(12) **United States Design Patent** (10) **Patent No.:** **US D811,202 S**
Goodman et al. (45) **Date of Patent:** **** Feb. 27, 2018**

- (54) **TOOL HOLDER**
- (71) Applicant: **Spectrum Diversified Designs, LLC**,
Streetsboro, OH (US)
- (72) Inventors: **Aaron Goodman**, Beachwood, OH
(US); **Courtney Wilson**, Chardon, OH
(US)
- (73) Assignee: **Spectrum Diversified Designs, LLC**,
Streetsboro, OH (US)
- (**) Term: **15 Years**
- (21) Appl. No.: **29/591,091**
- (22) Filed: **Jan. 17, 2017**
- (51) **LOC (11) Cl.** **08-05**
- (52) **U.S. Cl.**
USPC **D8/370**
- (58) **Field of Classification Search**
USPC D8/349–356, 358, 359, 363, 365, 366,
D8/371, 373, 374, 375, 380, 381, 382,
D8/387, 391, 393, 394, 396, 370, 367;
D14/239, 126, 451
CPC .. F16B 7/0466; F16B 7/04; F16L 3/00; E04B
2001/405; B60B 33/0089; B60B 33/0097;
F16M 13/02; F16M 13/025
See application file for complete search history.

(56) **References Cited**

U.S. PATENT DOCUMENTS

- D323,971 S * 2/1992 Williams D8/369
- D324,314 S * 3/1992 Licari D6/323
- 5,304,086 A * 4/1994 Bolli A63H 33/042
446/104
- D355,112 S * 2/1995 Richeson D8/367
- D440,147 S * 4/2001 Rimback D8/363
- D448,650 S * 10/2001 Vrame D8/354

- D672,230 S * 12/2012 Laverack D8/396
- D740,106 S * 10/2015 Cooper D8/356
- D744,819 S * 12/2015 Dalisay D8/394
- D748,970 S * 2/2016 Santarelli D20/42
- D801,784 S * 11/2017 Simon D8/356
- D804,938 S * 12/2017 Wesley D8/367
- 2013/0221172 A1 * 8/2013 Owen A47G 25/145
248/205.3

OTHER PUBLICATIONS

Amazon.com: Stanley 819595 Zinc Plated (2C) Multiple Tool Holder. Published Aug. 27, 2014. Retrieved from the internet at <<https://www.amazon.com/St Stanley-819595-Plated-Multiple-Holder/dp/B000KL08OM/>>, Dec. 19, 2017. 1 page.*
 Richelieu Hardware Steel Multiple-Tool Holder for 3/4 in. Peg-board—<http://www.homedepot.com>; Dec. 16, 2016.

* cited by examiner

Primary Examiner — Rosemary K Tarcza
Assistant Examiner — Christy Nemeth

(74) *Attorney, Agent, or Firm* — Tucker Ellis LLP;
 Patrick F. Clunk

(57) **CLAIM**

The ornamental design for a tool holder, as shown and described.

DESCRIPTION

FIG. 1 is a perspective view of a tool holder showing our new design.

FIG. 2 is a rear view thereof.

FIG. 3 is a front view thereof.

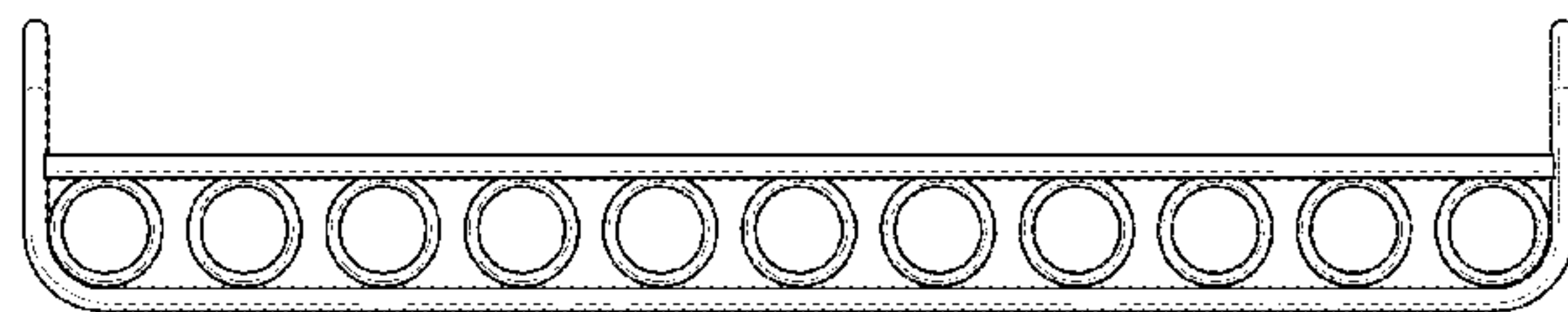
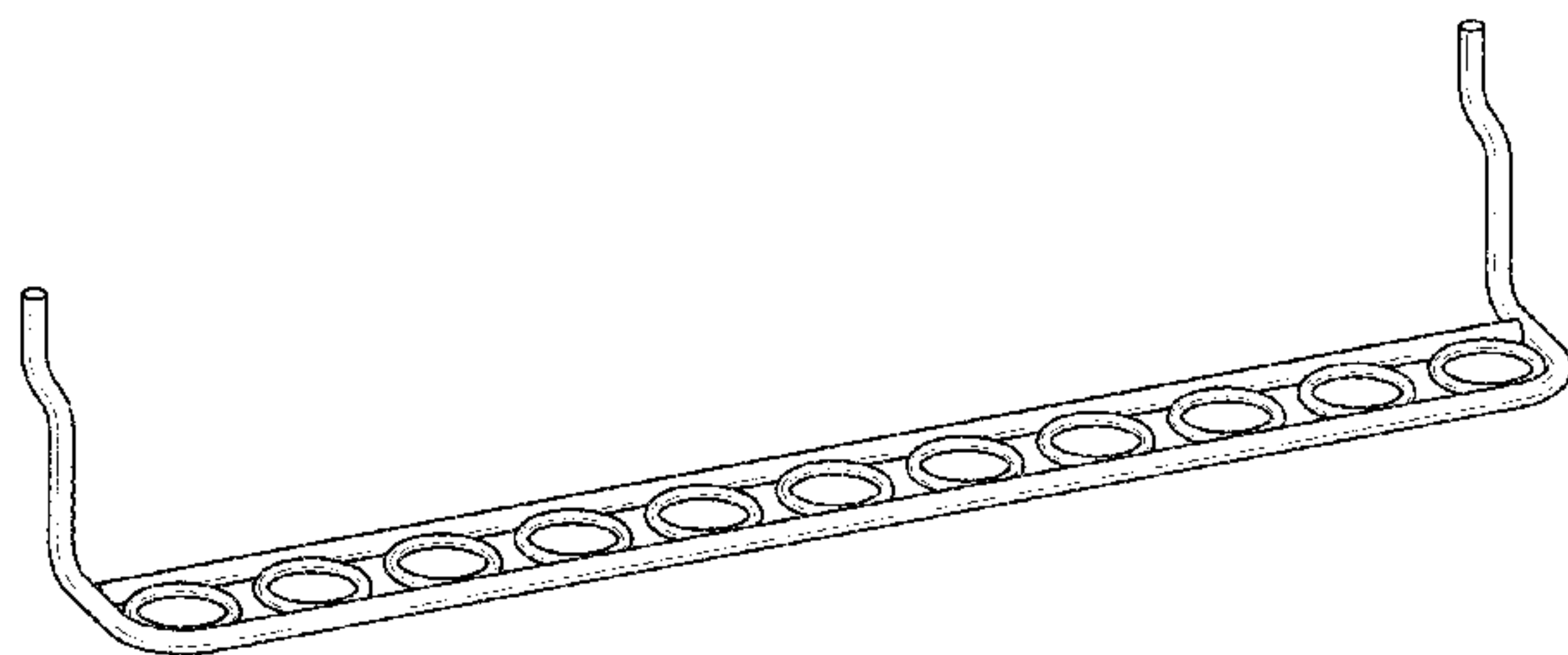
FIG. 4 is a right side view thereof.

FIG. 5 is a left side view thereof.

FIG. 6 is a top view thereof; and,

FIG. 7 is a bottom view thereof.

1 Claim, 4 Drawing Sheets



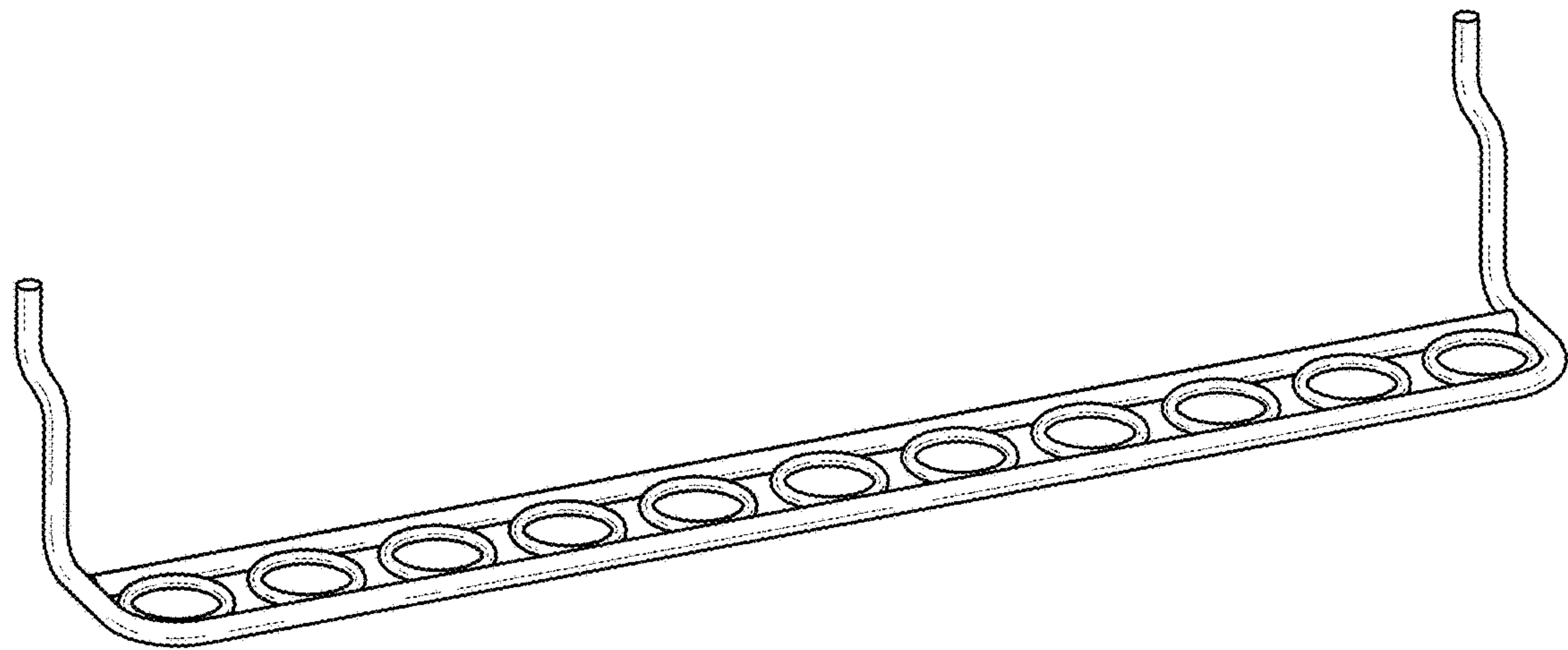


FIG. 1



FIG. 2



FIG. 3

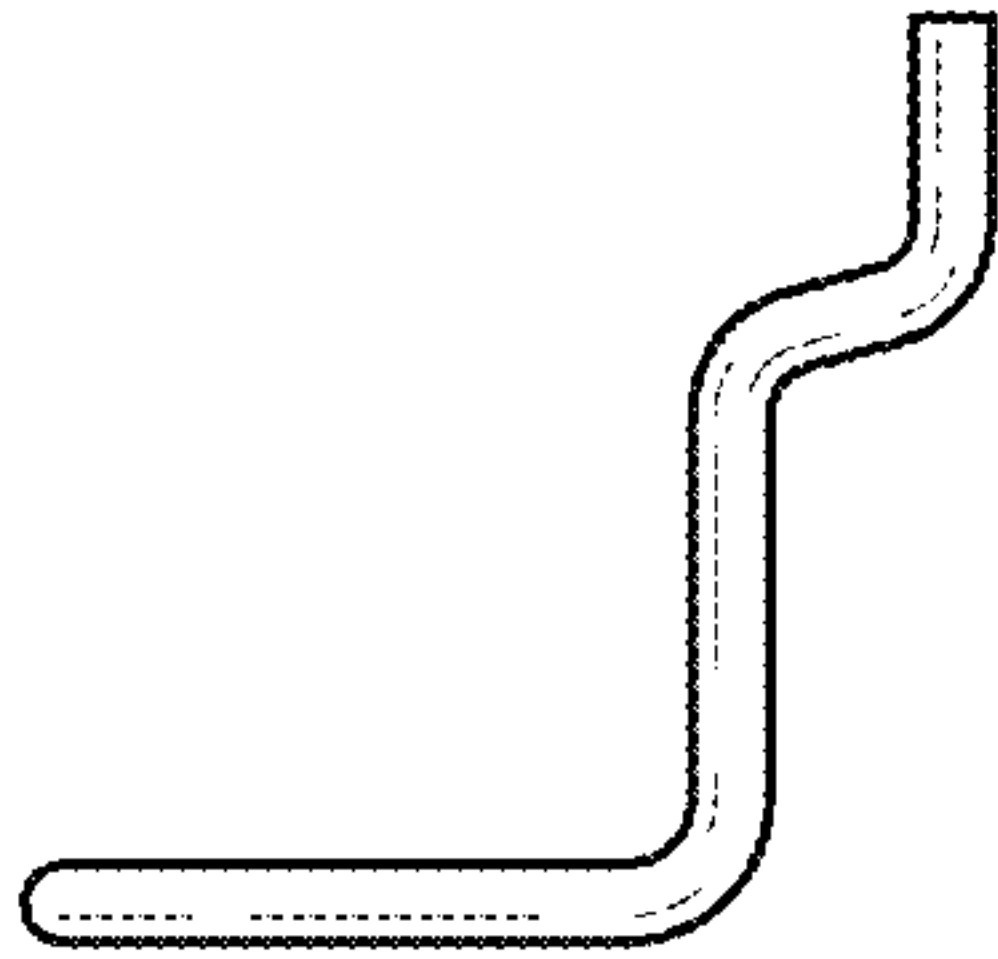


FIG. 4

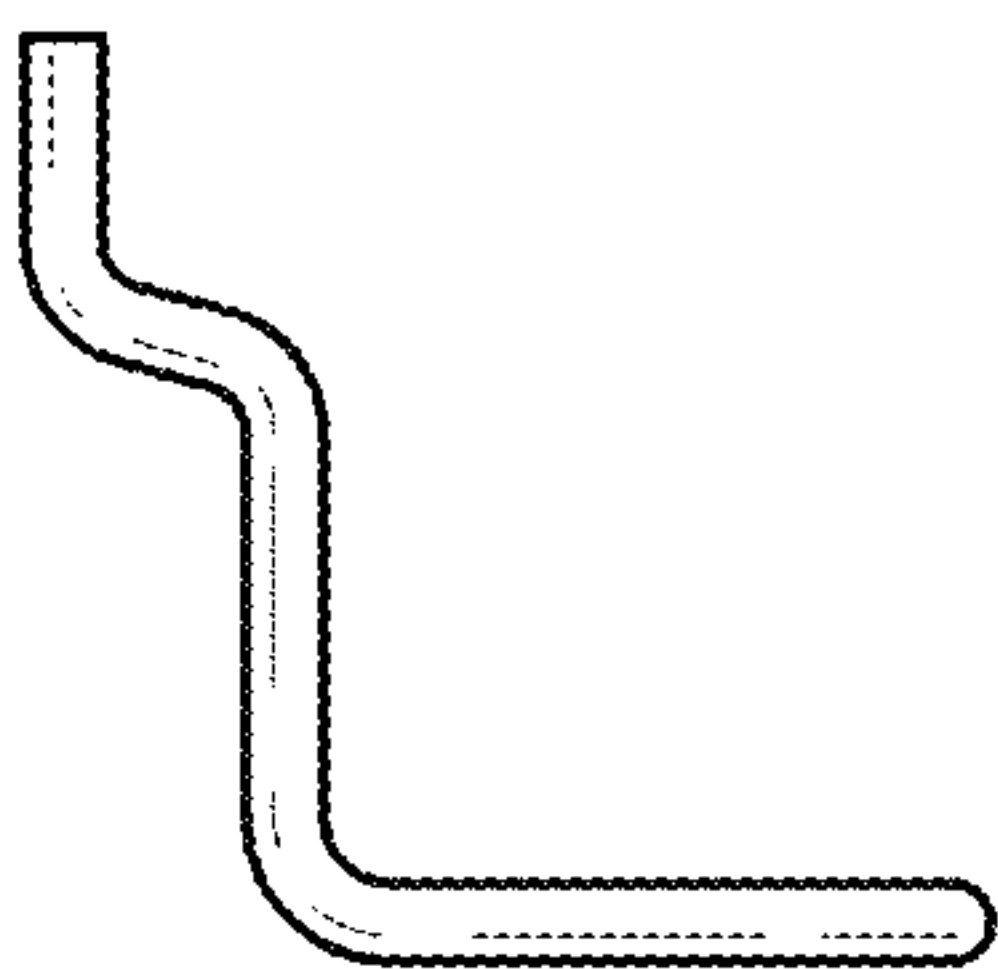


FIG. 5

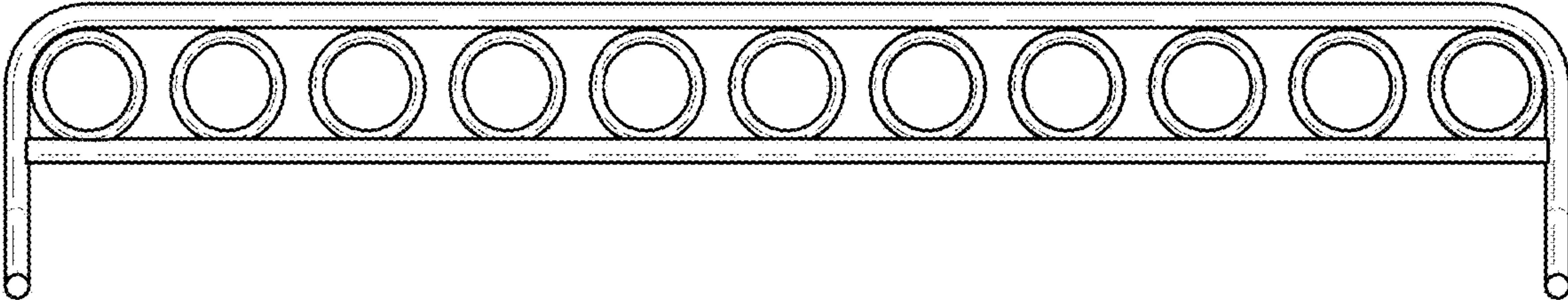


FIG. 6

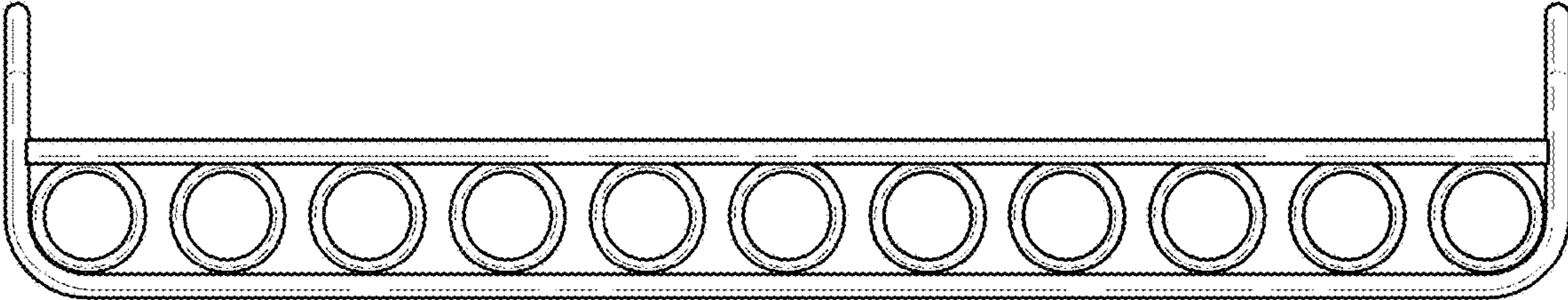


FIG. 7