



US00D811199S

(12) **United States Design Patent**  
**Bacallao**

(10) **Patent No.:** **US D811,199 S**

(45) **Date of Patent:** **\*\* Feb. 27, 2018**

(54) **CORNER MOUNT FIXTURE**

(71) Applicant: **Wal-Mart Stores, Inc.**, Bentonville, AR (US)

(72) Inventor: **Yurgis Mauro Bacallao**, Centerton, AR (US)

(73) Assignee: **WAL-MART STORES, INC.**, Bentonville, AR (US)

(\*\*) Term: **15 Years**

(21) Appl. No.: **29/572,493**

(22) Filed: **Jul. 28, 2016**

(51) **LOC (11) Cl.** ..... **08-08**

(52) **U.S. Cl.**  
USPC ..... **D8/349**

(58) **Field of Classification Search**  
USPC ..... D8/349, 354, 374, 380, 381, 373, 363, D8/355; D14/447, 451, 238, 251  
CPC ..... F16M 11/04; F16M 11/00; F16M 11/06; F16M 11/20; F16M 11/02; A45F 5/10; G06F 1/1632; A47B 23/04; F16B 2/00  
See application file for complete search history.

(56) **References Cited**

**U.S. PATENT DOCUMENTS**

3,076,627 A	2/1963	Huron	
D242,510 S *	11/1976	Enckler	D6/566
D287,817 S	1/1987	Henin	
D299,809 S	2/1989	Hagedorn	
D327,214 S	6/1992	Stuart	
D357,400 S	4/1995	Sachs	
D408,266 S	4/1999	Santiago	
D420,278 S	2/2000	Coffy et al.	
D427,888 S *	7/2000	Hannon	D8/354
D432,901 S	10/2000	Mcdonald	

6,285,758 B1 9/2001 Lu  
6,511,251 B2 1/2003 Howell  
6,769,750 B2 8/2004 Hughes et al.  
6,957,978 B2 10/2005 Zoller

(Continued)

**OTHER PUBLICATIONS**

“Corner Bracket Levelers, 4 pack”, Woodcraft.com, Woodcraft Supply LLC, first accessed on Jun. 29, 2016; 2 pages.

(Continued)

*Primary Examiner* — Mark Goodwin

(74) *Attorney, Agent, or Firm* — Schmeiser, Olsen & Watts LLP

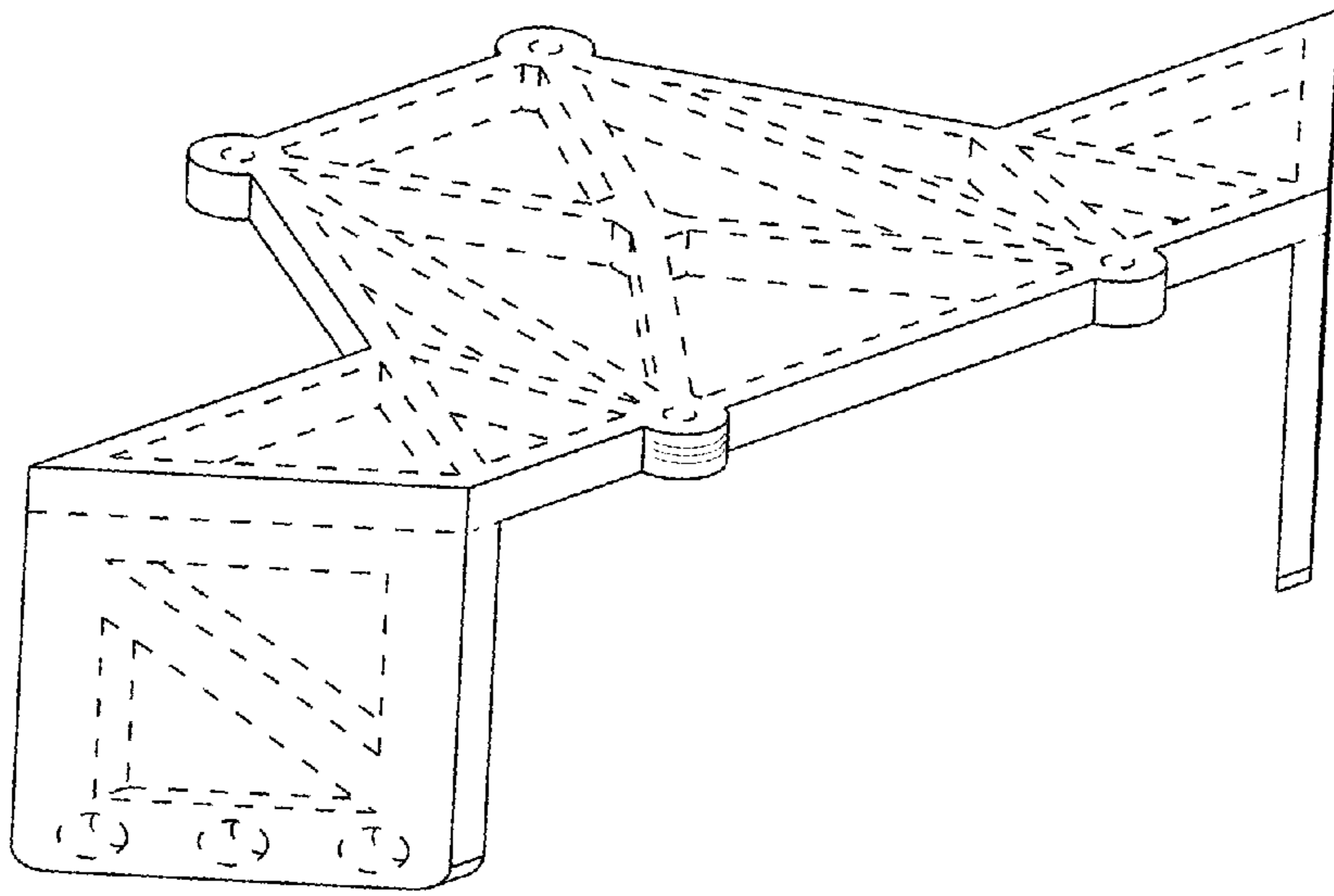
(57) **CLAIM**

An ornamental design for a corner mount fixture, as shown and described.

**DESCRIPTION**

FIG. 1 is a front perspective view of a corner mount fixture, in accordance with an embodiment;  
FIG. 2 is a bottom perspective view of the corner mount fixture of FIG. 1;  
FIG. 3 is a front view of the corner mount fixture of FIG. 1;  
FIG. 4 is a rear view of the corner mount fixture of FIG. 1;  
FIG. 5 is a right side view of the corner mount fixture of FIG. 1;  
FIG. 6 is a left side view of the corner mount fixture of FIG. 1;  
FIG. 7 is a top view of the corner mount fixture of FIG. 1;  
FIG. 8 is a bottom view of the corner mount fixture of FIG. 1; and,  
FIG. 9 is a front perspective view of the corner mount fixture of FIG. 1 coupled to a corner of a piece of furniture.  
In the drawings, thin and/or broken lines illustrate contours, and/or details which form no part of the claimed design.

**1 Claim, 6 Drawing Sheets**





(56)

References Cited

U.S. PATENT DOCUMENTS

D513,969 S \* 1/2006 Schurr ..... D8/354  
 D516,023 S 2/2006 Quinn  
 7,154,039 B1 12/2006 Marszalek et al.  
 D542,632 S 5/2007 Hill  
 D546,366 S 7/2007 Dittmer  
 D573,008 S 7/2008 Sipe  
 D574,222 S \* 8/2008 Golias, Jr. .... D34/38  
 D606,384 S \* 12/2009 Antonic ..... D8/354  
 D608,111 S \* 1/2010 Rubin ..... D6/515  
 D643,708 S 8/2011 Hecht  
 8,077,449 B2 \* 12/2011 Mi ..... F16M 11/041  
 206/710  
 D674,637 S \* 1/2013 London ..... D6/553  
 8,548,536 B1 10/2013 Gunnip  
 D705,040 S 5/2014 Konrad et al.  
 8,713,858 B1 5/2014 Xie  
 8,729,852 B2 5/2014 Tsai et al.  
 D711,736 S \* 8/2014 Strom ..... D9/416  
 D714,616 S \* 10/2014 Walker ..... D8/349  
 D726,174 S 4/2015 Wahlin  
 9,022,337 B2 \* 5/2015 Petruskavich ..... F16M 11/041  
 248/176.1  
 D734,305 S \* 7/2015 Wengreen ..... D14/238  
 9,115,846 B2 \* 8/2015 Maier ..... B60T 8/3685  
 9,128,668 B2 \* 9/2015 Johnson ..... G06F 1/1626  
 9,131,195 B2 9/2015 Wengreen et al.  
 9,165,174 B2 10/2015 Huck  
 9,179,565 B2 11/2015 Cho  
 D744,317 S \* 12/2015 Densberger ..... D8/354  
 D744,459 S \* 12/2015 Cummings ..... D14/238  
 9,272,829 B2 \* 3/2016 Wynnich ..... B65D 7/00  
 D761,236 S \* 7/2016 Wengreen ..... D14/238.1  
 D795,266 S \* 8/2017 Williams ..... D14/447  
 D796,302 S \* 9/2017 Bright ..... D8/354  
 2002/0148935 A1 10/2002 Chambers  
 2008/0079388 A1 4/2008 Sarnowsky et al.  
 2011/0157805 A1 \* 6/2011 Mi ..... F16M 11/041  
 361/679.22  
 2013/0093386 A1 4/2013 Tsai et al.  
 2013/0153720 A1 \* 6/2013 Petruskavich ..... F16M 11/041  
 248/187.1  
 2013/0161054 A1 6/2013 Allison et al.  
 2013/0278050 A1 \* 10/2013 Maier ..... B60T 8/3685  
 303/113.2  
 2014/0091193 A1 \* 4/2014 Simon ..... A47B 23/02  
 248/451  
 2015/0041622 A1 \* 2/2015 Mulhern ..... F16M 11/041  
 248/688  
 2015/0070839 A1 \* 3/2015 Johnson ..... G06F 1/1626  
 361/679.56  
 2015/0144754 A1 5/2015 Elharar  
 2015/0201113 A1 \* 7/2015 Wood ..... G03B 17/561  
 348/376  
 2015/0289396 A1 10/2015 Hwang et al.  
 2016/0204636 A1 7/2016 Allen et al.  
 2017/0339937 A1 \* 11/2017 Erdmann ..... A01K 97/10  
 2017/0347780 A1 \* 12/2017 Bacallao ..... A45F 5/10

OTHER PUBLICATIONS

“HighPoint Corner Bracket Levelers 4-piece”, Woodcraft.com, Woodcraft Supply LLC, first accessed on Jun. 29, 2016; 2 pages.  
 “Pack of 10 Heavy Duty Corner Braces 50mm Angle Bracket F Plate New”, Ebay.com, White Hinge Ltd, first accessed on Jun. 29, 2016; 4 pages.  
 “Screw-on Corner Braces, 4-Pack”, Rockler.com, Rockler Woodworking and Hardware, first accessed on Jun. 29, 2016; 6 pages.  
 “Glide Brackets and Systems”, USFutaba.com, U.S. Futaba, Inc., first accessed on Jun. 29, 2016; 2 pages.

“Corner Brace 2-1/2 x 2-1/2 x 3/4 in White Plastic”, OvisOnline.com, OVIS division of WIM Corp, first accessed on Jun. 29, 2016; 4 pages.  
 Tram-browning, “L-Bracket 1255 3/4 Hole Stainless Steel NMO 3/4 Hole Mount L Bracket Mobile Antennas Motorola Kenwood Vertex HYT for UHF VHF Coam NMO Mount Cable Mobile Antennas Car Truck Hood install by tram-browning”, Amazon.com, first accessed on May 27, 2016; 5 pages.  
 10 Units crank angle bracket plastic frame angular DIY model accessories, AliExpress.com, first accessed May 27, 2016; 12 pages.  
 Repe, “High Rated Brush Coating Finish Plastic Composite Railing Metal L Shape WPC Clip Accessory”, TimberCompositeDecking.com, first accessed May 27, 2016; 2 pages.  
 Product Photos, DeckMaster.com, first accessed May 27, 2016; 10 pages.  
 Profis, Sharon, “How to mount your smartphone on a tripod (DIY)”, CNET.com, Mar. 26, 2014; 5 pages.  
 vGaurd, “vG-SDM003 Square Security Display Magnetic Mounting Holder for Cell Phone”, WelGaurd.com, first accessed on May 27, 2016; 7 pages.  
 vGuard, “vG-SDM001 Small Oval Security Display Magnet Mount + Pull Box tehter”, AliExpress.com, first accessed on May 27, 2016; 2 pages.  
 vGuard, “vG-SDM004 Small Round Security Display Magnet Mount + Pull Box”, WelGaurd.com, first accessed on May 27, 2016; 6 pages.  
 AnchorPad, “vRT Medium Retractable Tether with 29.5 Inch Cable for iPods & iPhones”, Amazon.com, first accessed on May 27, 2016; 5 pages.  
 Maurerpe, “Wall Mount for Vtech 6419 Cordless Phone”, MakerBot Thingiverse, Apr. 20, 2013; 6 pages.  
 Generic, “Television/Air Conditioner Remote Control Holder Wall Mount-Storage Box”, Amazon.com, first accessed on May 27, 2016; 6 pages.  
 Zazz, “Zazz Wall Mount for iPad/Kindle and Tablets (Black)”, Amazon.com, first accessed on May 27, 2016; 5 pages.  
 Plastic Sensor 2.0 Wall Mount Stand Holder for Zbox One Kinect 2.0—Black, Deal Extreme, DX.com, first accessed on May 28, 2016; 4 pages.  
 Sea-Dog, “Sea-Dog Removable Table Brackets—Stainless Steel”, DownwindMarine.com, first accessed on May 28, 2016; 1 page.  
 Series Accessories: Developed for your Dynaudio loudspeakers, Dynaudio.com, first accessed on May 28, 2016; 6 pages.  
 Video Mount Products Vented Wall Mount Shelf, CableOrganizer.com, first accessed on May 28, 2016; 3 pages.  
 Cell Phone Wall Charger Adapter Charging Holder Hanging Support (2-Piece), first accessed on May 28, 2016; 2 pages.  
 Mid-Century Meets Modern: Gidloof Originals—Tiagoson, Design-Milk.com, Mar. 4, 2013; 14 pages.  
 “Inon Double Hole Rubber bushing (for fiber optic cable)”, Backscatter.com, accessed on Apr. 25, 2017; 2 pages.  
 Redlinecarparts, “BMW 320D 99-06 Front Wishbone Bush with Bracket LH O,” Ebay.com, accessed on Apr. 24, 2017; 5 pages.  
 Dardytrading, “Anti-lost Pull Box Anti Theft Recoiler Retracting Display Cable Retracting Security Cable Merchandise Security Tether Security Recoiler,” DHGate.com, accessed on Apr. 24, 2017; 11 pages.  
 “Freedom Micro™,” MobileTechnic.com, Mobile Technologies Inc., accessed on Apr. 24, 2017; 5 pages.  
 “Recent RTF News and Updates: Open display, retail smartphone security devices now produced in Brazil,” RTFGlobal.com, accessed on Apr. 24, 2017; 3 pages.  
 “Code Reader 2500 CR2500 512G\_01 Barcode Scanner w/ Charger + Handle,” Ebay.com, accessed on Jun. 15, 2017; 4 pages.  
 “Wireless Laser Barcode Scanner Label Reader with Charger Base Handheld Barcode Scanning for Supermarket Shop,” DHGate.com, accessed on Jun. 15, 2017; 3 pages.  
 Notice of Allowance in U.S. Appl. No. 29/566,595, dated Jun. 30, 2017; 6 pages.

\* cited by examiner

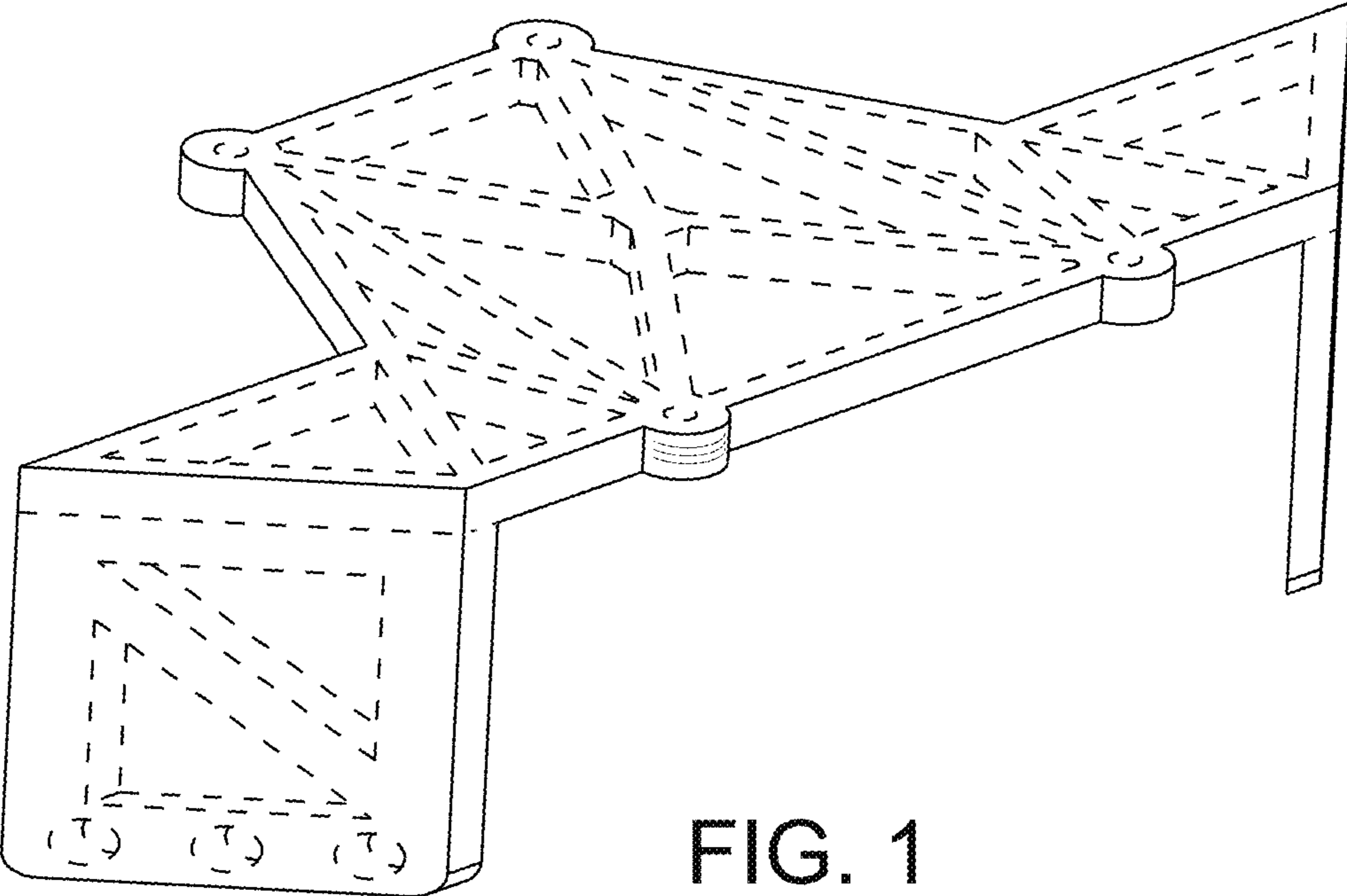


FIG. 1

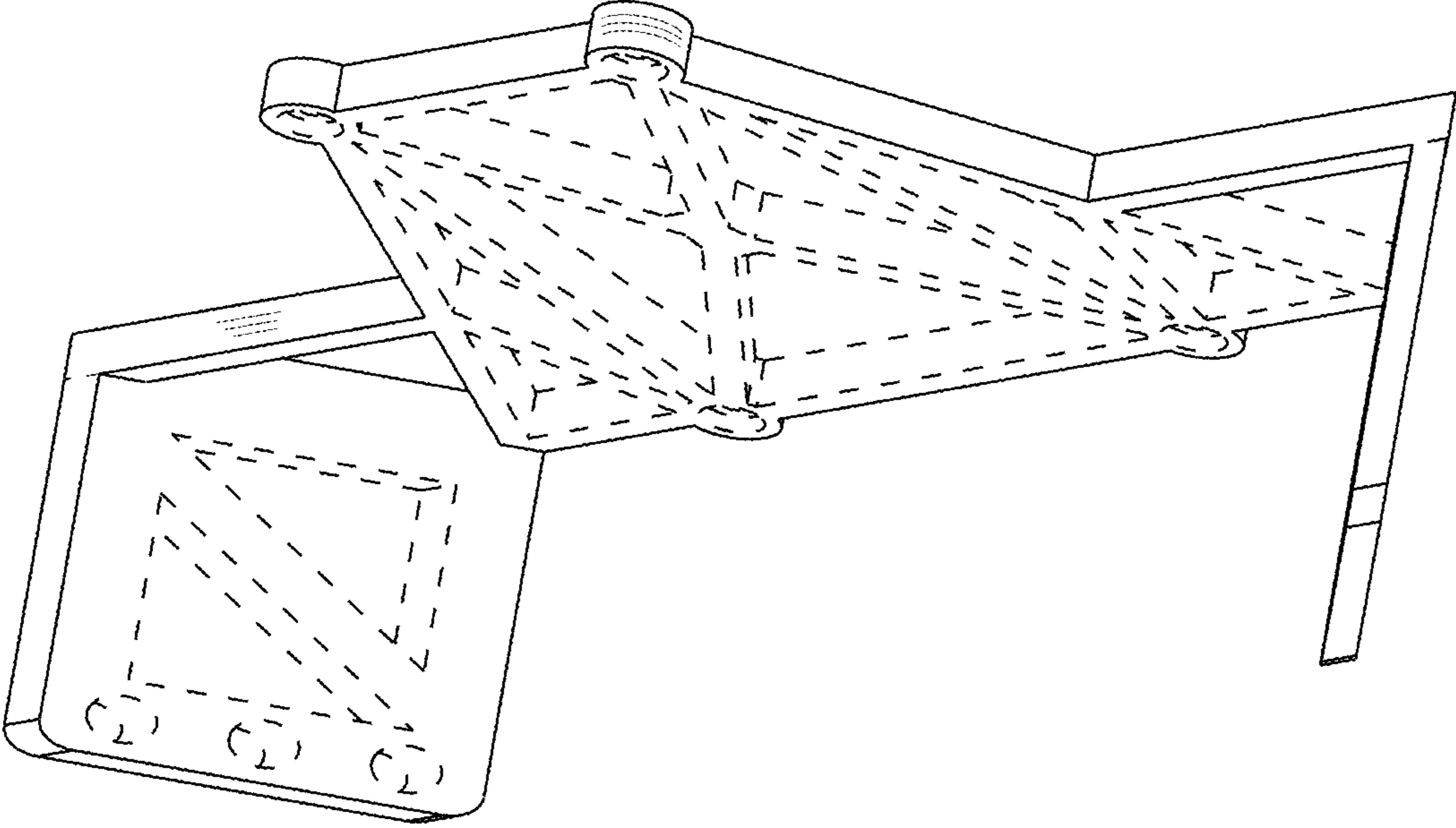


FIG. 2

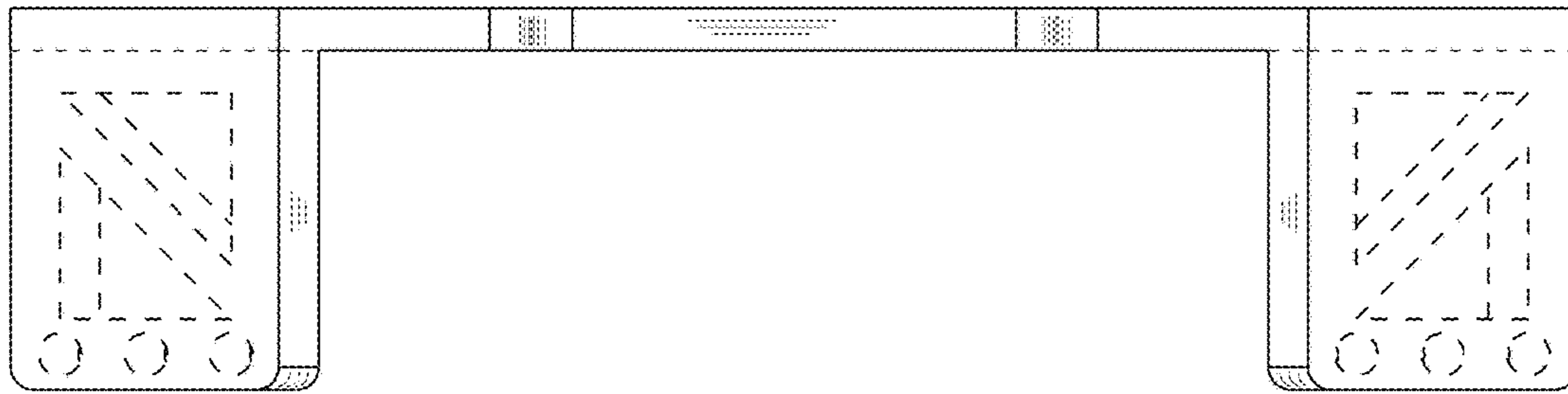


FIG. 3

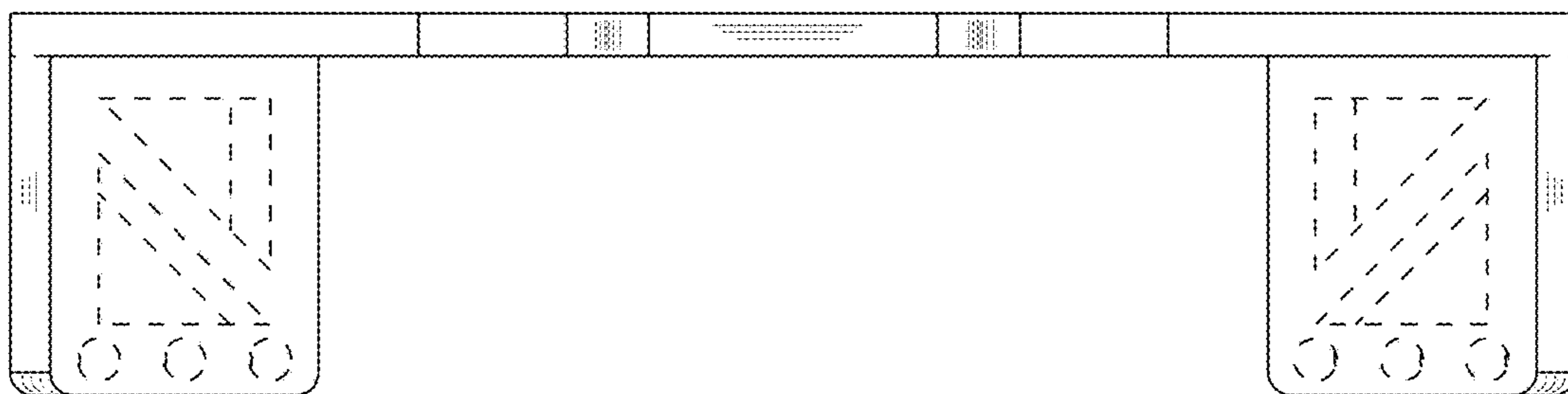


FIG. 4



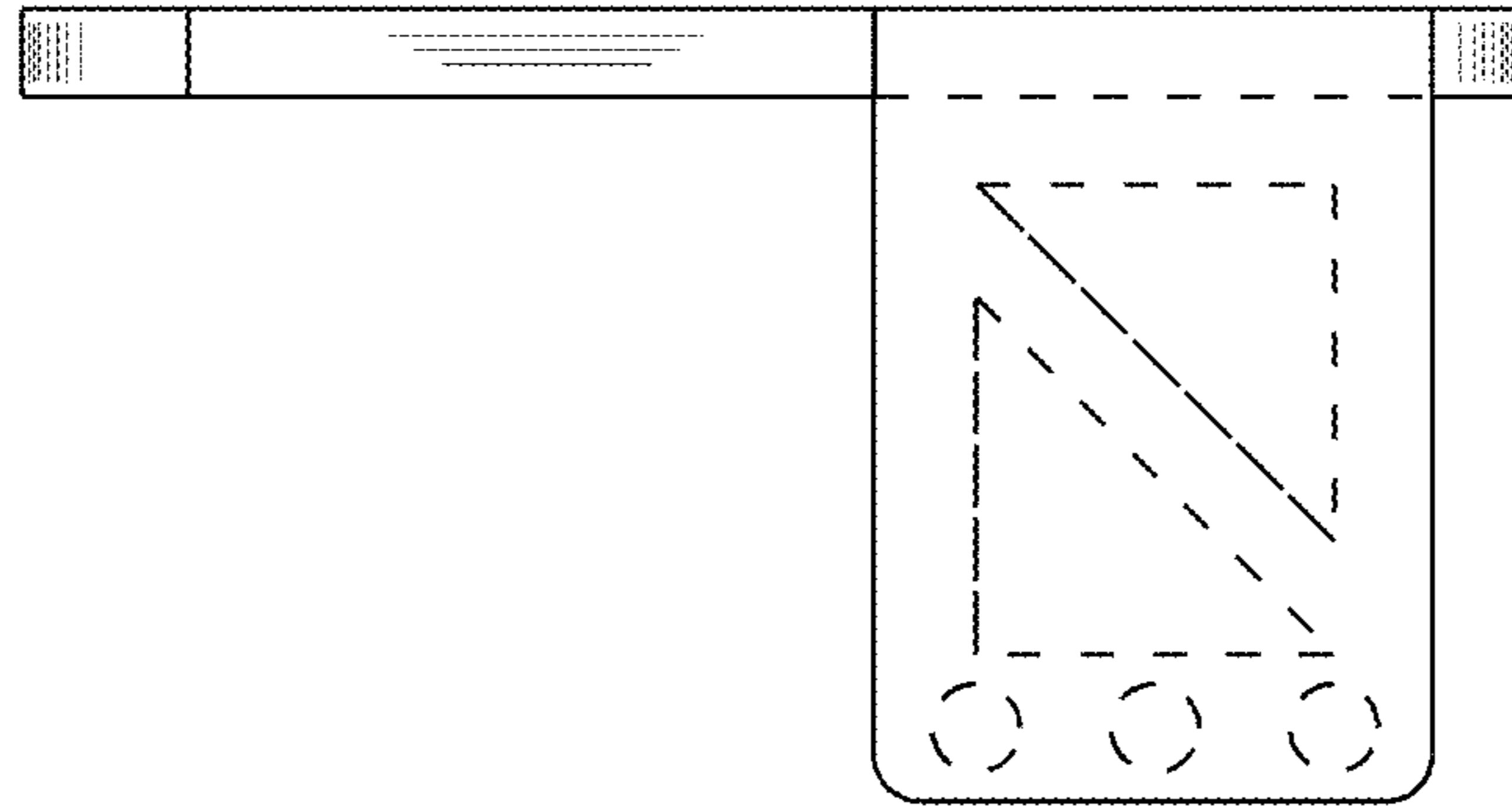


FIG. 5

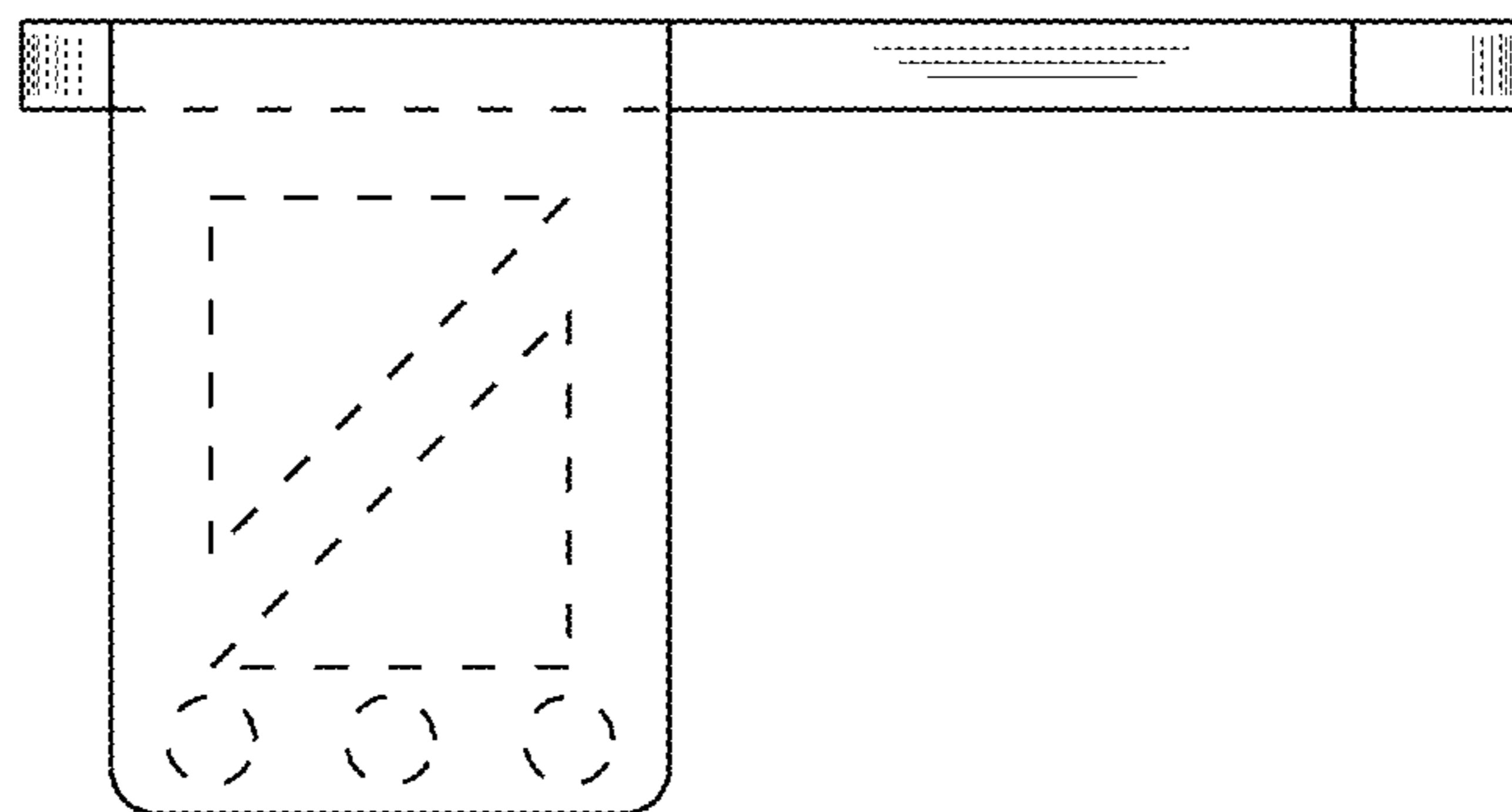


FIG. 6

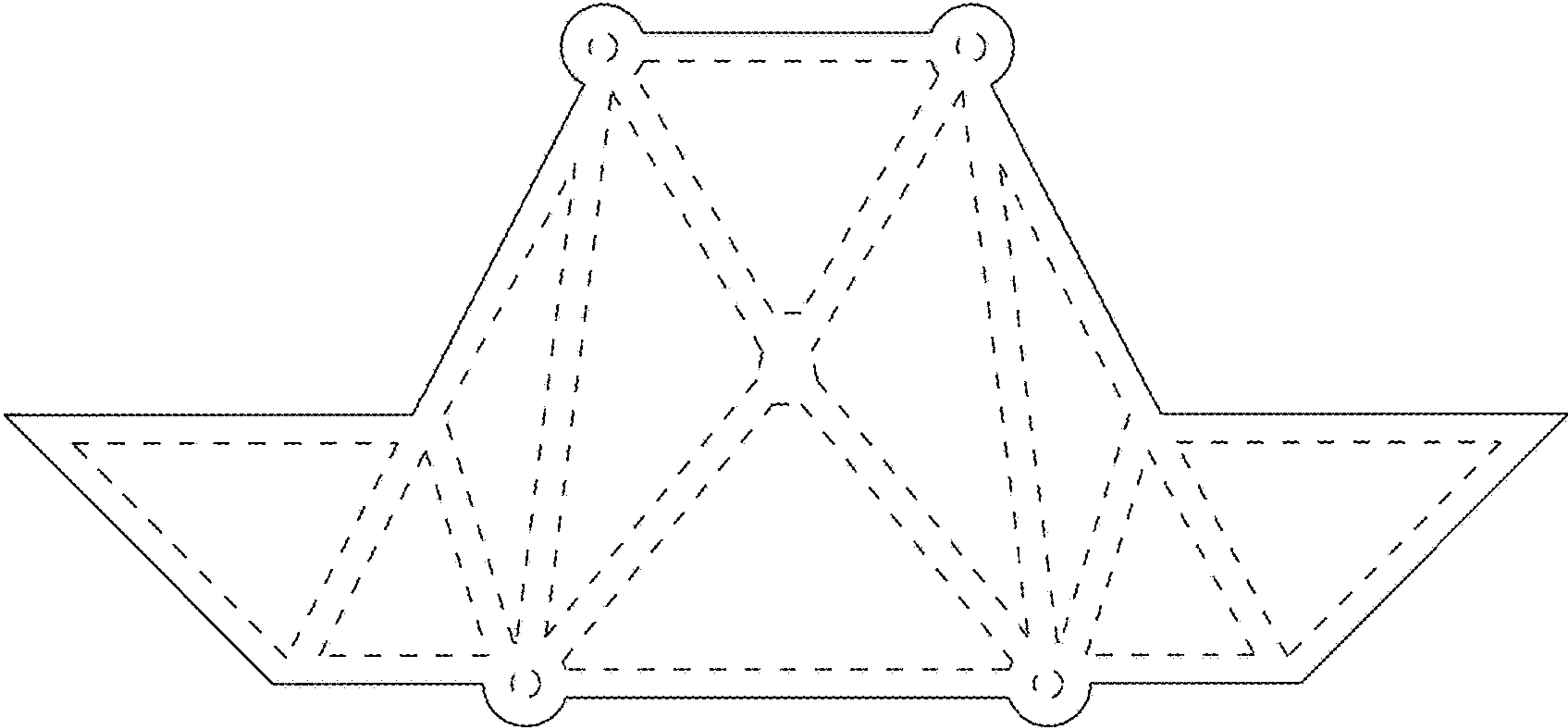


FIG. 7

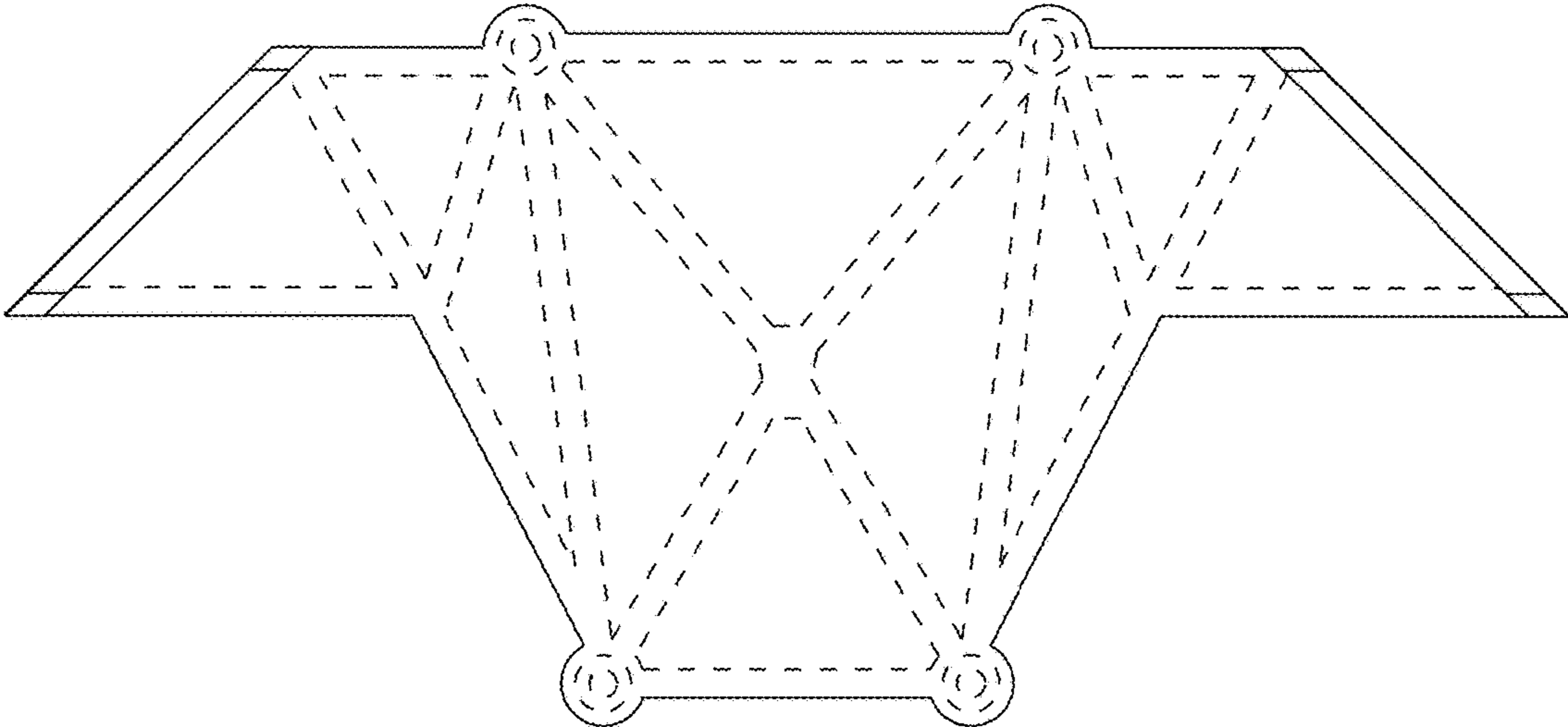


FIG. 8

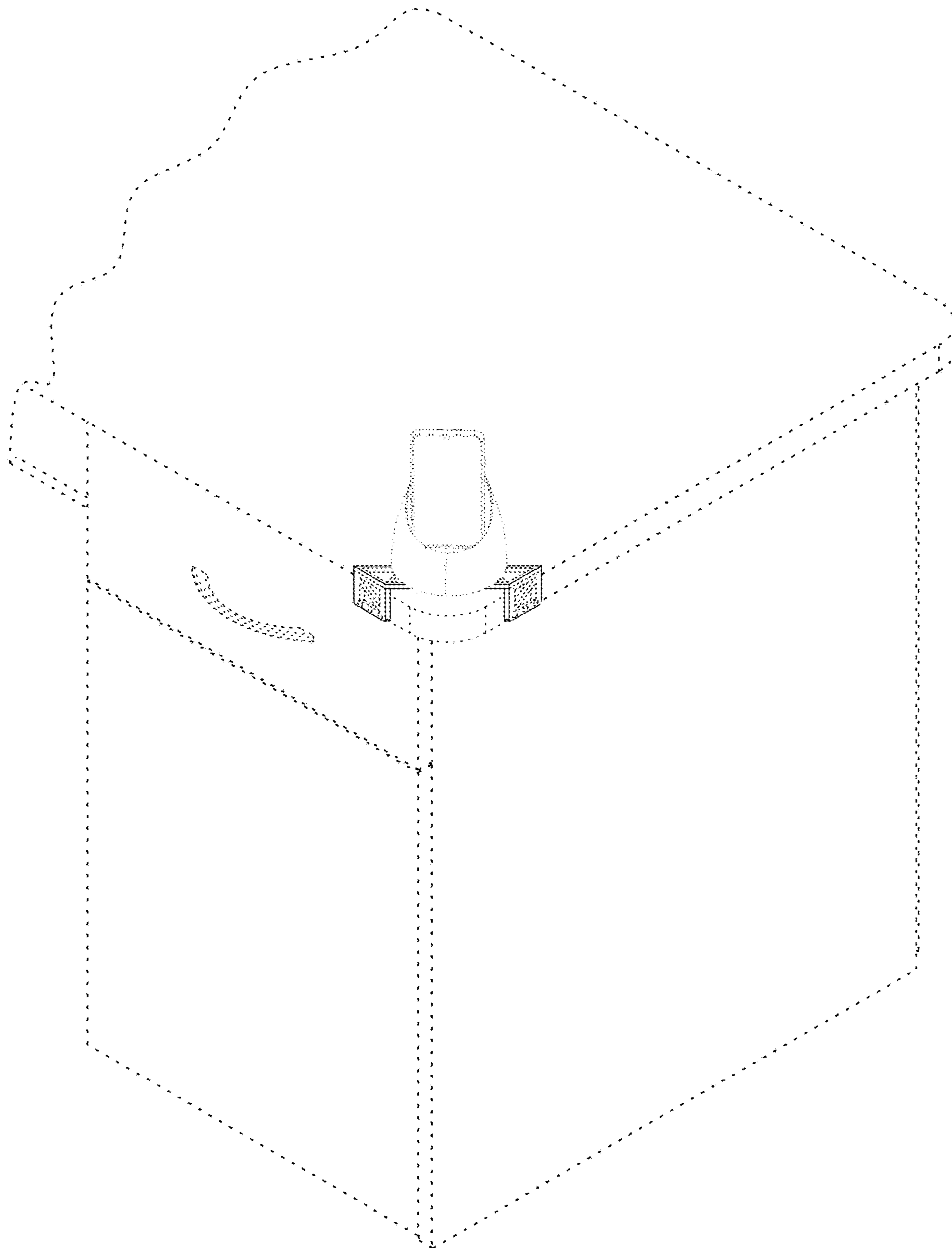


FIG. 9