



US00D811198S

(12) **United States Design Patent** (10) **Patent No.:** **US D811,198 S**
Kennaugh (45) **Date of Patent:** **** Feb. 27, 2018**

(54) **GATE LATCH SPRING** 5,782,507 A * 7/1998 Hardee E05C 1/004
 292/145
 (71) Applicant: **Scott Kennaugh**, Novato, CA (US) 6,655,090 B2 * 12/2003 Regner E06B 11/04
 49/386
 (72) Inventor: **Scott Kennaugh**, Novato, CA (US) D583,217 S * 12/2008 Voight D8/343
 7,942,688 B2 * 5/2011 Ferderer H01R 13/62955
 439/372
 (**) Term: **15 Years** D666,470 S * 9/2012 Biter D8/331
 D695,588 S * 12/2013 Cantwell D8/331
 8,636,308 B2 1/2014 Calamia, III
 D699,094 S * 2/2014 Lankford D8/330
 8,678,451 B2 * 3/2014 Martin E05C 3/14
 292/121
 (21) Appl. No.: **29/588,532**
 (22) Filed: **Dec. 21, 2016**
 (51) **LOC (11) Cl.** **08-07**
 (52) **U.S. Cl.**
 USPC **D8/343**
 (58) **Field of Classification Search**
 USPC D8/330, 331, 333, 339, 343, 344, 349,
 D8/383, 394, 400, 499; 70/14, 19, 57,
 70/141, 144, 431, 465, 466; 292/95, 96,
 292/103, 108, 219, 220, 216, 163,
 292/177-182, 229, 303, DIG. 29
 CPC . E06B 11/00; E06B 11/02; E05B 9/00; E05B
 15/04; E05B 2015/0403; E05B 2015/042;
 E05B 2015/0417; E05C 3/16; E05C 3/12
 See application file for complete search history.

* cited by examiner

Primary Examiner — Prabhakar G Deshmukh
 (74) *Attorney, Agent, or Firm* — Vierra Magen Marcus
 LLP

(57) **CLAIM**

The ornamental design for a gate latch spring, as shown and described.

DESCRIPTION

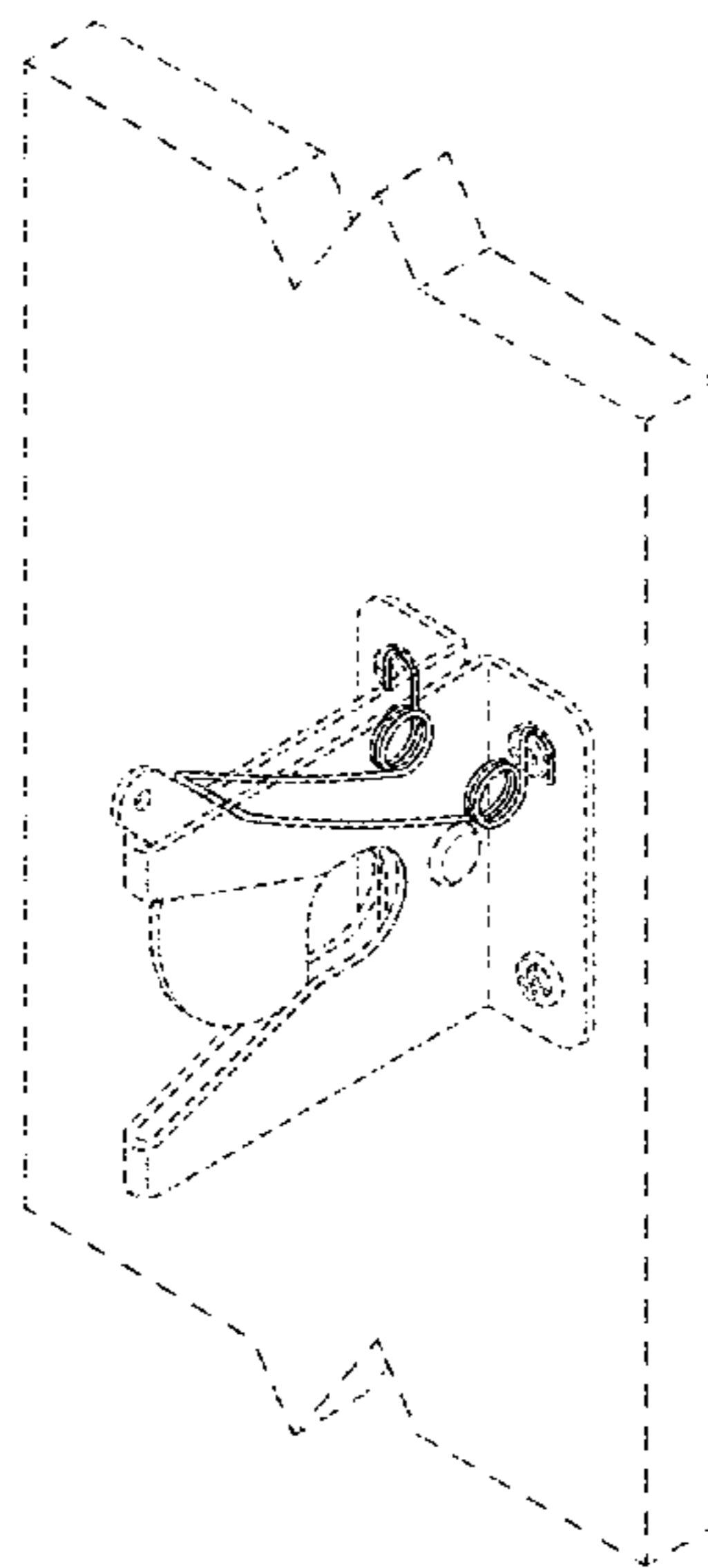
FIG. 1 is a front perspective view of a gate latch spring showing my new design;
 FIG. 2 is a front perspective view thereof, shown in an alternate position;
 FIG. 3 is a top plan view thereof;
 FIG. 4 is a bottom plan view thereof;
 FIG. 5 is a side elevational view thereof;
 FIG. 6 is a front elevational view thereof; and,
 FIG. 7 is a rear elevational view thereof.
 FIGS. 3-7 are drawn in an enlarged scale for clarity. The broken lines in FIGS. 1 and 2 illustrate environment and forms no part of the claimed design.

1 Claim, 5 Drawing Sheets

(56) **References Cited**

U.S. PATENT DOCUMENTS

4,451,072 A * 5/1984 Petty, Sr. E05C 3/14
 292/104
 4,831,777 A * 5/1989 Johnson, Jr. E06B 9/02
 160/228
 4,887,754 A * 12/1989 Boyer B60R 9/02
 211/17
 4,986,031 A * 1/1991 Agnew E05F 1/1075
 49/340
 5,020,843 A 6/1991 Lucas
 5,358,292 A 10/1994 Van Wiebe et al.
 5,398,450 A * 3/1995 Cacicedo E01F 13/06
 49/385
 5,498,041 A 3/1996 Bezzerides et al.
 5,655,801 A 8/1997 Casey



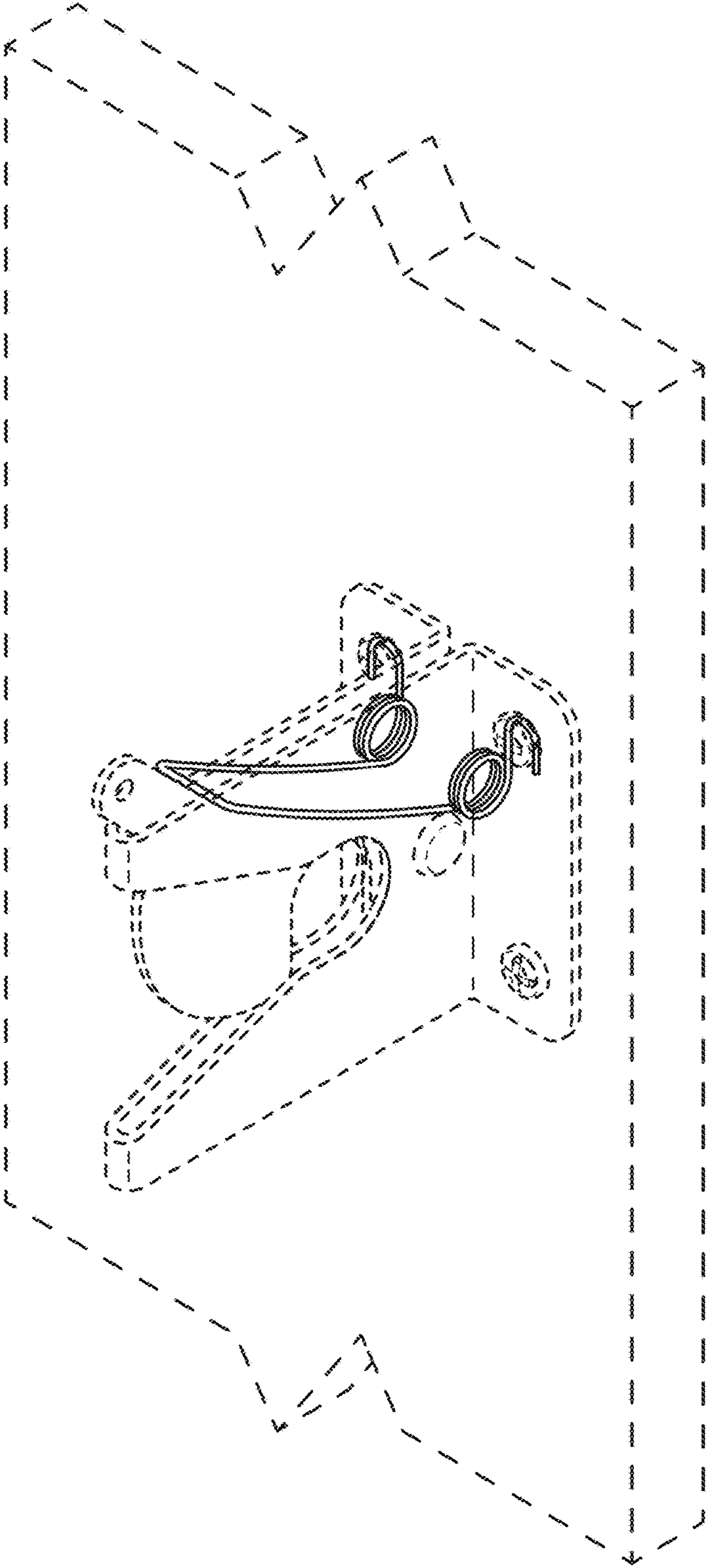


Fig. 1

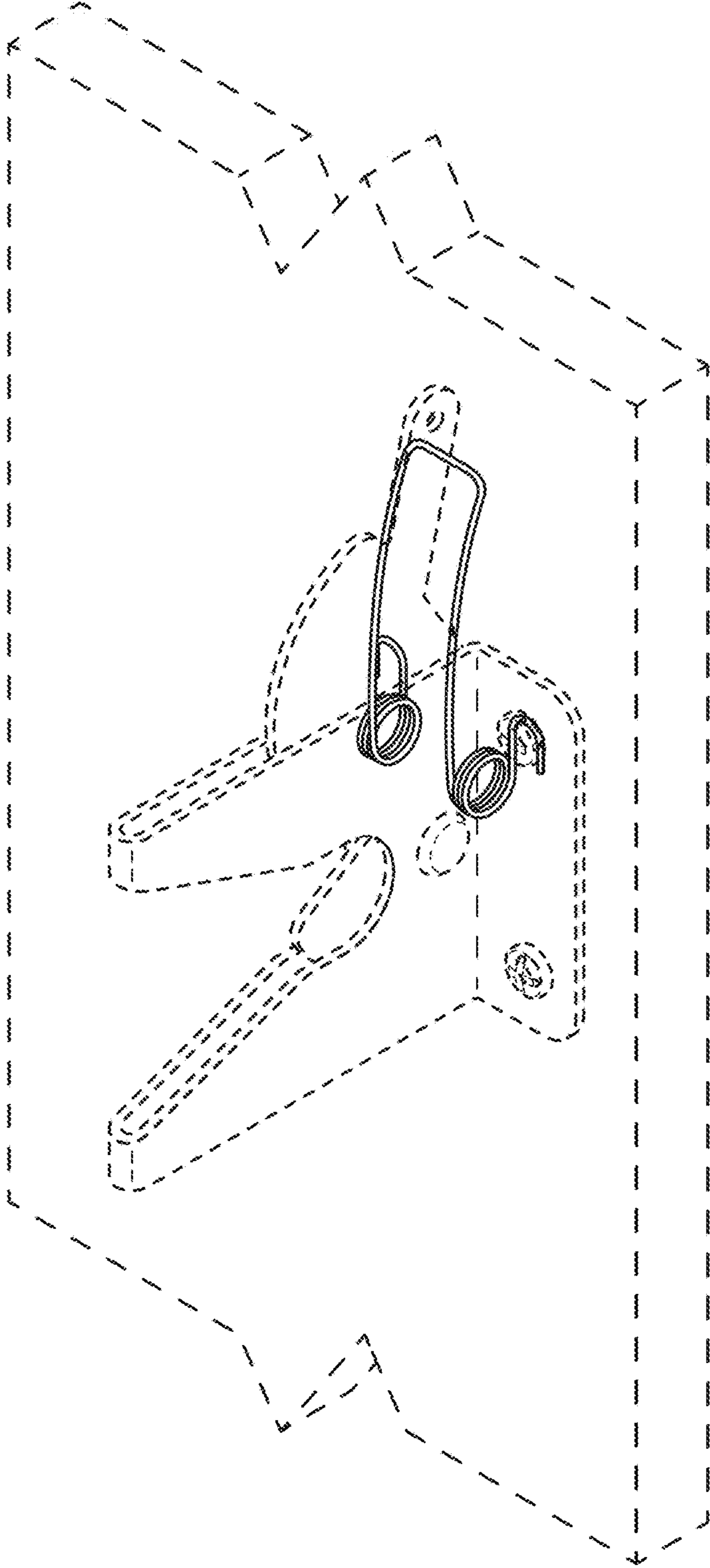


Fig. 2

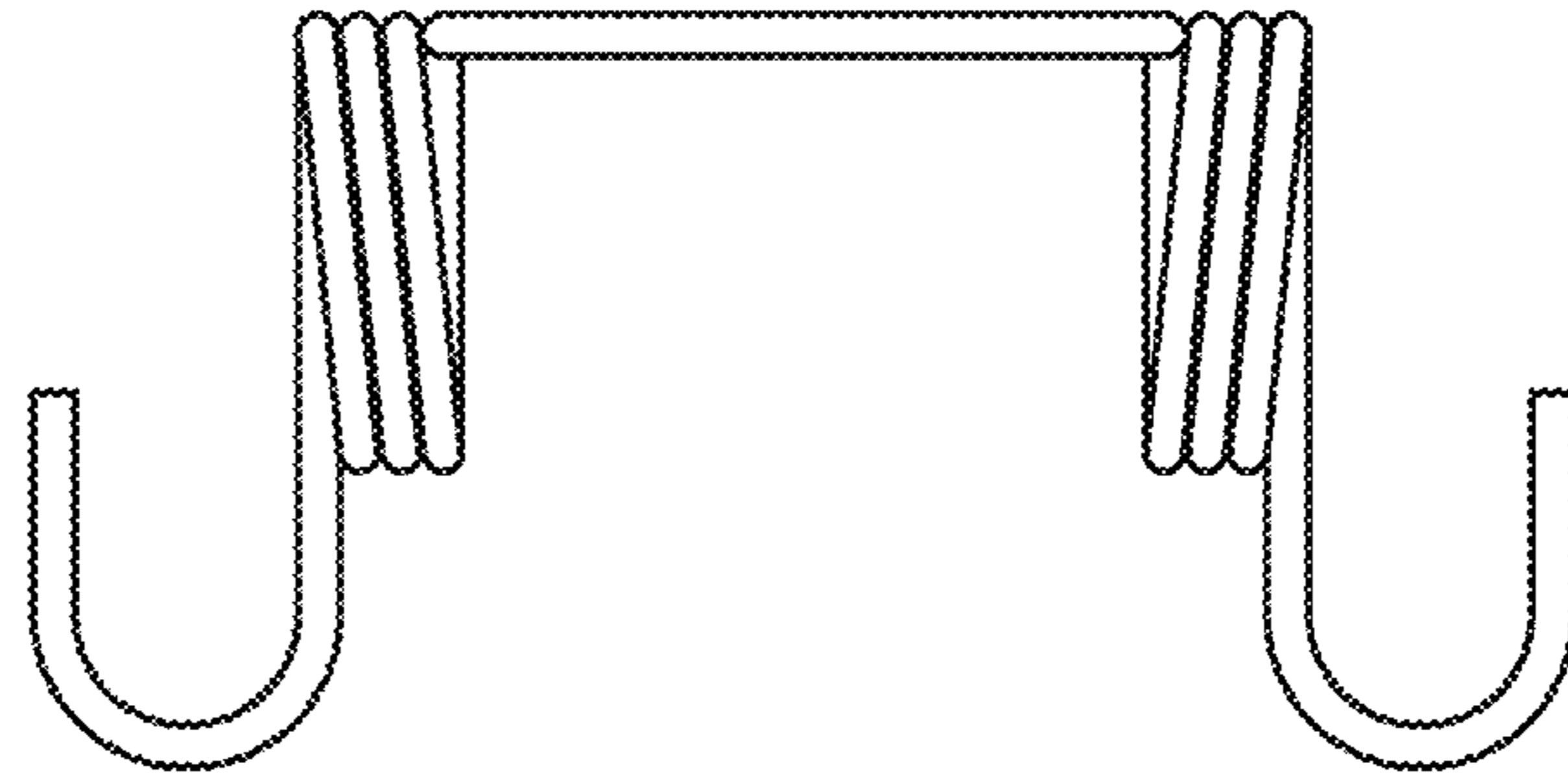


Fig. 3

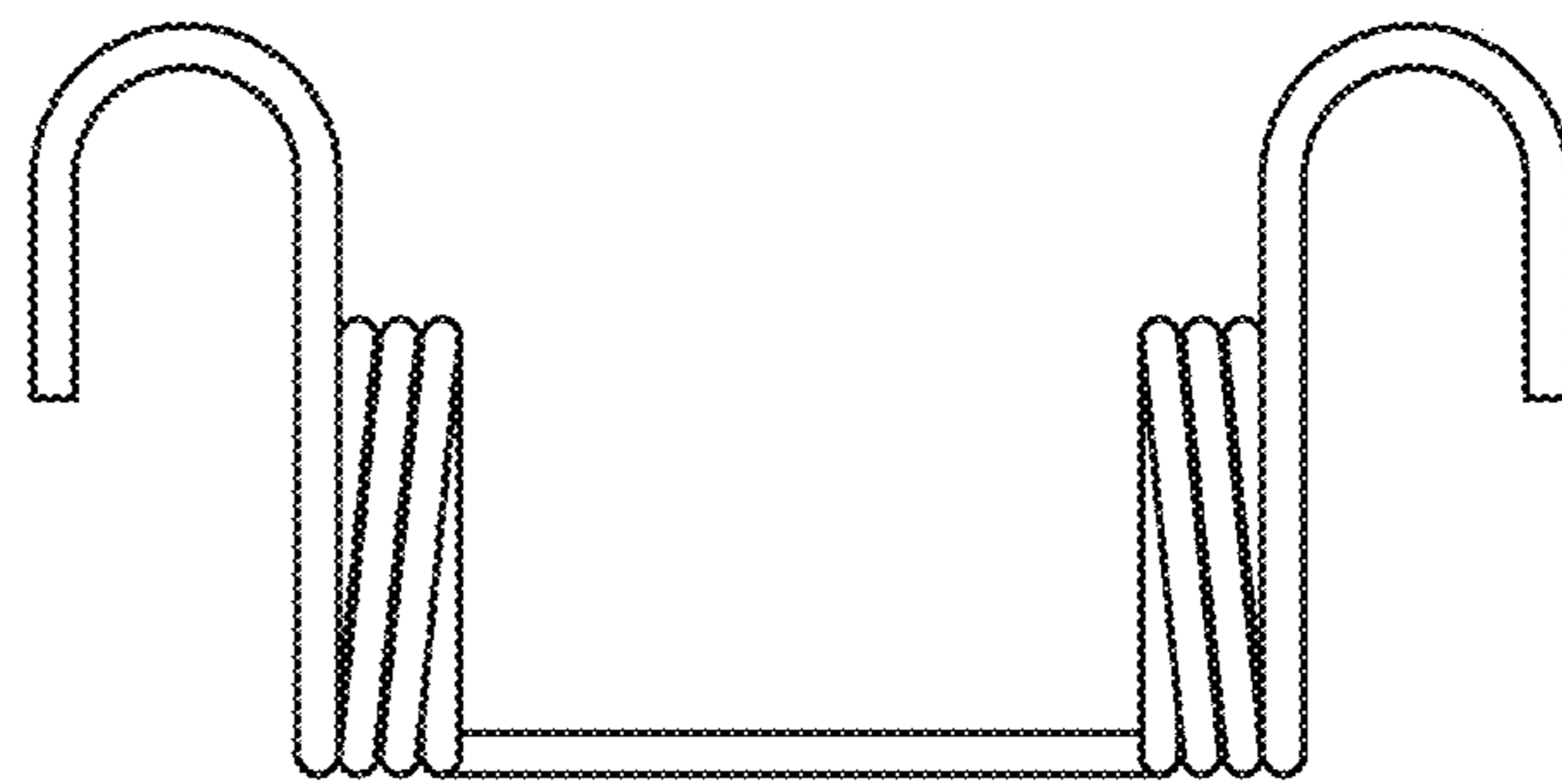


Fig. 4

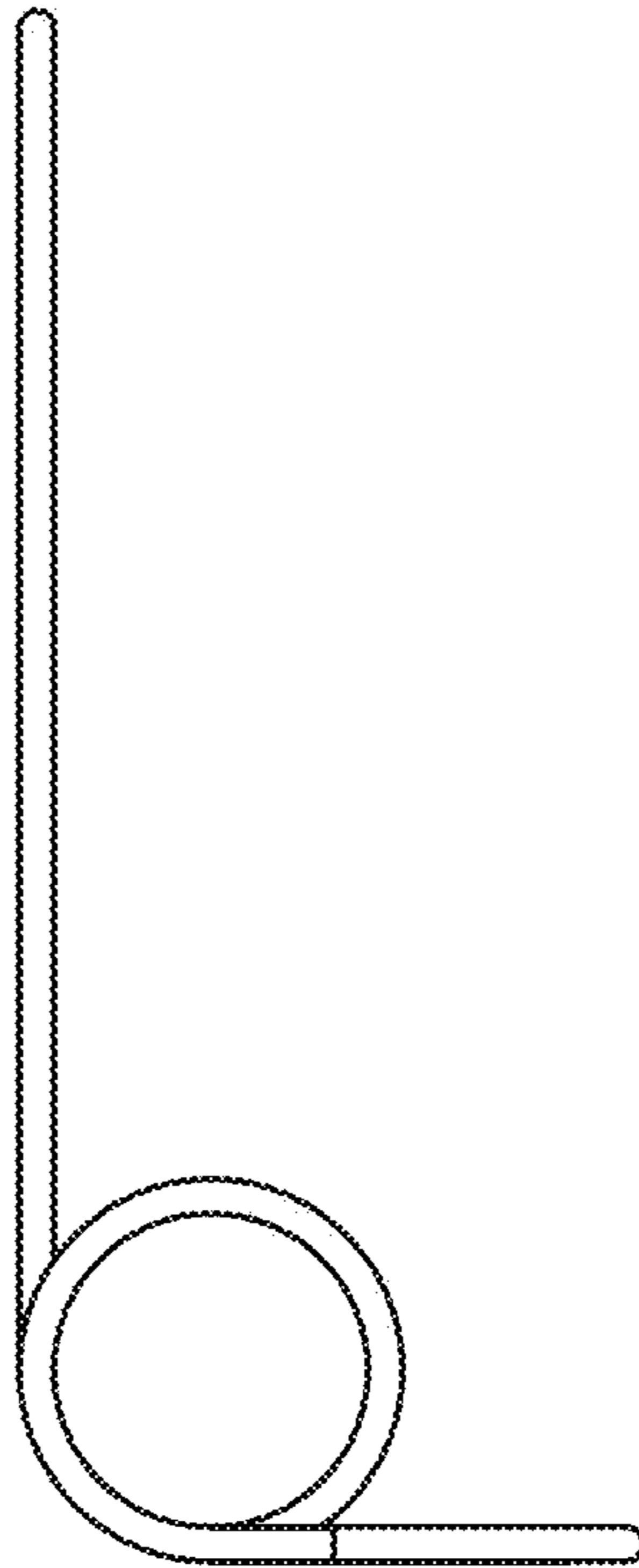


Fig. 5

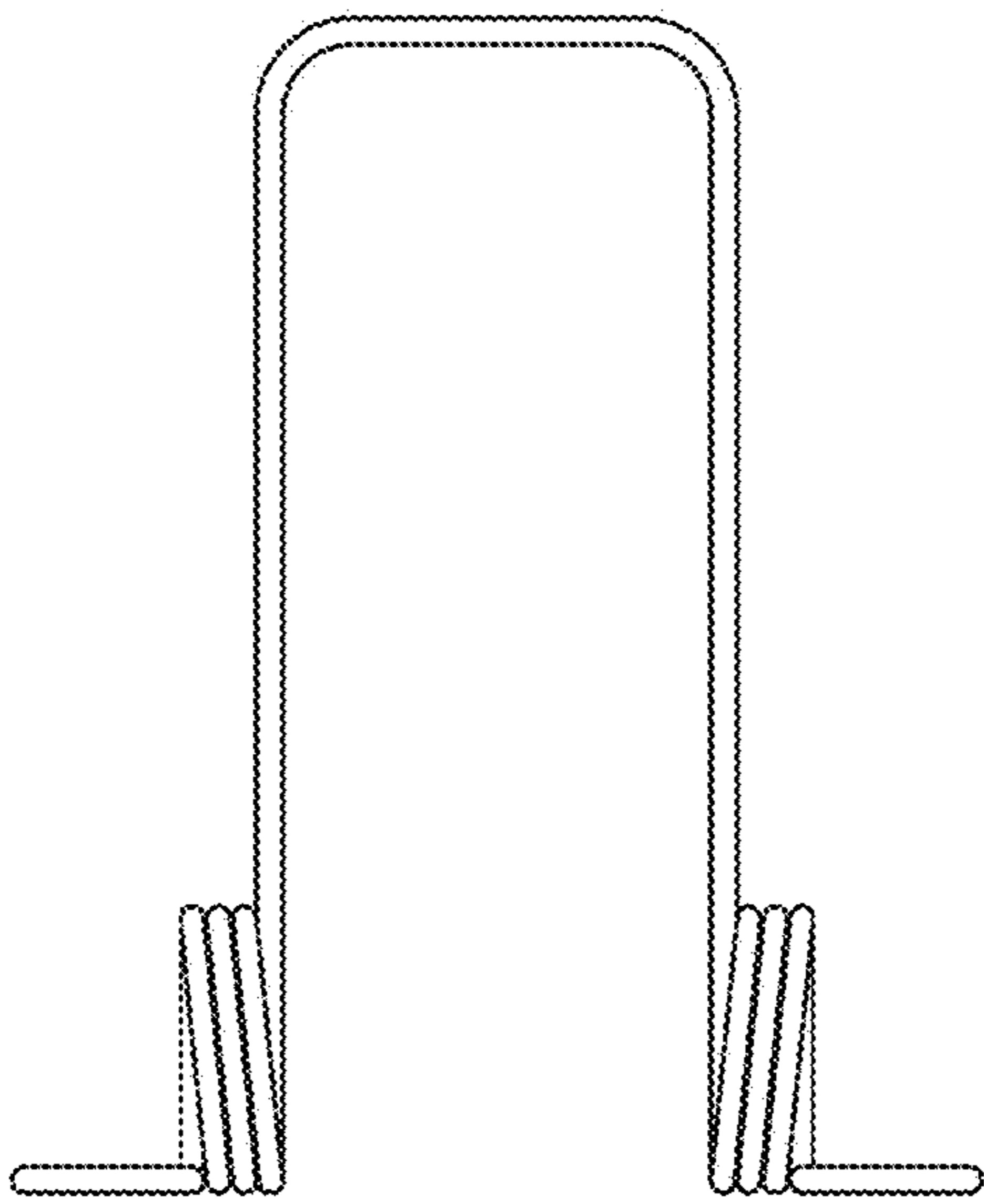


Fig. 6

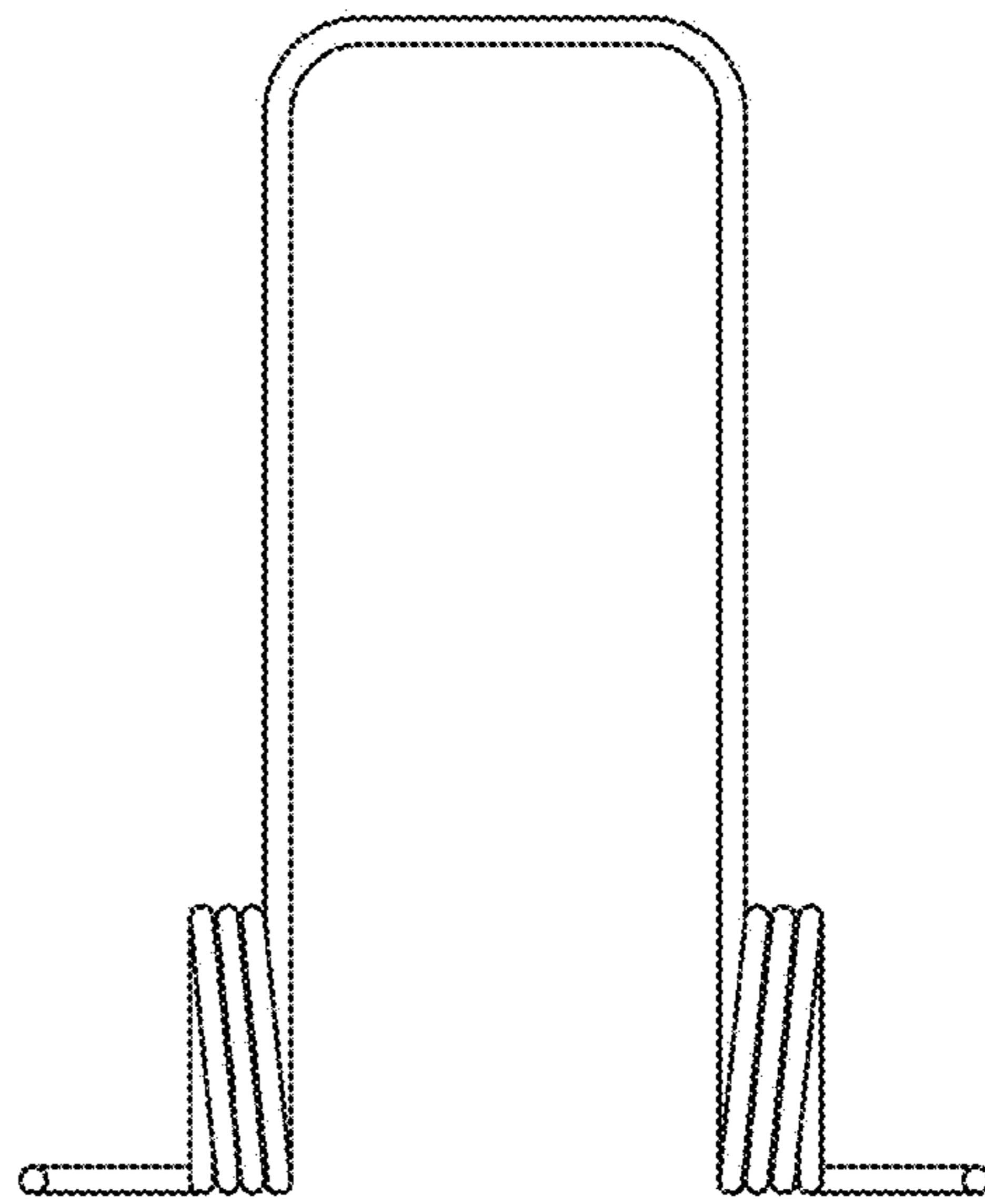


Fig. 7