



US00D811197S

(12) **United States Design Patent**  
**Llewellyn**

(10) **Patent No.:** **US D811,197 S**

(45) **Date of Patent:** **\*\* Feb. 27, 2018**

- (54) **TRANSPORT-CONTAINER LOCK**
- (71) Applicant: **Bluewater Resources LLC**, Cotulla, TX (US)
- (72) Inventor: **Jake Llewellyn**, Cotulla, TX (US)
- (73) Assignee: **Bluewater Resources LLC**, Cotulla, TX (US)
- (\*\*) Term: **15 Years**
- (21) Appl. No.: **29/594,142**
- (22) Filed: **Feb. 15, 2017**
- (51) **LOC (11) Cl.** ..... **08-07**
- (52) **U.S. Cl.**  
USPC ..... **D8/330; D8/343**
- (58) **Field of Classification Search**  
USPC ..... D8/330, 331, 333, 336, 339, 343–346, D8/400; 70/14, 57, 57.1, 64, 67, 69, 70, 70/77, 333 R, 466; 292/205, 148, 230, 292/231, 238, 260–264, 909, 912, 916  
CPC ..... E05C 3/12; E05C 3/16; E05C 3/00; B65F 1/1615; B65F 1/14  
See application file for complete search history.

- 6,137,117 A \* 10/2000 Feldstein ..... G01N 21/6428 250/461.2
- 7,172,382 B2 \* 2/2007 Frankel ..... B65D 88/54 414/288
- 9,238,430 B2 \* 1/2016 Metternich ..... B60P 7/132
- 9,309,701 B2 \* 4/2016 Jeffries ..... B25H 3/02
- D756,744 S \* 5/2016 Weisshaupt ..... D8/331
- D789,770 S \* 6/2017 Reeb ..... D8/330
- 9,821,965 B2 \* 11/2017 Wolfe ..... B65G 51/44

\* cited by examiner

*Primary Examiner* — Prabhakar G Deshmukh

(74) *Attorney, Agent, or Firm* — D. Tiller Law PLLC; Donald Tiller

(57) **CLAIM**

The ornamental design for a transport-container lock, as shown and described.

**DESCRIPTION**

FIG. 1 is a front, right, top perspective view of a transport-container lock.

FIG. 2 is a front view of the transport-container lock.

FIG. 3 is a rear view of the transport-container lock.

FIG. 4 is a right-side view of the transport-container lock.

FIG. 5 is a left-side view of the transport-container lock.

FIG. 6 is a top view of the transport-container lock.

FIG. 7 is a bottom view of the transport-container lock; and,

FIG. 8 is a rear perspective view of the transport-container lock.

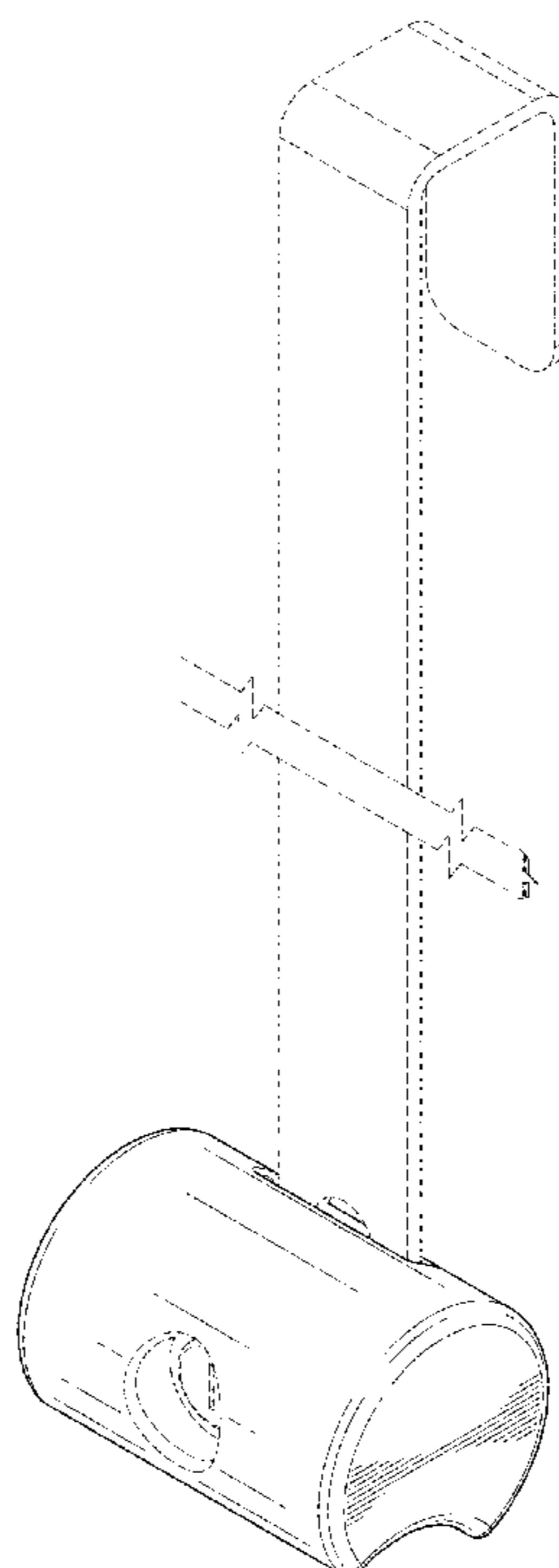
The broken lines indicate unclaimed portions of the design. The broken lines in FIG. 1 illustrate environment. The broken lines form no part of the claimed design.

(56) **References Cited**

**U.S. PATENT DOCUMENTS**

- 3,966,075 A \* 6/1976 Schultz ..... B65D 88/005 105/393
- 4,184,708 A \* 1/1980 Allen ..... B65D 90/146 294/67.1
- 4,975,240 A \* 12/1990 Lahr ..... G21F 7/005 376/260

**1 Claim, 8 Drawing Sheets**



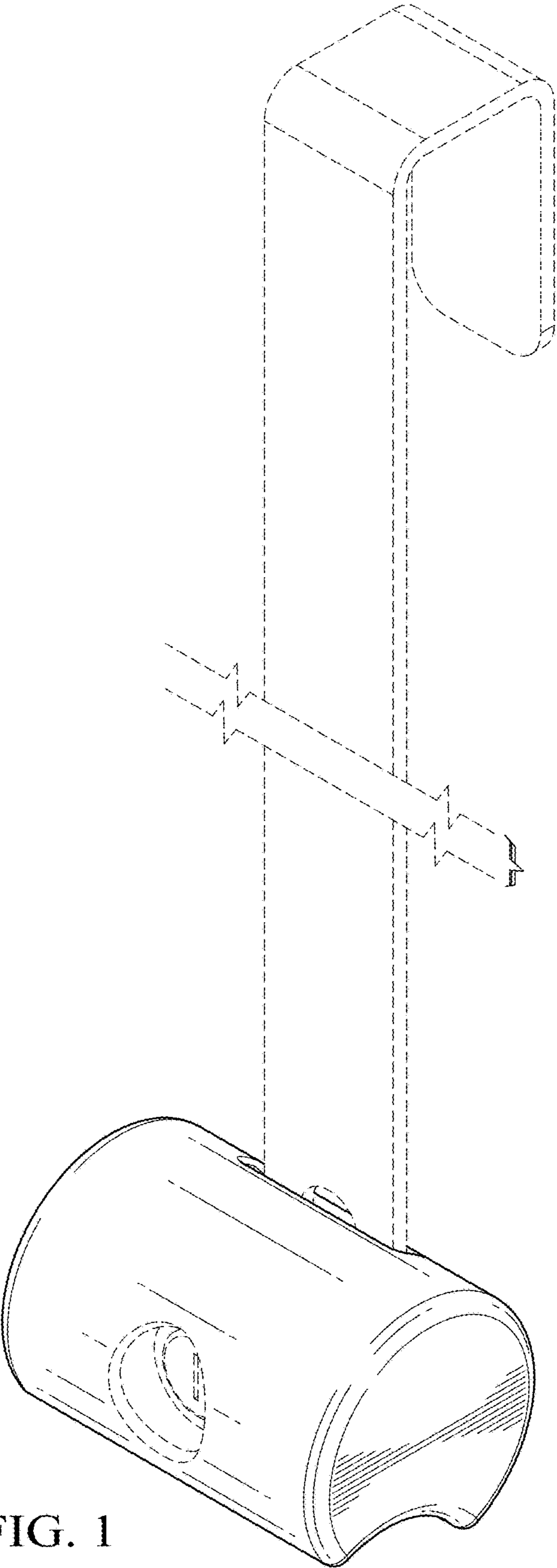


FIG. 1

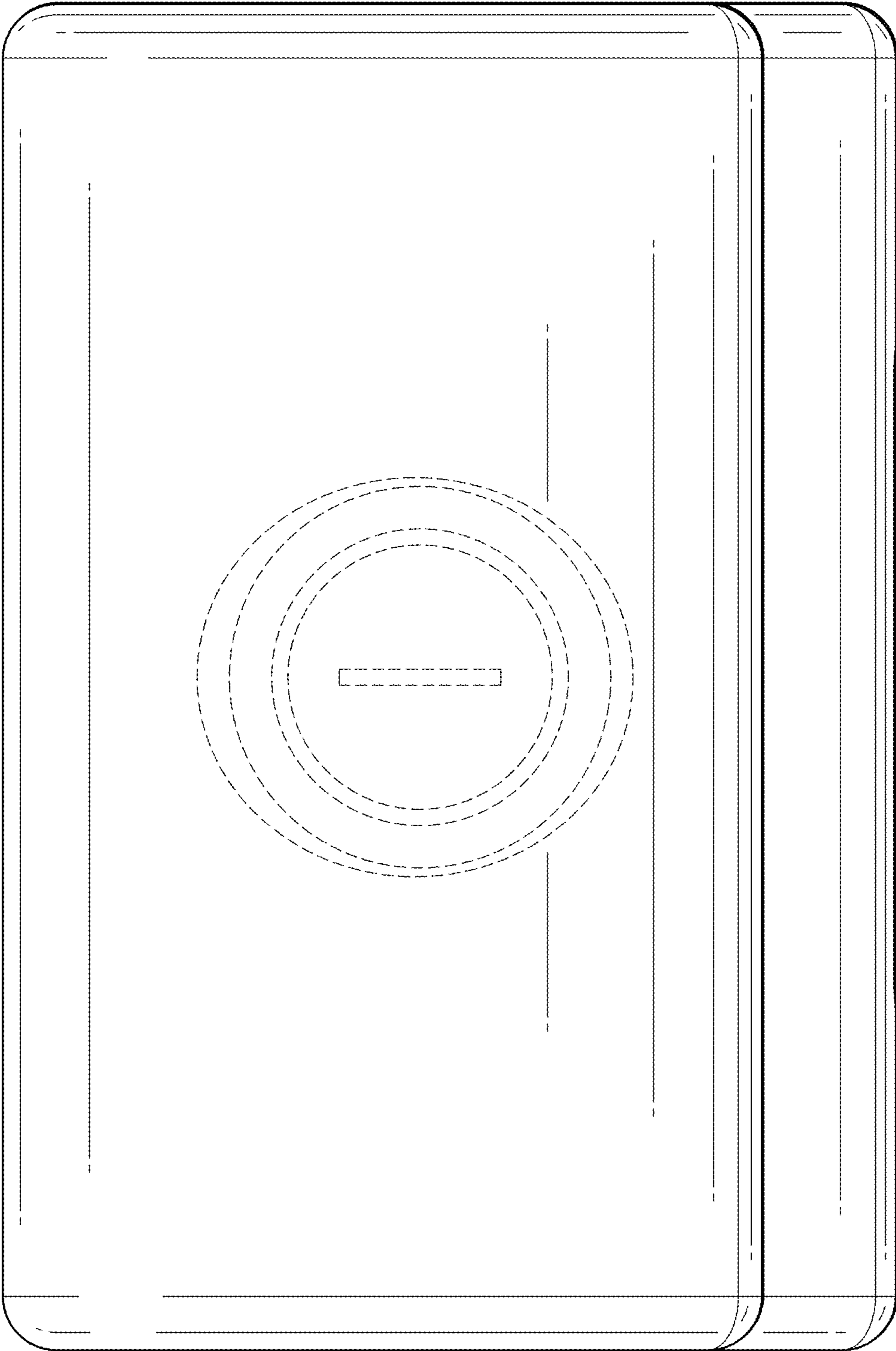


FIG. 2

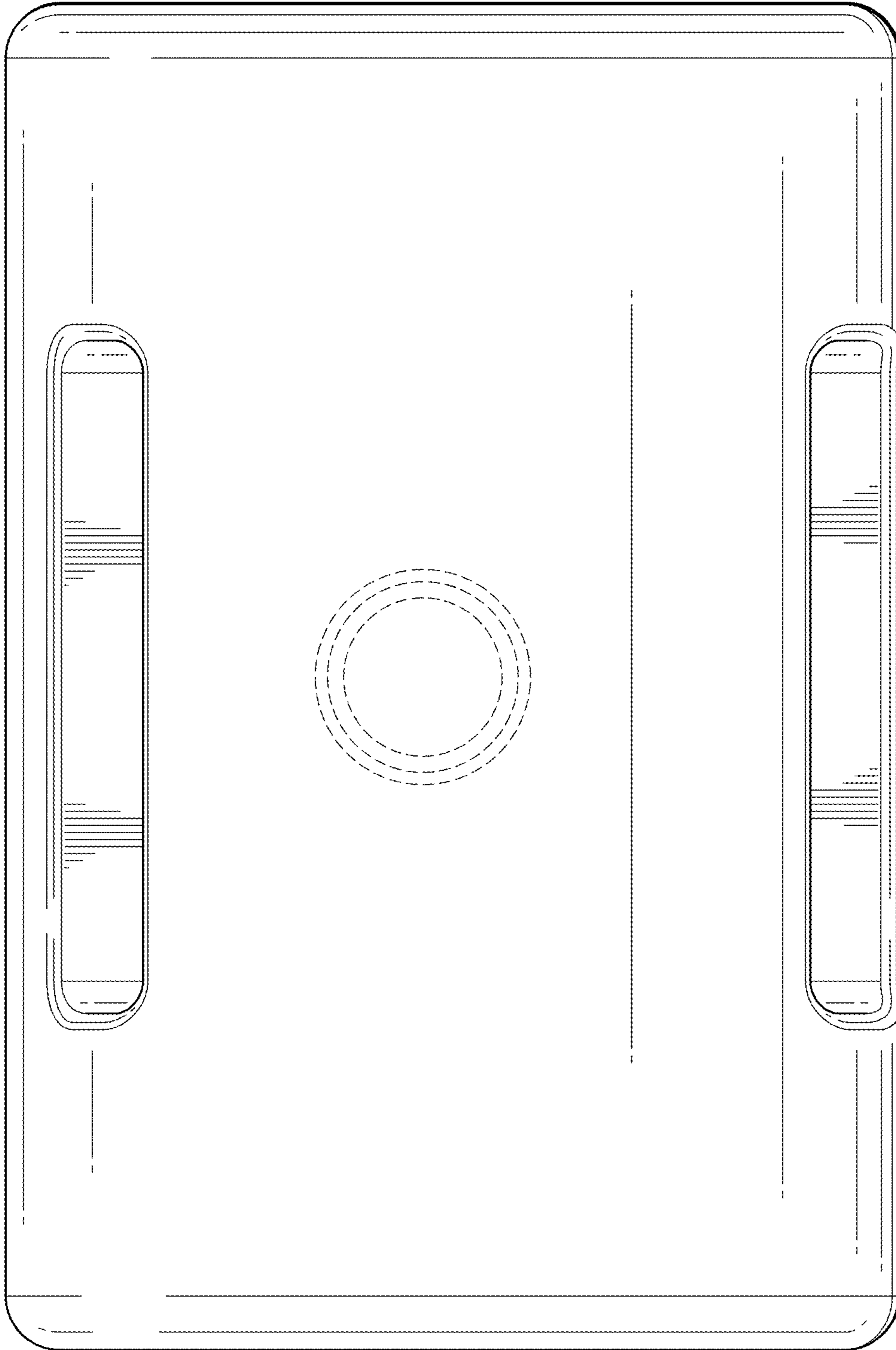


FIG. 3

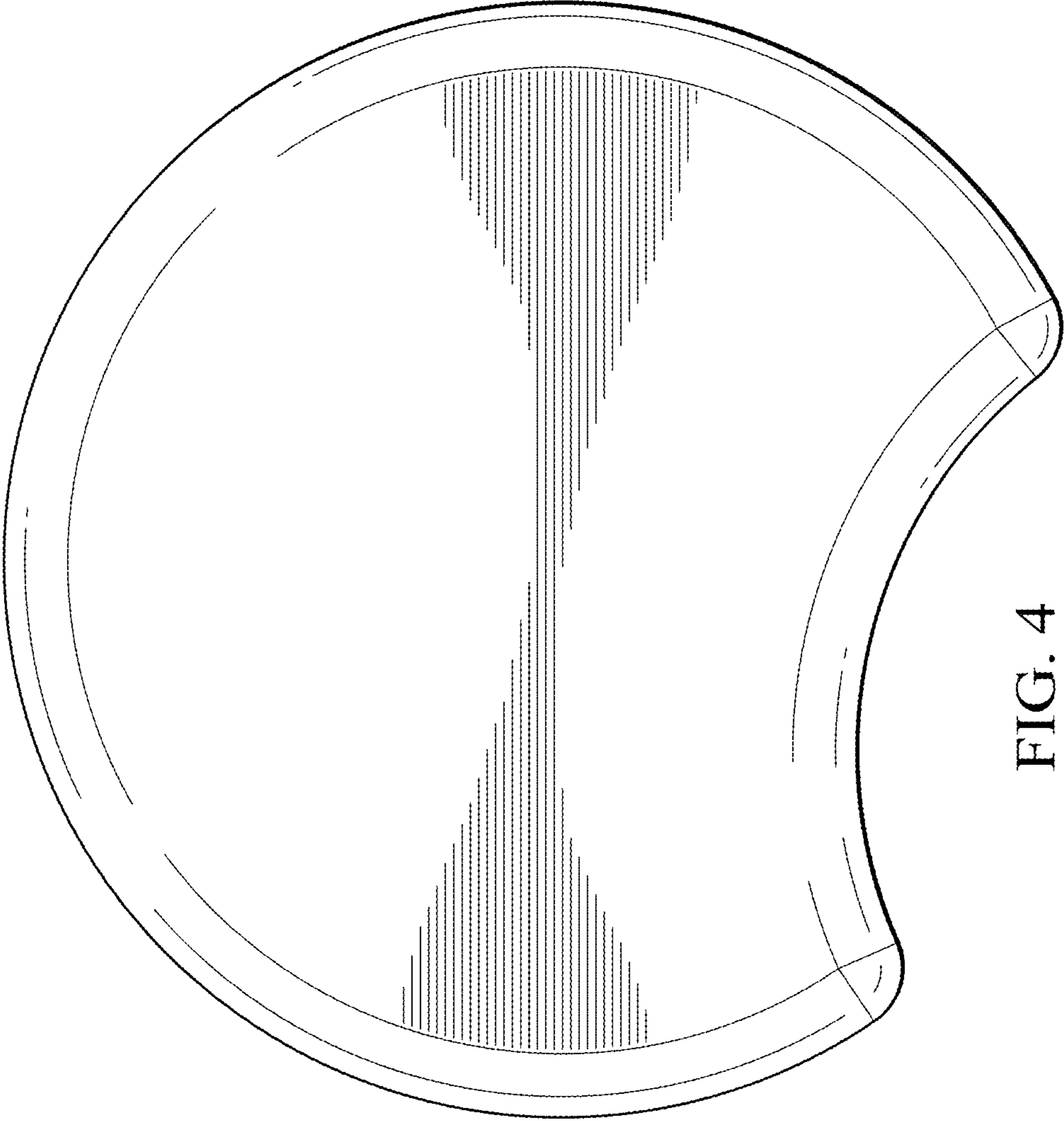


FIG. 4

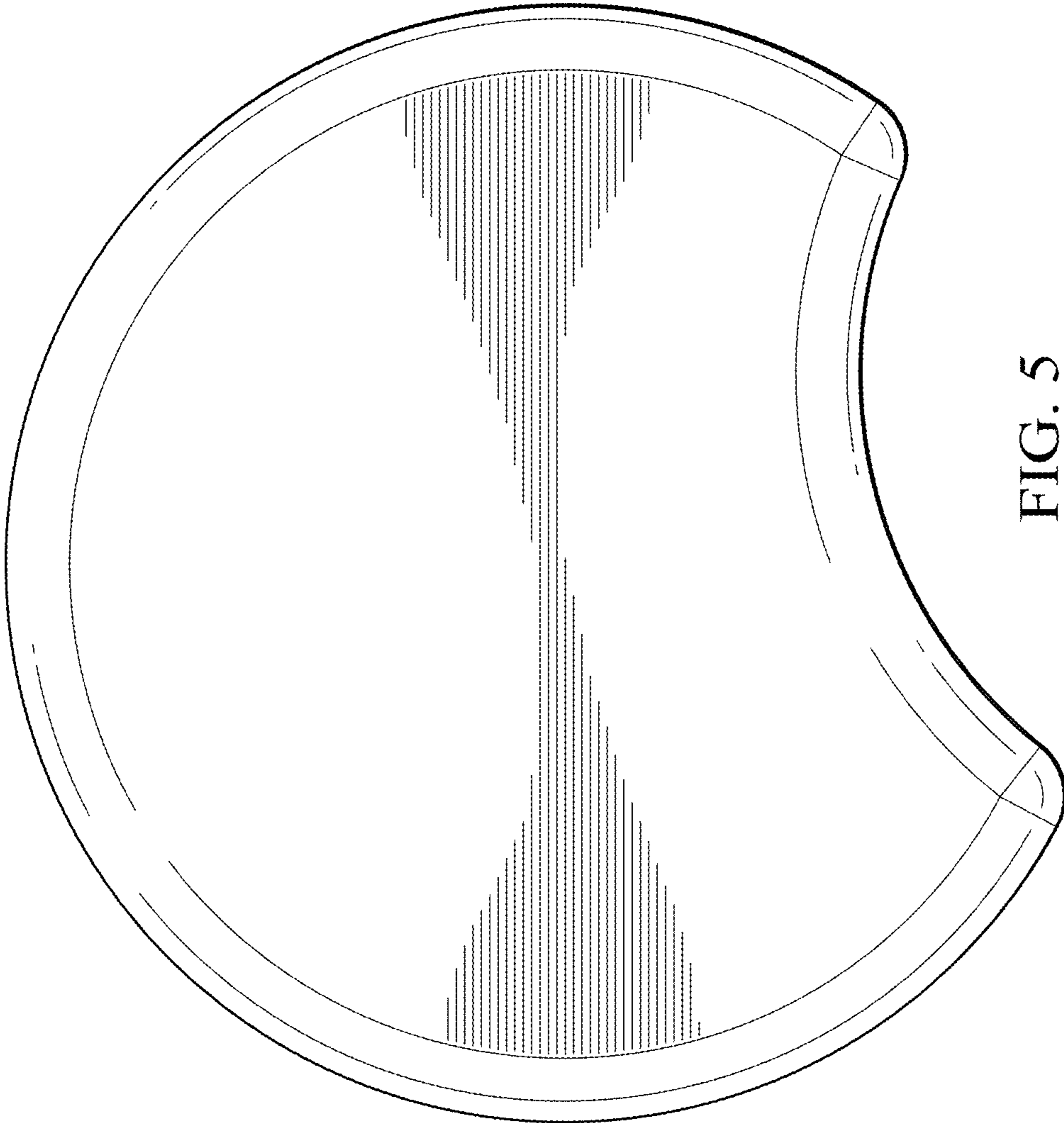


FIG. 5



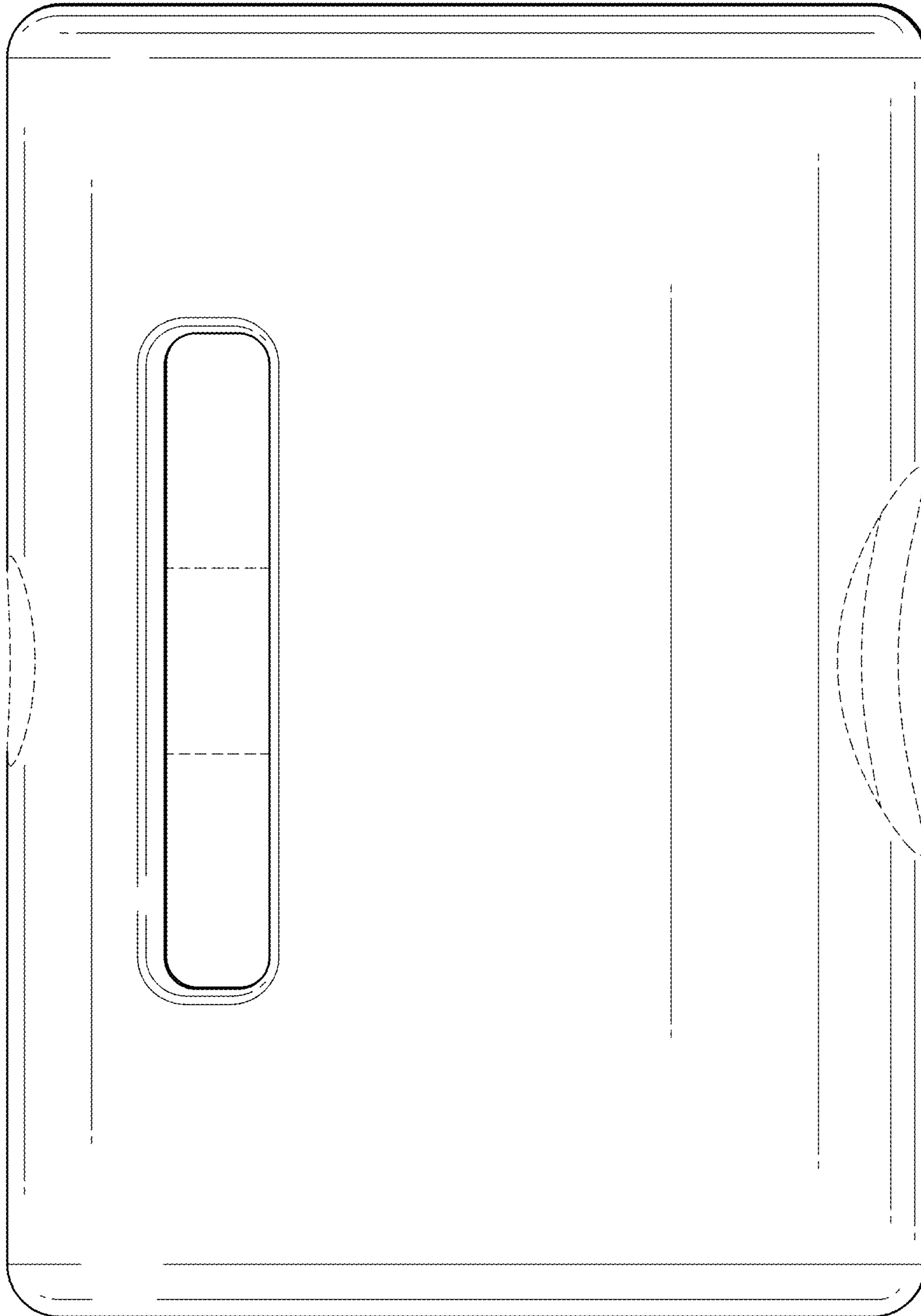


FIG. 6

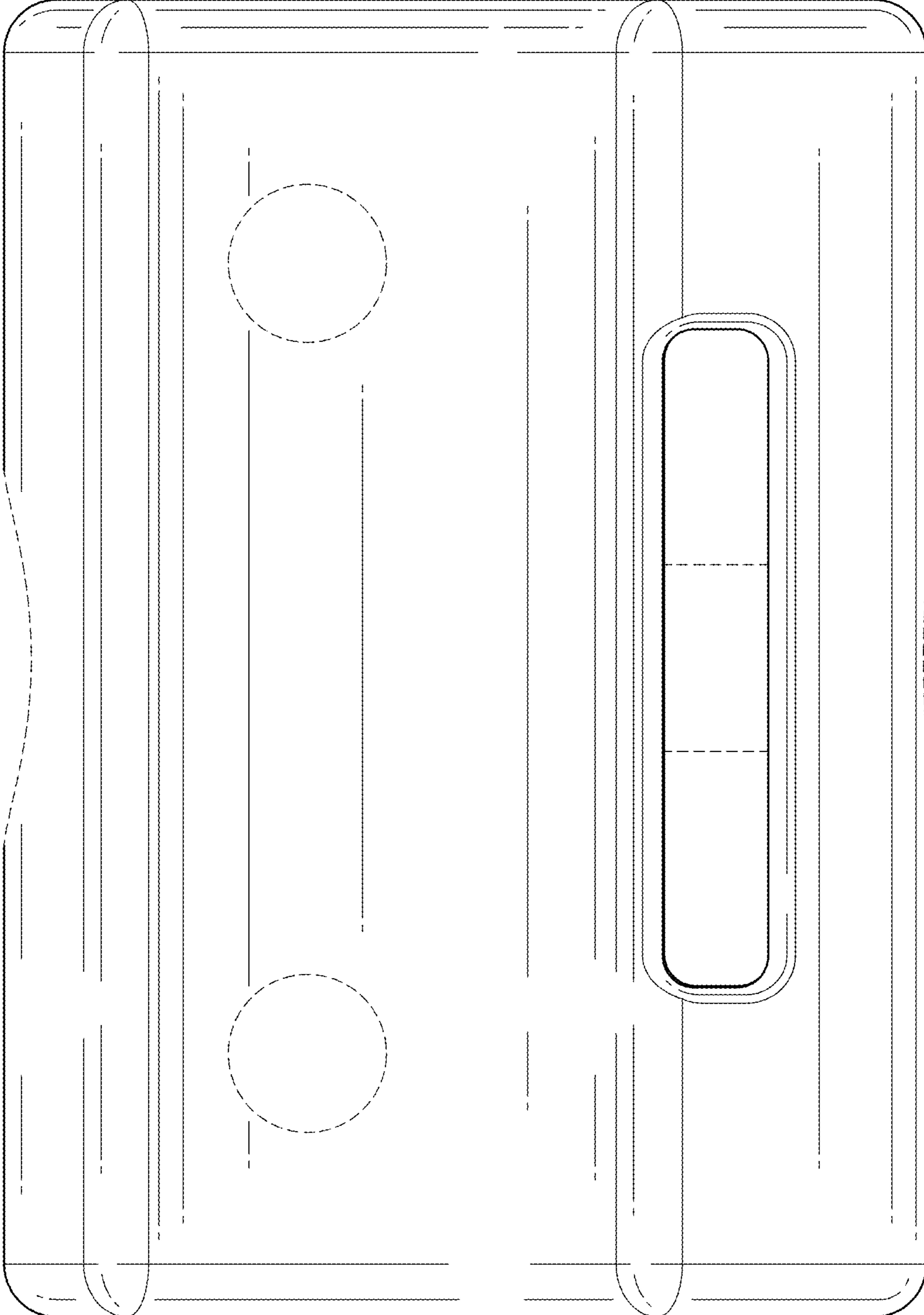


FIG. 7



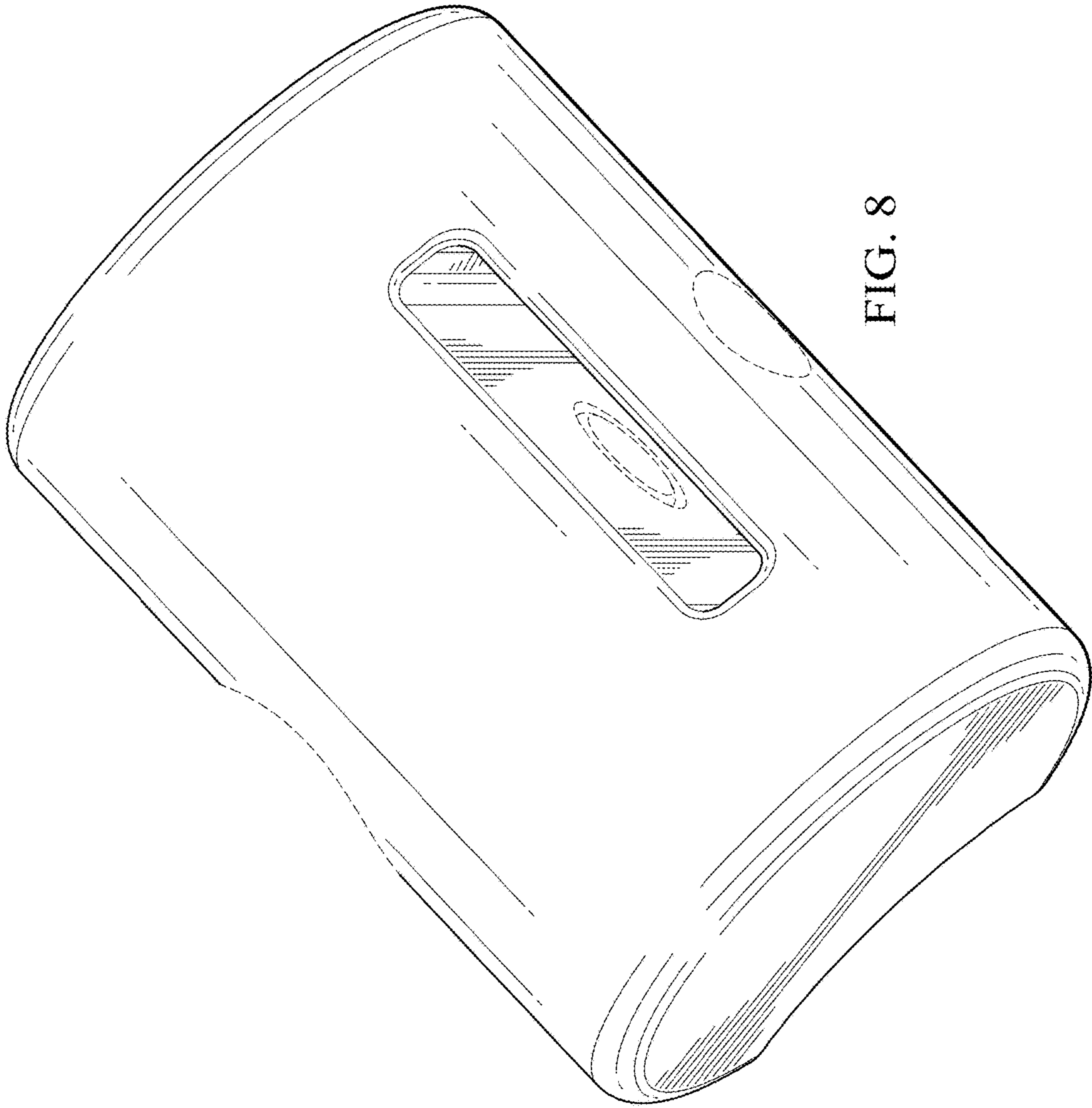


FIG. 8