



US00D811196S

(12) **United States Design Patent** (10) **Patent No.:** **US D811,196 S**
Llewellyn et al. (45) **Date of Patent:** **** Feb. 27, 2018**

(54) **TRANSPORT-CONTAINER LOCK**
(71) Applicant: **Bluewater Resources LLC**, Cotulla, TX (US)
(72) Inventors: **Jake Llewellyn**, Cotulla, TX (US); **Alex Villareal**, San Antonio, TX (US)
(73) Assignee: **Bluewater Resources LLC**, Cotulla, TX (US)
(**) Term: **15 Years**
(21) Appl. No.: **29/594,140**
(22) Filed: **Feb. 15, 2017**
(51) **LOC (11) Cl.** **08-07**
(52) **U.S. Cl.**
USPC **D8/330; D8/343**
(58) **Field of Classification Search**
USPC D8/330, 331, 333, 336, 339, 343–346, D8/400; 70/14, 57, 57.1, 64, 67, 69, 70, 70/77, 333 R, 466; 292/205, 148, 230, 292/231, 238, 260–264, 909, 912, 916
CPC E05C 3/12; E05C 3/16; E05C 3/00; B65F 1/1615; B65F 1/14
See application file for complete search history.

(56) **References Cited**
U.S. PATENT DOCUMENTS
3,966,075 A * 6/1976 Schultz B65D 88/005
105/393
4,184,708 A * 1/1980 Allen B65D 90/146
294/67.1
4,975,240 A * 12/1990 Lahr G21F 7/005
376/260
6,137,117 A * 10/2000 Feldstein G01N 21/6428
250/461.2
7,172,382 B2 * 2/2007 Frankel B65D 88/54
414/288
9,238,430 B2 * 1/2016 Metternich B60P 7/132
9,309,701 B2 * 4/2016 Jeffries B25H 3/02
(Continued)

Primary Examiner — Prabhakar G Deshmukh
(74) *Attorney, Agent, or Firm* — D. Tiller Law PLLC;
Donald Tiller

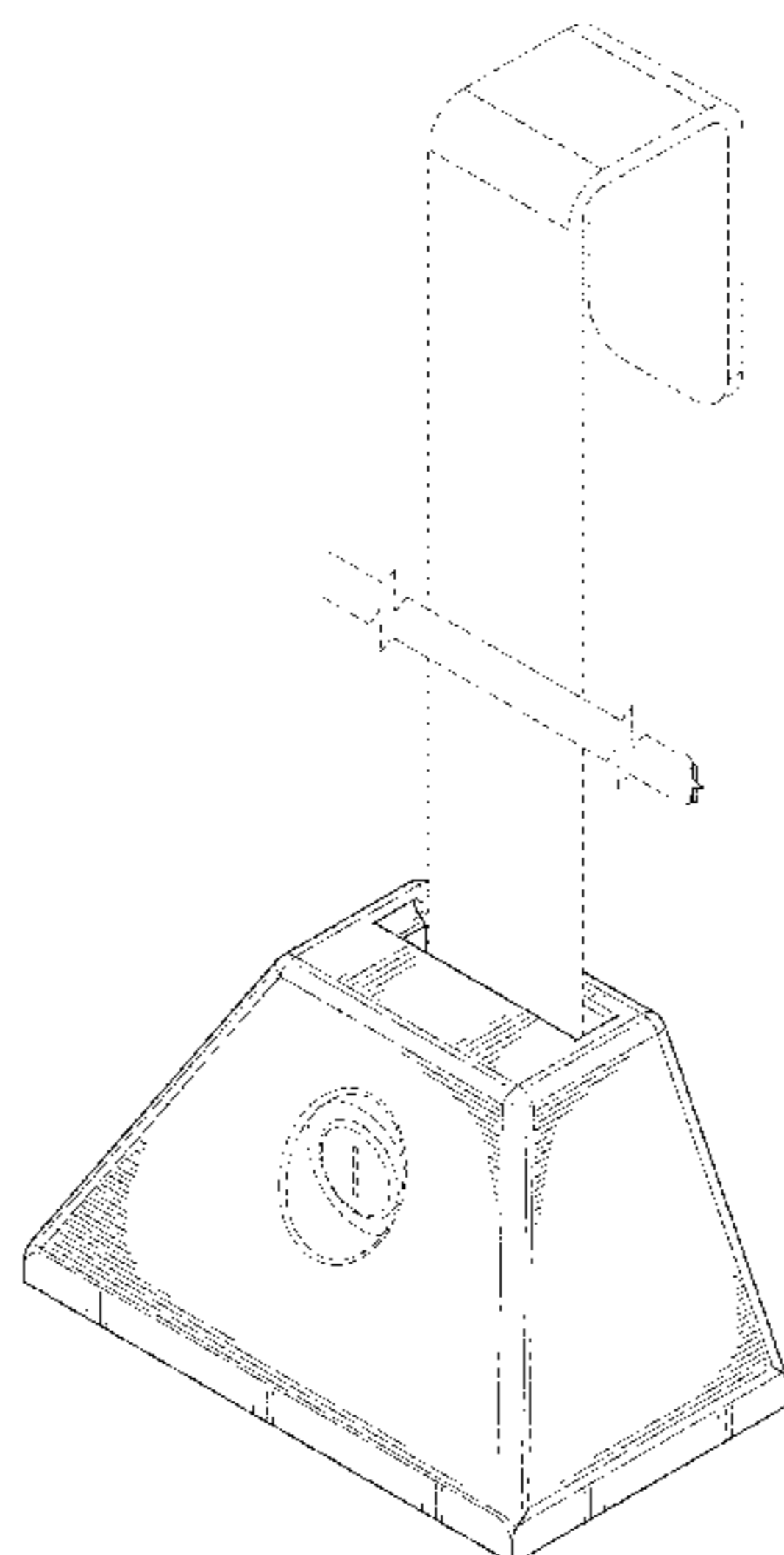
(57) **CLAIM**

The ornamental design for a transport-container lock, as shown and described.

DESCRIPTION

FIG. 1 is a front, right, top perspective view of a transport-container lock.
FIG. 2 is a front view of the transport-container lock.
FIG. 3 is a rear view of the transport-container lock.
FIG. 4 is a right-side view of the transport-container lock.
FIG. 5 is a left-side view of the transport-container lock.
FIG. 6 is a top view of the transport-container lock.
FIG. 7 is a bottom view of the transport-container lock.
FIG. 8 is a top perspective view of the transport-container lock.
FIG. 9 is a front, right, top perspective view of a transport-container lock.
FIG. 10 is a front view of the second embodiment of the transport-container lock.
FIG. 11 is a rear view of the second embodiment of the transport-container lock.
FIG. 12 is a right-side view of the second embodiment of the transport-container lock.
FIG. 13 is a left-side view of the second embodiment of the transport-container lock.
FIG. 14 is a top view of the second embodiment of the transport-container lock.
FIG. 15 is a bottom view of the second embodiment of the transport-container lock; and,
FIG. 16 is a top perspective view of the second embodiment of the transport-container lock.
The broken lines indicate unclaimed portions of the design. The broken lines in FIG. 1 illustrate environment. The broken lines form no part of the claimed design.

1 Claim, 16 Drawing Sheets



(56)

References Cited

U.S. PATENT DOCUMENTS

D756,744 S * 5/2016 Weisshaupt D8/331
D789,770 S * 6/2017 Reeb D8/330
9,821,965 B2 * 11/2017 Wolfe B65G 51/44

* cited by examiner

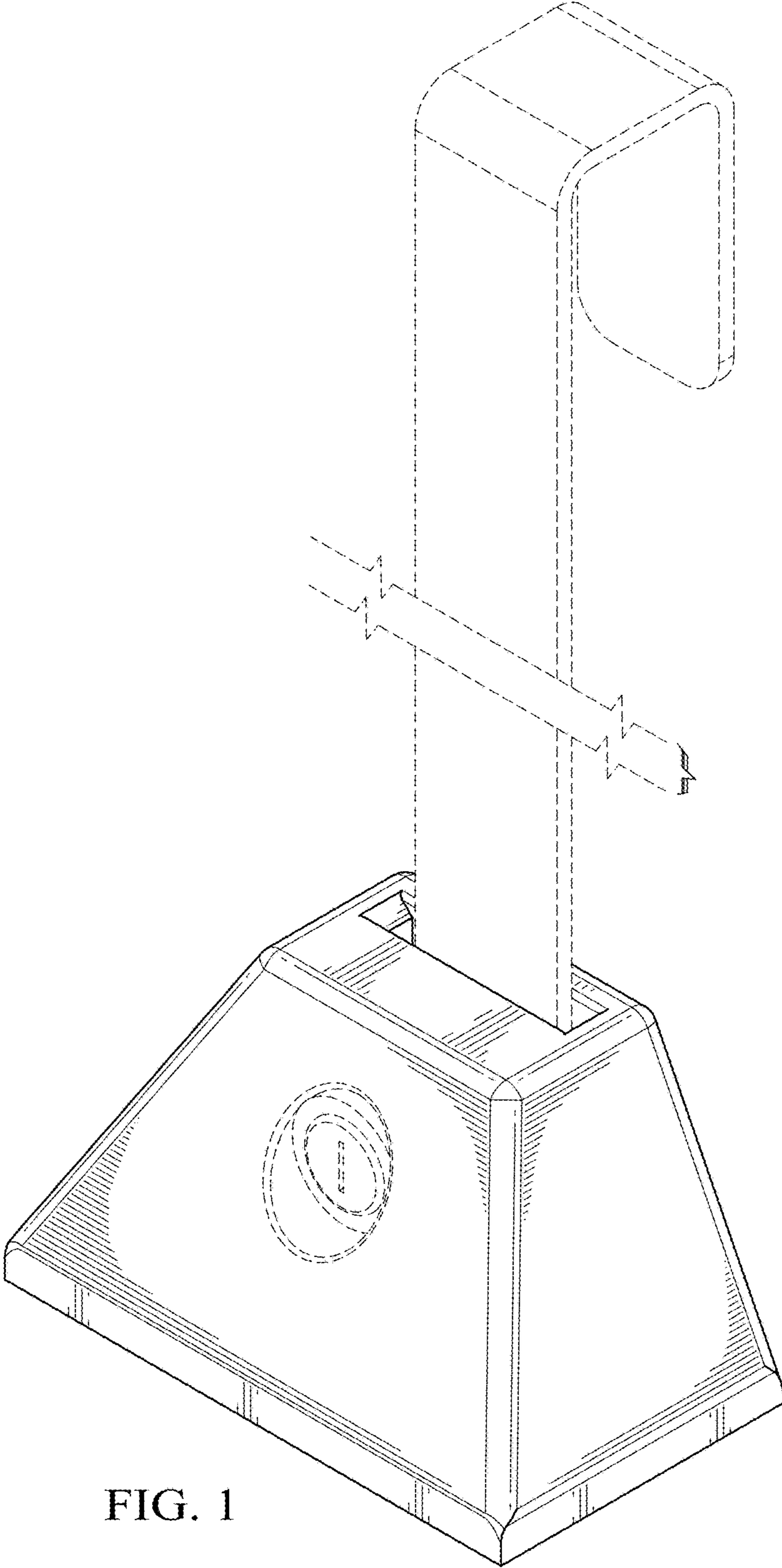


FIG. 1

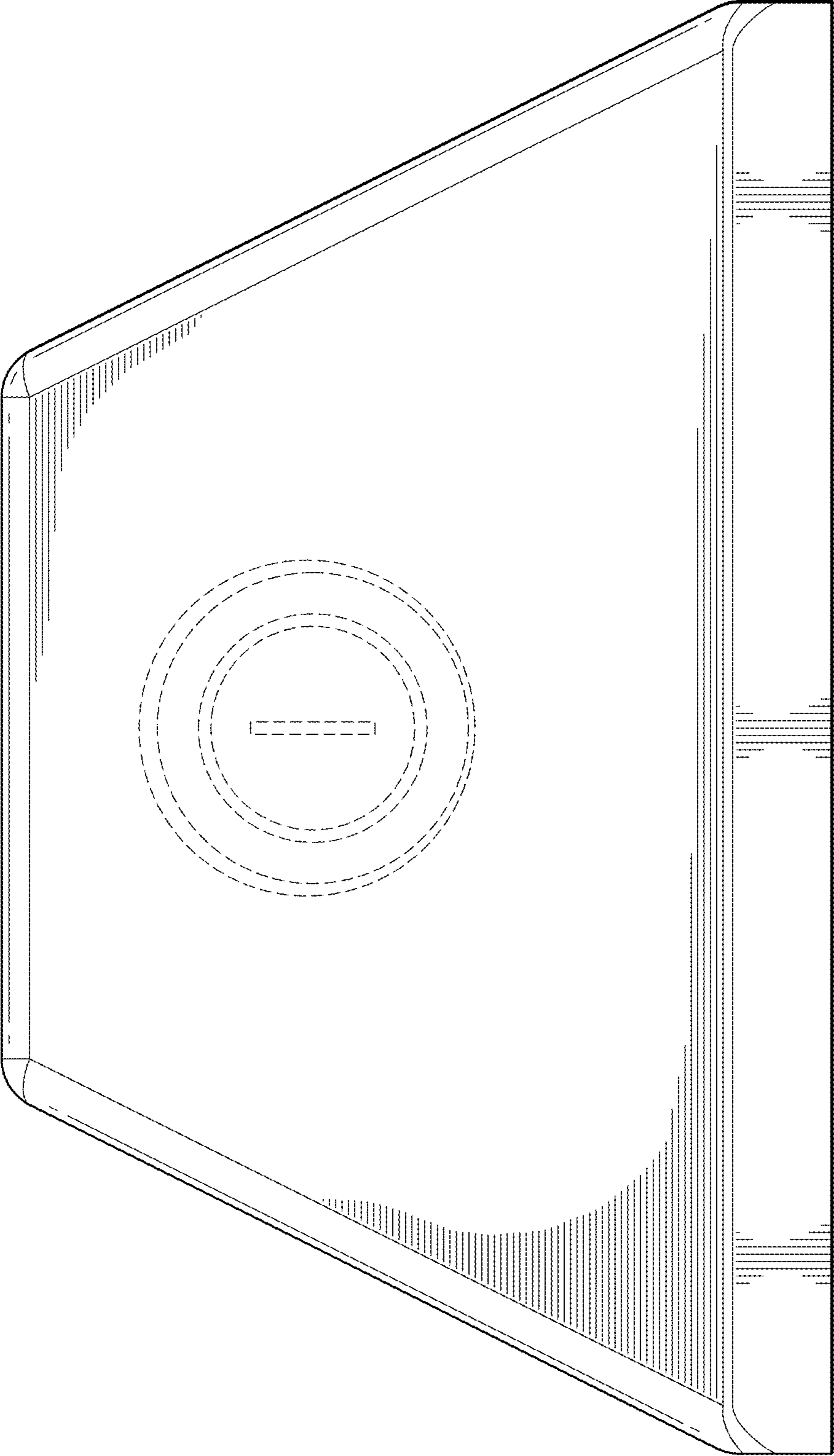


FIG. 2

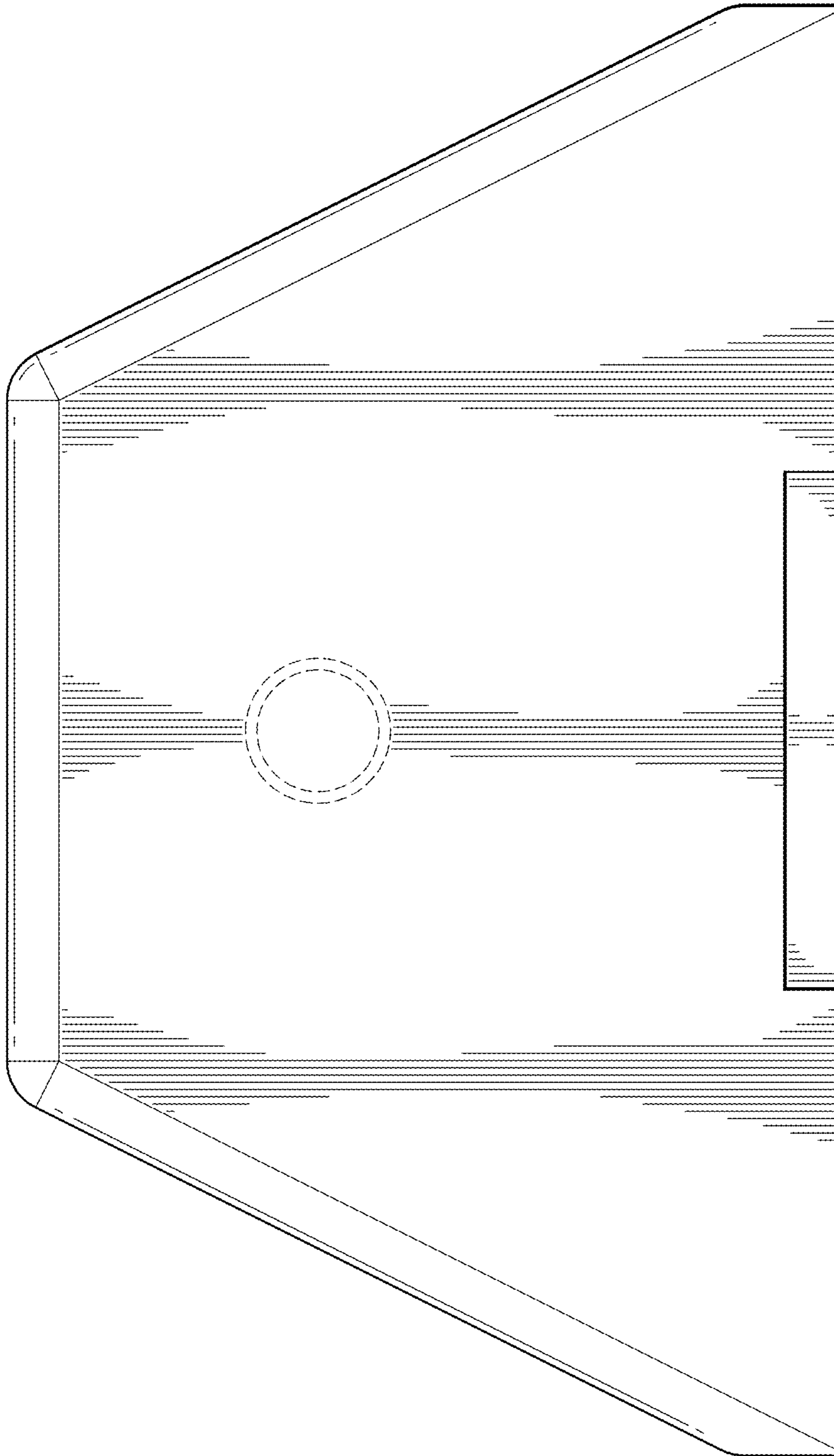


FIG. 3

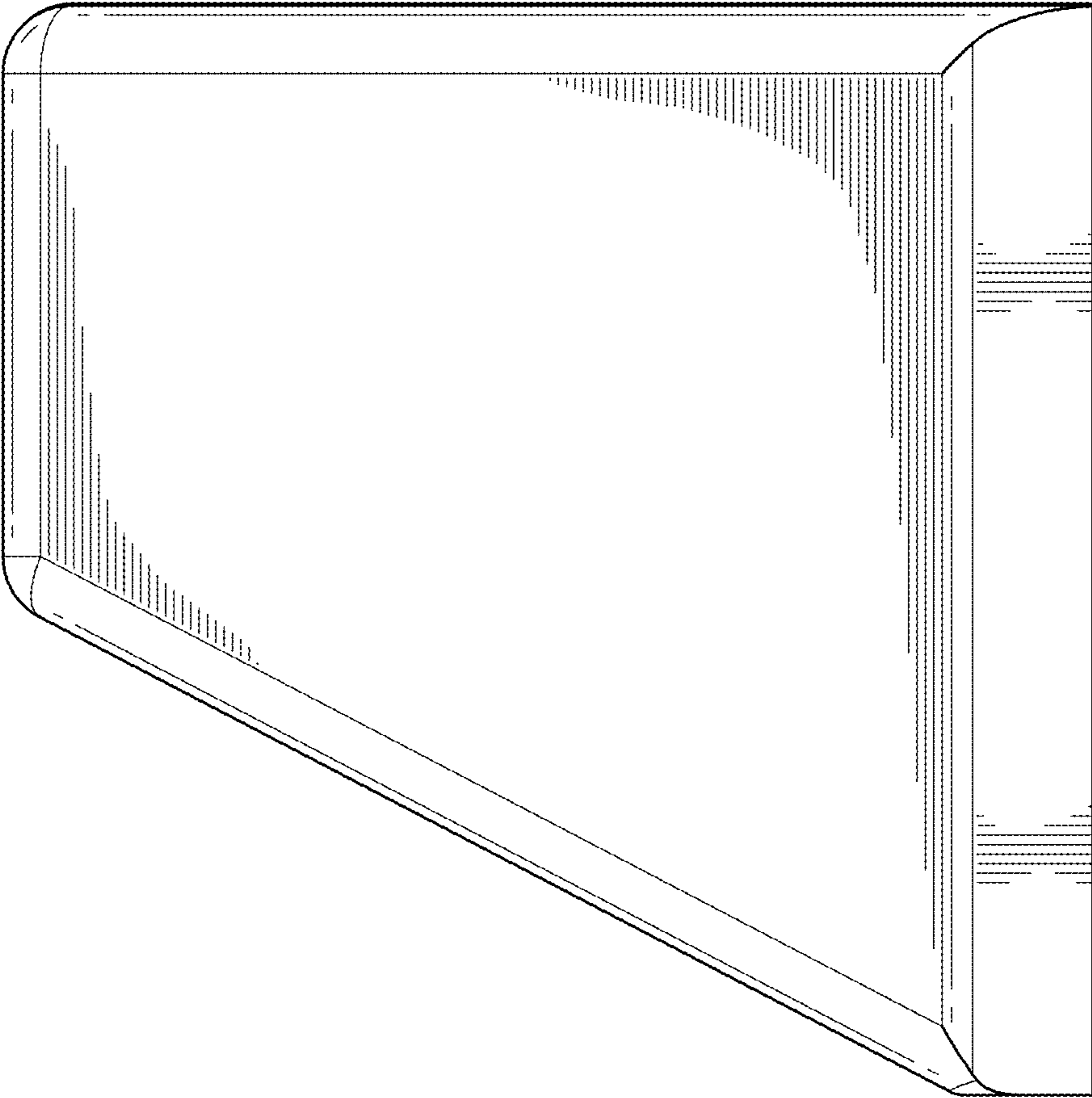


FIG. 4

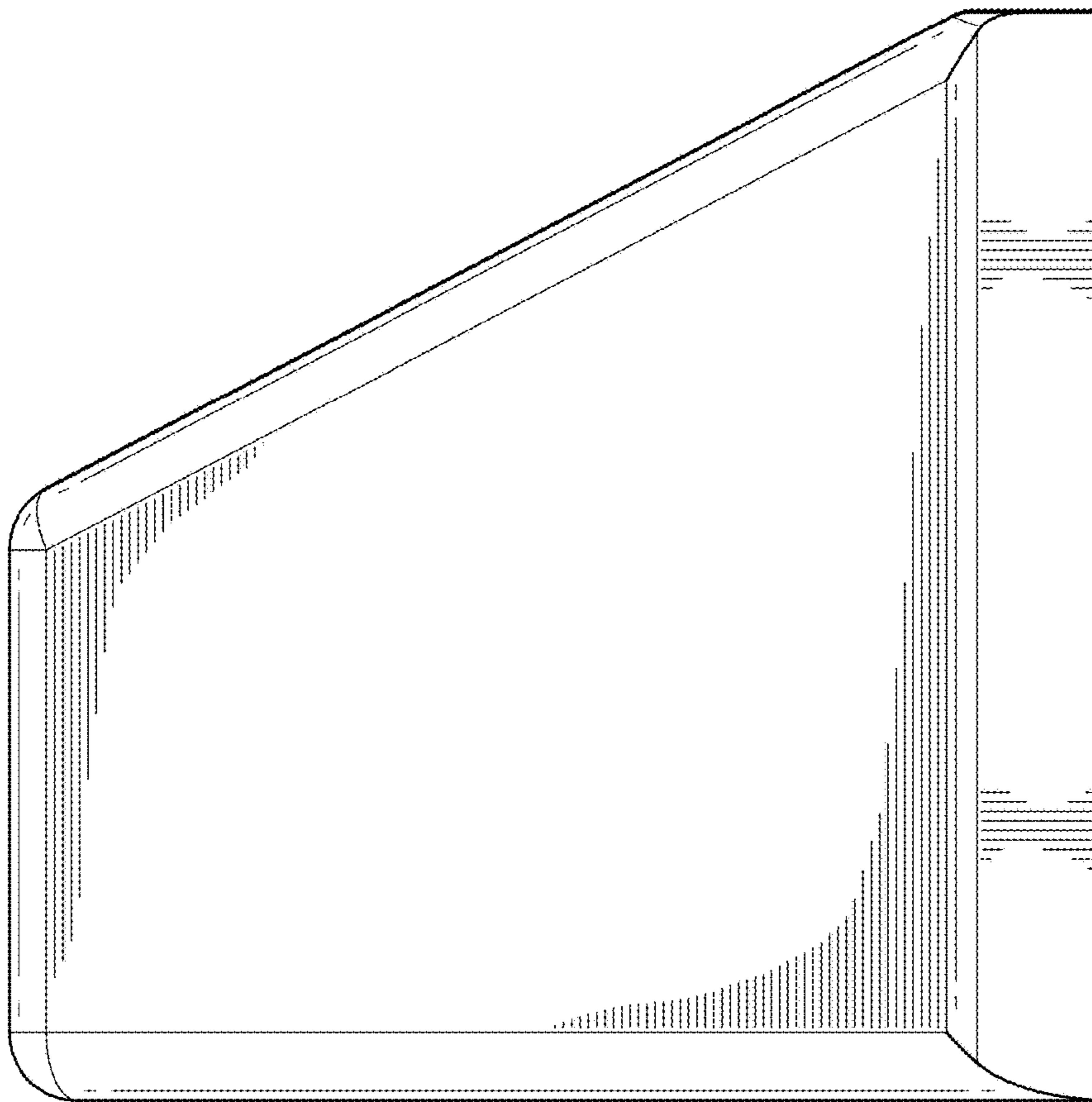


FIG. 5

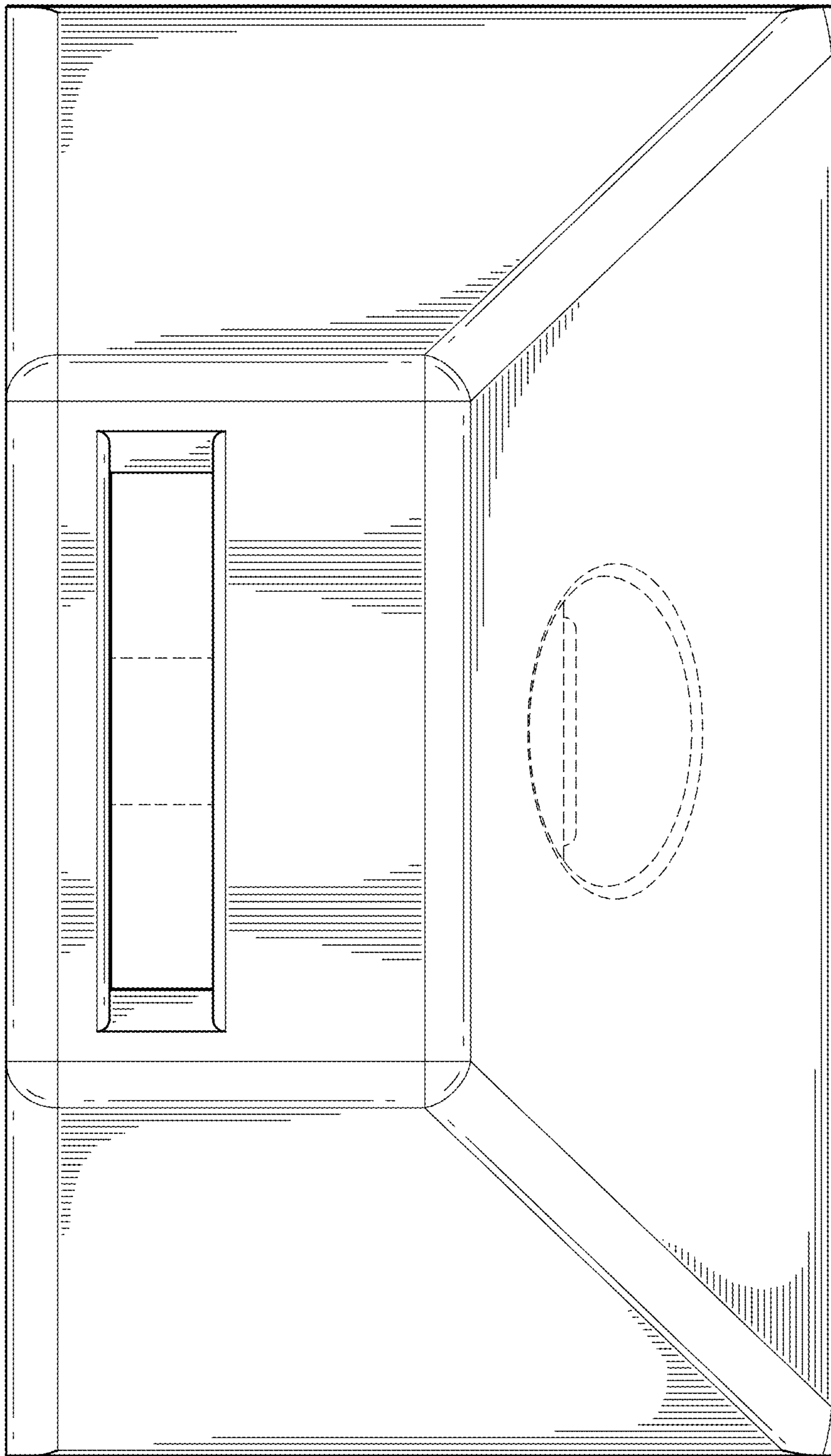


FIG. 6

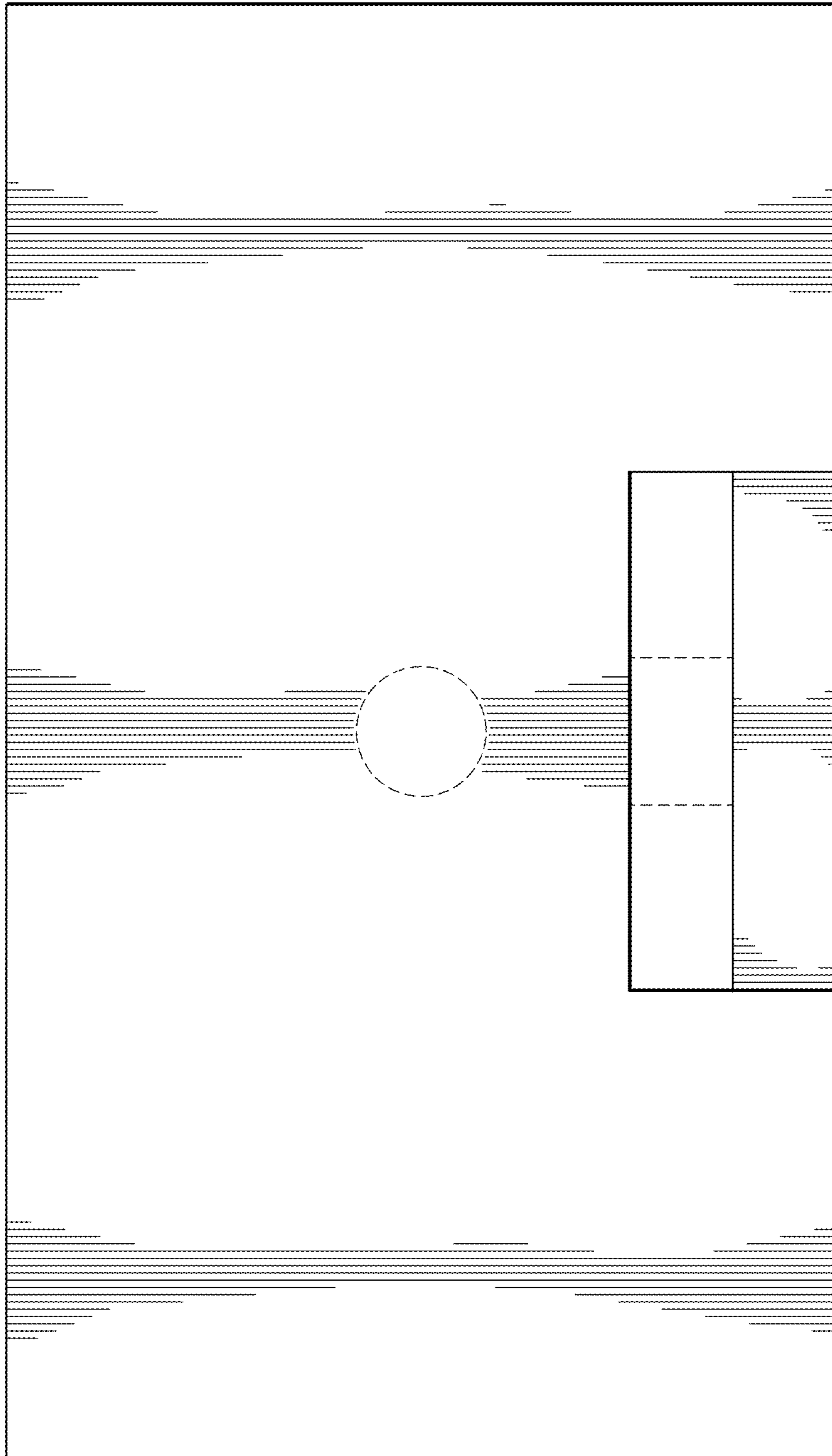


FIG. 7

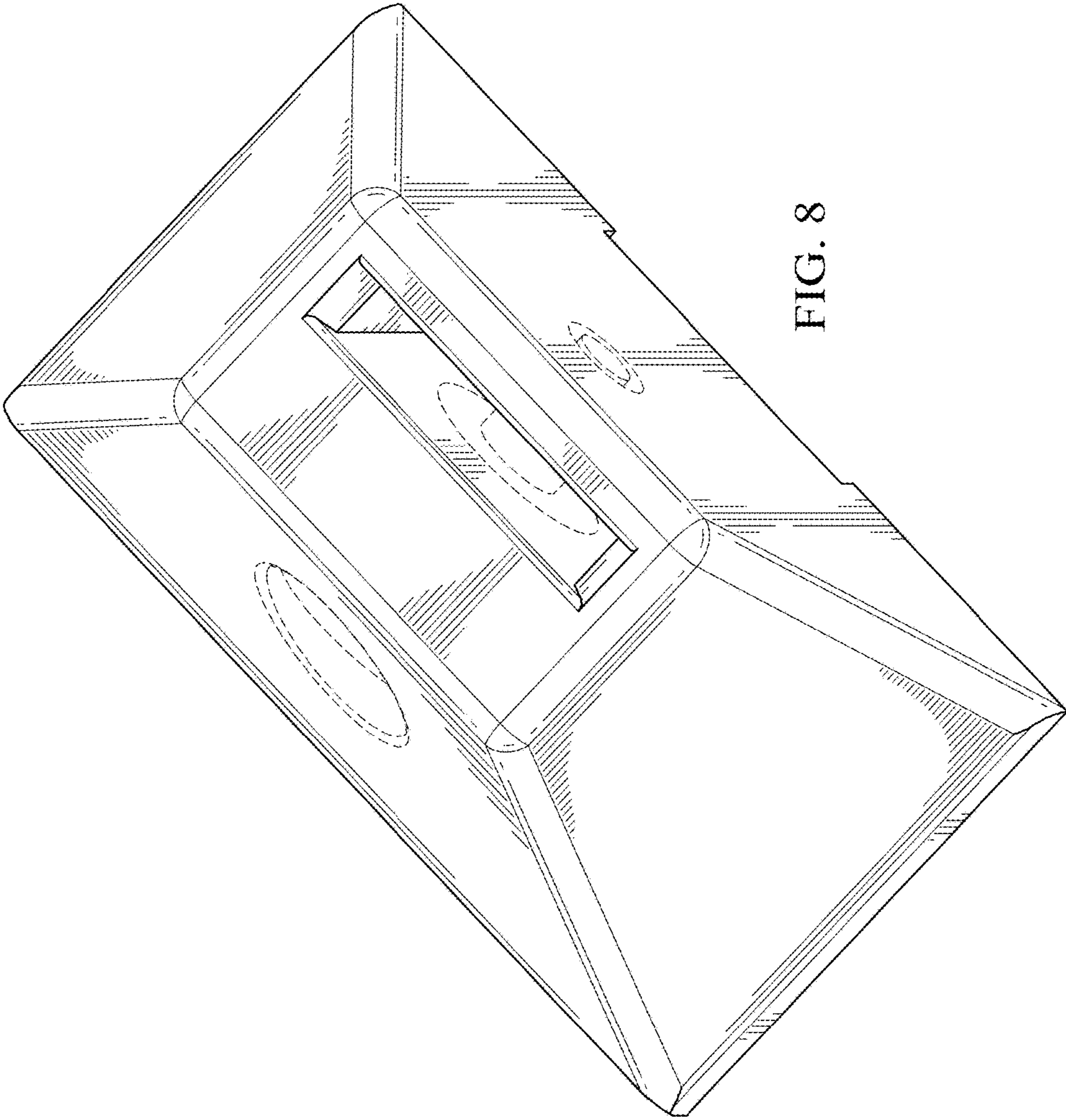


FIG. 8

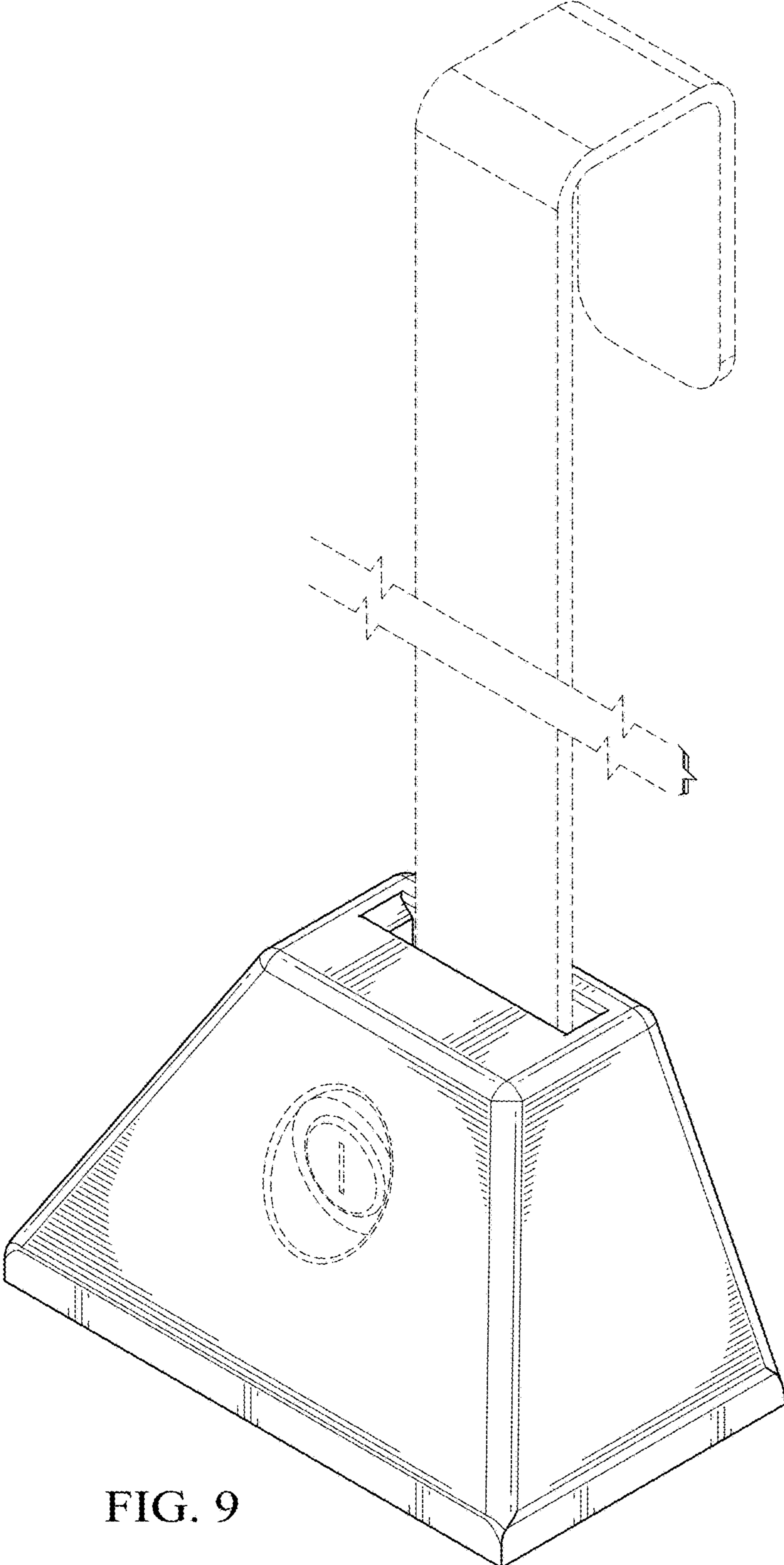


FIG. 9

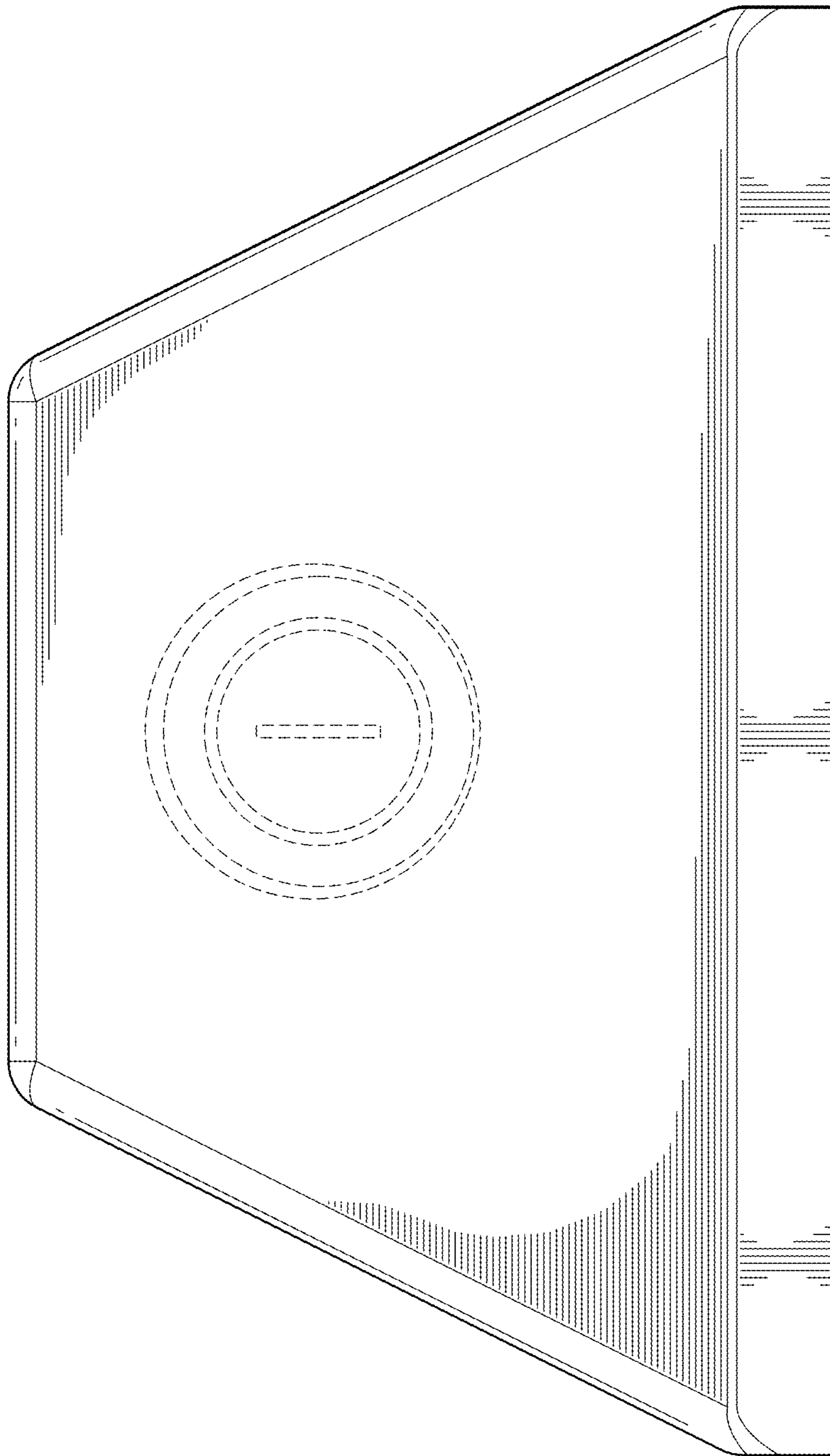


FIG. 10

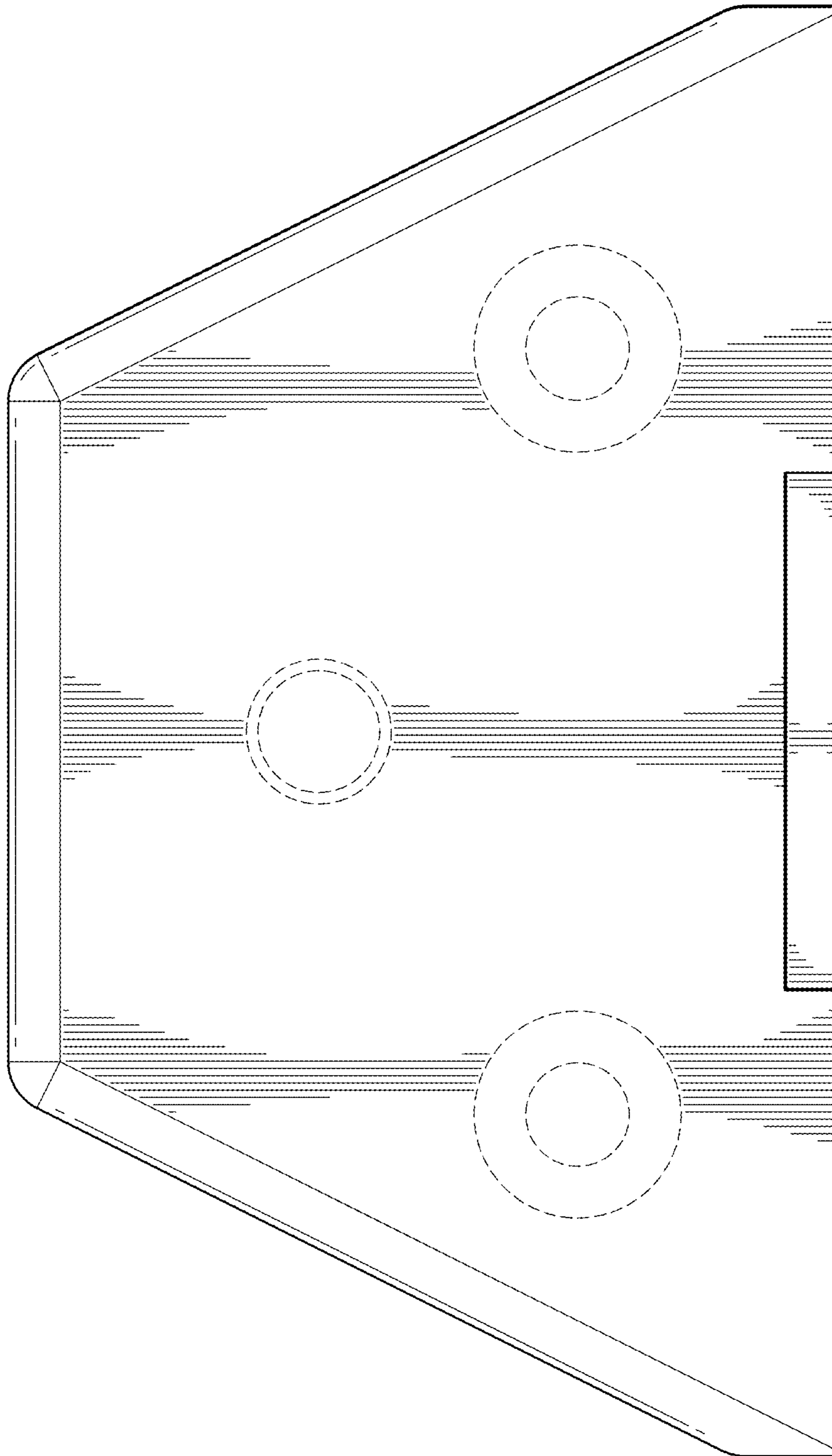


FIG. 11

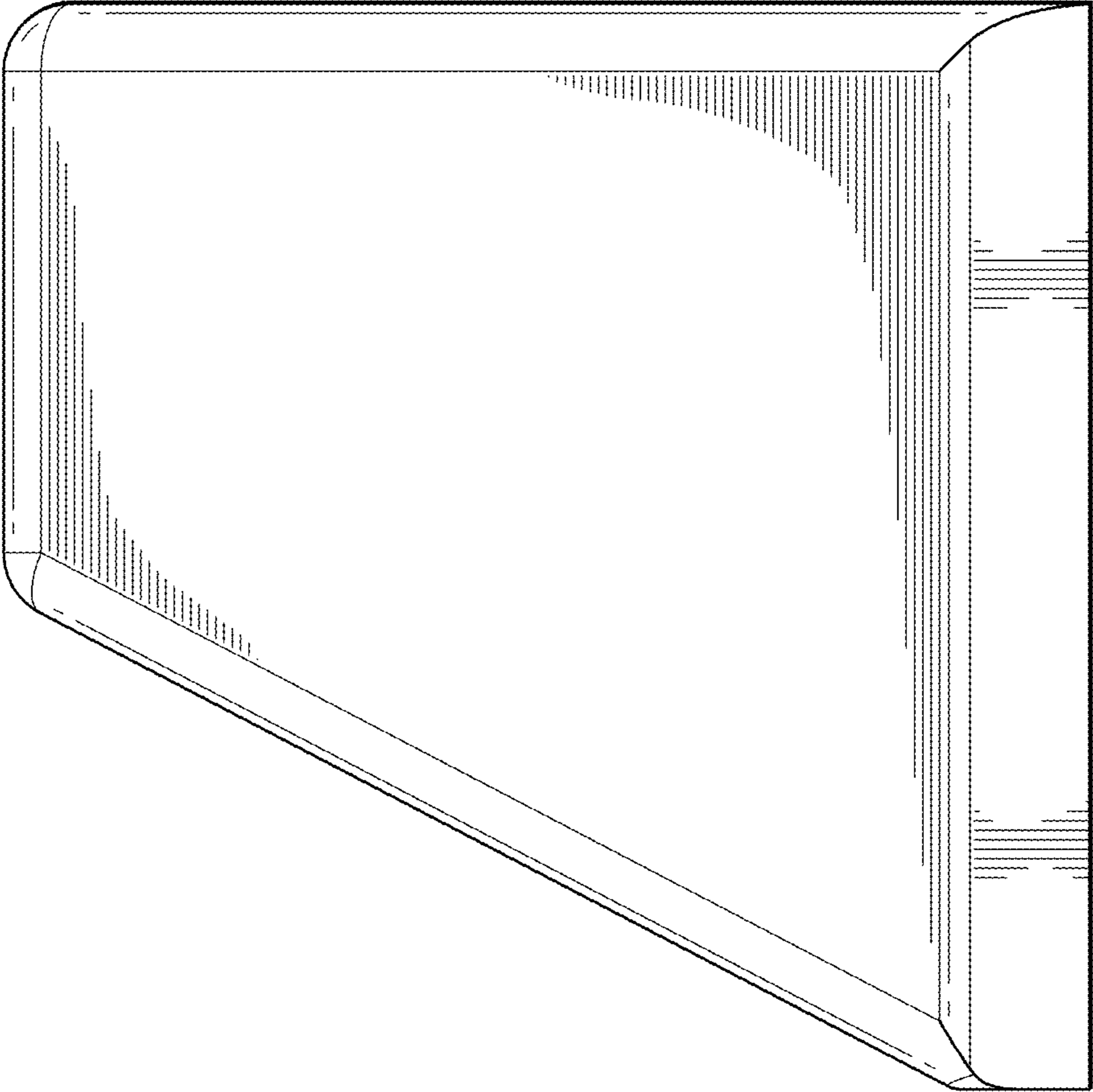


FIG. 12

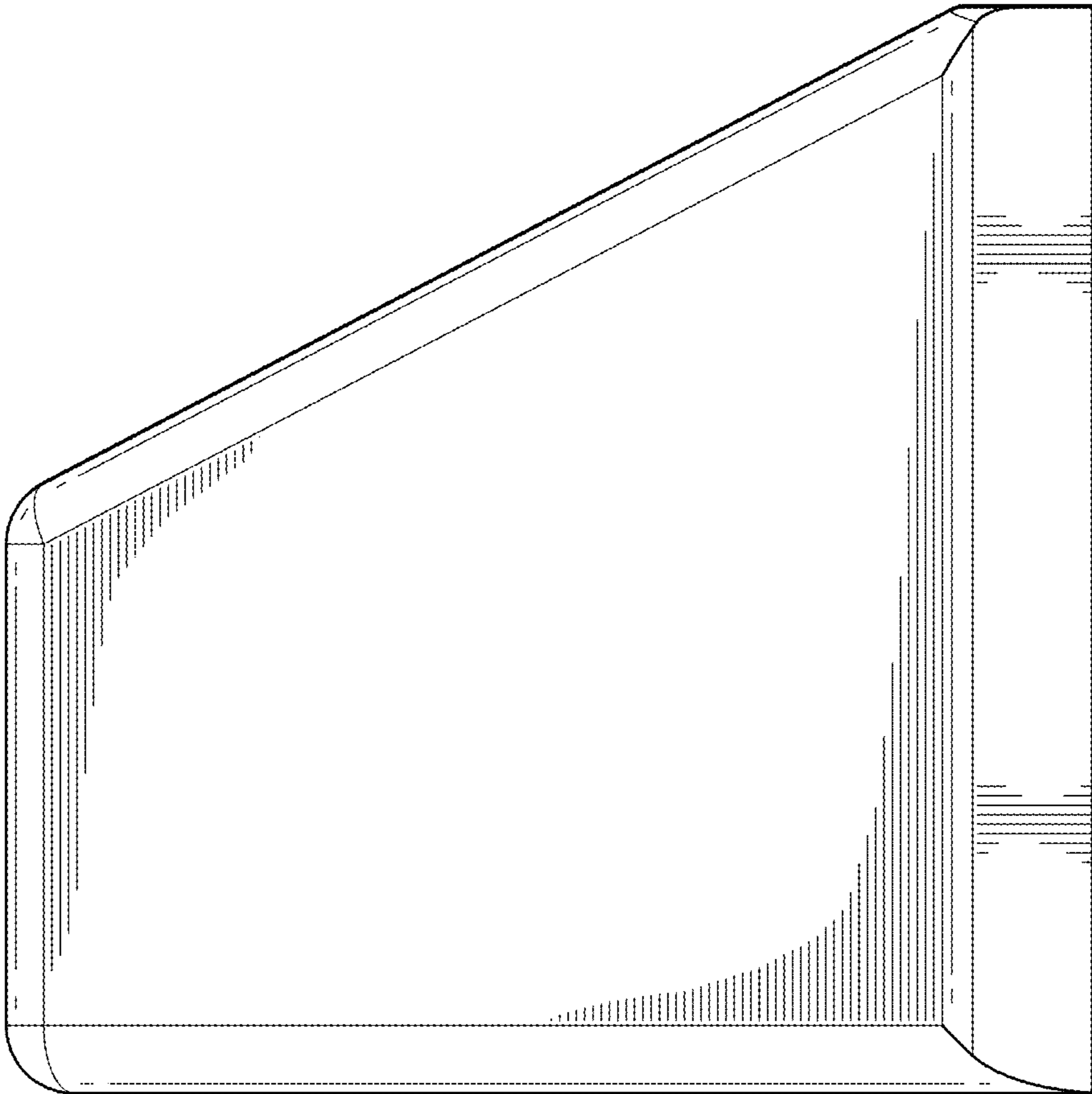


FIG. 13

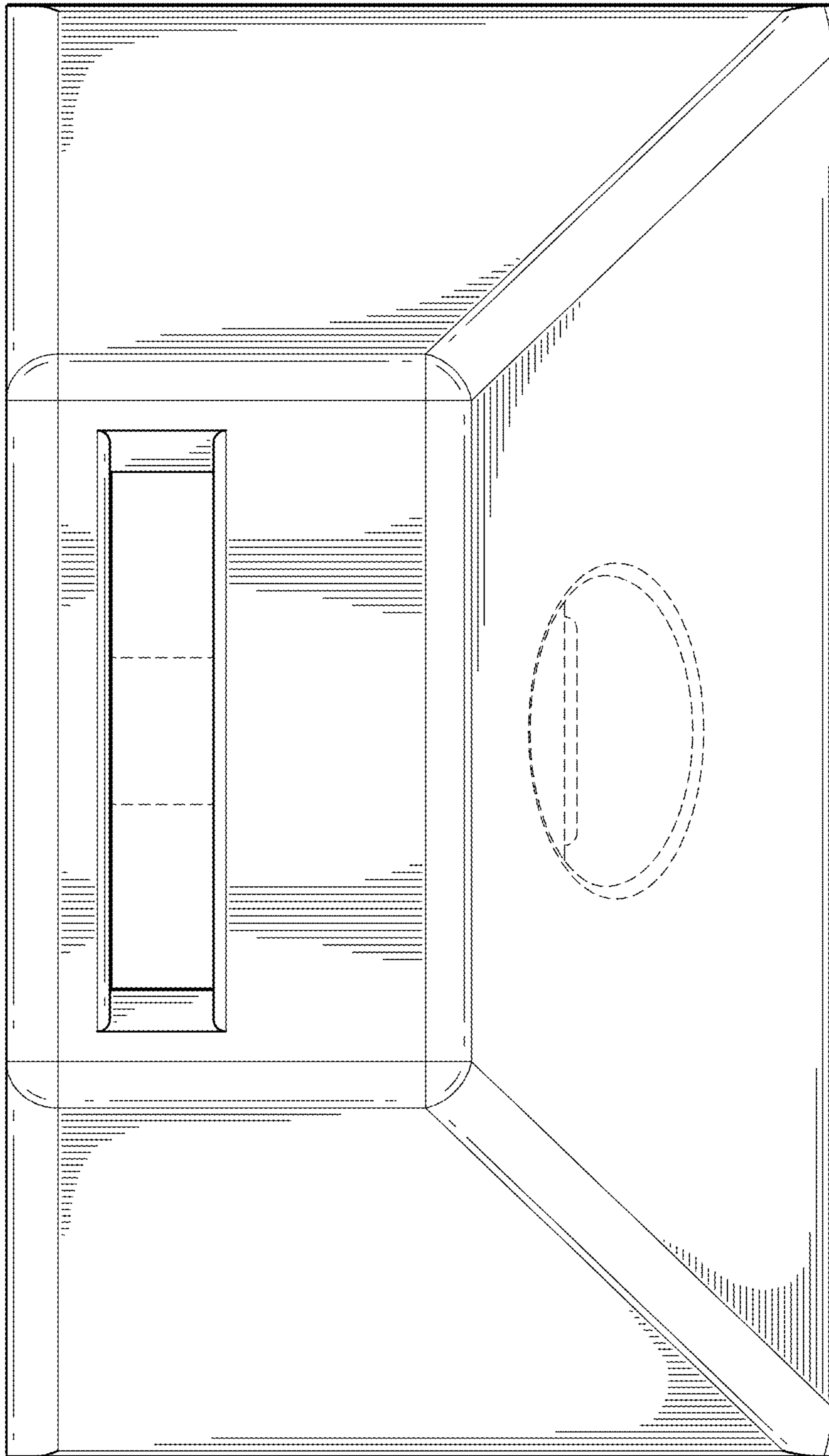


FIG. 14

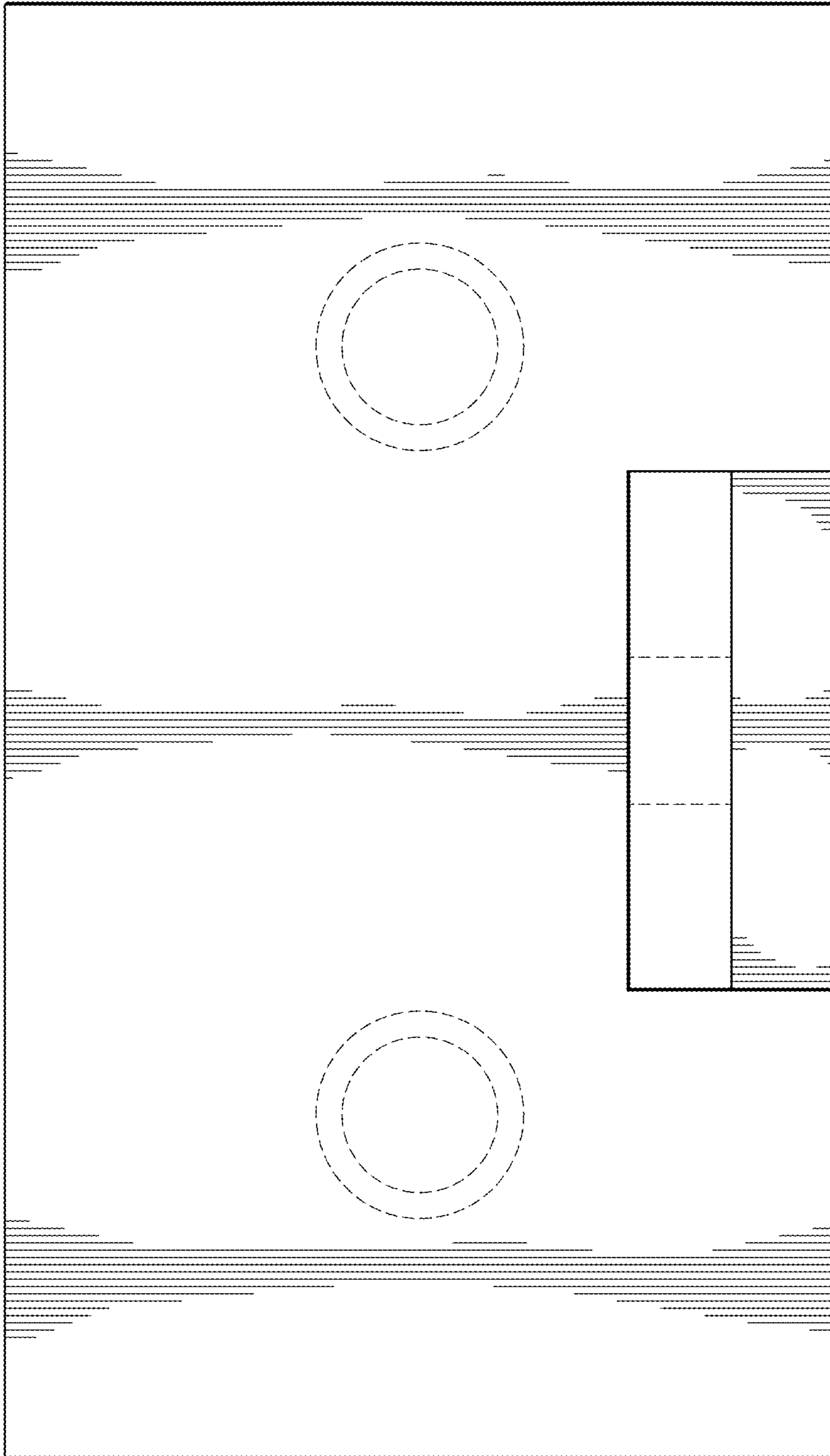


FIG. 15

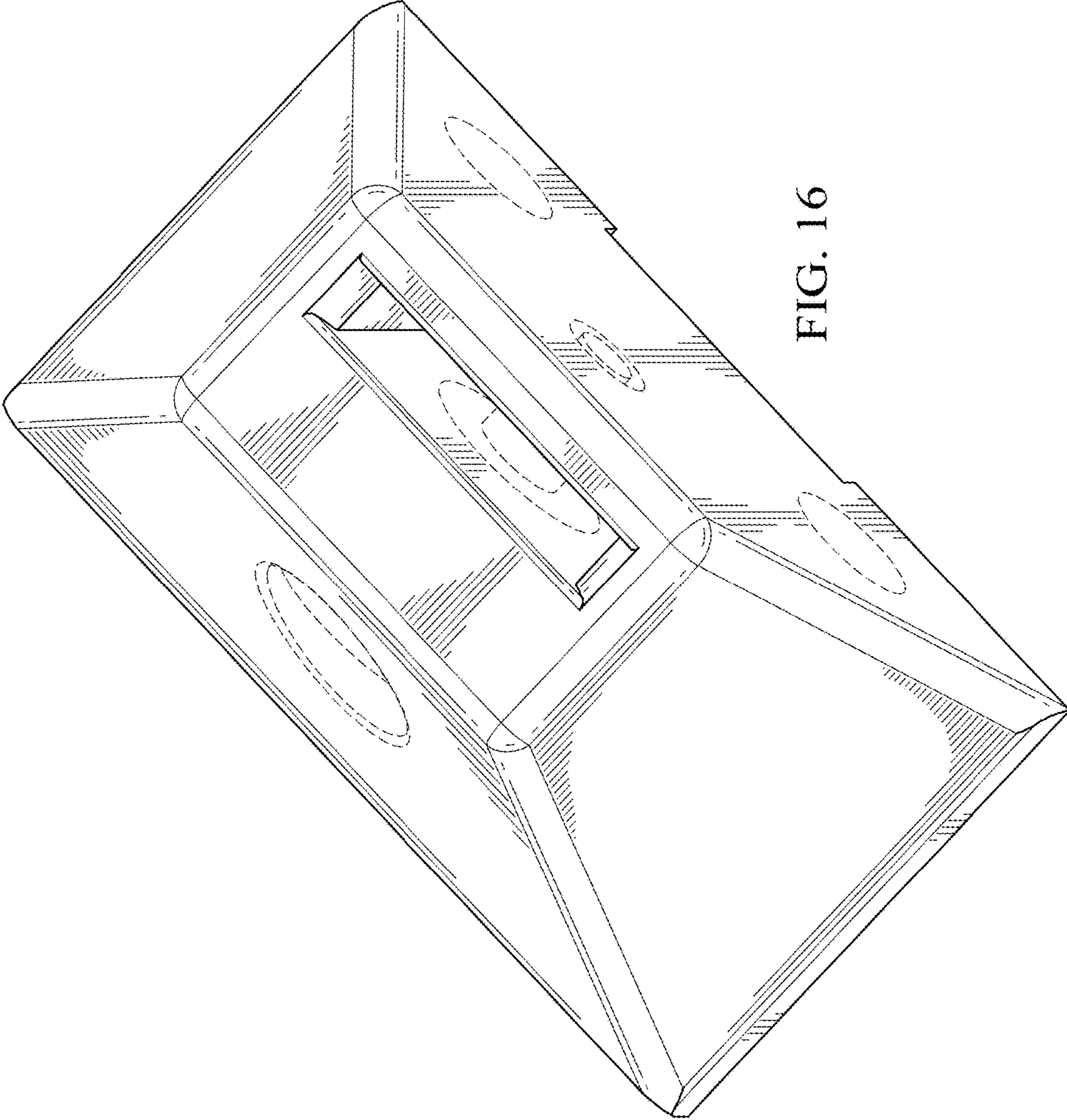


FIG. 16