



US00D811194S

(12) **United States Design Patent** (10) **Patent No.:** **US D811,194 S**
Yuki (45) **Date of Patent:** **** Feb. 27, 2018**

(54) **CABINET KNOB**

(71) Applicant: **Terrel Yuki**, Yorba Linda, CA (US)

(72) Inventor: **Terrel Yuki**, Yorba Linda, CA (US)

(**) Term: **14 Years**

(21) Appl. No.: **29/516,927**

(22) Filed: **Feb. 6, 2015**

(51) **LOC (11) Cl.** **08-06**

(52) **U.S. Cl.**
USPC **D8/310**

(58) **Field of Classification Search**

USPC D8/300, 305, 307, 310, 311, 312;
D7/393; D23/250, 254; 16/110.1, 413,
16/414, 415, 417, 422, 441, DIG. 30;
292/336.3, 347; D26/1, 2, 38, 51, 58, 67,
D26/113, 124; 362/145-147, 501, 641,
362/650; 313/110, 112, 315
CPC ... Y10T 292/57; Y10T 292/82; Y10T 16/469;
Y10T 16/44; Y10T 16/506; Y10T 292/85;
Y10T 16/458; Y10T 74/2084; Y10T
16/46; Y10T 16/459; Y10T 74/20732;
Y10T 292/03; Y10T 16/4713; Y10T
16/466; Y10T 292/88; Y10T 29/49599;
Y10T 16/487; Y10T 16/462; Y10T
16/4636; Y10T 74/20864; Y10T 70/5155;
Y10T 16/4559; Y10T 292/0951; Y10T
292/0891; Y10T 292/0934; Y10T
292/0968; E05B 1/0007; E05B 1/0015;
E05B 79/06; E05B 85/10; E05B 1/0053;
E05B 55/005; E05B 1/00; E05B 85/107;
E05B 3/00; F21Y 2101/02; F21Y
2103/025; F21Y 2103/02; F21Y
2111/001; F21S 8/033; F21S 4/008; F21S
8/00; F21S 8/036

See application file for complete search history.

(56) **References Cited**

U.S. PATENT DOCUMENTS

337,093	A *	3/1886	Thistle	E05B 1/0007 292/347
1,803,375	A *	5/1931	Adams	E05B 1/0007 16/414
3,487,496	A *	1/1970	Warbington	E05B 1/0007 16/414
D327,732	S *	7/1992	Yost	D23/250
D601,402	S *	10/2009	Jackson	D8/310
D736,589	S *	8/2015	Watson	D8/310
D766,063	S *	9/2016	Yuki	D8/310
D766,064	S *	9/2016	Yuki	D8/310
D772,688	S *	11/2016	Zimmer	D8/310
D780,551	S *	3/2017	Zimmer	D8/310

* cited by examiner

Primary Examiner — Lauren R Calve
(74) *Attorney, Agent, or Firm* — Rutan & Tucker LLP;
Hani Z. Sayed

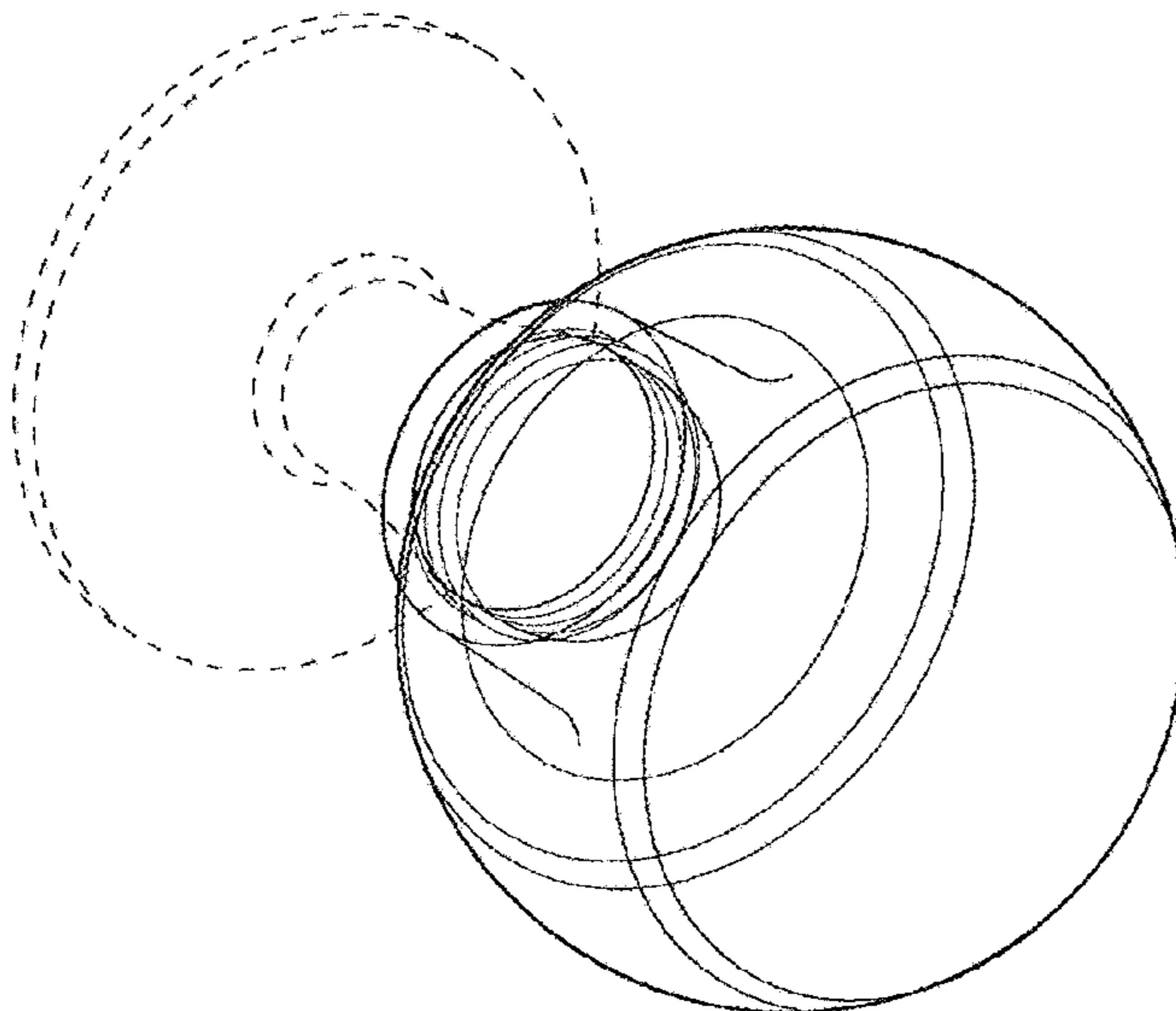
(57) **CLAIM**

The ornamental design for a cabinet knob, as shown and described.

DESCRIPTION

FIG. 1 is a top, front, left side perspective view of the cabinet knob of the present invention shown in environment use; FIG. 2 is a left side elevation view, the right side, top plan, and bottom plan views being identical; FIG. 3 is a front elevation view; FIG. 4 is a rear elevation view; and, FIG. 5 is a cross-sectional view, taken along line 5-5 of FIG. 4.
The broken lines represent unclaimed subject matter and form no part of the claimed invention.

1 Claim, 2 Drawing Sheets



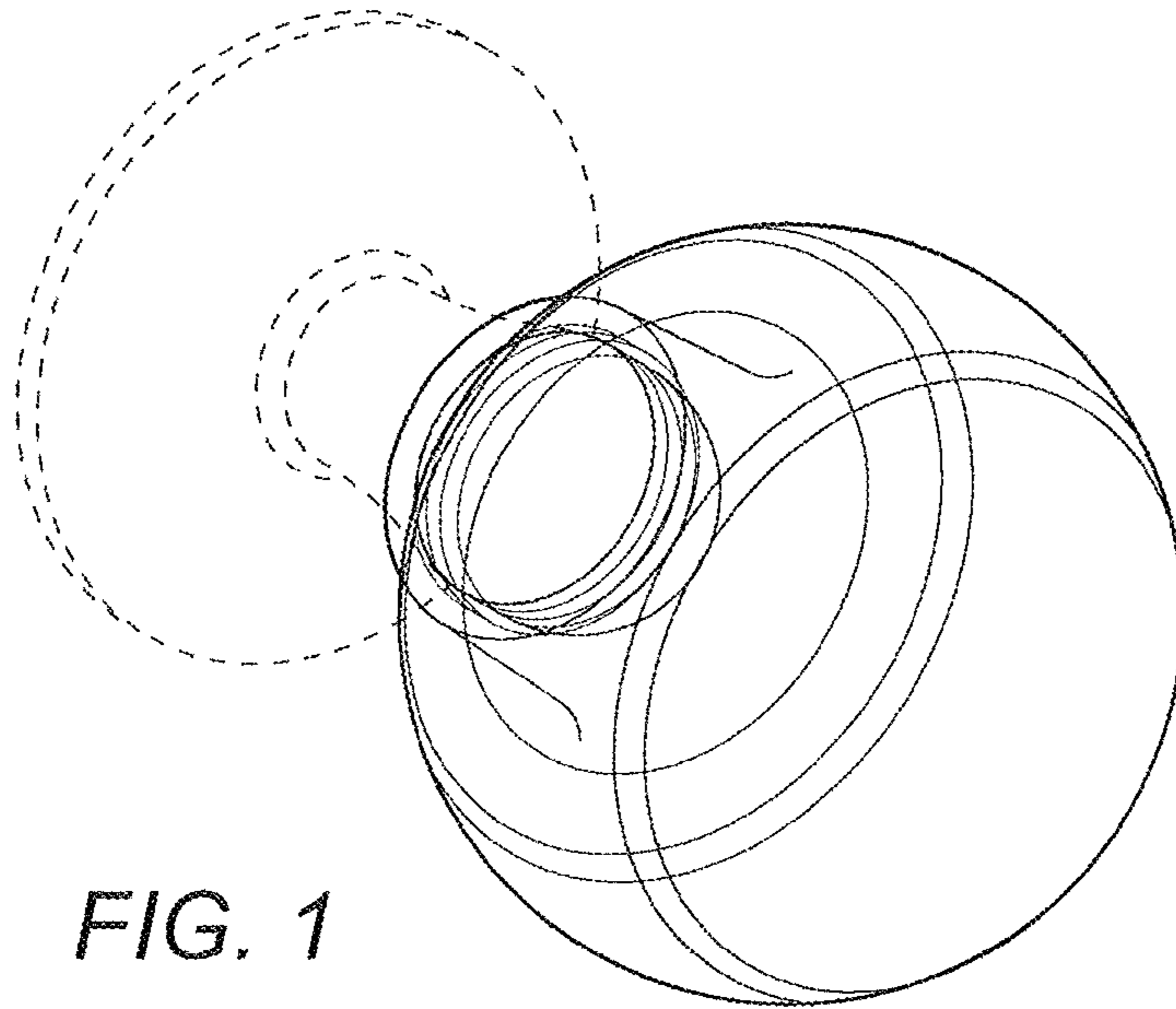


FIG. 1

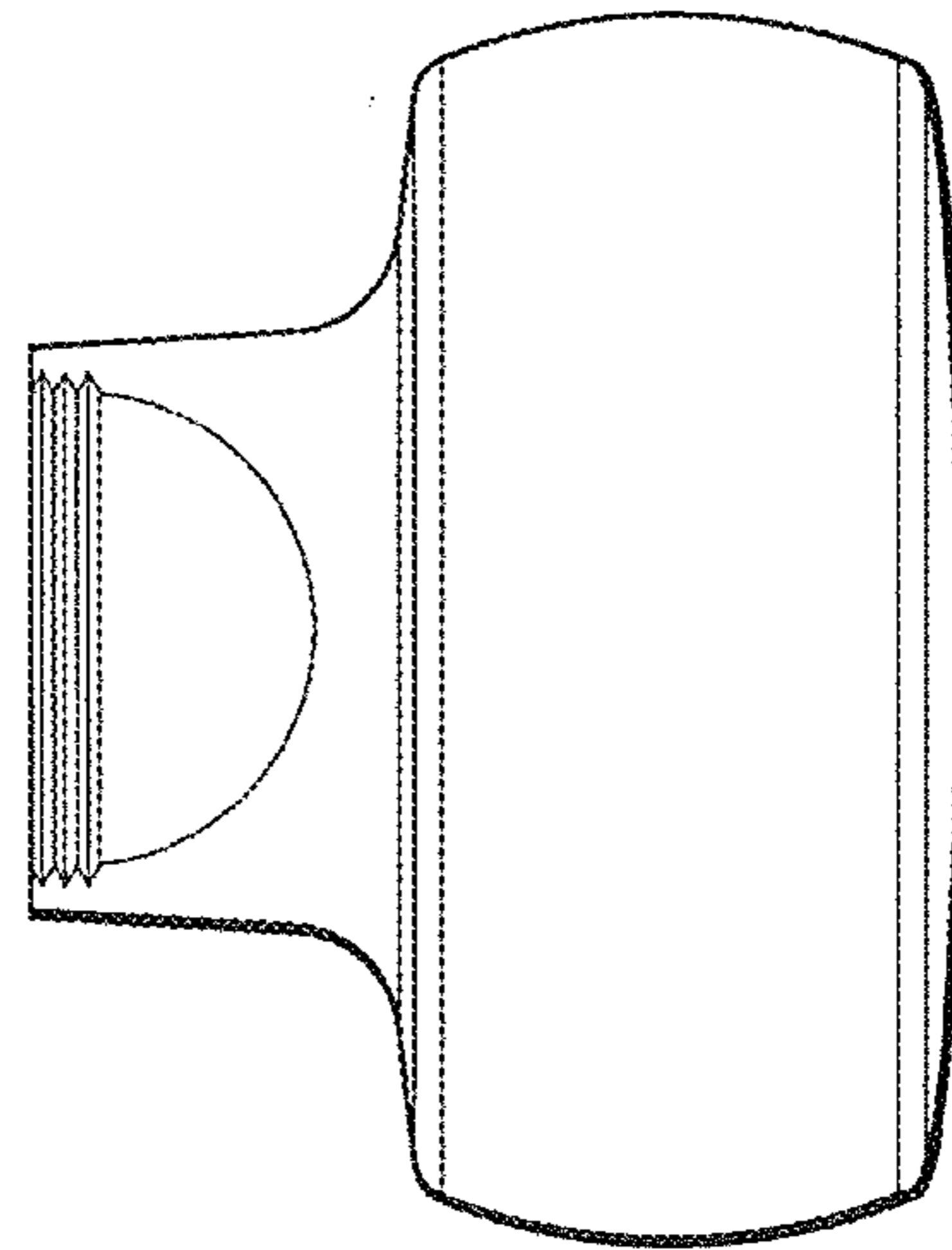


FIG. 2

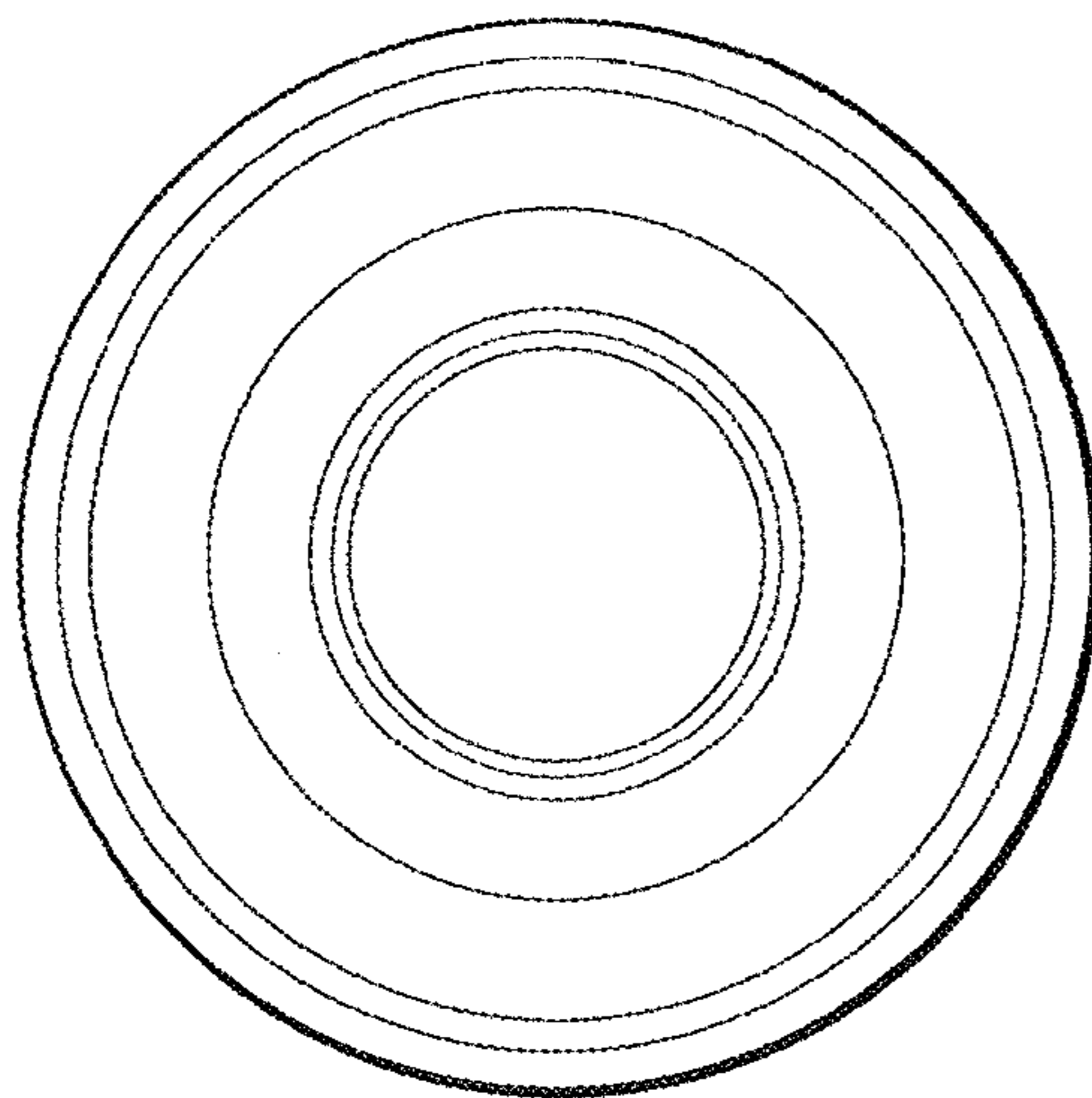


FIG. 3

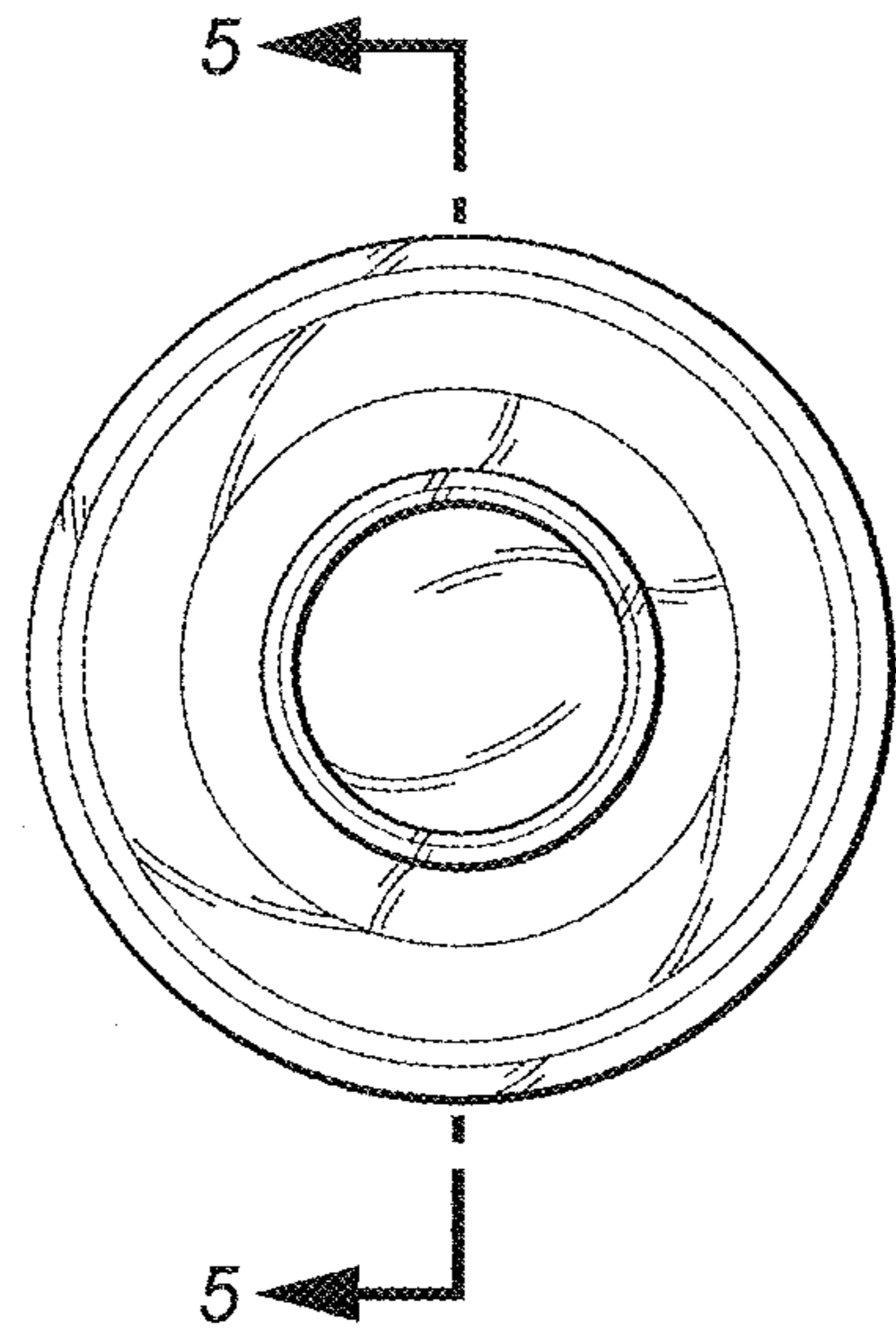


FIG. 4

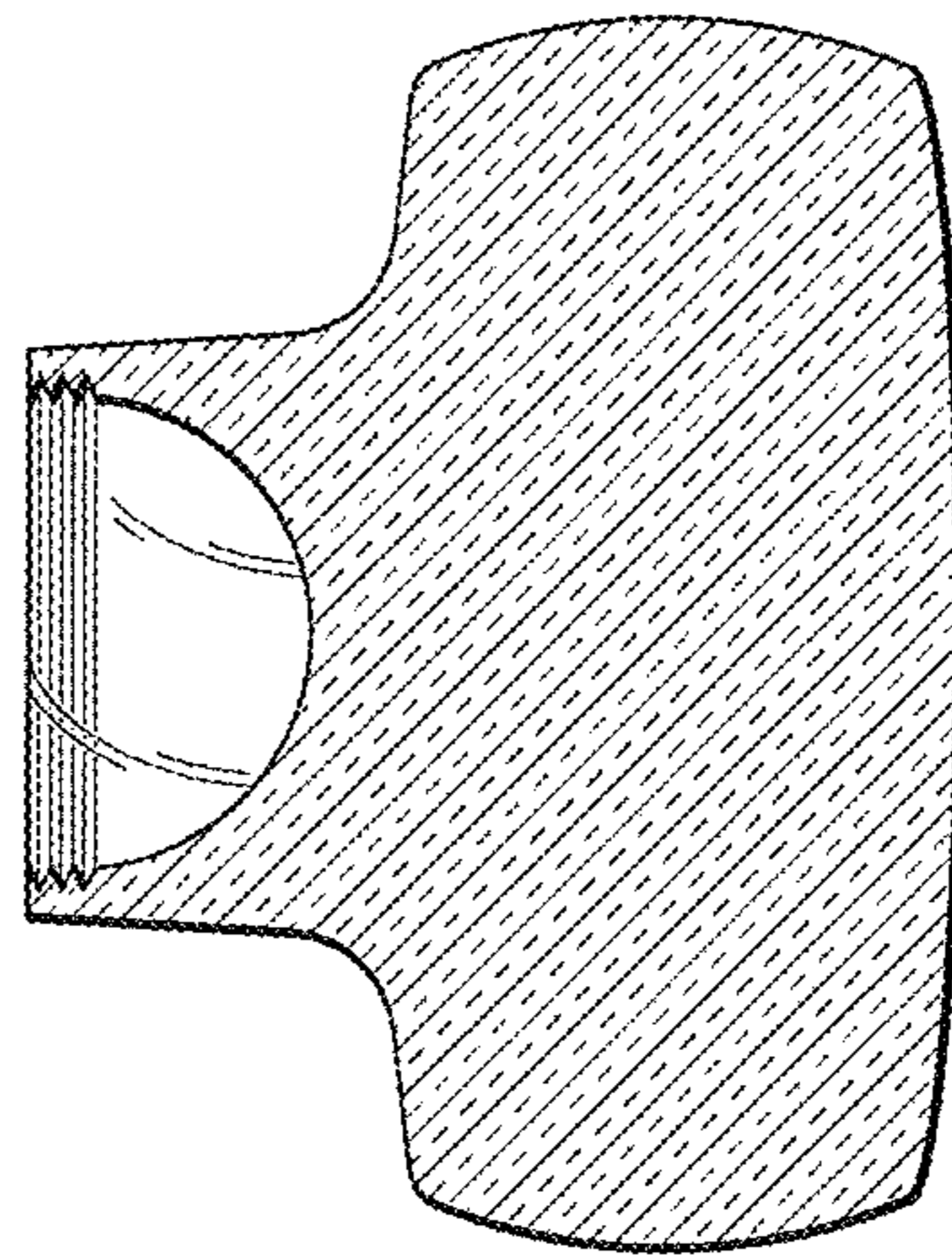


FIG. 5