



US00D811193S

(12) **United States Design Patent** (10) **Patent No.:** **US D811,193 S**  
**Hsu** (45) **Date of Patent:** **\*\* Feb. 27, 2018**

(54) **HANDLE**

(71) Applicant: **Spectrum Brands, Inc.**, Middleton, WI (US)

(72) Inventor: **Wei Hsu**, Lake Forest, CA (US)

(73) Assignee: **Spectrum Brands, Inc.**, Middleton, WI (US)

(\*\*) Term: **15 Years**

(21) Appl. No.: **29/589,633**

(22) Filed: **Jan. 3, 2017**

(51) **LOC (11) Cl.** ..... **08-06**

(52) **U.S. Cl.**  
USPC ..... **D8/308**

(58) **Field of Classification Search**  
USPC ..... D8/300-302, 307-309, 310, 311, D8/DIG. 10; D23/250, 252; 292/336.3  
CPC ..... Y10T 16/44; Y10T 74/20612; Y10T 74/20732; Y10T 16/458; Y10T 16/498; Y10T 16/469; Y10T 16/476; Y10T 74/20744; Y10T 74/20864; Y10T 16/4628; Y10T 74/20642; Y10T 16/473; Y10T 74/20762; Y10T 74/2042; Y10T 74/20828; Y10T 16/459; Y10T 16/4713; Y10T 74/2014; Y10T 16/50; Y10T 74/20438; Y10T 74/20582; Y10T 74/20738; Y10T 16/48; Y10T 74/20618; Y10T 74/20684; Y10T 74/20624; Y10T 74/20468; Y10T 16/61; Y10T 16/4719; Y10T 16/86; Y10S 16/30; Y10S 292/31; Y10S 292/53; Y10S 16/12; Y10S 292/23; Y10S 292/27; Y10S 292/30; Y10S 292/63; E05B 85/16; E05B 1/0015; E05B 77/06; E05B 79/06; E05B 85/18; E05B 85/12; E05B 85/10; E05B 7/00; E05B 1/0053; E05B 77/265

See application file for complete search history.

(56) **References Cited**

U.S. PATENT DOCUMENTS

D195,879	S	*	8/1963	Klepa	.....	D8/308
D204,088	S	*	3/1966	Adler	.....	D8/302
D262,601	S	*	1/1982	Peppard	.....	D8/302
D264,932	S	*	6/1982	Miller	.....	D8/302
D319,963	S	*	9/1991	Britz	.....	D8/308
D665,880	S	*	8/2012	Flowers	.....	D23/252
D674,056	S	*	1/2013	Lord	.....	D23/252
D718,839	S	*	12/2014	Garland	.....	D23/252
D797,249	S	*	9/2017	Downey	.....	D23/252
2012/0073084	A1	*	3/2012	Lin	.....	E05B 3/00 16/412
2012/0104772	A1	*	5/2012	Lopes	.....	E05B 15/0053 292/202

(Continued)

OTHER PUBLICATIONS

“5485V Soho Lever”; Baldwin; disclosure date unknown but prior to filing date of current application; <URL: <http://www.baldwinhardware.com/products/details/door-hardware/levers/soho-lever-5485v-264>>.

(Continued)

*Primary Examiner* — Lauren R Calve

(74) *Attorney, Agent, or Firm* — Banner & Witcoff, Ltd.

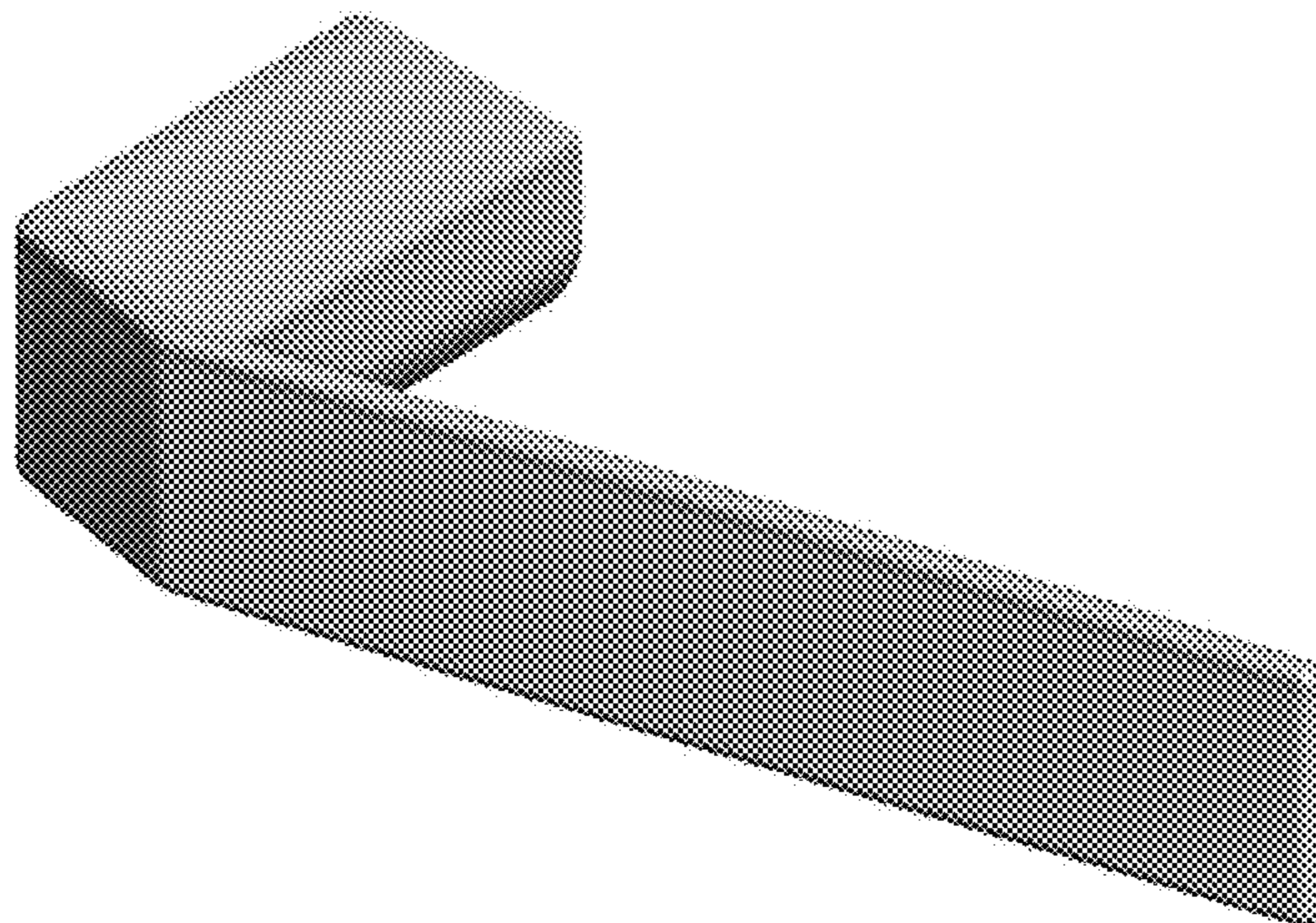
(57) **CLAIM**

The ornamental design for a handle, as shown and described.

**DESCRIPTION**

FIG. 1 is a right front perspective view of a handle showing my new design;  
FIG. 2 is a left front perspective view thereof;  
FIG. 3 is a front perspective view thereof;  
FIG. 4 is a right side view thereof;  
FIG. 5 is a left side view thereof;  
FIG. 6 is a top view thereof; and,  
FIG. 7 is a bottom view thereof.

**1 Claim, 7 Drawing Sheets**



(56)

**References Cited**

U.S. PATENT DOCUMENTS

2016/0145895 A1\* 5/2016 Kankkunen ..... E05B 17/10  
70/432

OTHER PUBLICATIONS

“BAI 3018 Passage / Privacy Modern Door Lever / Handle Set / Free Shipping”; Amazon; disclosure date Oct. 8, 2014; <URL: [https://www.amazon.com/3018-Passage-Privacy-Modern-Shipping/dp/B00OACC570/ref=pd\\_lpo\\_vtph\\_60\\_tr\\_t\\_3?\\_encoding=UTF8&psc=1&refRID=MEY2G2JSYMMV74BDKS33](https://www.amazon.com/3018-Passage-Privacy-Modern-Shipping/dp/B00OACC570/ref=pd_lpo_vtph_60_tr_t_3?_encoding=UTF8&psc=1&refRID=MEY2G2JSYMMV74BDKS33)>.

“L025 Estate Lever”; Baldwin; disclosure date unknown but prior to filing date of present application; <URL: <http://www.baldwinhardware.com/products/details/door-hardware/levers/l025-estate-lever-l025-264>>.

\* cited by examiner

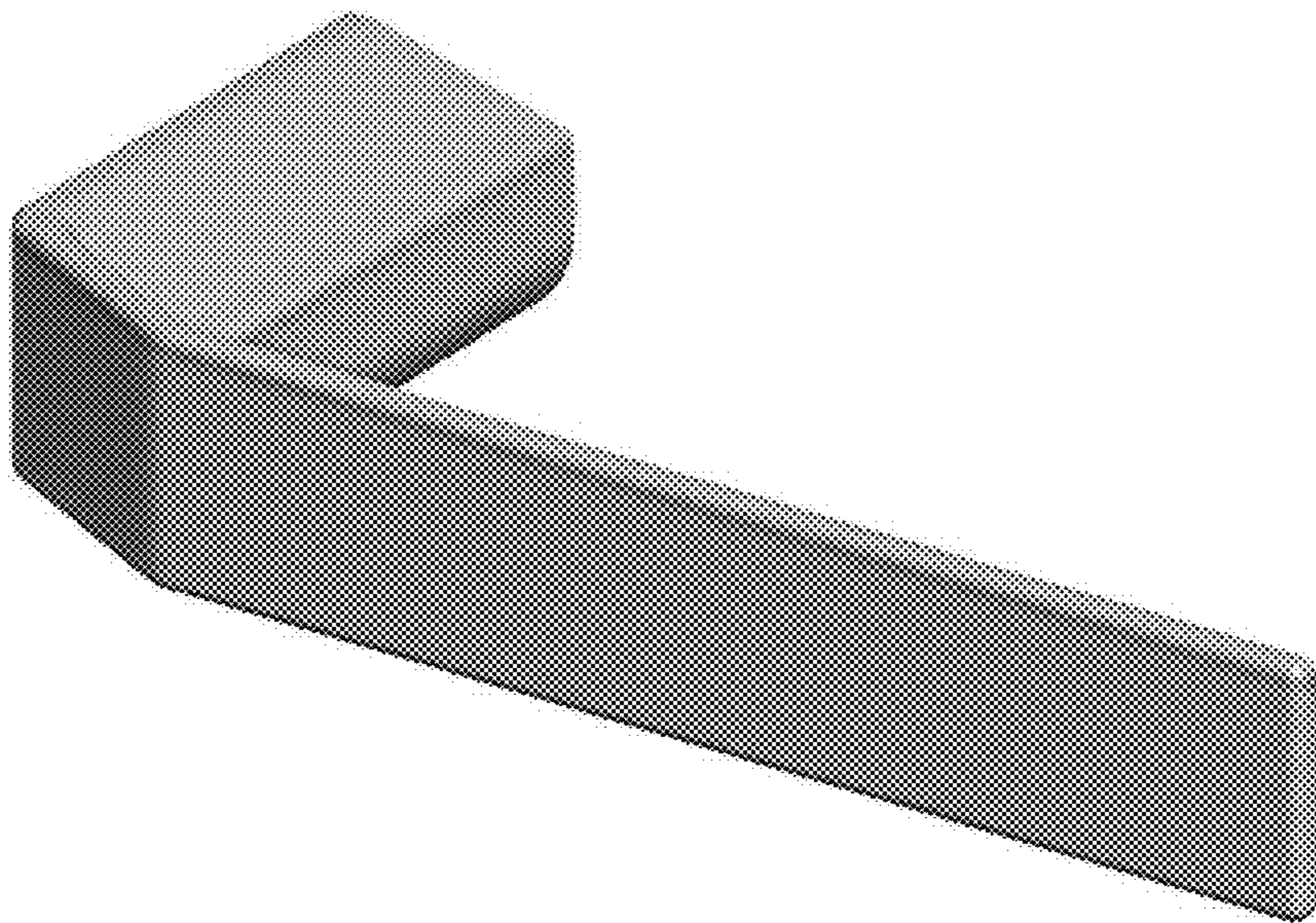


FIG. 1

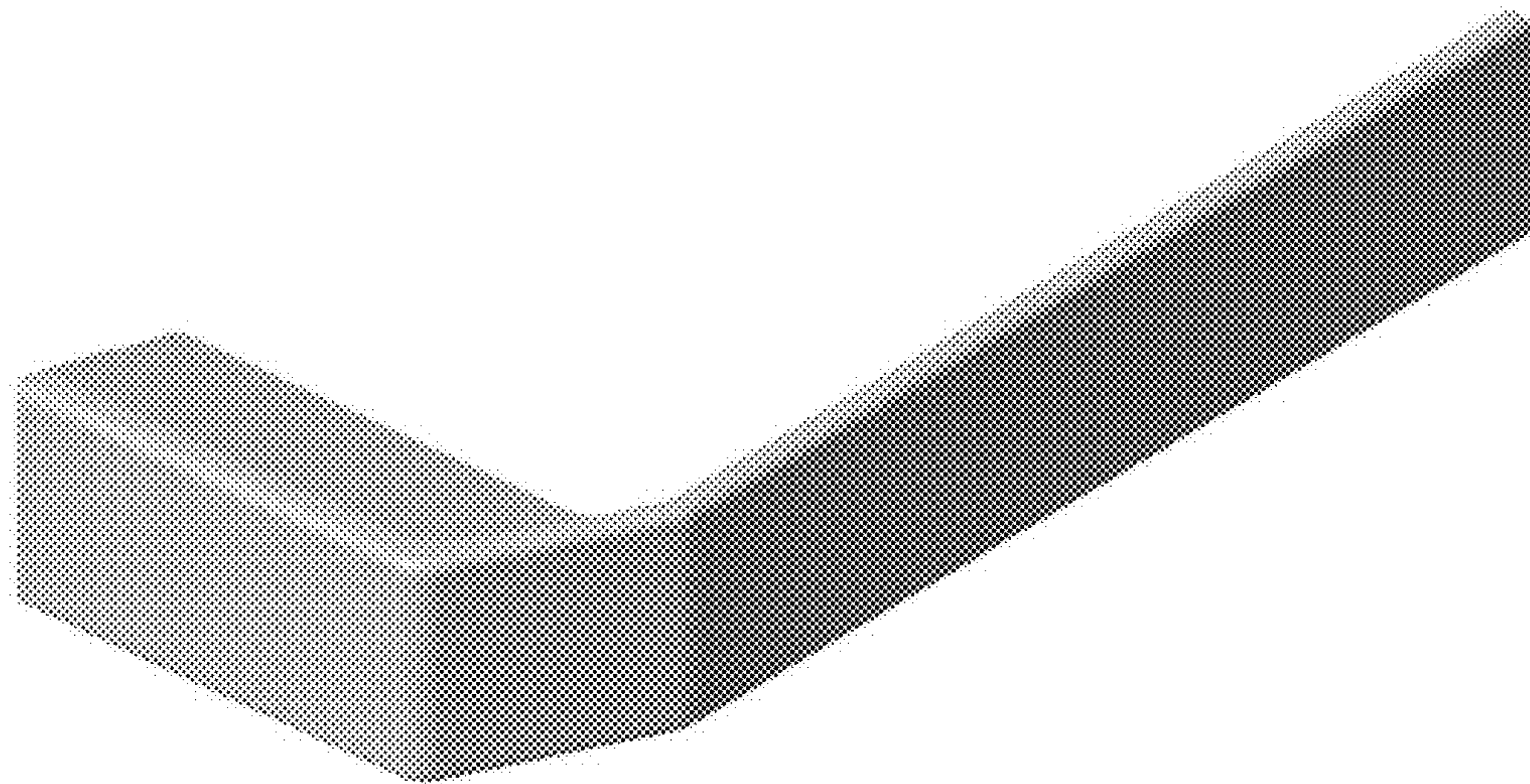


FIG. 2



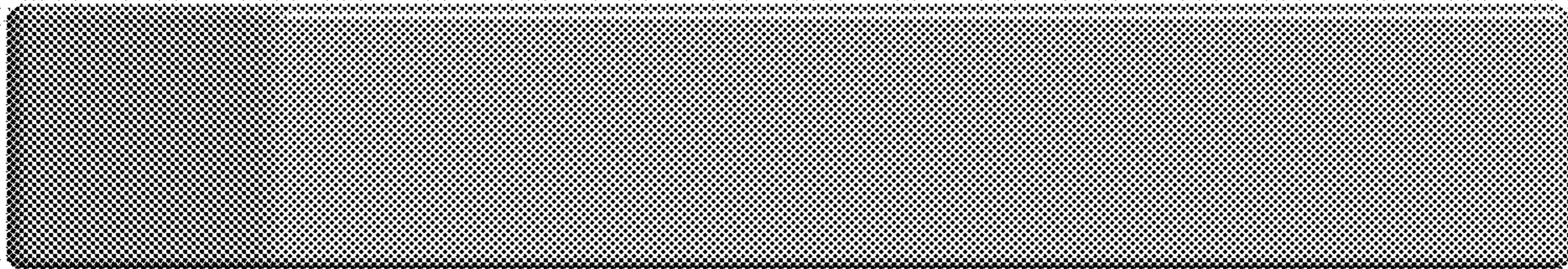


FIG. 3

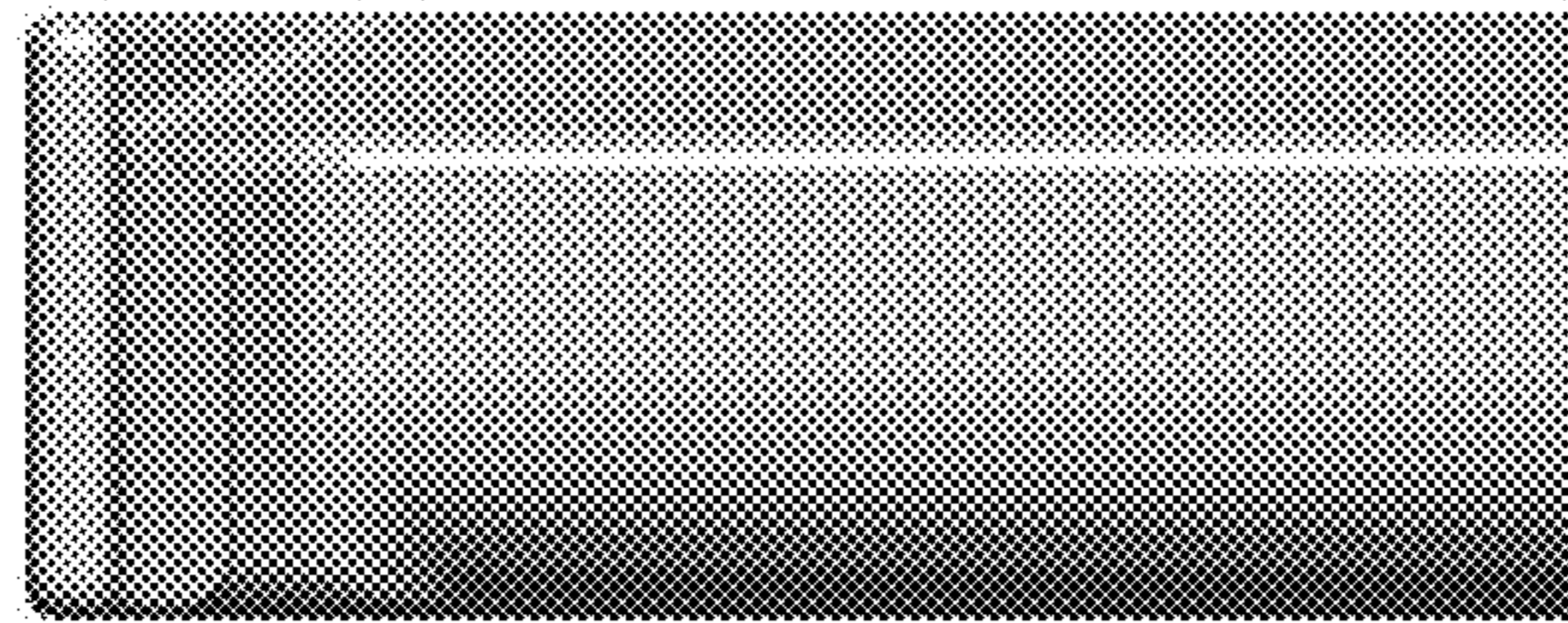
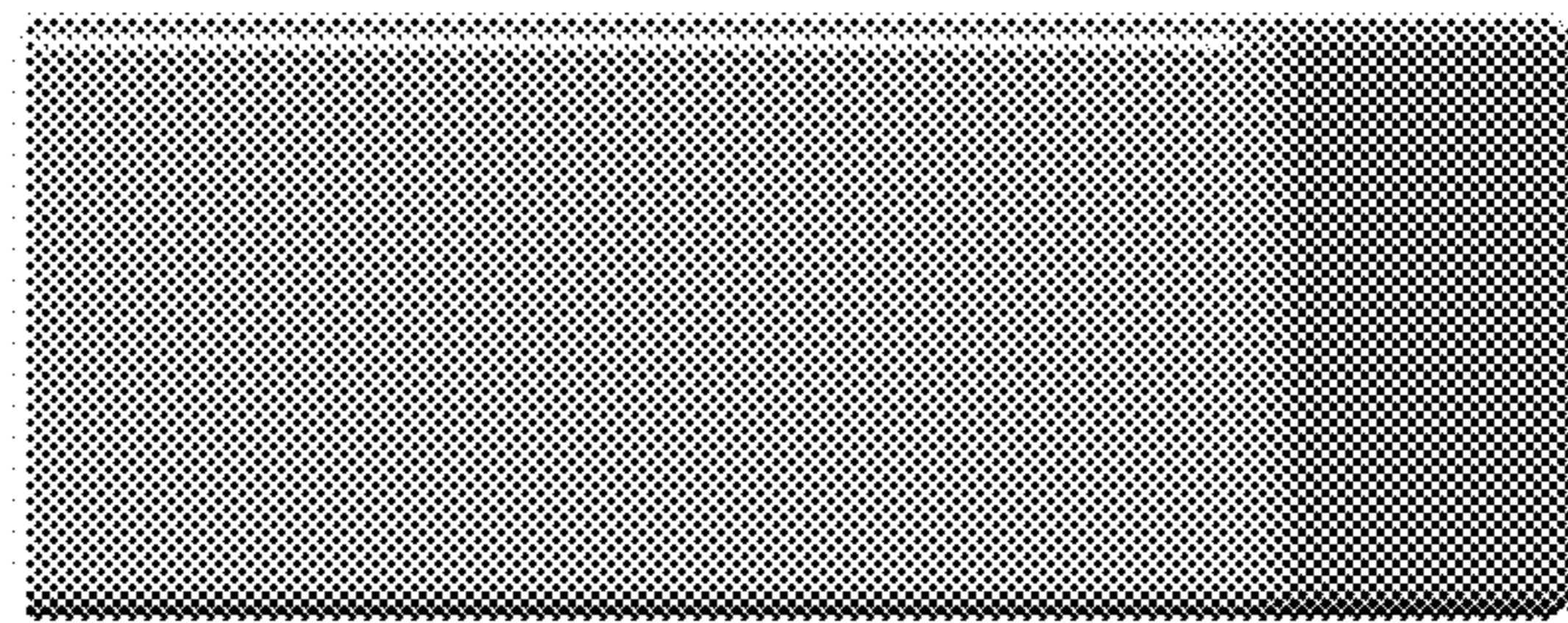


FIG. 4



**FIG. 5**



FIG. 6





FIG. 7