



US00D811192S

(12) **United States Design Patent** (10) **Patent No.:** **US D811,192 S**  
**Gehrung** (45) **Date of Patent:** **\*\* Feb. 27, 2018**

(54) **MULTI-PURPOSE TOOL**

(71) Applicant: **SATA GmbH & Co. KG**,  
Kornwestheim (DE)  
(72) Inventor: **Ralf Gehrung**, Stuttgart (DE)  
(73) Assignee: **SATA GmbH & Co. KG**,  
Kornwestheim (DE)  
(\*\*) Term: **15 Years**

(21) Appl. No.: **29/582,754**

(22) Filed: **Oct. 31, 2016**

**Related U.S. Application Data**

(62) Division of application No. 29/518,570, filed on Feb. 25, 2015, now Pat. No. Des. 770,261.

(30) **Foreign Application Priority Data**

Aug. 26, 2014 (CN) ..... 2014 3 0308577

(51) **LOC (11) Cl.** ..... **08-05**

(52) **U.S. Cl.**  
USPC ..... **D8/105; D8/21**

(58) **Field of Classification Search**  
USPC ..... D8/16-21, 33, 40, 89, 105, 26, 85, 87;  
D3/208, 210, 211  
CPC . B25F 1/00; F41B 11/00; B05B 15/00; B05B  
15/025; B05B 15/02; B25B 33/00  
See application file for complete search history.

(56) **References Cited**

U.S. PATENT DOCUMENTS

D547,624	S	*	7/2007	Strahorn	.....	D8/21
D552,949	S	*	10/2007	Strahorn	.....	D8/21
D586,634	S	*	2/2009	Lai	.....	D8/21
D613,139	S	*	4/2010	Lai	.....	D8/21
D664,408	S	*	7/2012	Mitchell	.....	D8/21
8,393,252	B2	*	3/2013	Hsieh	.....	B25B 13/461 81/436
D738,183	S	*	9/2015	Burson	.....	D8/105
2007/0235015	A1	*	10/2007	Pravata	.....	F41B 11/00 124/71

\* cited by examiner

*Primary Examiner* — Janice Hallmark

(74) *Attorney, Agent, or Firm* — Paul D. Bianco; Lourdes Perez; Fleit Gibbons Gutman Bongini & Bianco PL

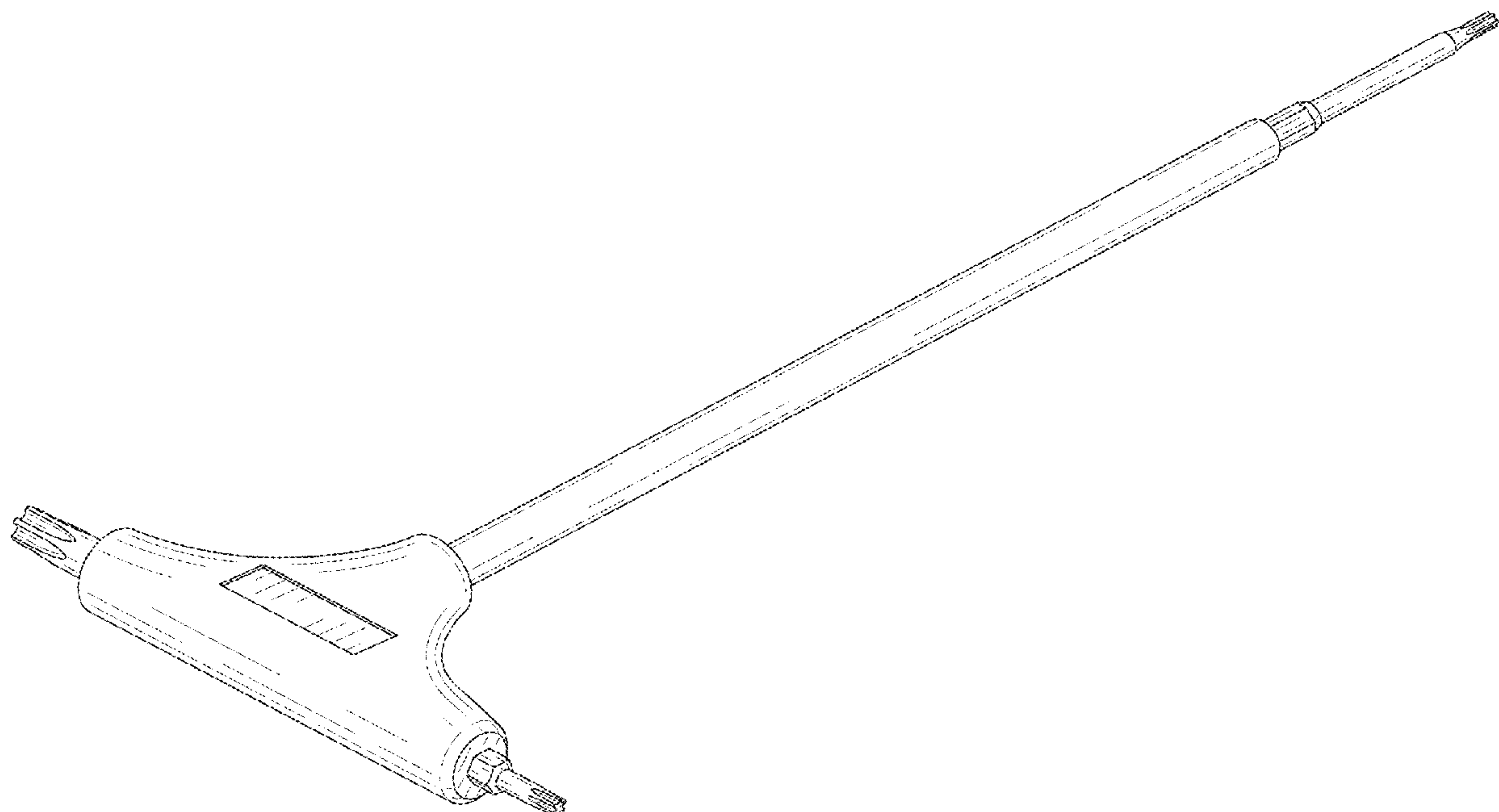
(57) **CLAIM**

The ornamental design for a multi-purpose tool, as shown and described.

**DESCRIPTION**

FIG. 1 is a first perspective view of a multi-purpose tool according to the present invention;  
FIG. 2 is a second perspective view of the multi-purpose tool of FIG. 1;  
FIG. 3 is a front view of the multi-purpose tool of FIG. 1;  
FIG. 4 is a back view of the multi-purpose tool of FIG. 1;  
FIG. 5 is a first side view of the multi-purpose tool of FIG. 1;  
FIG. 6 is a second side view of the multi-purpose tool of FIG. 1;  
FIG. 7 is a top view of the multi-purpose tool of FIG. 1; and,  
FIG. 8 is a bottom view of the multi-purpose tool of FIG. 1.

**1 Claim, 6 Drawing Sheets**



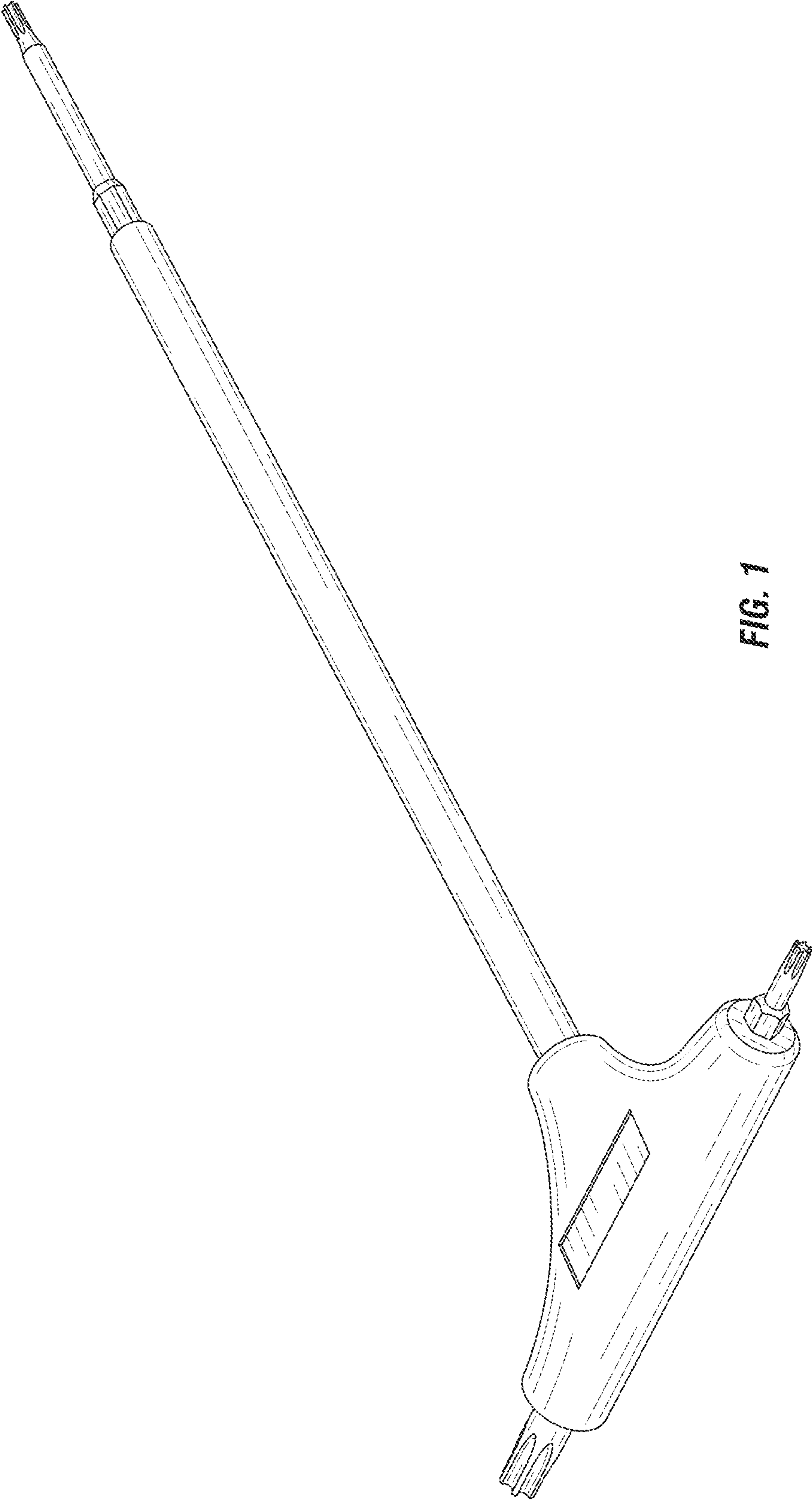


FIG. 1

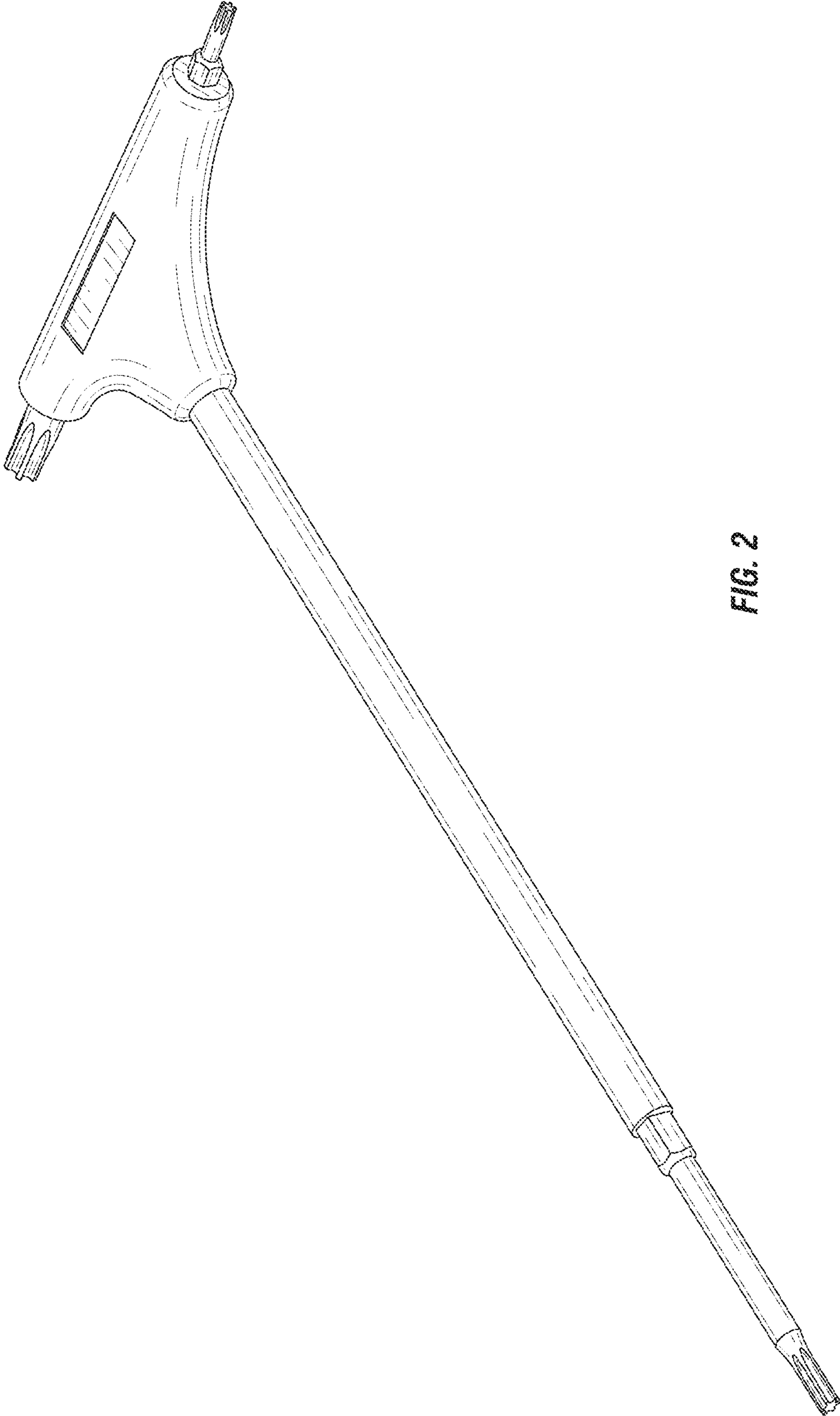


FIG. 2

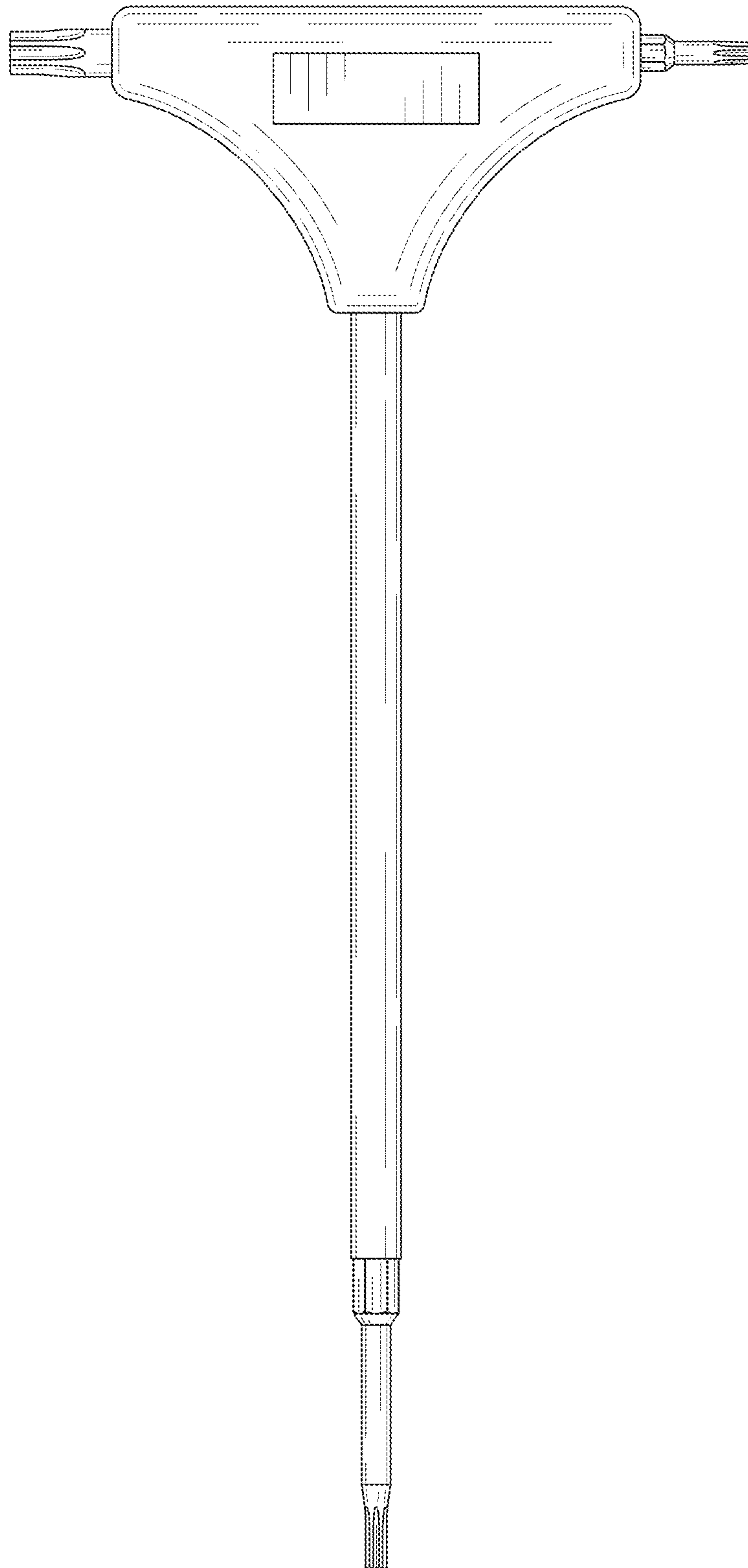


FIG. 3

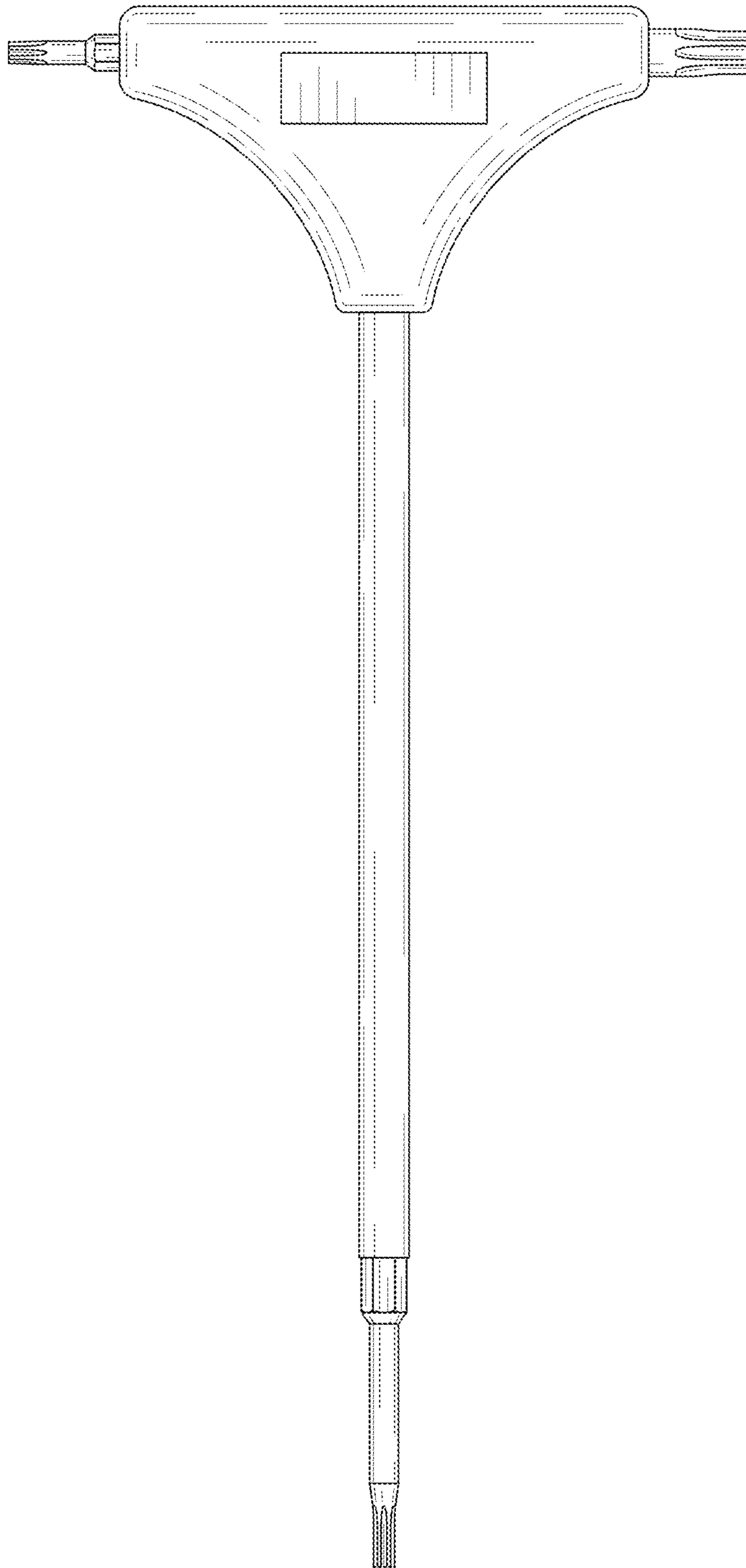
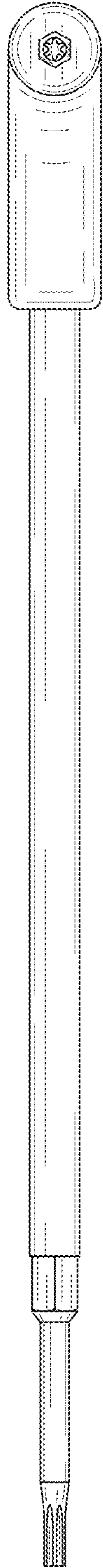
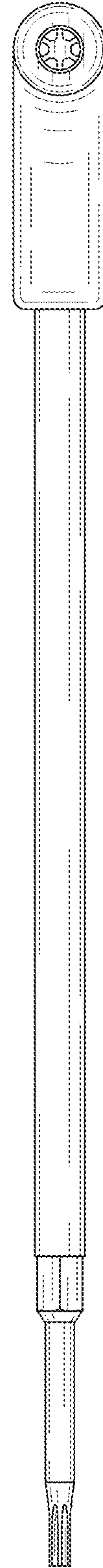


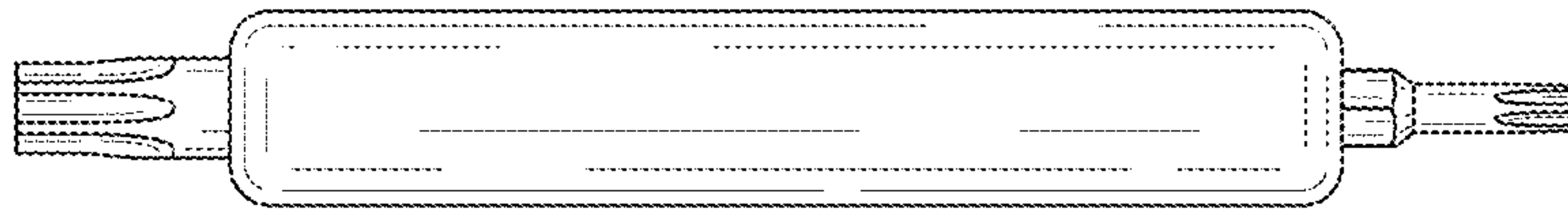
FIG. 4



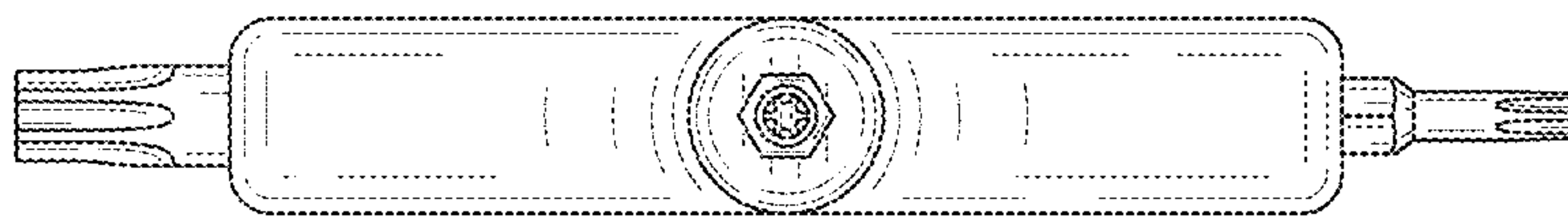
**FIG. 5**



**FIG. 6**



**FIG. 7**



**FIG. 8**