



US00D811190S

(12) **United States Design Patent**
Ou

(10) **Patent No.:** **US D811,190 S**

(45) **Date of Patent:** **** Feb. 27, 2018**

(54) **TOOL GRIP**

(71) Applicant: **Yu-Hua Ou**, Taichung (TW)

(72) Inventor: **Yu-Hua Ou**, Taichung (TW)

(**) Term: **15 Years**

(21) Appl. No.: **29/566,030**

(22) Filed: **May 26, 2016**

(51) **LOC (11) Cl.** **08-04**

(52) **U.S. Cl.**
USPC **D8/83**

(58) **Field of Classification Search**
USPC D8/82, 83, 84, 85, 107, 105, 300, 303;
D24/133; D7/395
CPC B25B 15/02; B25B 15/04; B25B 15/06;
B25B 1/025; B25B 1/085; B25G 1/005;
B25G 1/025; B25G 1/063; B25G 1/105
See application file for complete search history.

(56) **References Cited**

U.S. PATENT DOCUMENTS

D383,660 S * 9/1997 Anderson D8/107
D384,565 S * 10/1997 Lin D8/107
D386,382 S * 11/1997 Shiao D8/107

D419,846 S * 2/2000 Hasan D8/83
D421,888 S * 3/2000 Thompson D8/83
D461,389 S * 8/2002 Hsiao D8/107
D642,887 S * 8/2011 Good D8/83
D671,813 S * 12/2012 Lin D8/83

* cited by examiner

Primary Examiner — Philip S Hyder

(74) *Attorney, Agent, or Firm* — Muncy, Geissler, Olds & Lowe, P.C.

(57) **CLAIM**

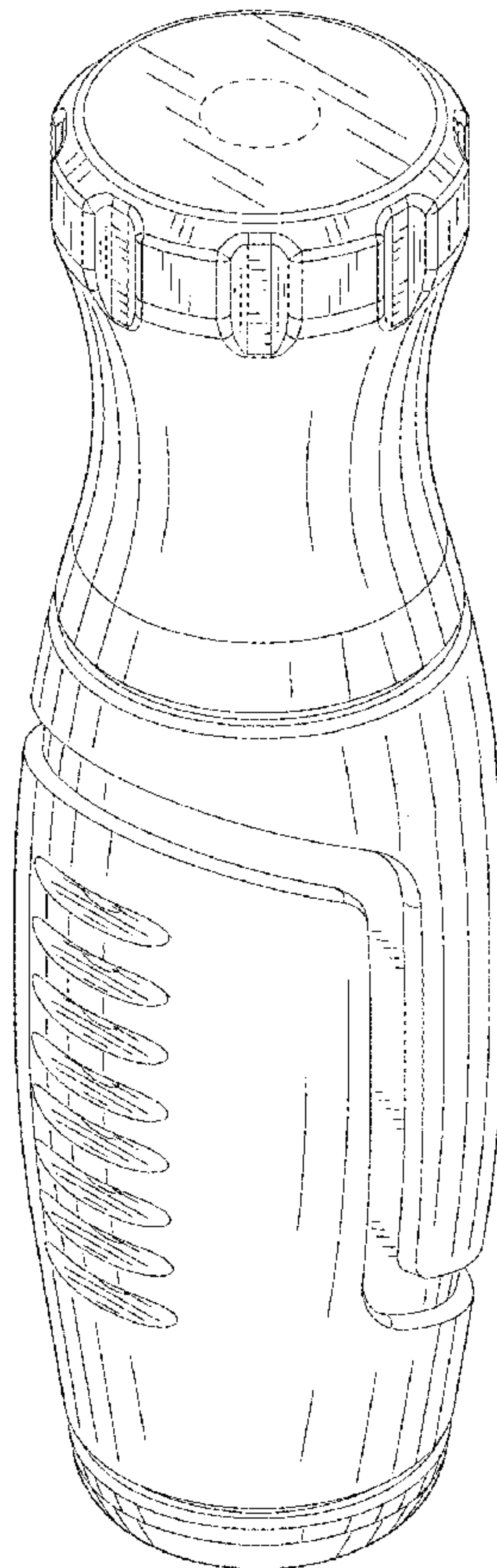
I claim the ornamental design for a tool grip, as shown and described.

DESCRIPTION

FIG. 1 is a right, front, top perspective view of a tool grip showing my new design;
FIG. 2 is a front elevational view thereof;
FIG. 3 is a rear elevational view thereof;
FIG. 4 is a left side view thereof;
FIG. 5 is a right side view thereof;
FIG. 6 is a top plan view thereof;
FIG. 7 is a bottom plan view thereof;
FIG. 8 is a right, rear, bottom perspective view thereof; and,
FIG. 9 is a cross-sectional view of the tool grip, taken along line 9-9 in FIG. 2.

The broken lines in the drawings illustrate portions of the tool grip which form no part of the claimed design.

1 Claim, 8 Drawing Sheets



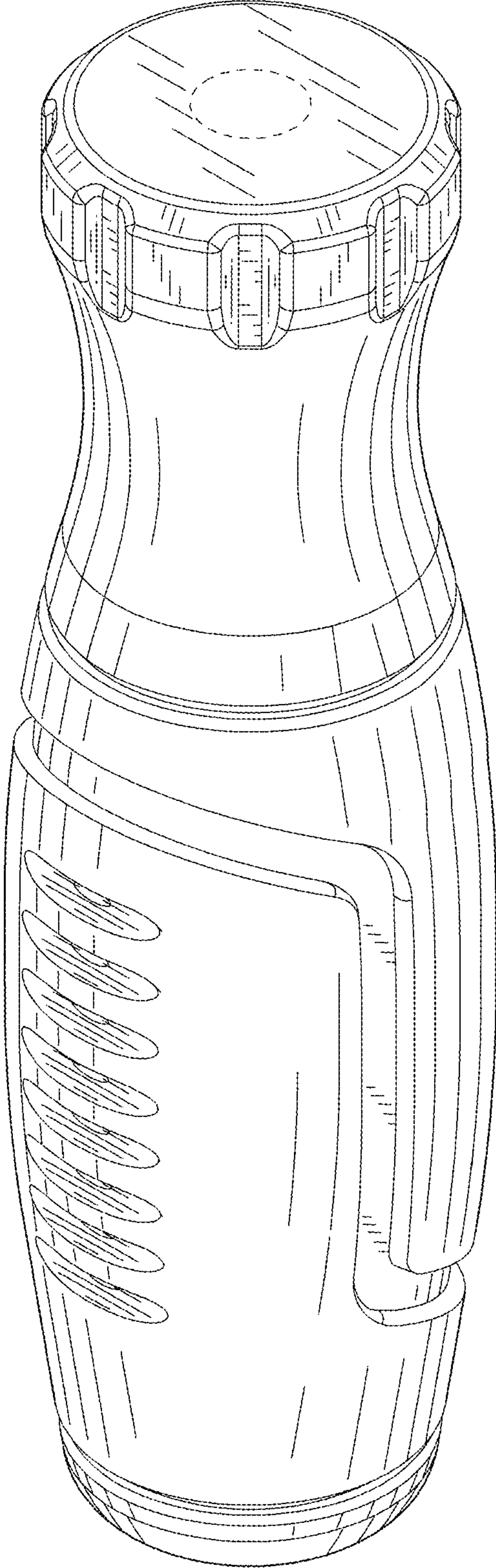
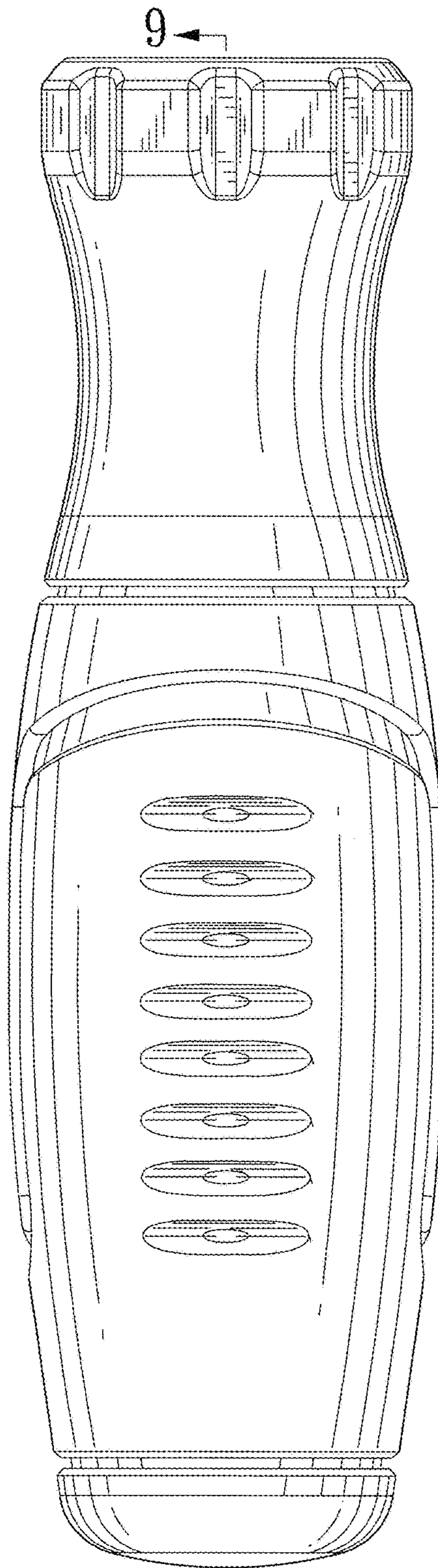


FIG. 1



9
FIG. 2

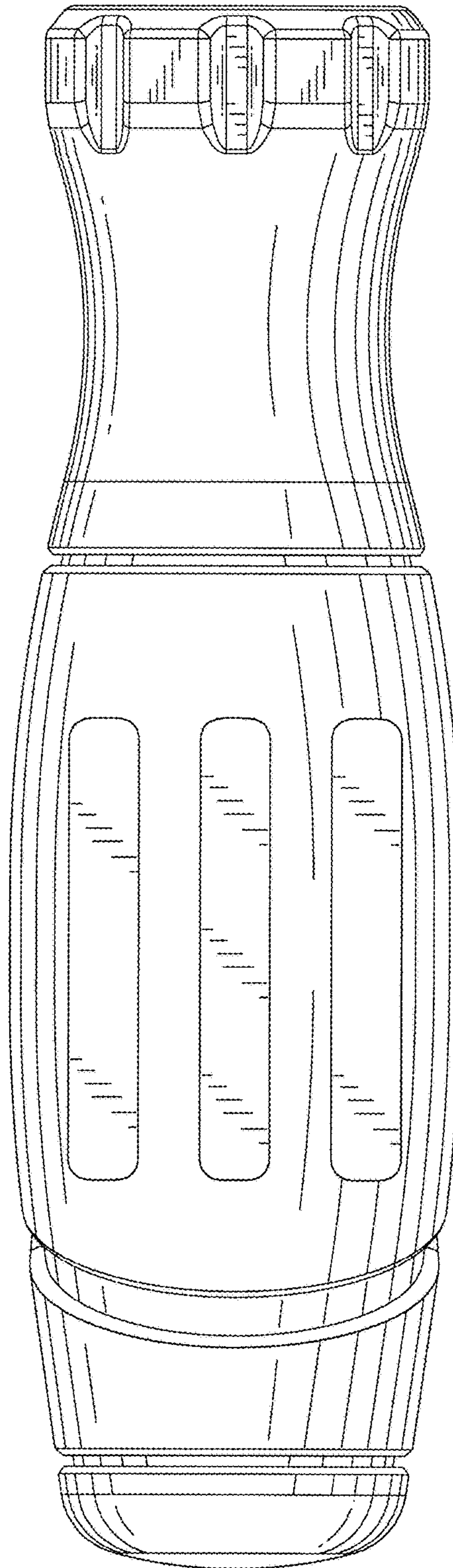


FIG. 3

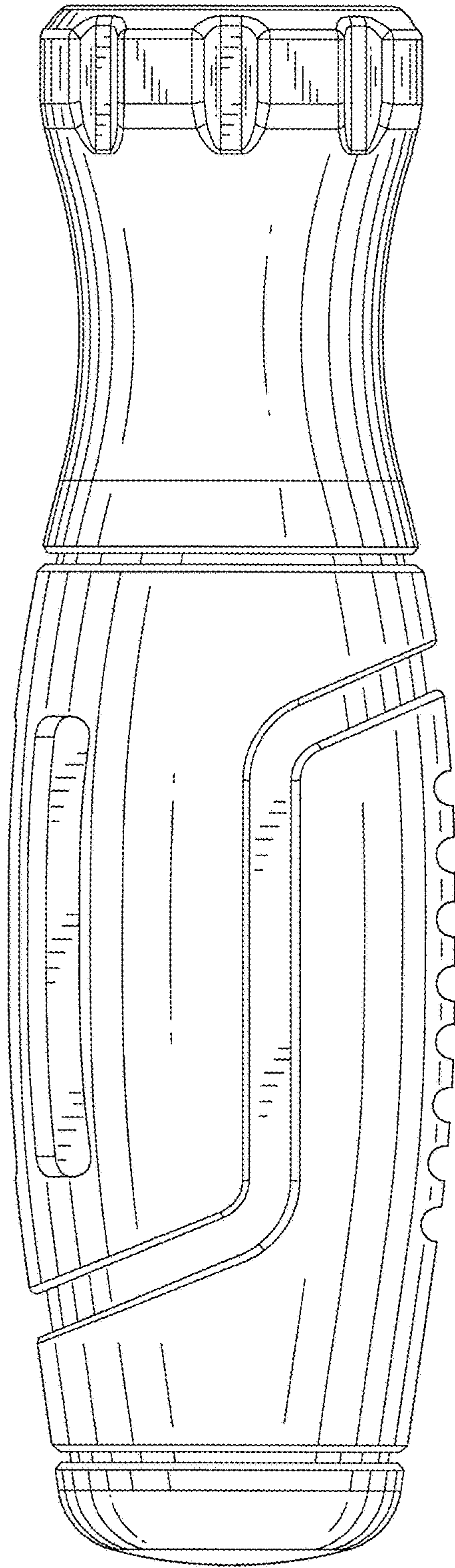


FIG. 4

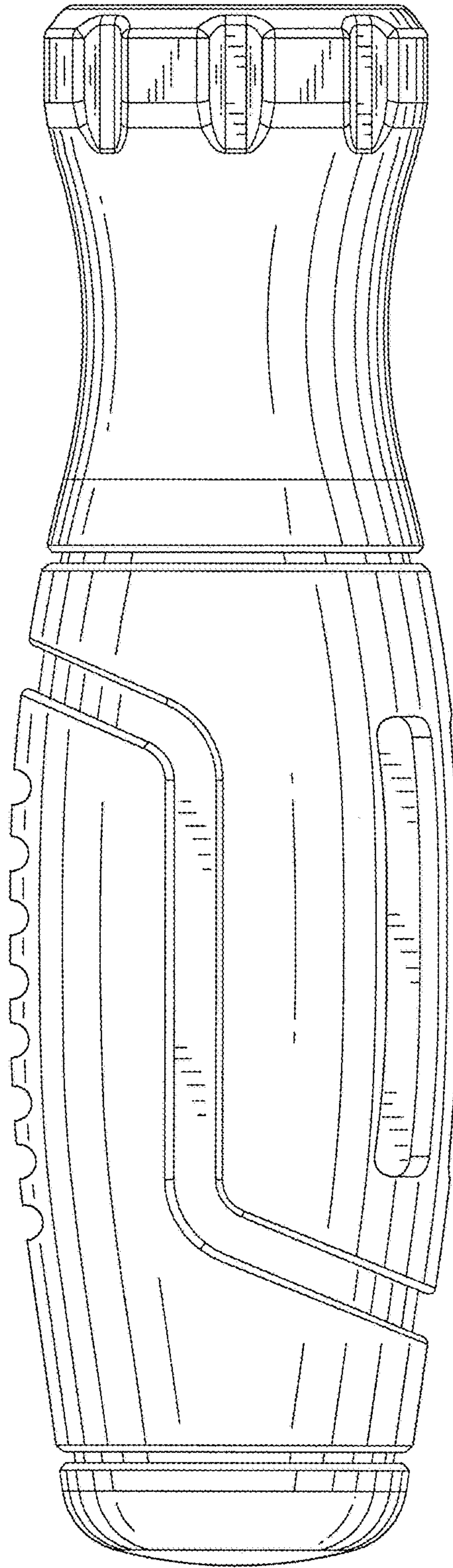


FIG. 5

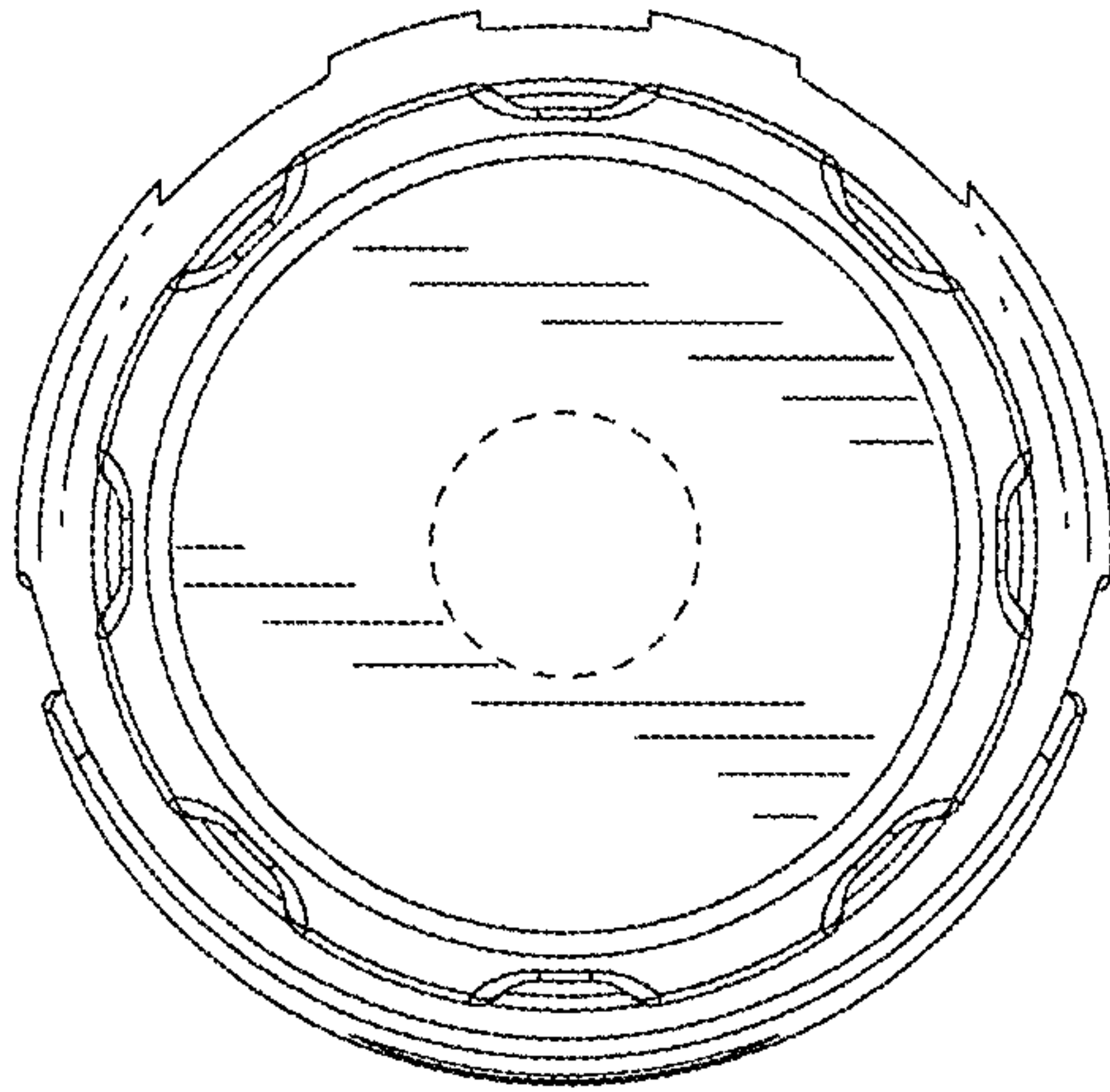


FIG. 6

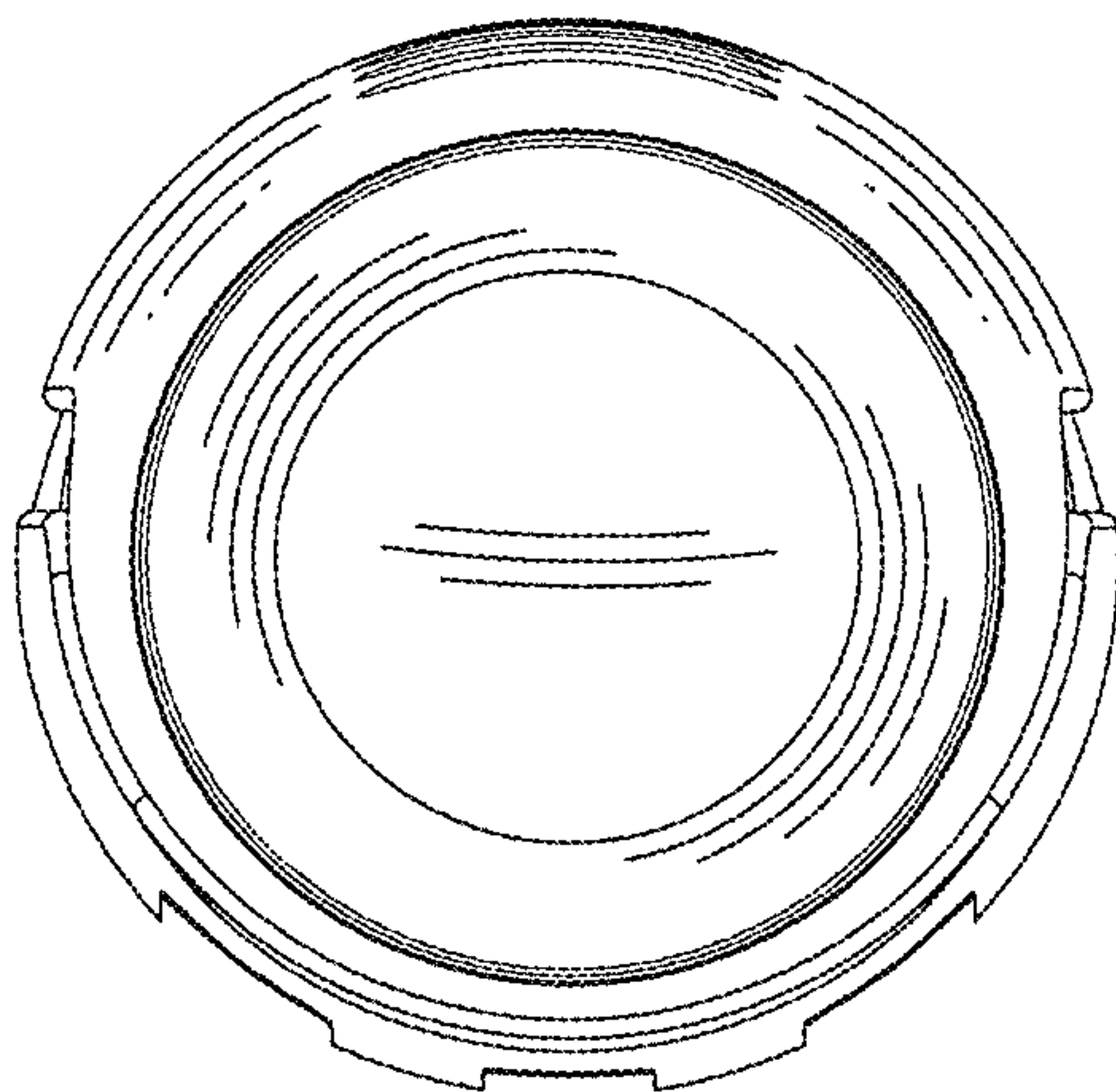


FIG. 7

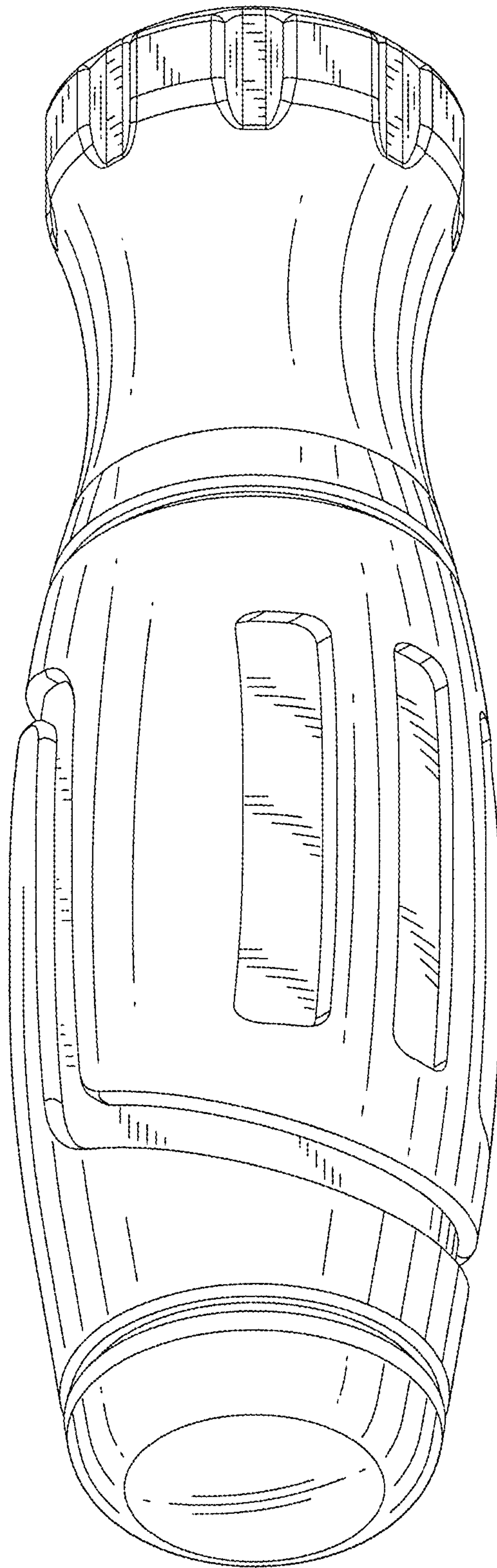


FIG. 8

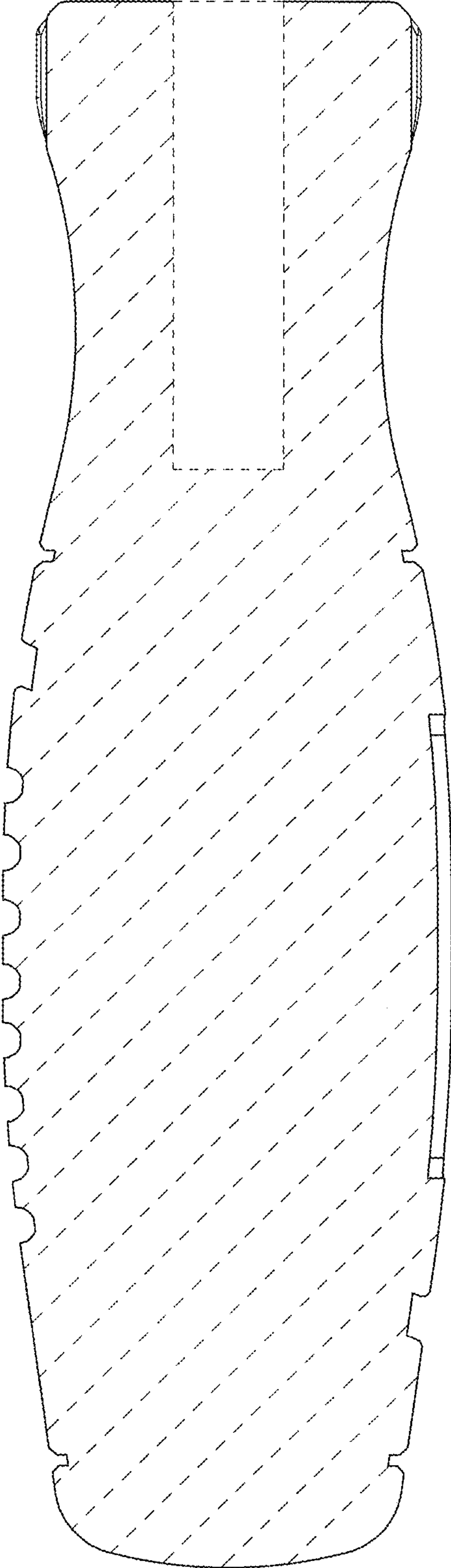


FIG. 9