

US00D811189S

(12) **United States Design Patent** (10) **Patent No.:** **US D811,189 S**  
**Zimmerman et al.** (45) **Date of Patent:** **\*\* Feb. 27, 2018**

(54) **GRIPPER** D422,868 S \* 4/2000 Lavigne ..... D8/74  
6,048,013 A 4/2000 Moilanen et al.  
(71) Applicant: **Delaware Capital Formation, Inc.**, 6,176,533 B1 1/2001 Moilanen et al.  
Wilmington, DE (US) 6,227,586 B1 5/2001 Moilanen et al.  
6,272,951 B1 \* 8/2001 Lambson ..... E04B 1/2612  
269/3  
(72) Inventors: **Anthony B. Zimmerman**, Shelby 6,273,408 B1 8/2001 Moilanen et al.  
Township, MI (US); **Joshua Moses**, 6,425,616 B2 7/2002 Moilanen et al.  
Charlevoix, MI (US); **Robert W.** 6,530,615 B2 3/2003 Filipiak et al.  
**McArthur**, Charlevoix, MI (US) 6,557,916 B2 5/2003 Moilanen et al.  
6,575,512 B2 6/2003 Moilanen et al.  
(73) Assignee: **Delaware Capital Formation, Inc.**, 6,588,816 B1 7/2003 Moilanen et al.  
Wilmington, DE (US) 7,032,944 B2 4/2006 Moilanen et al.  
7,172,230 B2 2/2007 Maffeis  
7,396,059 B2 7/2008 Maffeis  
(\*\*) Term: **15 Years** (Continued)

(21) Appl. No.: **29/539,468**

**FOREIGN PATENT DOCUMENTS**

(22) Filed: **Sep. 15, 2015**  
(51) **LOC (11) Cl.** ..... **08-05**  
(52) **U.S. Cl.**  
USPC ..... **D8/72**  
(58) **Field of Classification Search**  
USPC ..... D8/71-74, 394-399, 59; 248/63, 72,  
248/74.1, 689, 124.2; 81/487, 385, 386,  
81/388-390; 269/3, 4, 6, 143, 165, 240,  
269/243, 246-249, 254 R, 147-149;  
29/256, 257, 276; 408/103, 104-109  
CPC ..... B25B 1/00; B25B 5/00  
See application file for complete search history.

DE 202004017445 1/2005  
DE 10324272 3/2005  
(Continued)

*Primary Examiner* — David G Muller  
(74) *Attorney, Agent, or Firm* — Harness, Dickey & Pierce, P.L.C.

(57) **CLAIM**

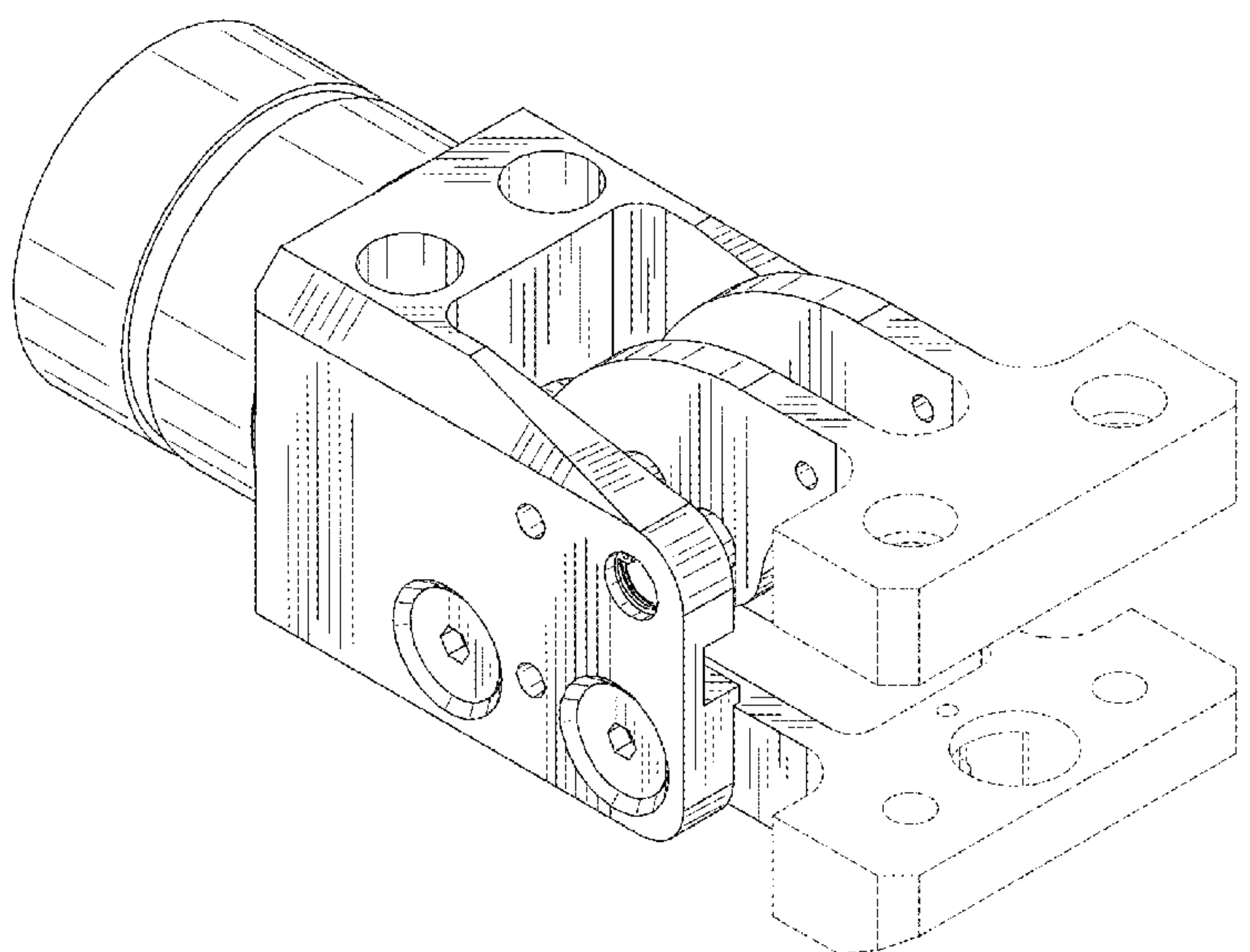
The ornamental design for a gripper, as shown and described.

**DESCRIPTION**

FIG. 1 is a perspective view of a gripper.  
FIG. 2 is a left side elevation view of FIG. 1.  
FIG. 3 is a top plan view of FIG. 1.  
FIG. 4 is a front elevation view of FIG. 1.  
FIG. 5 is a rear elevation view of FIG. 1.  
FIG. 6 is a right side elevation view of FIG. 1.  
FIG. 7 is a bottom plan view of FIG. 1; and,  
FIG. 8 is a perspective view of the gripper with the open jaws.

(56) **References Cited**  
**U.S. PATENT DOCUMENTS**  
4,607,873 A 8/1986 Nusbaumer et al.  
D318,282 S \* 7/1991 Kern ..... D15/138  
5,284,375 A 2/1994 Land, III  
5,676,357 A \* 10/1997 Horn ..... B25B 5/16  
269/201  
5,853,211 A 12/1998 Sawdon et al.  
5,871,250 A 2/1999 Sawdon  
5,938,259 A 8/1999 Sawdon et al.  
5,941,513 A 8/1999 Moilanen et al.

**1 Claim, 4 Drawing Sheets**



(56)

References Cited

U.S. PATENT DOCUMENTS

D588,431 S \* 3/2009 Fukano ..... D8/72  
 7,845,698 B2 12/2010 Jenkins et al.  
 7,976,087 B2 7/2011 Maffeis  
 8,104,810 B2 1/2012 Holcomb et al.  
 8,167,346 B2 5/2012 Filipiak  
 8,241,093 B2 \* 8/2012 Piguat ..... B24B 3/247  
 269/243  
 8,246,027 B2 \* 8/2012 Li ..... B25J 15/026  
 269/225  
 8,328,258 B2 \* 12/2012 Kjol ..... B66C 1/58  
 294/106  
 D682,653 S \* 5/2013 Coope ..... D8/74  
 8,454,069 B2 6/2013 Jenkins et al.  
 8,474,893 B2 \* 7/2013 Kawanami ..... B25J 15/0213  
 294/106  
 8,672,379 B2 \* 3/2014 Sato ..... B25J 15/022  
 294/106

8,894,114 B2 \* 11/2014 Fahldieck ..... B65G 47/847  
 198/407  
 9,132,515 B2 \* 9/2015 Spillane ..... B23K 37/0408  
 2001/0006295 A1 7/2001 Moilanen et al.  
 2002/0093211 A1 7/2002 Filipiak et al.  
 2003/0038492 A1 2/2003 Kruger  
 2008/0073922 A1 3/2008 Holtz  
 2008/0237957 A1 10/2008 Waldorf  
 2009/0108513 A1 4/2009 Hara et al.

FOREIGN PATENT DOCUMENTS

DE 10338061 3/2005  
 DE 102004025781 7/2005  
 DE 102004058994 6/2006  
 DE 102012003918 8/2013  
 JP 2002-151889 5/2002  
 WO WO2014-023286 2/2014

\* cited by examiner

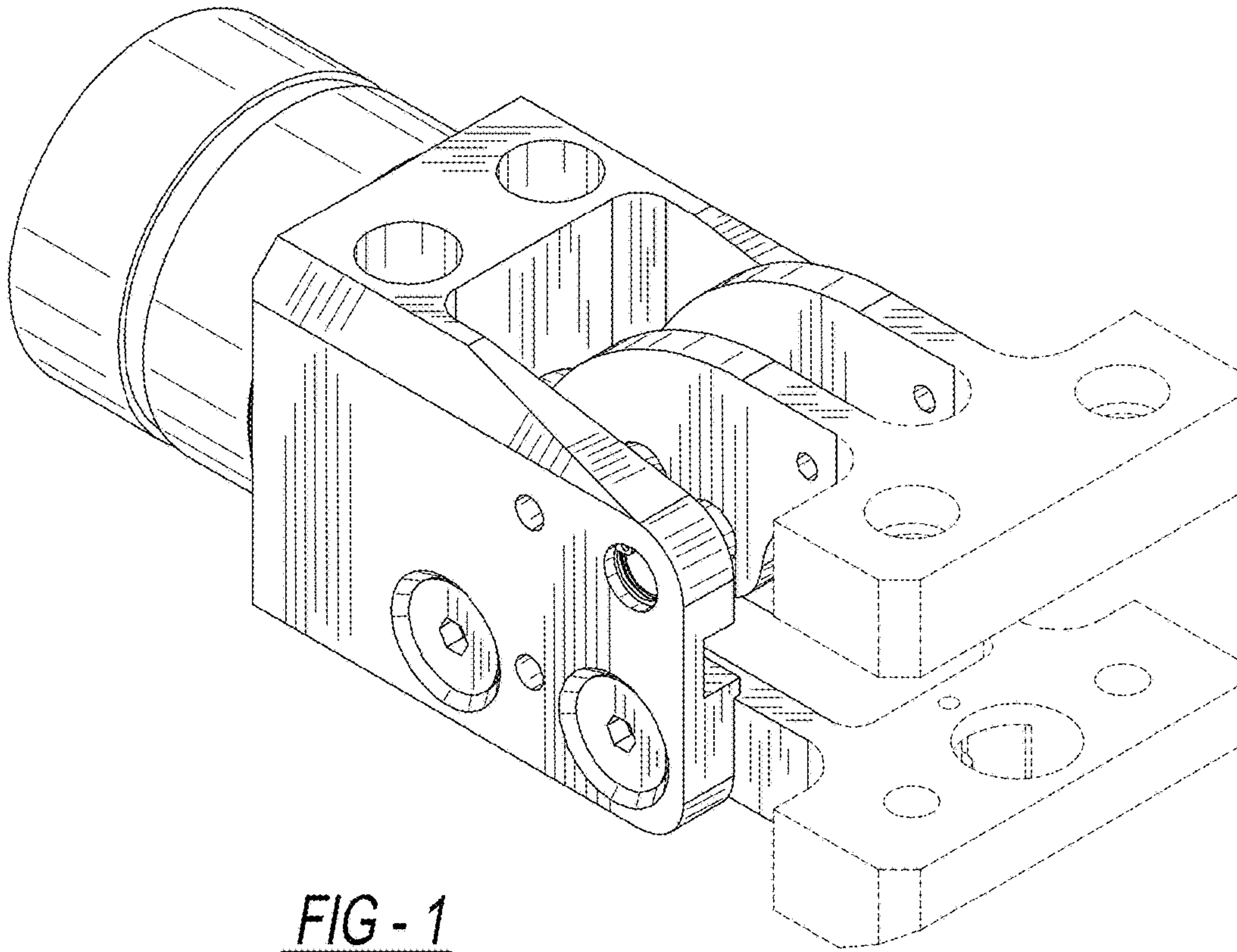


FIG - 1

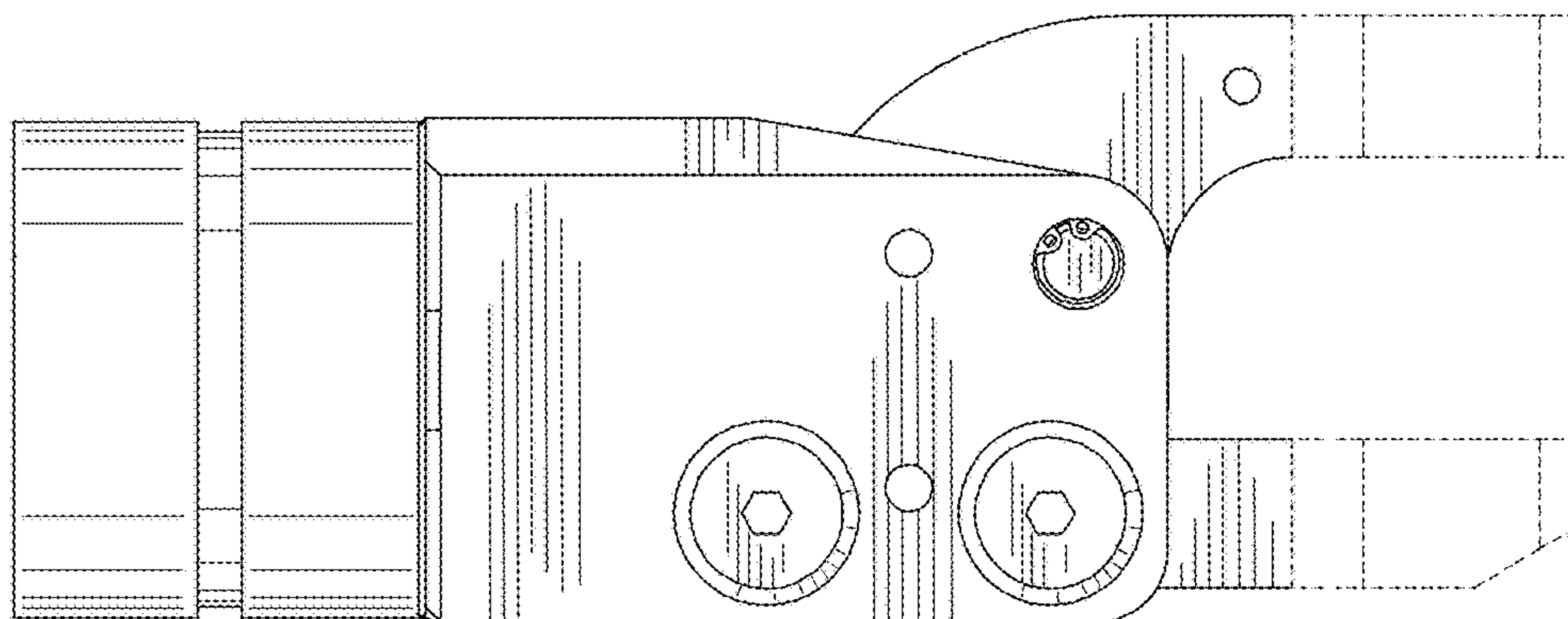


FIG - 2



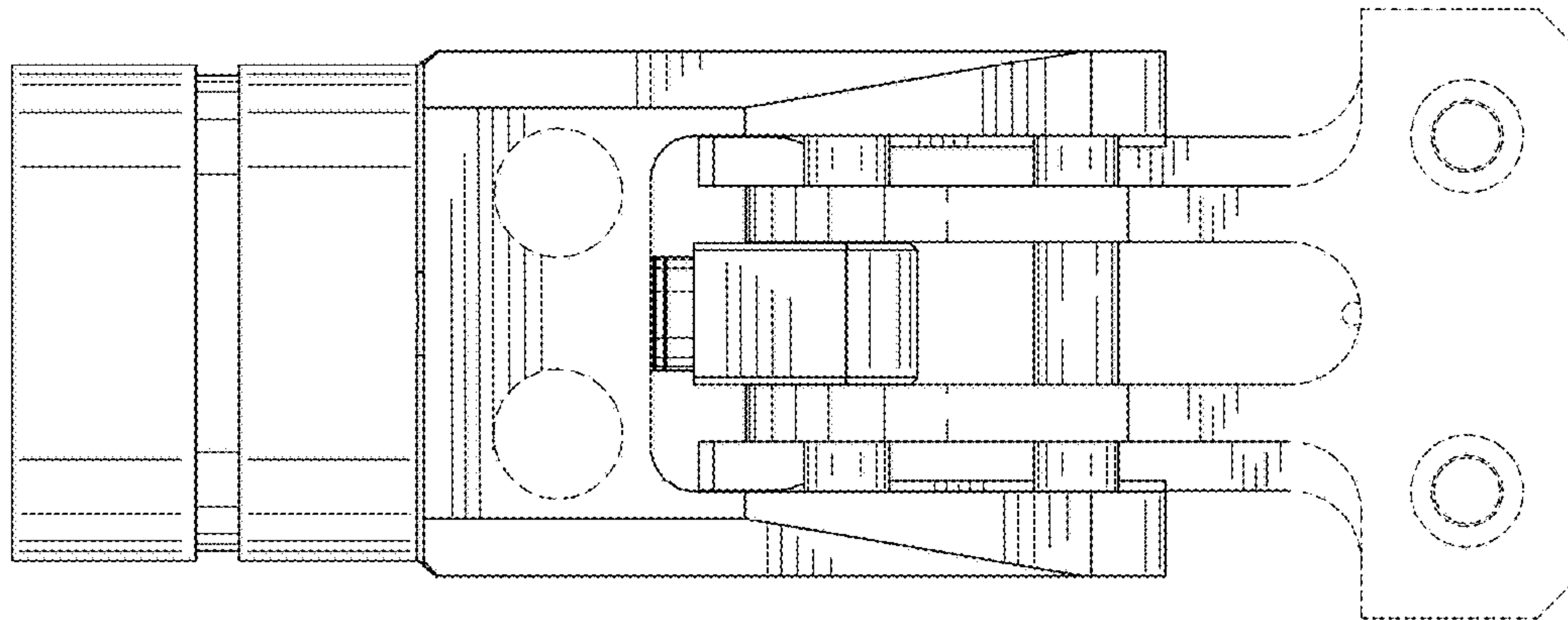


FIG - 3

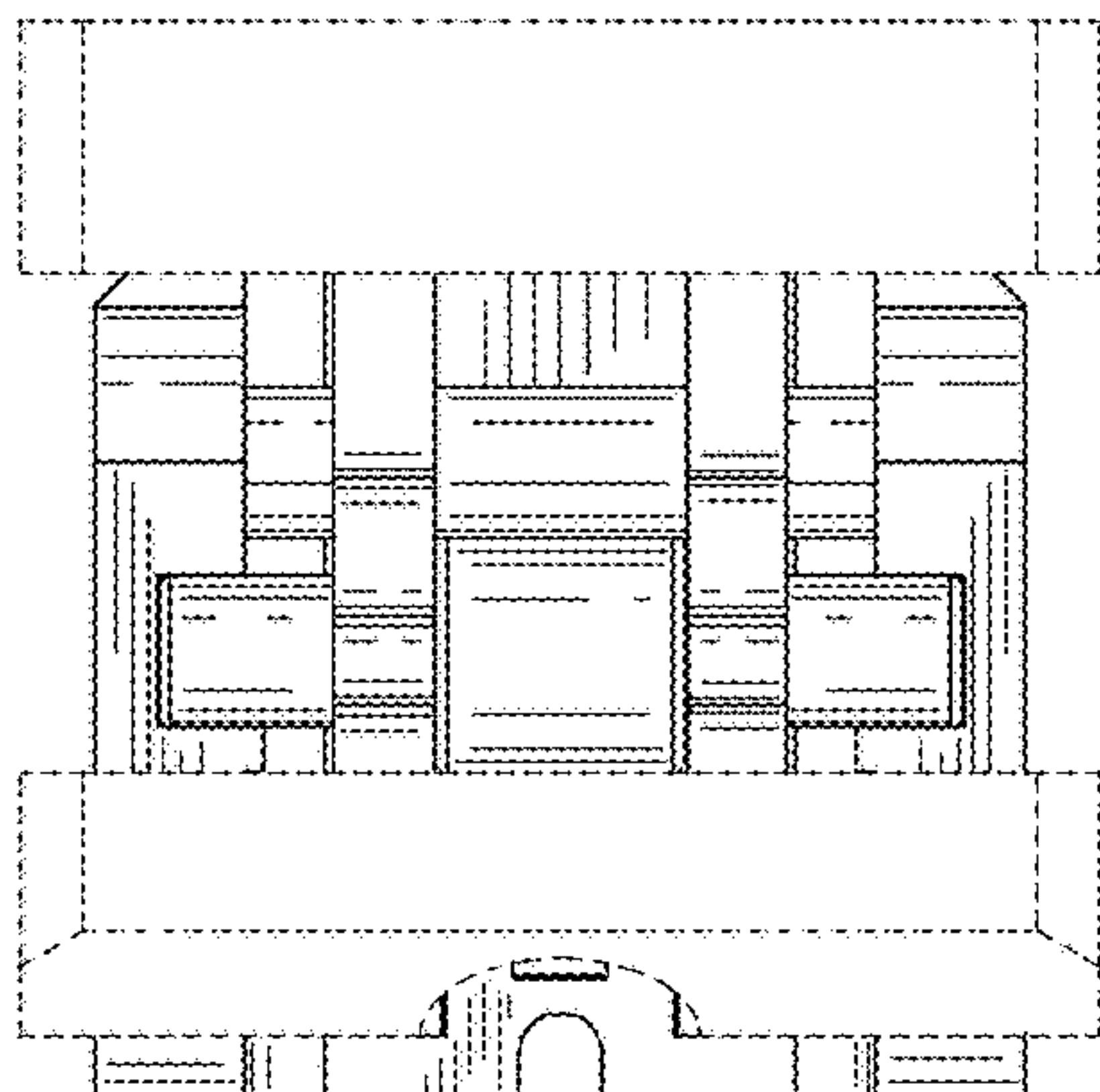


FIG - 4

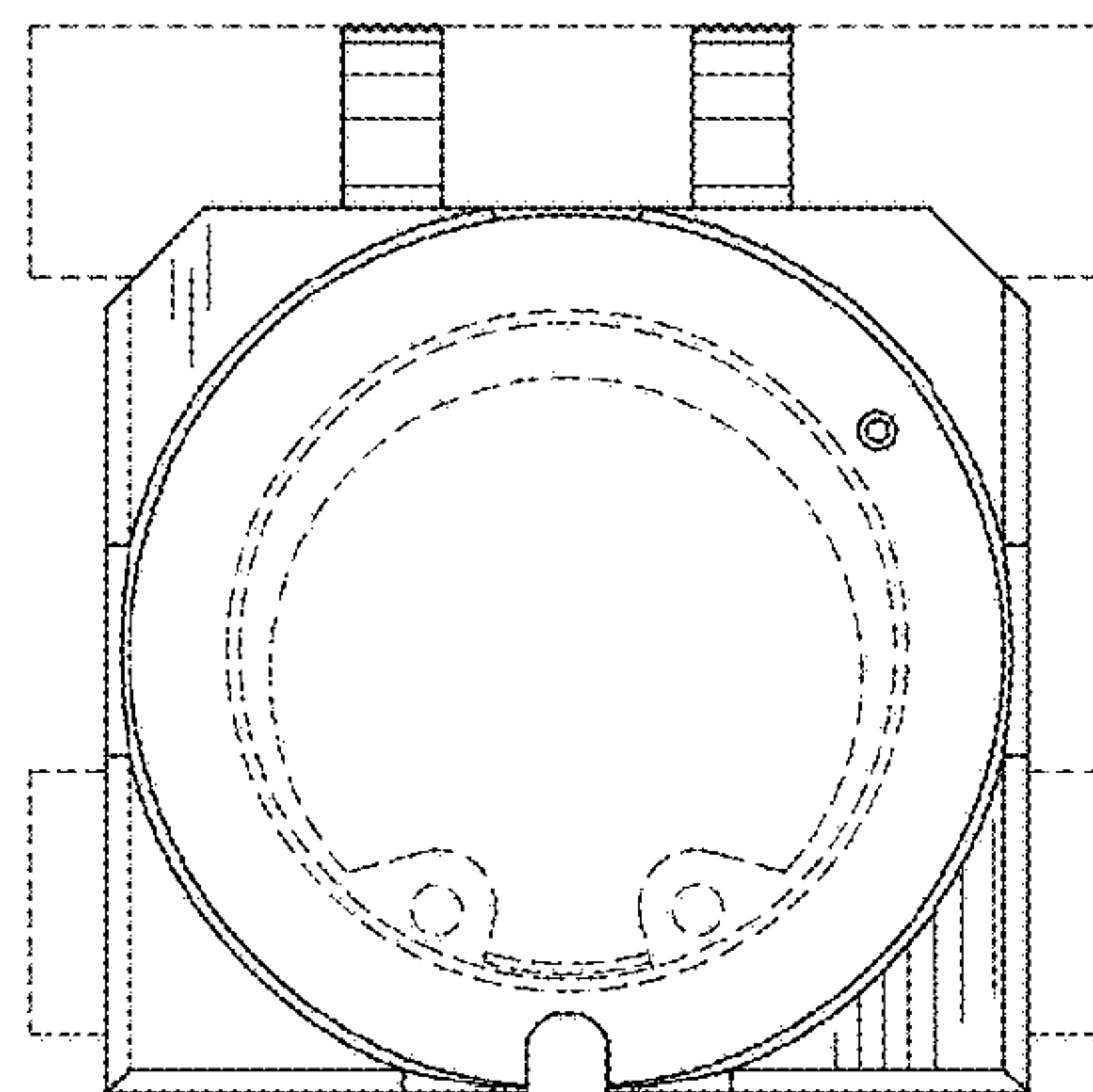


FIG - 5

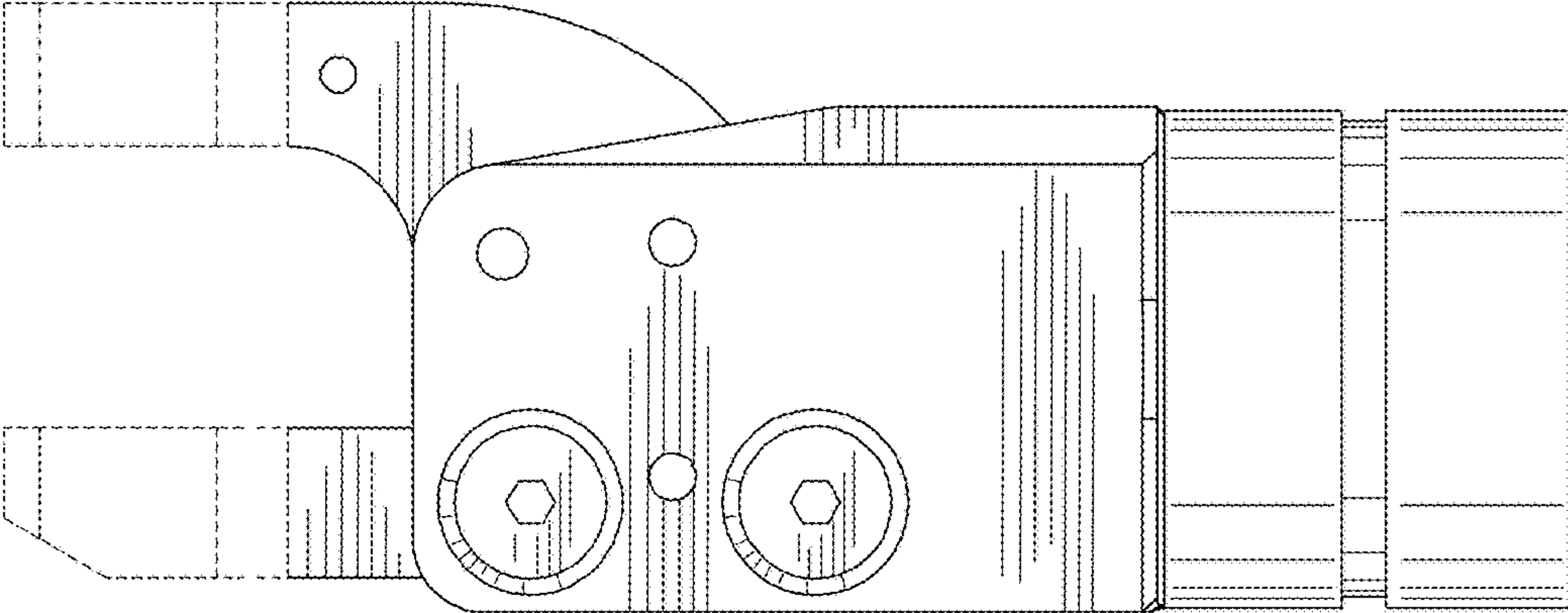


FIG - 6

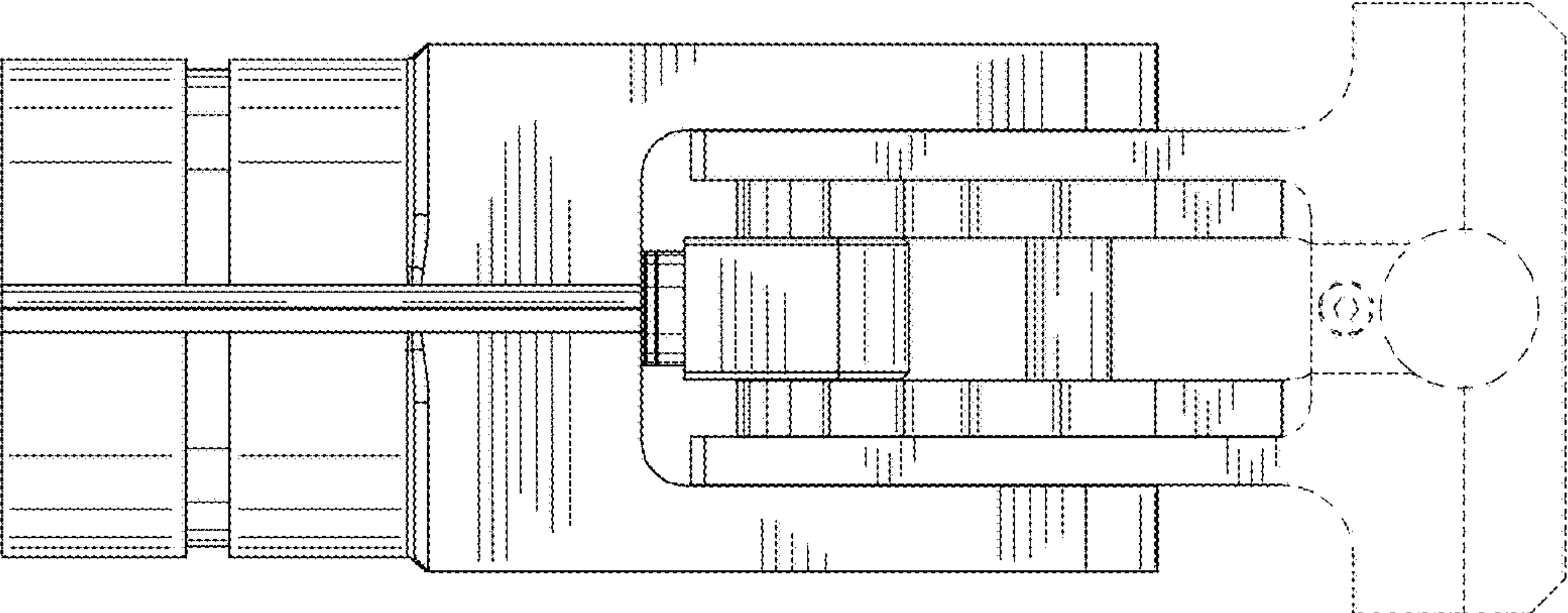


FIG - 7

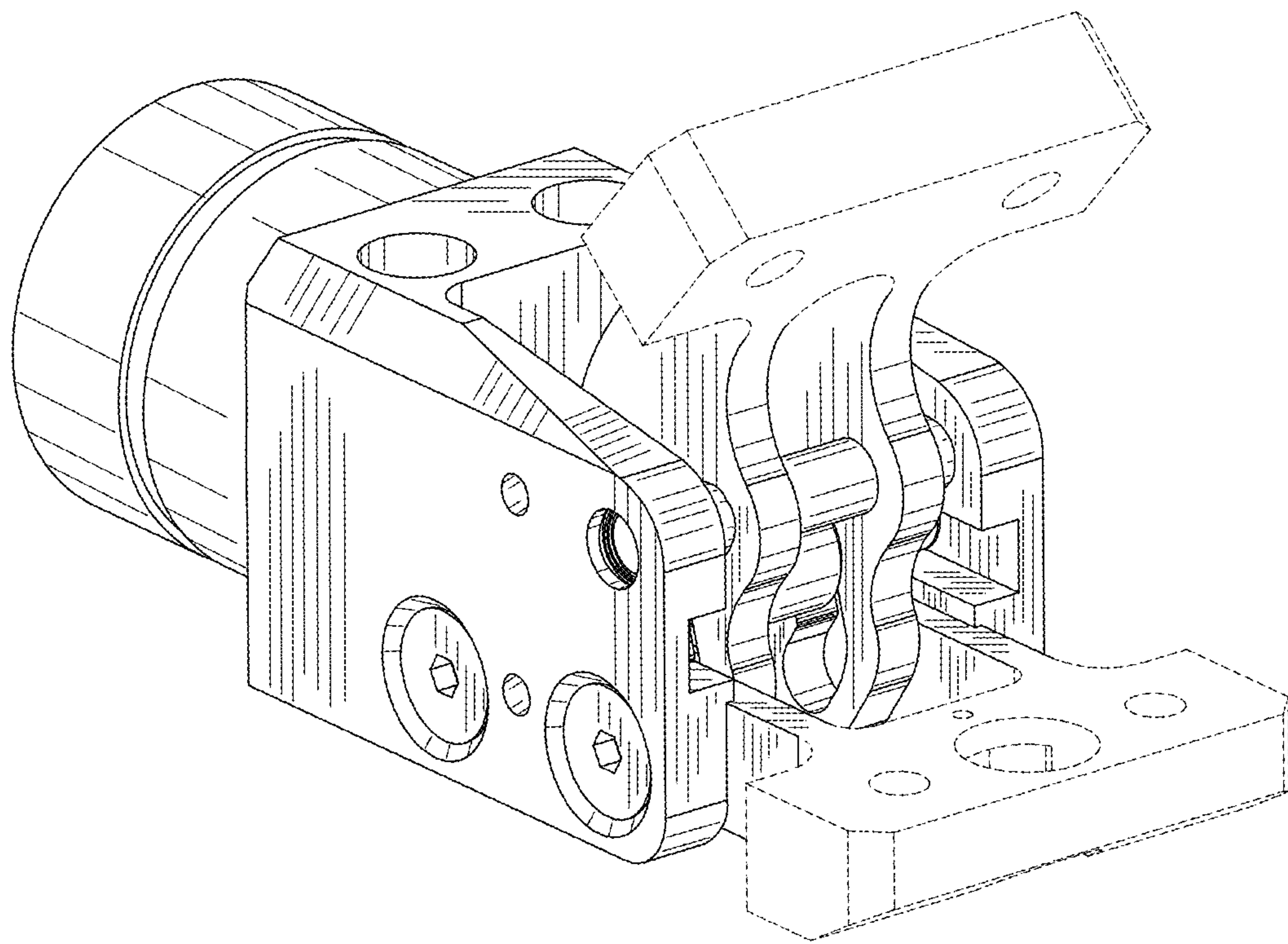


FIG - 8