



US00D811184S

(12) **United States Design Patent**
Yuan

(10) **Patent No.:** **US D811,184 S**
(45) **Date of Patent:** **** Feb. 27, 2018**

(54) **T-SHAPED SINGLE-HANDED RIVET GUN**

(71) Applicant: **Yuyao Tangwen Tool Co., Ltd., Yuyao (CN)**

(72) Inventor: **Jianming Yuan, Yuyao (CN)**

(73) Assignee: **Yuyao Tangwen Tool Co., Ltd., Yuyao (CN)**

(**) Term: **15 Years**

(21) Appl. No.: **29/580,404**

(22) Filed: **Oct. 7, 2016**

(51) **LOC (11) Cl.** **08-05**

(52) **U.S. Cl.**
USPC **D8/51; D8/68**

(58) **Field of Classification Search**
USPC D8/51, 61, 67, 68
CPC . B21J 15/043; B21J 15/22; B21J 15/36; B21J 15/326
See application file for complete search history.

6,732,563 B1 * 5/2004 Chen B21J 15/043
29/243.53

D502,372 S * 3/2005 Ziegert D8/61

D503,327 S * 3/2005 Ziegert D8/69

D506,115 S * 6/2005 King D8/54

6,978,526 B1 * 12/2005 Lin B21J 15/105
29/243.523

D521,340 S * 5/2006 Lin D8/68

7,082,657 B1 * 8/2006 Lin B21J 15/043
29/243.523

7,284,404 B2 * 10/2007 Lin B25B 27/0014
29/243.525

D588,427 S * 3/2009 Manak D8/51

D605,491 S * 12/2009 Mitomi D8/69

7,818,858 B2 * 10/2010 Daniels F16G 3/16
198/844.2

D681,413 S * 5/2013 Kita D8/61

8,443,512 B2 * 5/2013 Masugata B21J 15/043
29/243.521

D707,519 S * 6/2014 Masugata D8/68

D752,936 S * 4/2016 King D8/68

D781,121 S * 3/2017 King D8/68

* cited by examiner

Primary Examiner — Darlington Ly
(74) *Attorney, Agent, or Firm* — Wayne & King LLC

(56) **References Cited**

U.S. PATENT DOCUMENTS

D247,214 S * 2/1978 Wolf D8/51

D256,658 S * 9/1980 Ewig D8/61

D280,071 S * 8/1985 Oefinger D23/225

D280,795 S * 10/1985 Jordan D8/14

5,100,023 A * 3/1992 Varian B21J 15/32
221/239

D335,250 S * 5/1993 Rosier D8/68

D369,732 S * 5/1996 Rosier D8/68

D369,733 S * 5/1996 Rosier D8/68

D370,163 S * 5/1996 Hurd D8/68

D371,299 S * 7/1996 Rosier D8/68

D407,615 S * 4/1999 Cerulo D8/51

D423,896 S * 5/2000 Steiner D8/61

D445,012 S * 7/2001 Suzuki D8/61

D462,883 S * 9/2002 Steiner D8/68

(57) **CLAIM**

The ornamental design for a t-shaped single-handed rivet gun, as shown and described.

DESCRIPTION

FIG. 1 is a perspective view of a t-shaped single-handed rivet gun showing my new design;

FIG. 2 is a front elevation view thereof;

FIG. 3 is a rear elevation view thereof;

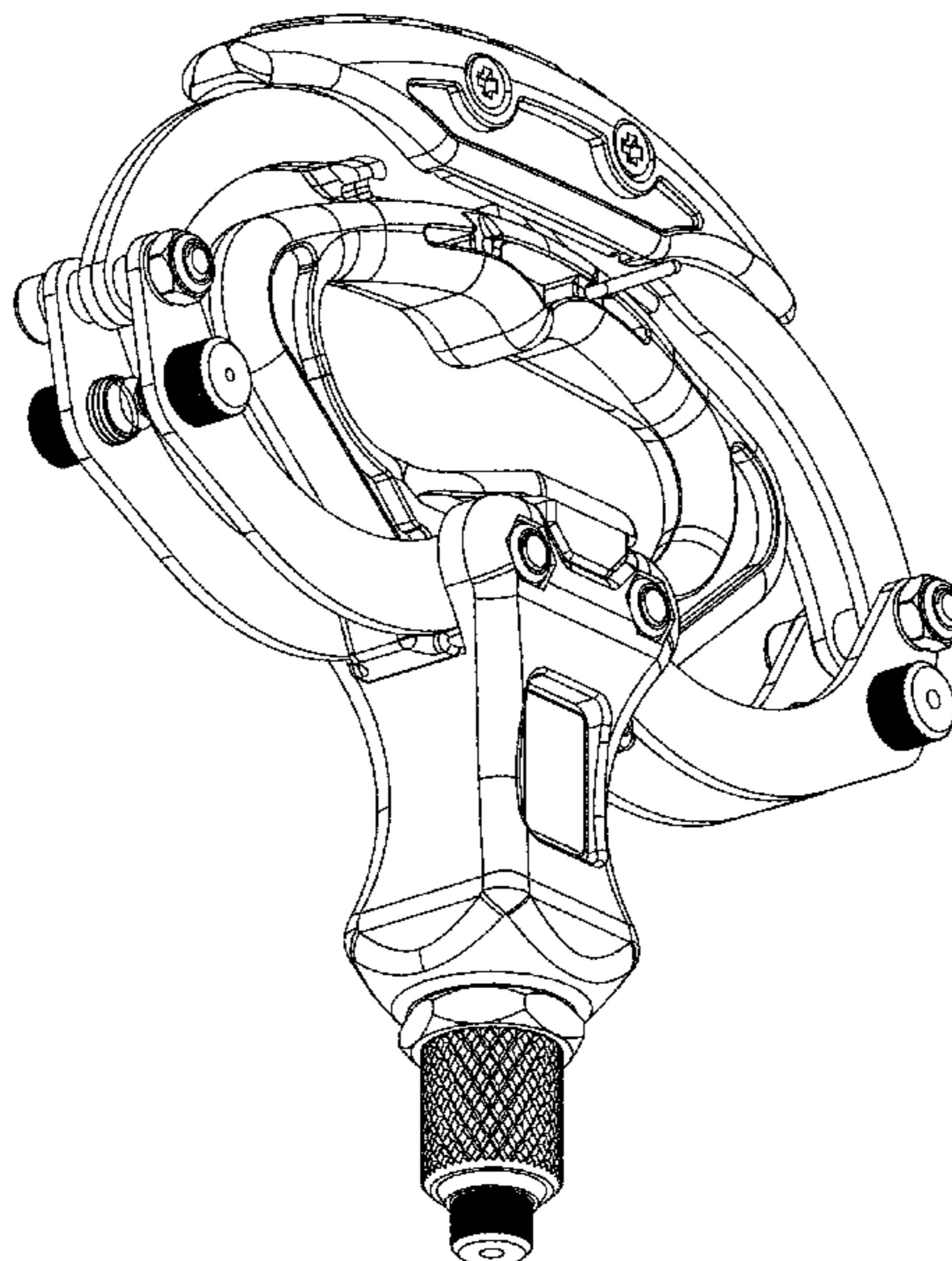
FIG. 4 is a left side elevation view thereof;

FIG. 5 is a right side elevation view thereof;

FIG. 6 is a top plan view thereof; and,

FIG. 7 is a bottom plan view thereof.

1 Claim, 7 Drawing Sheets



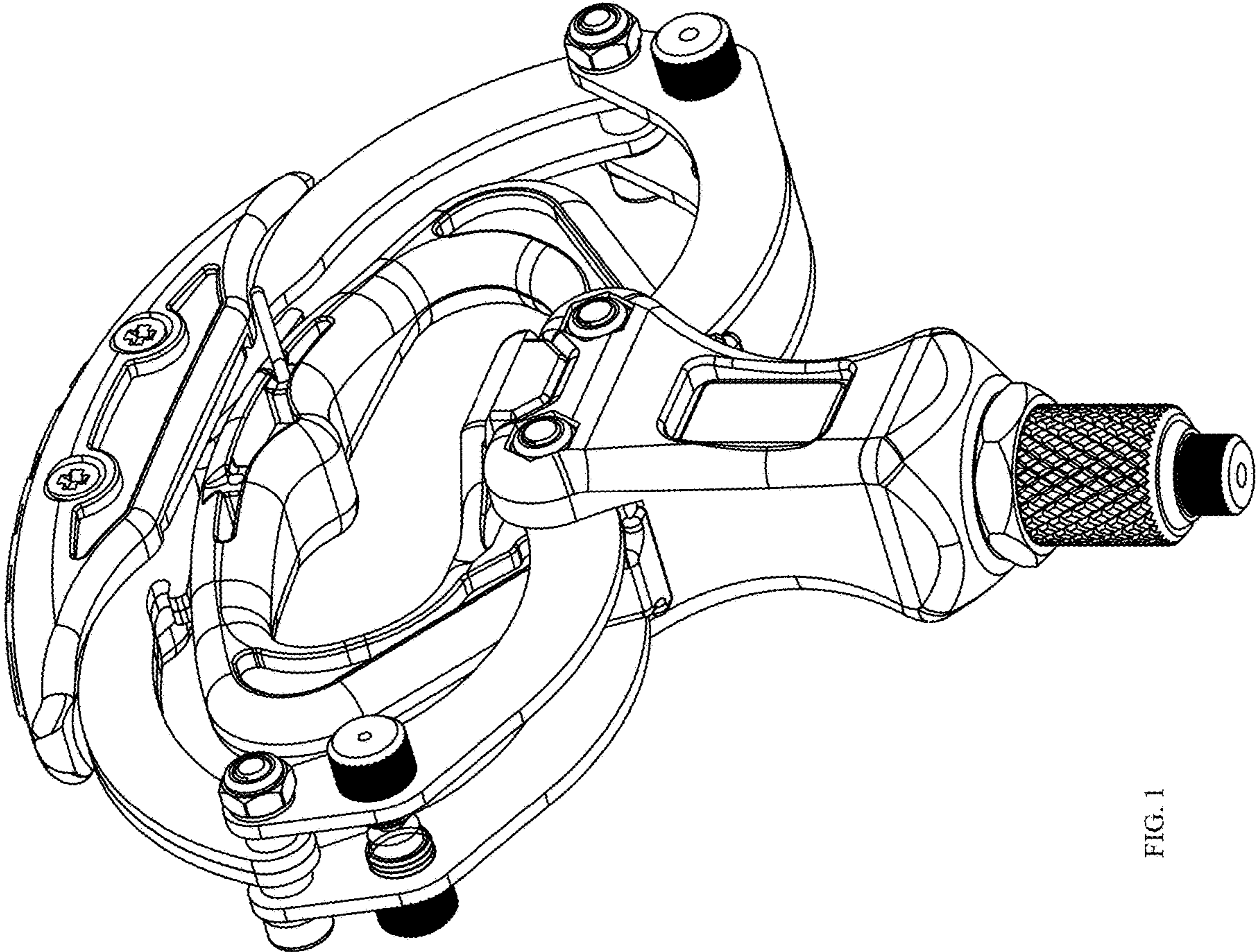


FIG. 1

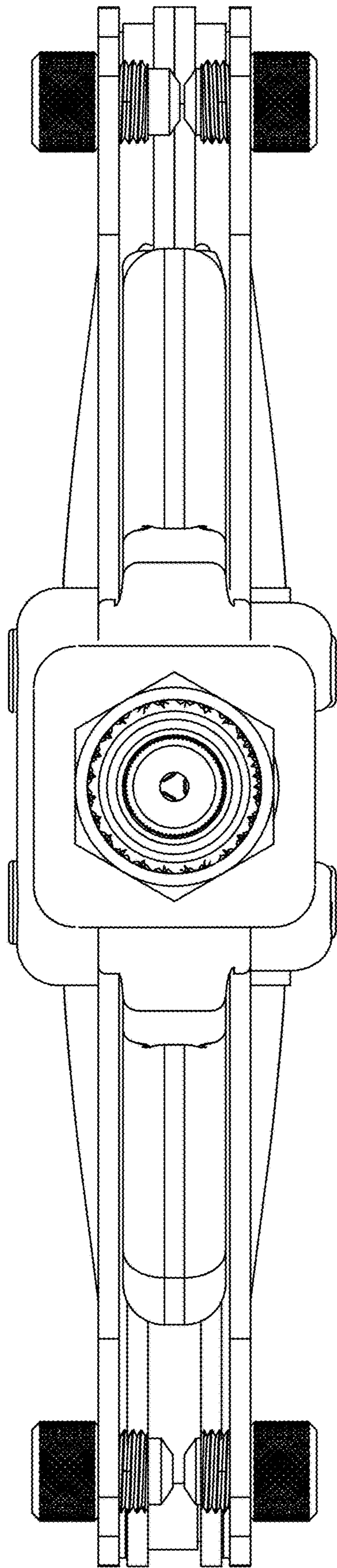


FIG. 2

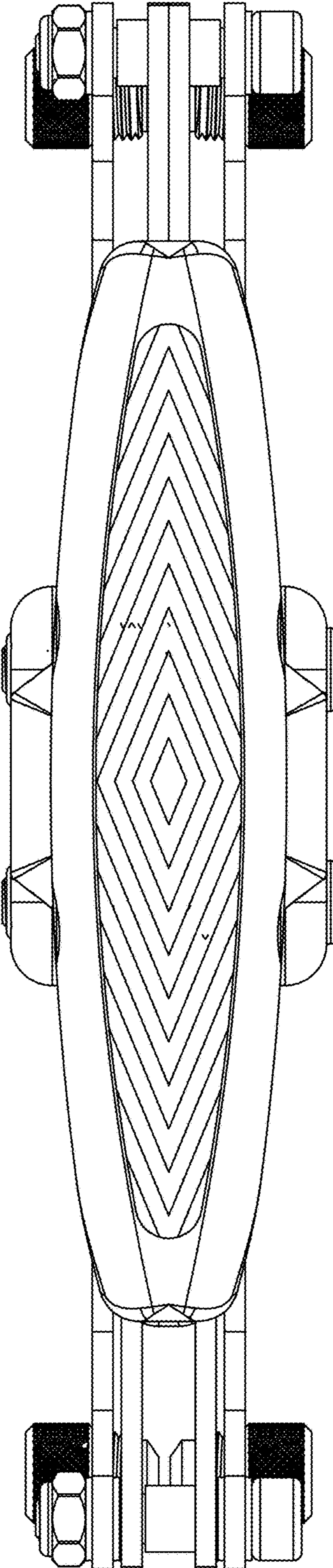


FIG. 3

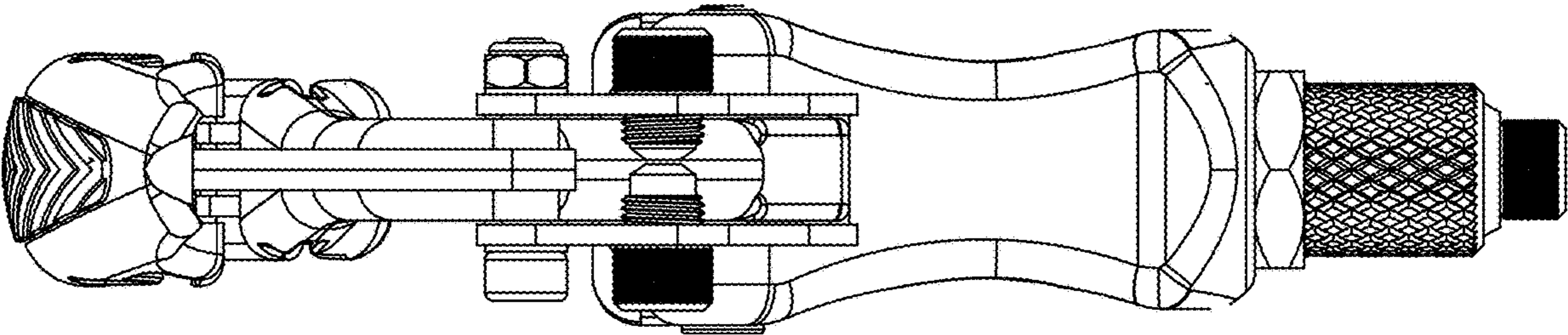


FIG. 4

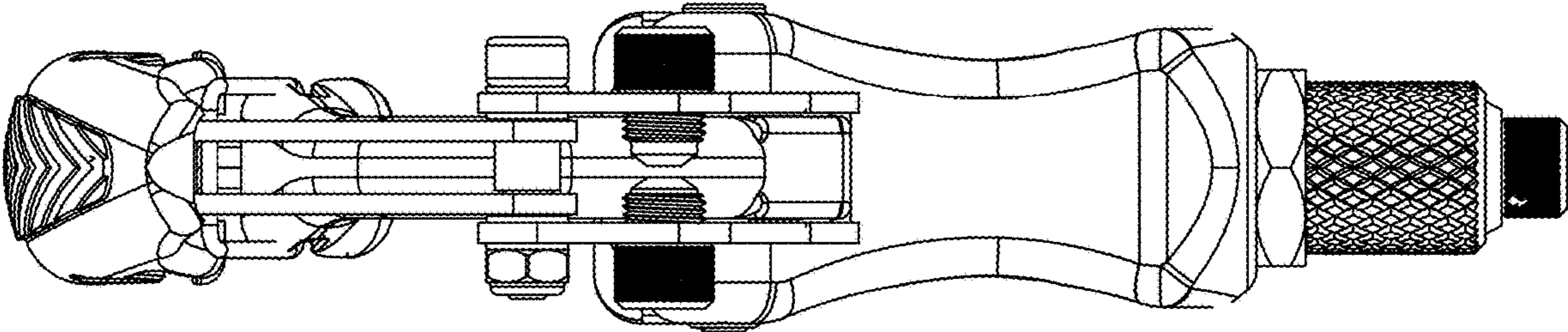


FIG. 5

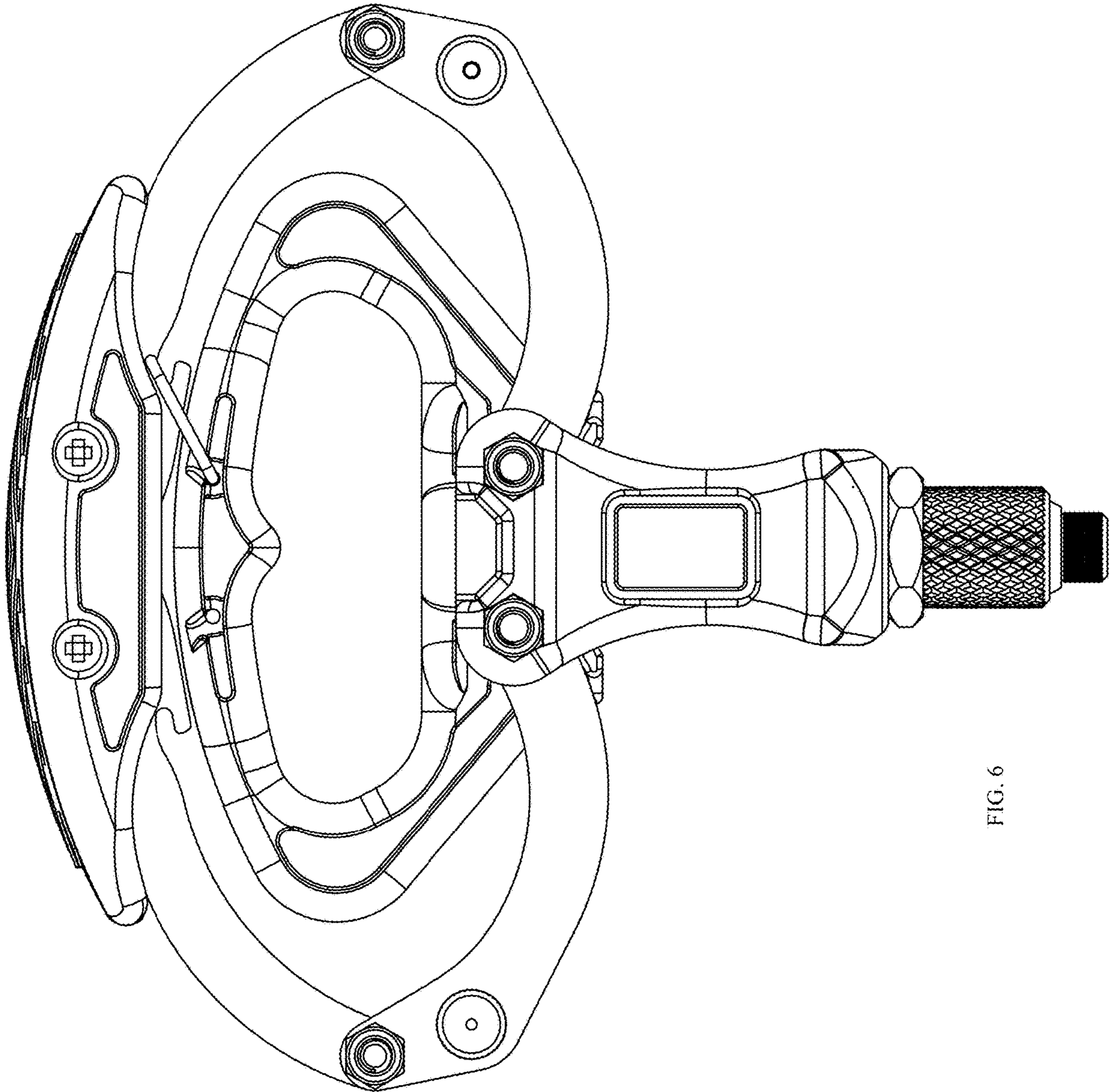


FIG. 6

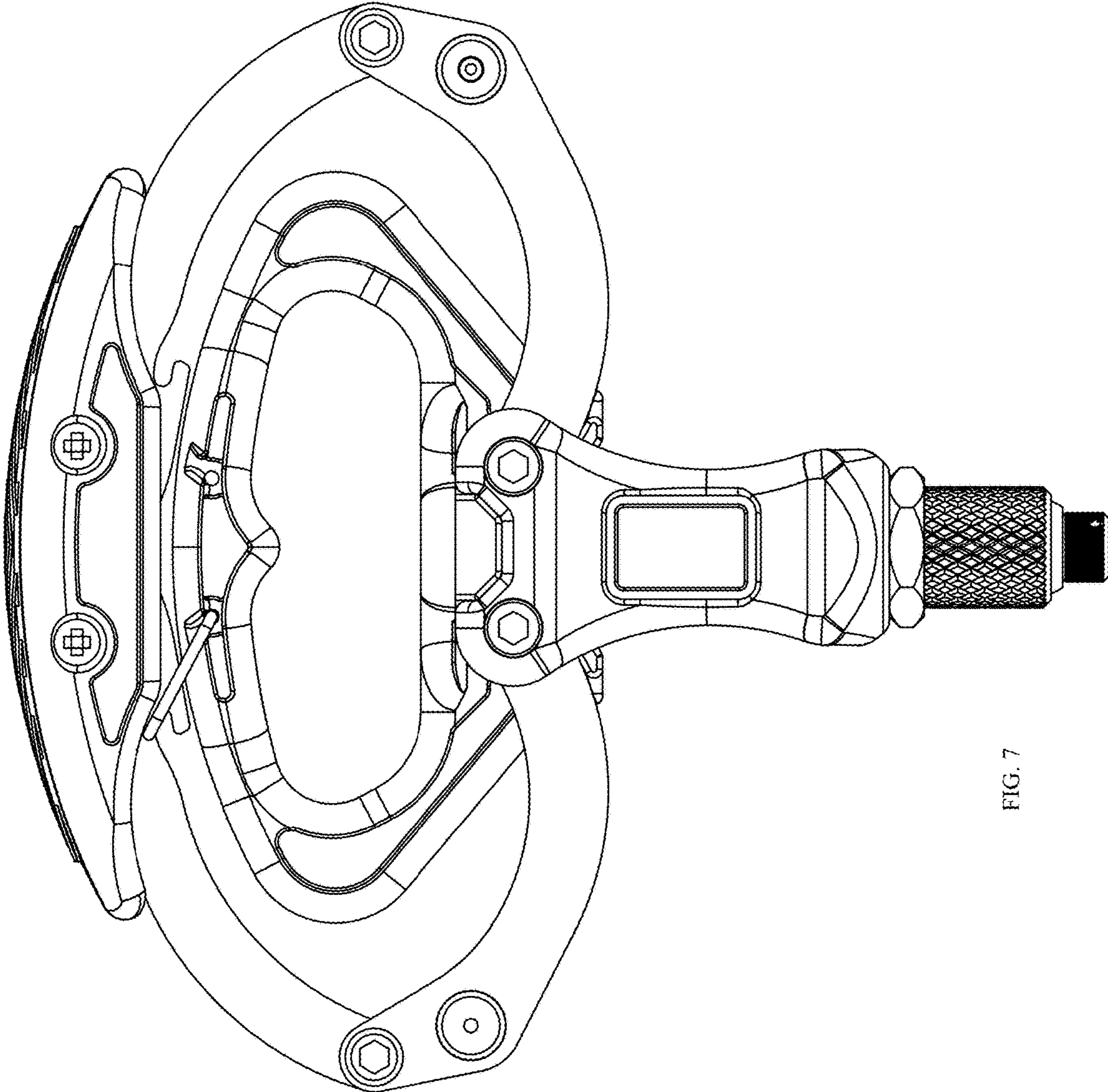


FIG. 7