



US00D811180S

(12) **United States Design Patent** (10) **Patent No.:** **US D811,180 S**
Thomas (45) **Date of Patent:** **** Feb. 27, 2018**

(54) **PLANT SUPPORT FOR A HYDROPONIC SYSTEM**
(71) Applicant: **Tyler J. Thomas**, Clermont, FL (US)
(72) Inventor: **Tyler J. Thomas**, Clermont, FL (US)
(73) Assignee: **Tyler J. Thomas**, Clermont, FL (US)
(**) Term: **15 Years**
(21) Appl. No.: **29/592,198**
(22) Filed: **Jan. 27, 2017**
(51) **LOC (11) Cl.** **08-01**
(52) **U.S. Cl.**
USPC **D8/1**
(58) **Field of Classification Search**
USPC D8/1; D15/10, 28; D6/403–405,
D6/556–558; D7/509, 523, 532;
D11/117, 143–156; 47/62 R
CPC A01G 31/02; A01G 13/0206; A01G 7/06;
A01G 9/02; A01G 9/021; A01G 9/023;
A01G 9/024; A01G 9/04; A01G 9/14;
A01G 9/1423; A01G 9/16; A01G 9/22;
A01G 9/243
See application file for complete search history.

D402,668 S * 12/1998 Schorr D15/10
D406,021 S * 2/1999 Grimes D8/1
D411,722 S * 6/1999 Grimes D8/1
D489,951 S * 5/2004 Buss D8/1
D510,846 S * 10/2005 Hardy D8/1
D555,988 S * 11/2007 Fleece D8/1
D586,688 S * 2/2009 Bromley D11/144
7,516,574 B2 * 4/2009 Gottlieb A01G 9/023
47/62 R
D604,196 S * 11/2009 Bissonnette D11/144
D606,773 S * 12/2009 Copp D6/403
D653,156 S * 1/2012 Phelps D11/143
D685,204 S * 7/2013 Schemmel D6/403
D750,996 S * 3/2016 Butler D11/155
D760,622 S * 7/2016 Ogden D11/143
D771,520 S * 11/2016 Bryan, III D11/155
D792,807 S * 7/2017 Bryan, III D11/144
D795,129 S * 8/2017 Dillard D11/143
D801,213 S * 10/2017 Kim D11/155
2003/0089037 A1 * 5/2003 Ware A01G 31/02
47/83

(Continued)

Primary Examiner — Mark Goodwin
(74) *Attorney, Agent, or Firm* — Allen, Dyer, Doppelt + Gilchrist, P.A.

(57) **CLAIM**

The ornamental design for a plant support for a hydroponic system, as shown and described.

DESCRIPTION

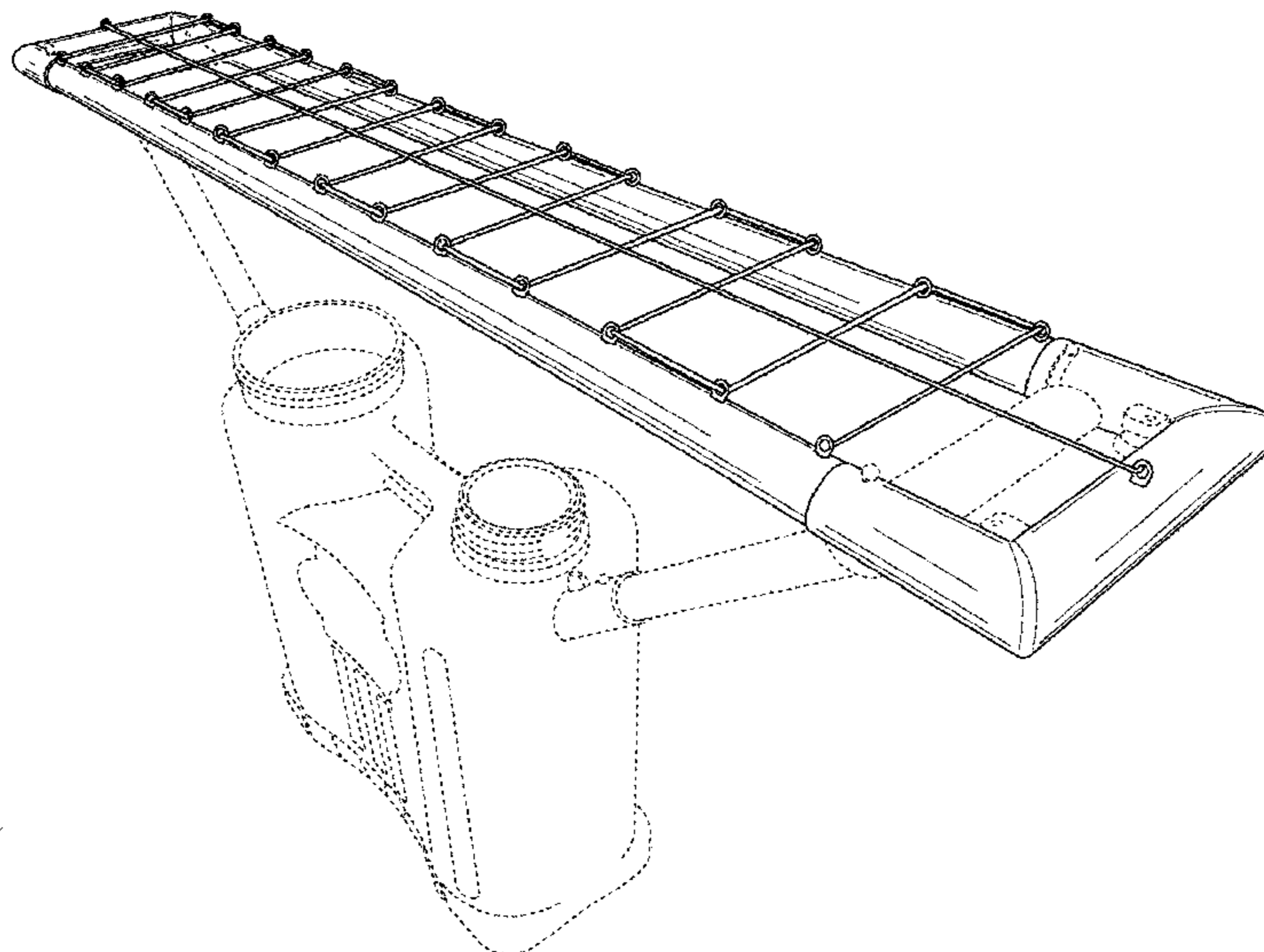
FIG. 1 is a perspective view of a plant support for a hydroponic system showing my new design;
FIG. 2 is a top view thereof;
FIG. 3 is an enlarged top view of a portion thereof;
FIG. 4 is a side view thereof; and,
FIG. 5 is a bottom view thereof.
The broken line showing of environmental structures is for illustrative purposes only and forms no part of the claimed design.

1 Claim, 4 Drawing Sheets

(56) **References Cited**

U.S. PATENT DOCUMENTS

D243,113 S * 1/1977 Hirsch 47/59 R
D247,356 S * 2/1978 Wright D11/144
D256,344 S * 8/1980 Schneck D11/156
4,255,896 A * 3/1981 Carl A01G 31/06
47/62 C
4,951,416 A * 8/1990 Gutridge A01G 31/02
47/39
D318,442 S * 7/1991 Check D11/164
5,067,275 A * 11/1991 Constance A01G 31/02
47/59 R
D357,644 S * 4/1995 Pedersen D11/143



(56)

References Cited

U.S. PATENT DOCUMENTS

2006/0272210 A1* 12/2006 Bissonnette A01G 31/02
47/69
2008/0222949 A1* 9/2008 Bissonnette A01G 7/045
47/60
2015/0334996 A1* 11/2015 Licamele A01K 63/003
119/246

* cited by examiner

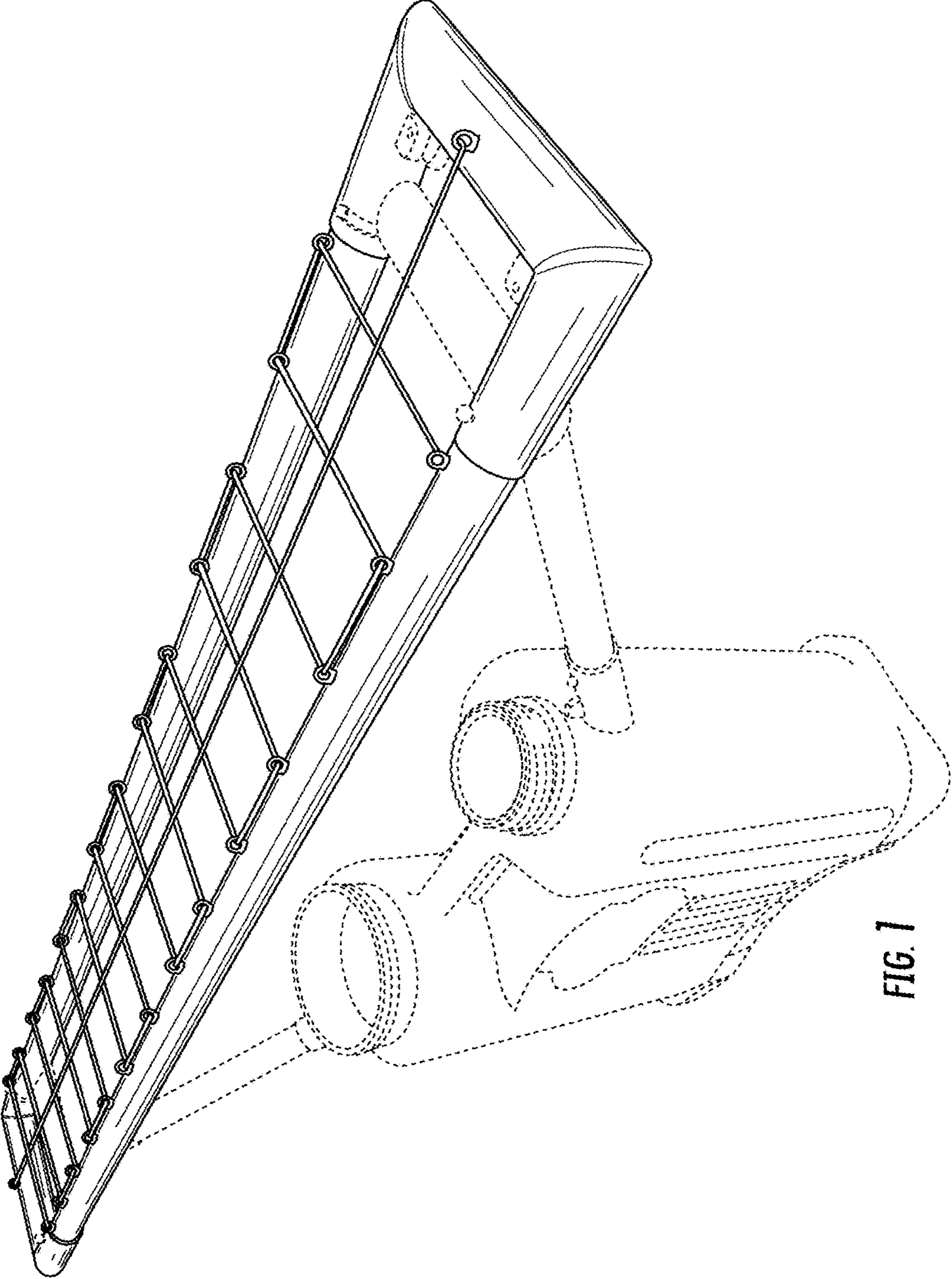


FIG. 1

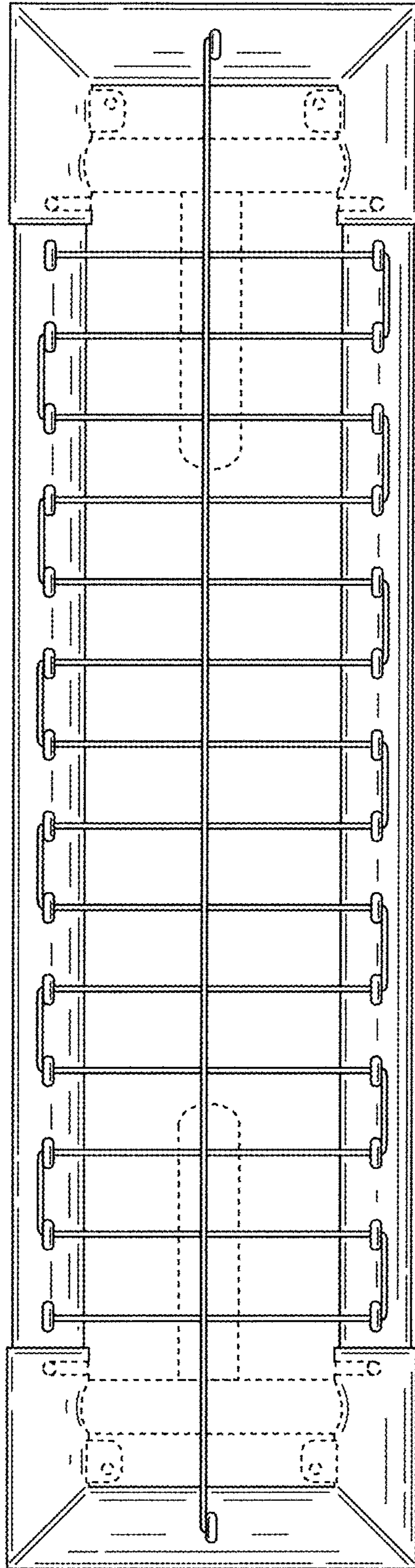


FIG. 2

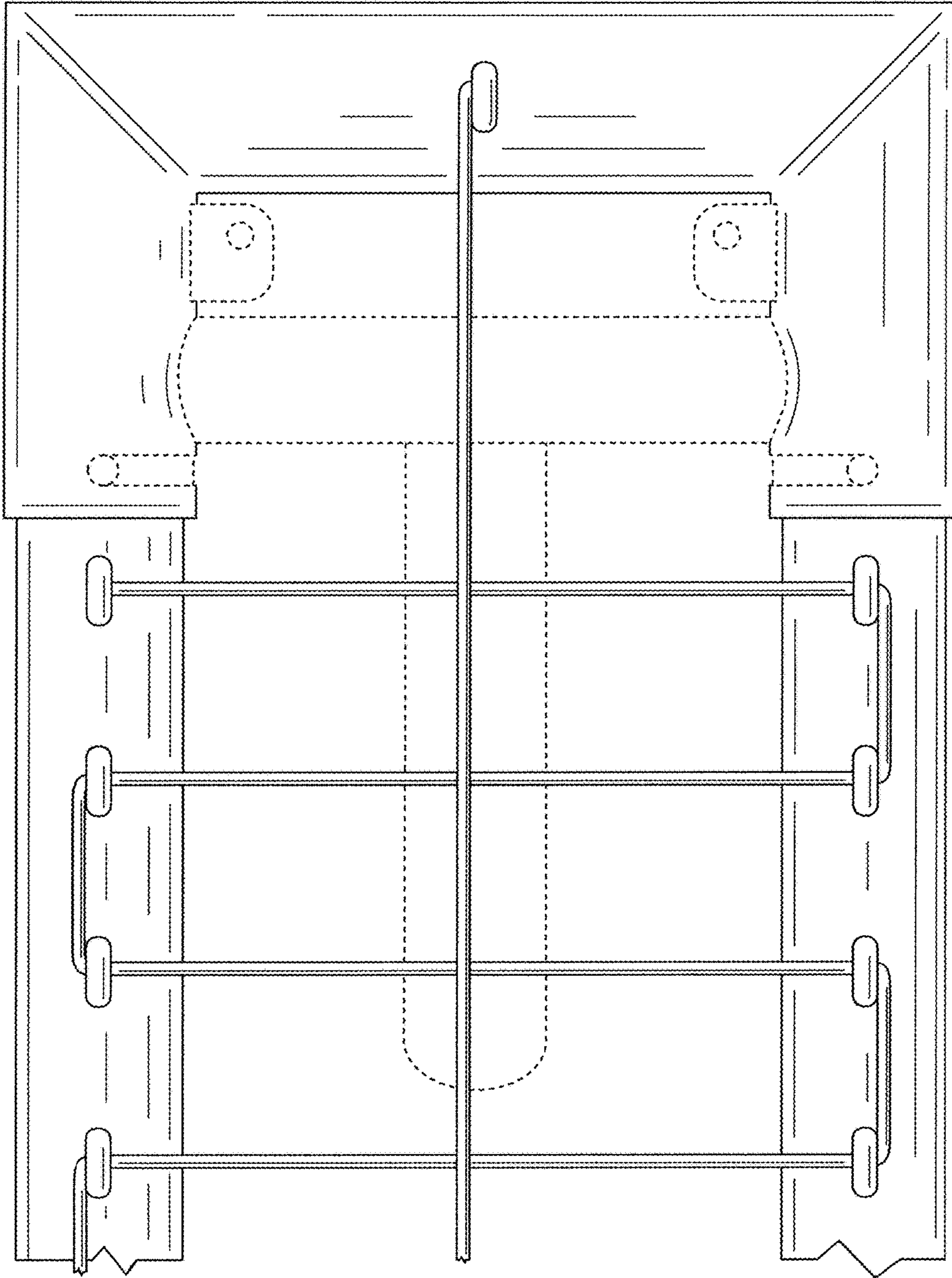


FIG. 3

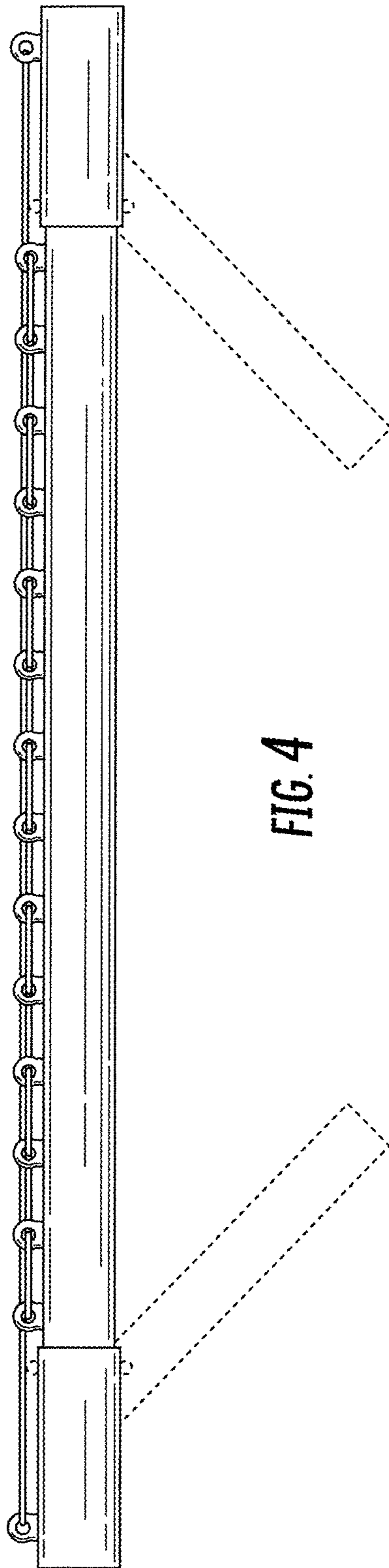


FIG. 4

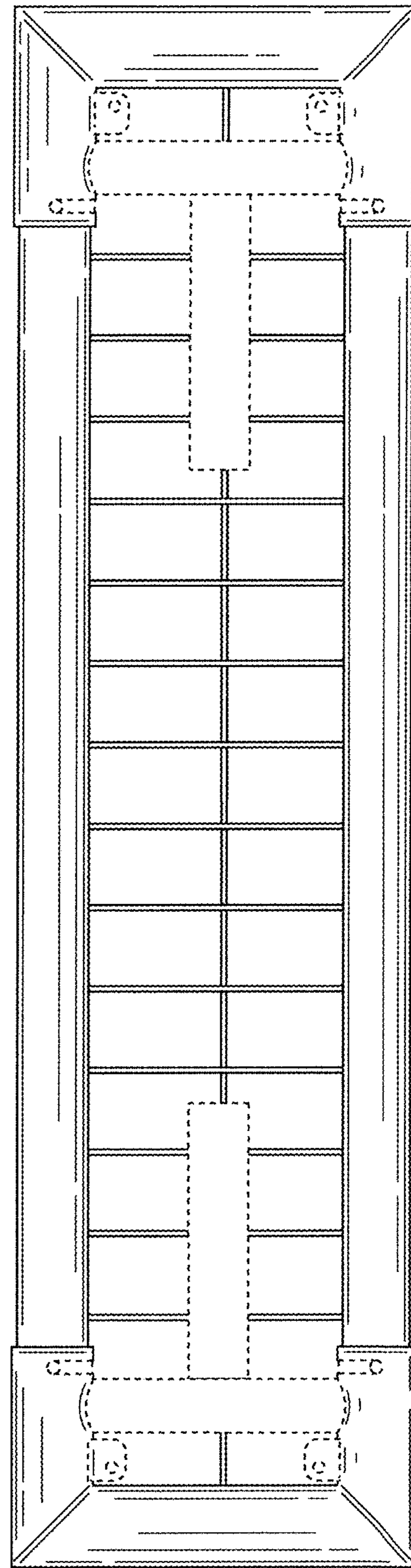


FIG. 5