



US00D811179S

(12) **United States Design Patent** (10) **Patent No.:** **US D811,179 S**
Ensworth et al. (45) **Date of Patent:** **** Feb. 27, 2018**

(54) **EMITTER PART**

FOREIGN PATENT DOCUMENTS

(71) Applicant: **Rain Bird Corporation**, Azusa, CA (US)

AU 2004208646 3/2006
CA 1053726 5/1979

(Continued)

(72) Inventors: **Mark M. Ensworth**, Orange, CA (US);
Jae Yung Kim, Los Angeles, CA (US);
Mark Richard Edris, Glendora, CA (US);
Joseph Nazari, La Crescenta, CA (US)

OTHER PUBLICATIONS

Alam, M. et al., 'Subsurface Drip Irrigation for Alfalfa', Kansas State University, 2009, pp. 1-8.

(Continued)

(73) Assignee: **Rain Bird Corporation**, Azusa, CA (US)

Primary Examiner — Sheryl Lane

(**) Term: **14 Years**

(74) *Attorney, Agent, or Firm* — Fitch, Even, Tabin & Flannery, LLP

(21) Appl. No.: **29/499,053**

(22) Filed: **Aug. 11, 2014**

(57) **CLAIM**

We claim the ornamental design for emitter part, as shown and described.

Related U.S. Application Data

(63) Continuation-in-part of application No. 13/964,903, filed on Aug. 12, 2013.

(51) **LOC (11) Cl.** **08-01**

(52) **U.S. Cl.**
USPC **D8/1**

(58) **Field of Classification Search**
USPC D8/1; D24/152
CPC A01G 25/023; A01G 25/026
See application file for complete search history.

DESCRIPTION

FIG. 1 is a perspective view of emitter part in accordance with our new design;
FIG. 2 is a right side elevation view of the emitter part of FIG. 1, the left side elevation view being a mirror image of the illustrated right side elevation view;
FIG. 3 is a rear elevation view of the emitter part of FIGS. 1-2;
FIG. 4 is a left side elevation view of the emitter part of FIGS. 1-3, the left side elevation view being a mirror image of the illustrated right side elevation view;
FIG. 5 is a front elevation view of the emitter part of FIGS. 1-4;
FIG. 6 is a top view of the emitter part of FIGS. 1-5; and, FIG. 7 is a bottom view of emitter part of FIGS. 1-6.
The broken lines in the figures represent environmental subject matter and form no part of the claimed design.

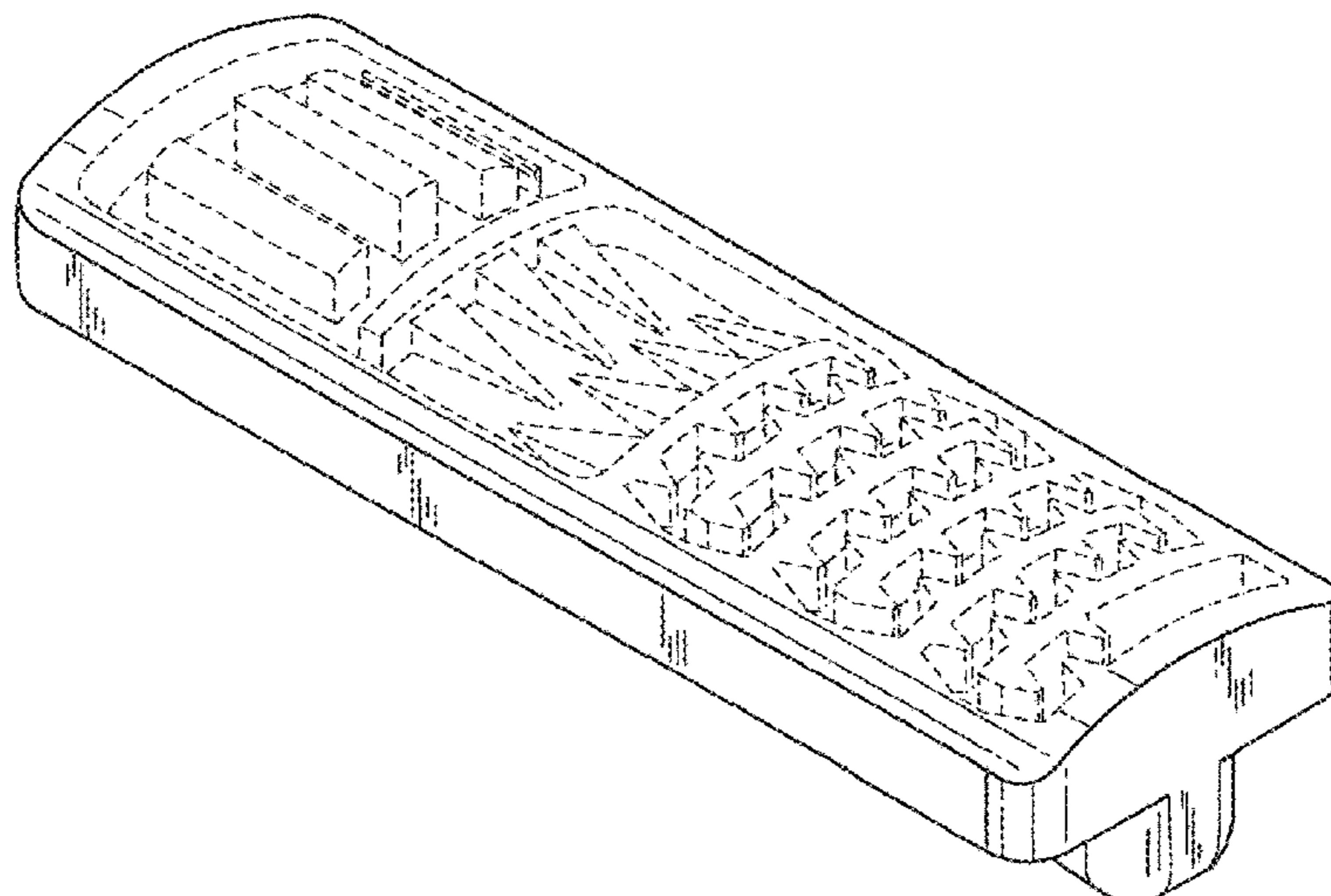
(56) **References Cited**

U.S. PATENT DOCUMENTS

2,174,515 A 10/1939 Hughes
2,449,731 A 9/1948 Therrien
2,508,403 A 5/1950 Knauss
2,625,429 A 1/1953 Coles
2,639,194 A 5/1953 Wahlin
2,683,061 A 7/1954 Tuttle, Jr.
2,794,321 A 6/1957 Warner
2,873,030 A 2/1959 Ashton

(Continued)

1 Claim, 4 Drawing Sheets



(56)

References Cited

U.S. PATENT DOCUMENTS

| | | | | | |
|-------------|---------|---------------------|---------------|---------|------------------------------------|
| 2,970,923 A | 2/1961 | Sparman | 4,209,133 A | 6/1980 | Mehouadar |
| 3,004,330 A | 10/1961 | Wilkins | 4,210,287 A | 7/1980 | Mehouadar |
| 3,155,612 A | 11/1964 | Weber | 4,223,838 A | 9/1980 | Maria-Vittorio-Torrisi |
| 3,182,916 A | 5/1965 | Schulz | 4,225,307 A | 9/1980 | Magera |
| 3,199,901 A | 8/1965 | Jeppsson | 4,226,368 A | 10/1980 | Hunter |
| 3,302,450 A | 2/1967 | Romuald | 4,235,380 A | 11/1980 | Delmer |
| 3,323,550 A | 6/1967 | Lee | 4,247,051 A | 1/1981 | Allport |
| 3,361,359 A | 1/1968 | Chapin | 4,250,915 A | 2/1981 | Rikuta |
| 3,420,064 A | 1/1969 | Blass et al. | 4,273,286 A | 6/1981 | Menzel |
| 3,426,544 A | 2/1969 | Curtis | 4,274,597 A | 6/1981 | Dobos |
| 3,434,500 A | 3/1969 | Burrows | 4,281,798 A | 8/1981 | Lemelstrich |
| 3,467,142 A | 9/1969 | Boyle et al. | 4,307,841 A | 12/1981 | Mehouadar |
| 3,586,291 A | 6/1971 | Malec | 4,331,293 A | 5/1982 | Rangel-Garza |
| 3,672,571 A | 6/1972 | Goodricke | 4,344,576 A | 8/1982 | Smith |
| 3,693,888 A | 9/1972 | Rondas et al. | 4,354,639 A | 10/1982 | Delmer |
| 3,697,002 A | 10/1972 | Parkison | 4,366,926 A | 1/1983 | Mehouadar |
| 3,698,195 A | 10/1972 | Chapin | 4,369,923 A | 1/1983 | Bron |
| 3,719,327 A | 3/1973 | McMahan | 4,384,680 A | 5/1983 | Mehouadar |
| 3,729,142 A | 4/1973 | Rangel-Garza et al. | 4,385,727 A | 5/1983 | Spencer |
| 3,753,527 A | 8/1973 | Galbraith et al. | 4,385,757 A | 5/1983 | Muller |
| 3,777,980 A | 12/1973 | Allport | 4,392,616 A * | 7/1983 | Olson A01G 25/026 239/271 |
| 3,777,987 A | 12/1973 | Allport | 4,413,786 A | 11/1983 | Mehouadar |
| 3,779,468 A | 12/1973 | Spencer | 4,413,787 A | 11/1983 | Gilead |
| 3,780,946 A | 12/1973 | Smith et al. | 4,424,936 A | 1/1984 | Marc |
| 3,791,587 A | 2/1974 | Drori | 4,430,020 A | 2/1984 | Robbins |
| 3,797,741 A | 3/1974 | Spencer | 4,460,129 A | 7/1984 | Olsen |
| 3,804,334 A | 4/1974 | Curry | 4,473,191 A | 9/1984 | Chapin |
| 3,807,430 A | 4/1974 | Keller | 4,473,525 A | 9/1984 | Drori |
| 3,814,377 A | 6/1974 | Todd | 4,502,631 A | 3/1985 | Christen |
| 3,815,636 A | 6/1974 | Menzel | 4,508,140 A | 4/1985 | Harrison |
| RE28,095 E | 7/1974 | Chapin | 4,513,777 A | 4/1985 | Wright |
| 3,851,896 A | 12/1974 | Olson | 4,519,546 A | 5/1985 | Gorney |
| 3,856,333 A | 12/1974 | Cox | 4,522,339 A | 6/1985 | Costa |
| 3,863,845 A | 2/1975 | Bumpstead | 4,533,083 A | 8/1985 | Tucker |
| 3,866,833 A | 2/1975 | Kojimoto | 4,534,515 A | 8/1985 | Chapin |
| 3,870,236 A | 3/1975 | Sahagun-Barragan | 4,545,784 A | 10/1985 | Sanderson |
| 3,873,030 A | 3/1975 | Barragan | 4,572,756 A | 2/1986 | Chapin |
| 3,874,598 A | 4/1975 | Havens | 4,573,640 A | 3/1986 | Mehouadar |
| 3,882,892 A | 5/1975 | Menzel | 4,593,857 A | 6/1986 | Raz |
| 3,885,743 A | 5/1975 | Wake | 4,613,080 A | 9/1986 | Benson |
| 3,895,085 A | 7/1975 | Suzuki et al. | 4,626,130 A | 12/1986 | Chapin |
| 3,896,999 A | 7/1975 | Barragan | 4,627,903 A | 12/1986 | Chapman |
| 3,903,929 A | 9/1975 | Mock | 4,642,152 A | 2/1987 | Chapin |
| 3,940,066 A | 2/1976 | Hunter | 4,653,695 A | 3/1987 | Eckstein |
| 3,948,285 A | 4/1976 | Flynn | 4,687,143 A | 8/1987 | Gorney |
| 3,954,223 A | 5/1976 | Wichman et al. | 4,702,787 A | 10/1987 | Ruskin |
| 3,970,251 A | 7/1976 | Harmony | 4,718,608 A | 1/1988 | Mehouadar |
| 3,973,732 A | 8/1976 | Diggs | 4,722,481 A | 2/1988 | Lemkin |
| 3,981,452 A | 9/1976 | Eckstein | 4,722,759 A | 2/1988 | Roberts |
| 3,993,248 A | 11/1976 | Harmony | 4,726,520 A | 2/1988 | Brown |
| 3,995,436 A | 12/1976 | Diggs | 4,726,527 A | 2/1988 | Mendenhall |
| 3,998,244 A | 12/1976 | Bentley | 4,728,042 A | 3/1988 | Gorney |
| 3,998,391 A | 12/1976 | Lemelshtrich | 4,735,363 A | 4/1988 | Shfaram |
| 3,998,427 A | 12/1976 | Bentley | 4,749,130 A | 6/1988 | Utzinger |
| 4,008,853 A | 2/1977 | Tregillus | 4,753,394 A | 6/1988 | Goodman |
| 4,022,384 A | 5/1977 | Hoyle | 4,756,339 A | 7/1988 | Buluschek |
| 4,036,435 A | 7/1977 | Pecaro | 4,765,541 A | 8/1988 | Mangels |
| 4,037,791 A | 7/1977 | Mullett et al. | 4,775,046 A | 10/1988 | Gramarossa |
| 4,047,995 A | 9/1977 | Leal-Diaz | 4,781,217 A | 11/1988 | Rosenberg |
| 4,058,257 A | 11/1977 | Spencer | 4,789,005 A | 12/1988 | Griffiths |
| 4,059,228 A | 11/1977 | Werner | 4,796,660 A | 1/1989 | Bron |
| 4,077,570 A | 3/1978 | Harmony | 4,807,668 A | 2/1989 | Roberts |
| 4,077,571 A | 3/1978 | Harmony | 4,817,875 A | 4/1989 | Karmeli |
| 4,084,749 A | 4/1978 | Drori | 4,824,019 A | 4/1989 | Lew |
| 4,092,002 A | 5/1978 | Grosse | 4,824,025 A | 4/1989 | Miller |
| 4,095,750 A | 6/1978 | Gilead | 4,850,531 A | 7/1989 | Littleton |
| 4,105,162 A | 8/1978 | Drori | 4,856,552 A | 8/1989 | Hiemstra |
| 4,121,771 A | 10/1978 | Hendrickson | 4,859,264 A | 8/1989 | Buluschek |
| 4,122,590 A | 10/1978 | Spencer | 4,874,132 A | 10/1989 | Gilead |
| 4,143,820 A | 3/1979 | Bright, Sr. | 4,880,167 A | 11/1989 | Langa et al. |
| 4,160,323 A | 7/1979 | Tracy | 4,900,437 A | 2/1990 | Savall |
| 4,161,291 A | 7/1979 | Bentley | 4,909,411 A | 3/1990 | Uchida |
| 4,177,946 A | 12/1979 | Sahagun-Barragan | 4,948,295 A | 8/1990 | Pramsoler |
| 4,177,947 A | 12/1979 | Menzel | 4,984,739 A | 1/1991 | Allport |
| 4,196,853 A | 4/1980 | Delmer | 5,022,940 A | 6/1991 | Mehouadar |
| | | | 5,031,837 A | 7/1991 | Hanish |
| | | | 5,040,770 A | 8/1991 | Rajster |
| | | | 5,052,625 A | 10/1991 | Ruskin |

(56)

References Cited

U.S. PATENT DOCUMENTS

| | | | | | |
|-------------|---------|-------------------|----------------|---------|--------------------------------------|
| 5,096,206 A | 3/1992 | Andre | 5,855,324 A | 1/1999 | DeFrank et al. |
| 5,111,995 A | 5/1992 | Dumitrascu et al. | 5,865,377 A | 2/1999 | DeFrank |
| 5,111,996 A | 5/1992 | Eckstein | 5,875,815 A | 3/1999 | Ungerecht |
| 5,116,414 A | 5/1992 | Burton | 5,898,019 A | 4/1999 | VanVoris |
| 5,118,042 A | 6/1992 | Delmer et al. | 5,944,260 A | 8/1999 | Wang |
| 5,122,044 A | 6/1992 | Mehoudar | 5,957,391 A | 9/1999 | DeFrank et al. |
| 5,123,984 A | 6/1992 | Allport | 5,972,375 A | 10/1999 | Truter |
| 5,137,216 A | 8/1992 | Hanish | 6,015,102 A | 1/2000 | Daigle |
| 5,141,360 A | 8/1992 | Zeman | 6,026,850 A | 2/2000 | Newton |
| 5,163,622 A | 11/1992 | Cohen | 6,027,048 A * | 2/2000 | Mehoudar A01G 25/023 138/42 |
| 5,181,952 A | 1/1993 | Burton | 6,039,270 A | 3/2000 | Dermitzakis |
| 5,183,208 A | 2/1993 | Cohen | 6,062,245 A | 5/2000 | Berglind |
| 5,192,027 A | 3/1993 | Delmer | 6,095,185 A | 8/2000 | Rosenberg |
| 5,200,132 A | 4/1993 | Shfaram | 6,109,296 A | 8/2000 | Austin |
| 5,203,503 A | 4/1993 | Cohen | 6,116,523 A | 9/2000 | Cabahug |
| 5,207,386 A | 5/1993 | Mehoudar | 6,120,634 A | 9/2000 | Harrold |
| 5,232,159 A | 8/1993 | Abbate, Sr. | 6,179,949 B1 | 1/2001 | Buluschek |
| 5,232,160 A | 8/1993 | Hendrickson | 6,180,162 B1 | 1/2001 | Shigeru |
| 5,236,130 A | 8/1993 | Hadar | 6,206,305 B1 | 3/2001 | Mehoudar |
| 5,246,171 A | 9/1993 | Roberts | 6,213,408 B1 | 4/2001 | Shekalim |
| 5,252,162 A | 10/1993 | Delmer | 6,238,081 B1 | 5/2001 | Sand |
| 5,253,807 A | 10/1993 | Newbegin | 6,250,571 B1 * | 6/2001 | Cohen A01G 25/023 239/533.1 |
| 5,271,786 A | 12/1993 | Gorney | 6,280,554 B1 | 8/2001 | Lambert et al. |
| 5,279,462 A | 1/1994 | Mehoudar | 6,302,338 B1 | 10/2001 | Cohen |
| 5,282,578 A | 2/1994 | DeFrank | 6,308,902 B1 | 10/2001 | Huntley |
| 5,282,916 A | 2/1994 | Bloom | 6,334,958 B1 | 1/2002 | Ruskin |
| 5,283,916 A | 2/1994 | Haro | 6,343,616 B1 | 2/2002 | Houtchens |
| 5,294,058 A | 3/1994 | Einav | D455,055 S * | 4/2002 | Roberts D23/266 |
| 5,310,438 A | 5/1994 | Ruskin | 6,371,390 B1 | 4/2002 | Cohen |
| 5,314,116 A | 5/1994 | Krauth | 6,382,530 B1 | 5/2002 | Perkins |
| 5,316,220 A | 5/1994 | Dinur | 6,394,412 B2 | 5/2002 | Zakai et al. |
| 5,318,657 A | 6/1994 | Roberts | 6,403,013 B1 | 6/2002 | Man |
| 5,324,371 A | 6/1994 | Mehoudar | 6,449,872 B1 | 9/2002 | Olkku |
| 5,324,379 A | 6/1994 | Eckstein | 6,460,786 B1 | 10/2002 | Roberts |
| 5,327,941 A | 7/1994 | Bitsakis | 6,461,468 B1 | 10/2002 | Cohen |
| 5,330,107 A | 7/1994 | Karathanos | 6,461,486 B2 | 10/2002 | Lorincz et al. |
| 5,332,160 A | 7/1994 | Ruskin | 6,464,152 B1 | 10/2002 | Bolinis |
| 5,333,793 A | 8/1994 | DeFrank | 6,499,687 B2 | 12/2002 | Bryant |
| 5,337,597 A | 8/1994 | Peake | 6,499,872 B2 | 12/2002 | Sand |
| 5,353,993 A | 10/1994 | Rosenberg | 6,513,734 B2 | 2/2003 | Bertolotti |
| 5,364,032 A | 11/1994 | DeFrank | 6,543,509 B1 | 4/2003 | Harrold |
| 5,399,160 A | 3/1995 | Dunberger | 6,557,819 B2 | 5/2003 | Austin |
| 5,400,973 A | 3/1995 | Cohen | 6,561,443 B2 | 5/2003 | Delmer |
| 5,413,282 A | 5/1995 | Boswell | 6,568,607 B2 | 5/2003 | Boswell et al. |
| 5,441,203 A | 8/1995 | Swan | 6,581,262 B1 | 6/2003 | Myers |
| 5,442,001 A | 8/1995 | Jones | 6,581,854 B2 | 6/2003 | Eckstein et al. |
| 5,443,212 A | 8/1995 | Dinur | 6,581,902 B2 | 6/2003 | Michau |
| 5,449,250 A | 9/1995 | Burton | 6,620,278 B1 | 9/2003 | Harrold |
| 5,522,551 A | 6/1996 | DeFrank | 6,622,427 B2 | 9/2003 | Breitner |
| 5,531,381 A | 7/1996 | Ruttenberg | 6,622,946 B2 | 9/2003 | Held |
| 5,535,778 A | 7/1996 | Zakai | 6,691,739 B2 | 2/2004 | Rosenberg |
| 5,584,952 A | 12/1996 | Rubenstein | 6,736,337 B2 | 5/2004 | Vildibill et al. |
| 5,586,727 A | 12/1996 | Shekalim | 6,750,760 B2 | 6/2004 | Albritton |
| 5,591,293 A | 1/1997 | Miller | 6,764,029 B2 | 7/2004 | Rosenberg |
| 5,601,381 A | 2/1997 | Hadar | 6,817,548 B2 | 11/2004 | Krauth |
| 5,609,303 A | 3/1997 | Cohen | 6,821,928 B2 | 11/2004 | Ruskin |
| 5,615,833 A | 4/1997 | Robillard et al. | 6,827,298 B2 | 12/2004 | Sacks |
| 5,615,838 A | 4/1997 | Eckstein et al. | 6,830,203 B2 | 12/2004 | Neyestani |
| 5,620,143 A | 4/1997 | Delmer | 6,875,491 B2 | 4/2005 | Miyamoto |
| 5,628,462 A | 5/1997 | Miller | 6,886,761 B2 | 5/2005 | Cohen |
| 5,634,594 A | 6/1997 | Cohen | 6,894,250 B2 | 5/2005 | Kertscher |
| 5,636,797 A | 6/1997 | Cohen | 6,896,758 B1 | 5/2005 | Giuffre |
| 5,641,113 A | 6/1997 | Somaki | 6,920,907 B2 | 7/2005 | Harrold |
| 5,673,852 A | 10/1997 | Roberts | 6,933,337 B2 | 8/2005 | Lang |
| 5,676,897 A | 10/1997 | Dermitzakis | 6,936,126 B2 | 8/2005 | DeFrank |
| 5,695,127 A | 12/1997 | Delmer | 6,945,476 B2 | 9/2005 | Giuffre |
| 5,722,601 A | 3/1998 | DeFrank | 6,996,932 B2 | 2/2006 | Kruer |
| 5,732,887 A | 3/1998 | Roberts | 6,997,402 B2 | 2/2006 | Kruer |
| 5,744,423 A | 4/1998 | Voris | 7,048,010 B2 | 5/2006 | Golan |
| 5,744,779 A | 4/1998 | Buluschek | 7,108,205 B1 | 9/2006 | Hashimshony |
| 5,785,785 A | 7/1998 | Delmer | 7,175,113 B2 | 2/2007 | Cohen |
| 5,820,028 A | 10/1998 | Dinur | 7,241,825 B2 | 7/2007 | Koga |
| 5,820,029 A | 10/1998 | Marans | 7,270,280 B2 | 9/2007 | Belford |
| 5,829,685 A | 11/1998 | Cohen | 7,300,004 B2 | 11/2007 | Sinden |
| 5,829,686 A | 11/1998 | Cohen | 7,363,938 B1 | 4/2008 | Newton |
| | | | 7,392,614 B2 | 7/2008 | Kruer |
| | | | 7,410,108 B2 | 8/2008 | Rabinowitz |

(56)

References Cited

U.S. PATENT DOCUMENTS

| | | | | | | |
|-------------------|---------|----------------------------|-------------------|---------|----------------|-------------|
| 7,445,021 B2 | 11/2008 | Newton | 2005/0029231 A1 | 2/2005 | Kertscher | |
| 7,445,168 B2 | 11/2008 | Ruskin | 2005/0077396 A1 | 4/2005 | Rabinowitz | |
| 7,455,094 B2 | 11/2008 | Lee | 2005/0103409 A1 | 5/2005 | Weber | |
| 7,530,382 B2 | 5/2009 | Kertscher et al. | 2005/0133613 A1 | 6/2005 | Mayer | |
| 7,648,085 B2 | 1/2010 | Mavrakis | 2005/0224607 A1 | 10/2005 | Dinur et al. | |
| 7,681,805 B2 * | 3/2010 | Belford A01G 25/023 | 2005/0224962 A1 | 10/2005 | Akamatsu | |
| | | 138/42 | 2005/0258278 A1 * | 11/2005 | Cohen | A01G 25/026 |
| | | | | | | 239/542 |
| 7,681,810 B2 | 3/2010 | Keren | 2005/0258279 A1 | 11/2005 | Harrold | |
| 7,695,587 B2 | 4/2010 | Kertscher | 2005/0279866 A1 | 12/2005 | Belford | |
| 7,735,758 B2 * | 6/2010 | Cohen A01G 25/023 | 2005/0284966 A1 * | 12/2005 | DeFrank | A01G 25/023 |
| | | 239/533.1 | | | | 239/542 |
| 7,775,237 B2 | 8/2010 | Keren | 2006/0032949 A1 | 2/2006 | Lo | |
| 7,802,592 B2 | 9/2010 | McCarty | 2006/0043219 A1 | 3/2006 | Raanan | |
| 7,887,664 B1 | 2/2011 | Mata | 2006/0144965 A1 | 7/2006 | Keren | |
| 7,954,732 B2 | 6/2011 | Shekalim | 2006/0163388 A1 | 7/2006 | Mari | |
| 7,988,076 B2 | 8/2011 | Mamo | 2006/0169805 A1 | 8/2006 | Dabir | |
| 8,002,496 B2 | 8/2011 | Giuffre | 2006/0186228 A1 * | 8/2006 | Belford | A01G 25/023 |
| 8,033,300 B2 | 10/2011 | McCarty | | | | 239/542 |
| D648,191 S * | 11/2011 | Thayer D23/214 | 2006/0202381 A1 | 9/2006 | Bach et al. | |
| 8,079,385 B2 | 12/2011 | Hatton | 2006/0237561 A1 | 10/2006 | Park et al. | |
| 8,091,800 B2 | 1/2012 | Retter | 2006/0255186 A1 | 11/2006 | Ruskin | |
| 8,096,491 B2 | 1/2012 | Lutzki | 2007/0095950 A1 | 5/2007 | Kim | |
| 8,136,246 B2 * | 3/2012 | So B26F 1/0053 | 2007/0108318 A1 | 5/2007 | Mamo | |
| | | 239/11 | 2007/0138323 A1 | 6/2007 | Lee | |
| | | | 2007/0187031 A1 | 8/2007 | Kertscher | |
| 8,141,589 B2 * | 3/2012 | Socolsky A01G 25/023 | 2007/0194149 A1 | 8/2007 | Mavrakis | |
| | | 138/37 | 2008/0041978 A1 | 2/2008 | Keren | |
| | | | 2008/0067266 A1 * | 3/2008 | Cohen | A01G 25/023 |
| | | | | | | 239/542 |
| D657,638 S * | 4/2012 | Einav D8/1 | 2008/0099584 A1 | 5/2008 | Raanan | |
| 8,267,115 B2 | 9/2012 | Giuffre' | 2008/0105768 A1 | 5/2008 | Kertscher | |
| 8,286,667 B2 | 10/2012 | Ruskin | 2008/0237374 A1 | 10/2008 | Belford | |
| 8,302,887 B2 | 11/2012 | Park | 2008/0257991 A1 | 10/2008 | Einav et al. | |
| 8,317,111 B2 | 11/2012 | Cohen | 2009/0020634 A1 | 1/2009 | Schweitzer | |
| 8,381,437 B2 | 2/2013 | Ciudaj | 2009/0145985 A1 | 6/2009 | Mayer | |
| 8,439,282 B2 | 5/2013 | Allen | 2009/0159726 A1 | 6/2009 | Thompson | |
| 8,454,786 B2 | 6/2013 | Guichard | 2009/0165879 A1 * | 7/2009 | Socolsky | A01G 25/023 |
| 8,469,294 B2 | 6/2013 | Mata | | | | 138/42 |
| 8,475,617 B2 | 7/2013 | Kertscher | 2009/0173811 A1 * | 7/2009 | Gorney | A01G 25/023 |
| 8,511,585 B2 | 8/2013 | Keren | | | | 239/542 |
| 8,628,032 B2 | 1/2014 | Feith | 2009/0261183 A1 | 10/2009 | Mavrakis | |
| 8,663,525 B2 | 3/2014 | Mamo | 2009/0266919 A1 | 10/2009 | Mavrakis | |
| 8,689,484 B2 | 4/2014 | Ruskin | 2009/0283613 A1 | 11/2009 | Barkai | |
| 8,714,205 B2 | 5/2014 | Loebinger | 2009/0302127 A1 * | 12/2009 | Lutzki | A01G 25/023 |
| 8,870,098 B2 | 10/2014 | Lutzki | | | | 239/11 |
| 8,882,004 B2 | 11/2014 | Gorney | 2009/0314377 A1 | 12/2009 | Giuffre | |
| 8,998,112 B2 | 4/2015 | Cohen | 2010/0096478 A1 | 4/2010 | Mamo | |
| 8,998,113 B2 | 4/2015 | Keren | 2010/0096479 A1 | 4/2010 | Mamo | |
| 9,022,059 B2 | 5/2015 | Cohen | 2010/0108785 A1 | 5/2010 | Lee | |
| 9,022,764 B2 | 5/2015 | Wisler | 2010/0126974 A1 | 5/2010 | Kertscher | |
| 9,027,856 B2 | 5/2015 | DeFrank et al. | 2010/0155508 A1 | 6/2010 | Keren | |
| D740,940 S * | 10/2015 | Fregoso D24/152 | 2010/0163651 A1 | 7/2010 | Feith | |
| 9,192,108 B2 | 11/2015 | Kertscher | 2010/0175408 A1 | 7/2010 | Korda | |
| 9,258,950 B2 | 2/2016 | Kidachi | 2010/0219265 A1 | 9/2010 | Feld | |
| 9,345,205 B2 * | 5/2016 | Kidachi A01G 25/023 | 2010/0237170 A1 | 9/2010 | Rosenberg | |
| 9,386,752 B2 * | 7/2016 | Einav A01G 25/023 | 2010/0244315 A1 | 9/2010 | Mamo | |
| 9,485,923 B2 | 11/2016 | Ensworth | 2010/0252126 A1 | 10/2010 | Roes | |
| 2002/0064935 A1 | 5/2002 | Honda | 2010/0282873 A1 | 11/2010 | Mattlin | |
| 2002/0070297 A1 | 6/2002 | Bolinis | 2011/0186652 A1 | 8/2011 | Cohen | |
| 2002/0074434 A1 | 6/2002 | Delmer | 2012/0012678 A1 | 1/2012 | Gregory | |
| 2002/0088877 A1 | 7/2002 | Bertolotti | 2012/0012682 A1 | 1/2012 | Einav | |
| 2002/0104902 A1 | 8/2002 | Eckstein et al. | 2012/0074345 A1 | 3/2012 | Hatton | |
| 2002/0104903 A1 * | 8/2002 | Eckstein A01G 25/026 | 2012/0104648 A1 | 5/2012 | Yiflach | |
| | | 239/542 | 2013/0181066 A1 | 7/2013 | Dermitzakis | |
| 2002/0113147 A1 | 8/2002 | Huntley | 2013/0248616 A1 | 9/2013 | Ensworth | |
| 2003/0029937 A1 | 2/2003 | Dermitzakis | 2013/0248622 A1 | 9/2013 | Kim | |
| 2003/0042335 A1 | 3/2003 | Krauth | 2013/0341431 A1 | 12/2013 | Ensworth | |
| 2003/0050372 A1 | 3/2003 | Stanhope | 2014/0027539 A1 | 1/2014 | Kim | |
| 2003/0057301 A1 | 3/2003 | Cohen | 2014/0034753 A1 | 2/2014 | Mavrakis | |
| 2003/0089409 A1 | 5/2003 | Morimoto | 2014/0110506 A1 | 4/2014 | Mavrakis | |
| 2003/0090369 A1 | 5/2003 | Albritton | 2014/0263758 A1 | 9/2014 | Turk | |
| 2003/0092808 A1 | 5/2003 | Stanhope | 2015/0014446 A1 | 1/2015 | Cohen | |
| 2003/0140977 A1 | 7/2003 | Berton | 2015/0041563 A1 * | 2/2015 | Ensworth | A01G 25/023 |
| 2003/0150940 A1 | 8/2003 | Vildibill | | | | 239/542 |
| 2003/0226913 A1 | 12/2003 | Brunnengraeber et al. | 2015/0041564 A1 | 2/2015 | Ensworth | |
| 2004/0018263 A1 | 1/2004 | Hashimshony | 2015/0090816 A1 | 4/2015 | Akritanakis | |
| 2004/0164185 A1 | 8/2004 | Giuffre | 2015/0107777 A1 | 4/2015 | Zakarian | |

(56)

References Cited

U.S. PATENT DOCUMENTS

| | | | |
|--------------|----|---------|-----------|
| 2015/0144717 | A1 | 5/2015 | Turk |
| 2015/0181816 | A1 | 7/2015 | Desarzens |
| 2015/0201568 | A1 | 7/2015 | Einav |
| 2015/0296723 | A1 | 10/2015 | Jain |
| 2015/0351333 | A1 | 12/2015 | Eberle |
| 2016/0057947 | A1 | 3/2016 | Ensworth |
| 2016/0075070 | A1 | 3/2016 | Verelis |
| 2016/0088806 | A1 | 3/2016 | Haub |
| 2016/0198643 | A1 | 7/2016 | Cohen |
| 2016/0219802 | A1 | 8/2016 | Ensworth |
| 2016/0219803 | A1 | 8/2016 | Keren |
| 2016/0286741 | A1 | 10/2016 | Kidachi |
| 2016/0286743 | A1 | 10/2016 | Einav |
| 2016/0309669 | A1 | 10/2016 | Kidachi |
| 2016/0330917 | A1 | 11/2016 | Kidachi |
| 2017/0035005 | A1 | 2/2017 | Kidachi |
| 2017/0035006 | A1 | 2/2017 | Kim |

FOREIGN PATENT DOCUMENTS

| | | |
|----|------------|------------|
| CN | 102057823 | 5/2011 |
| CN | 201821716 | 5/2011 |
| CN | 201871438 | 6/2011 |
| DE | 112706 | 5/1975 |
| EP | 0344605 | A2 12/1989 |
| EP | 0444425 | A1 9/1991 |
| EP | 0480632 | A2 4/1992 |
| EP | 0549515 | A1 6/1993 |
| EP | 636309 | A1 2/1995 |
| EP | 0709020 | A1 5/1996 |
| EP | 0730822 | A2 9/1996 |
| EP | 493299 | 5/1997 |
| EP | 0872172 | A1 10/1998 |
| FR | 2366790 | 5/1978 |
| GB | 1498545 | 1/1978 |
| GB | 2057960 | A 4/1991 |
| IL | 53463 | A 3/1983 |
| IL | 97564 | A 7/1996 |
| IT | 1255120 | 10/1995 |
| JP | 2000228417 | 8/2000 |
| WO | 9205689 | A1 4/1992 |
| WO | 9221228 | A1 12/1992 |
| WO | 9427728 | A1 12/1994 |
| WO | 9810635 | A1 3/1998 |
| WO | 9902273 | A1 1/1999 |
| WO | 9918771 | A1 4/1999 |
| WO | 9955141 | A1 11/1999 |
| WO | 0001219 | A1 1/2000 |
| WO | 0010378 | A1 3/2000 |
| WO | 0030760 | 6/2000 |
| WO | 0136106 | A1 5/2001 |
| WO | 0204130 | A1 1/2002 |
| WO | 2002015670 | 2/2002 |
| WO | 03045577 | A1 6/2003 |
| WO | 03066228 | A1 8/2003 |
| WO | 2004028778 | A1 4/2004 |
| WO | 2007046105 | 10/2005 |
| WO | 2006030419 | A2 3/2006 |
| WO | 2006038246 | 4/2006 |
| WO | 2007068523 | A1 6/2007 |
| WO | 2010048063 | 4/2010 |
| WO | 2011092557 | 8/2011 |
| WO | 2013148672 | 10/2013 |
| WO | 2013155173 | A1 10/2013 |
| WO | 2013192321 | 12/2013 |
| WO | 2014064452 | 5/2014 |
| WO | 2015098412 | 7/2015 |

OTHER PUBLICATIONS

Arduini, I. et al., 'Influence of Copper on Root Growth and Morphology of Pinus Pinea L. and Pinus Pinaster Ait. Seedlings', Tree Physiology, 15, 1995, pp. 411-415.

Beverage, K., 'Drip Irrigation for Row Crops', New Mexico State University, 2001, pp. 1-43.

Coder, K., 'Tree Root Growth Control Series: Root Control Barriers', The University of Georgia, Mar. 1998, pp. 1-7.

Crawford, M., 'Copper-Coated Containers and Their Impact on the Environment', Spin Out, 2003, pp. 76-78.

Crawford, M., 'Update on Copper Root Control', Spin Out, 1997.

Diver, S. et al., 'Sustainable Small-Scale Nursery Production', ATTRA, Nov. 2001, pp. 1-31.

Duke, K. et al., 'Sewer Line Chemical Root Control with Emphasis on Foaming Methods Using Metam-Sodium and Dichlobenil', EPA United States Environmental Protection Agency, Sep. 1995.

EPO Office Action for EPO Application No. 10 160 675.4-2313 mailed Mar. 27, 2012.

EPO search report, EPO Application No. 10160675.4, mailed Aug. 6, 2010.

Giles-Parker, C, EPA, Pesticide Fact Sheet, pp. 1-4.

Hetzler, Mark W., Fitch, Even, Tabin & Flannery; Letter, Apr. 23, 2008, 1 p.

<http://aasystems.eu/products11.html>; Advanced Automation Systems Ltd., (1 p., dated Jun. 20, 2013).

<http://metzerplas.com/en-US/50/845/>; Meterplas Cooperative Agricultural Organization Ltd., (2 pp., dated Jun. 20, 2013).

Jaffe, E., Netafim, Ltd., Patent Dept.; Letter with attached invoice May 7, 2008, 2 pages.

Jaffe, E., Netafim Ltd., Patent Dept.; Letter w/attached claim charts, Feb. 4, 2008, 6 pp.

Jaffe, E., Netafim Ltd., Patent Dept.; Letter w/attachment, Feb. 4, 2008, 7 pp.

Jaffe, E., Netafim Ltd., Patent Dept.; Letter w/attachment, May 7, 2008, 2 pp.

Jaffe, E., Netafim Ltd., Patent Dept.; Letter with attached claim charts, Jul. 12, 2009, 4 pages.

Jaffe, E. Netafim Ltd., Patent Dept., Letter with attached Appendices A-B, Aug. 1, 2010, 35 pages.

Jiang, W. et al., 'Effects of Copper on Root Growth, Cell Division, and Nucleolus of *Zea mays*', Biologia Plantarum, 44(1), 2001, pp. 105-109.

Kuhns, L. et al., 'Copper Toxicity in Woody Ornamentals', Journal of Arboriculture, Apr. 1976. dd. 68-78.

Nanda K. Alapati, Letter dated Mar. 30, 2012 with appendices.

Netafim International—Netafim USA—Internet site, 2003, 5 pages.

Netafim Letter dated Mar. 30, 2012 with appendices.

Netafim Ltd., Appendix A, images of Netafim's Drip Net product, 1 page.

Netafim Ltd., Appendix A, marked-up images of Netafim's Ram product, 1 p.

Netafim Ltd., Appendix B, Invoice, Jan. 31, 1991, 1 p.

Netafim Ltd., Appendix C, Netafim RAM Catalog, Jan. 2000, 4 pages.

Netafim Ltd., Appendix D, Enlarged, marked-up excerpts from Netafim RAM Catalog, Jan. 2000, 1 page.

Netafim RAM Catalog Figures.

Netafim USA, Triton X Heavywall Dripperline Catalog, May 2007, 8 pages.

Office Action, U.S. Appl. No. 12/495,178, mailed Feb. 3, 2010.

Office Action, U.S. Appl. No. 12/347,266, mailed Mar. 7, 2011.

Office Action, U.S. Appl. No. 12/347,266, mailed Nov. 17, 2010.

Office Action, U.S. Appl. No. 12/347,266, mailed Sep. 7, 2010.

Office Action, U.S. Appl. No. 12/367,295, mailed Feb. 11, 2011.

Office Action, U.S. Appl. No. 12/367,295, mailed Jul. 15, 2011.

Office Action, U.S. Appl. No. 12/495,193, mailed May 11, 2011.

Office Action, U.S. Appl. No. 11/394,755, Mailed Feb. 7, 2008.

Office Action, U.S. Appl. No. 11/394,755, Mailed Mar. 31, 2009.

Office Action, U.S. Appl. No. 11/394,755, Mailed May 12, 2011.

Office Action, U.S. Appl. No. 11/394,755, Mailed Jul. 17, 2007.

Office Action, U.S. Appl. No. 11/394,755, Mailed Jul. 17, 2009.

Office Action, U.S. Appl. No. 11/394,755, mailed Aug. 14, 2008.

Office Action dated Apr. 18, 2014 for U.S. Appl. No. 12/495,178.

Office Action dated Apr. 18, 2014 for U.S. Appl. No. 12/495,193.

Office Action dated Jun. 12, 2012, for U.S. Appl. No. 12/495,178, filed Jun. 30, 2009.

(56)

References Cited

OTHER PUBLICATIONS

- Patent Cooperation Treaty, International Searching Authority, Notification of Transmittal of the International Search Report and the Written Opinion of the International Searching Authority, or the Declaration, issued in International Application No. PCT/US2013/033866, Jun. 17, 2013, 10 pp.
- PCT; App. No. PCT/US2013/033866; International Search Report and Written Opinion mailed Jun. 19, 2013.
- PCT Application No. PCT/US13/33866 dated Mar. 26, 2013.
- Rain Bird Corporation, Drip Watering System 1994 Catalog, 1993, 16 pages.
- Rain Bird Corporation, Landscape Irrigation Products 1993-1994 Catalog, p. 120, Feb. 1993, 3 pages.
- Rain Bird Corporation, Landscape Irrigation Products 2001-2002 Catalog, pp. 181-184, Mar. 2001, 6 pages.
- Rain Bird Corporation, Landscape Irrigation Products 2005-2006 Catalog, pp. 230-232; 247-250, Jun. 2004, 10 pages.
- Rain Bird Corporation, Landscape Irrigation Products 2006-2007 Catalog, p. 222-224; 238-242, Jul. 2005, 11 pages.
- Rain Bird Corporation, PC Dripline Pressure Compensating Inline Emitter Tubing Catalog, Oct. 1998, 16 pages.
- Rain Bird Corporation, Turf Irrigation Equipment 1985 Catalog, p. 73, 1985, 3 pages.
- RAM Invoice Jan. 31, 1991.
- Smiley, E. T., 'Root Growth Near Vertical Root Barriers', International Society of Arboriculture, 1995, pp. 150-152.
- The Clean Estuary Partnership, 'Copper Sources in Urban Runoff and Shoreline Activities', TDC Environmental, LLC, 2004, pp. 1-72.
- U.S. Appl. No. 11/359,181, filed Feb. 22, 2006 and issued on Jan. 19, 2010 as U.S. Pat. No. 7,648,085, entitled 'Drip Emitter'.
- U.S. Appl. No. 12/347,266, filed Dec. 31, 2008, entitled 'Low Flow Irrigation Emitter'.
- U.S. Appl. No. 12/367,295, filed Feb. 6, 2009, entitled 'Low Flow Irrigation Emitter'.
- U.S. Appl. No. 12/436,394, filed May 6, 2009, entitled 'Drip Emitter and Methods of Assembly and Mounting'.
- U.S. Appl. No. 12/495,178, filed Jun. 30, 2009, entitled 'Drip Emitter'.
- U.S. Appl. No. 13/430,249, filed Mar. 26, 2012.
- U.S. Appl. No. 13/964,903, filed Aug. 12, 2013.
- U.S. Appl. No. 14/139,217, filed Dec. 23, 2013.
- U.S. Appl. No. 11/394,755, filed Mar. 31, 2006, entitled "Drip Emitter".
- U.S. Appl. No. 12/495,193, filed Jun. 30, 2009, entitled 'Drip Emitter,' which is a continuation of U.S. Appl. No. 11/359,181.
- U.S. Appl. No. 12/495,178; Office Action mailed Nov. 18, 2014.
- U.S. Appl. No. 12/495,178; Office Action mailed Apr. 18, 2014.
- U.S. Appl. No. 12/495,193; Office Action mailed Apr. 18, 2014.
- USPTO Advisory Action in U.S. Appl. No. 12/495,193 mailed Sep. 5, 2013.
- USPTO Office Action in U.S. Appl. No. 12/495,193, mailed on Jan. 6, 2012.
- USPTO Office Action in U.S. Appl. No. 11/394,755, mailed on Dec. 19, 2011.
- USPTO Office Action in U.S. Appl. No. 12/367,295, mailed on Jun. 8, 2012.
- USPTO Office Action in U.S. Appl. No. 12/495,178, mailed on Jun. 21, 2012.
- USPTO Office Action in U.S. Appl. No. 12/495,193 mailed Jun. 18, 2013.
- Wagar, et al., "Effectiveness of Three Barrier Materials for Stopping Regenerating Roots of Established Trees", Journal of Arboriculture, 19(6), Nov. 1993, pp. 332-338.
- Westgate, P., 'Preliminary Report on Copper Toxicity and Iron Chlorosis in Old Vegetable Fields', Florida State Horticultural Society, 1952, pp. 143-146.
- State Intellectual Property Office, First Office Action issued in Chinese Application No. 201380016629.9, Nov. 4, 2015, 16 pp.
- Patent Cooperation Treaty, International Search Report issued in International Application No. PCT/US2013/046603, Sep. 19, 2013, 2 pp.
- Patent Cooperation Treaty, International Searching Authority, Notification of Transmittal of the International Search Report and the Written Opinion of the International Searching Authority, or the Declaration, issued in International Application No. PCT/US2014/050623, Nov. 20, 2014, 17 pp.
- Patent Cooperation Treaty, International Searching Authority, Written Opinion of the International Searching Authority, issued in International Application No. PCT/US2013/046603, Sep. 19, 2013, 4 pp.
- United States Patent and Trademark Office, Non-final Office Action issued in U.S. Appl. No. 13/800,354, mailed Sep. 25, 2014, 13 pp.
- U.S. Appl. No. 12/495,193; Office Action mailed Jan. 15, 2015.
- U.S. Appl. No. 13/430,249; Office Action mailed Mar. 24, 2015.
- U.S. Appl. No. 13/964,903; Office Action mailed Jun. 3, 2015.
- U.S. Appl. No. 14/139,217; Office Action mailed Apr. 8, 2015.
- European Patent Office, Extended European Search Report issued in Application No. 13770084.5, Feb. 11, 2016, 7 pp.
- Arduini, I. et al., "Influence of Copper on Root <http://syncids.com/IDSgraphics/OtherDocumentGuessBackgroundOrange.gif> Growth and Morphology of Pinus Pinea L. and Pinus Pinaster Ait. Seedlings", Tree Physiology, 15, 1995, pp. 411-415.
- Bernard, H., et al., Assessment of herbicide leaching risk in two tropical soils of Reunion Island (France), J Environ Qual 34:534-543, (2005).
- Borkow, G., et al., "A Novel Anti-Influenza Copper Oxide Containing Respiratory Face Mask", PLoS One, www.plosone.org, Jun. 2010, vol. 5, Issue 6, pp. 1-8.
- Borkow, G., et al., "Copper as a Biocidal Tool", Current Medicinal Chemistry, 2005, 12, 2163-2175.
- Borkow, G., et al., "Endowing Textiles with Permanent Potent Biocidal Properties by Impregnating Them with Copper Oxide", ResearchGate, Jan. 2006.
- Borkow, G., et al., "Putting copper into action:copperimpregnated products with potent biocidal activities", FASEB J, 18:1728-1730, (2004).
- Eason, Audra, et al., "Integrated modeling environment for state-wide assessment of groundwater vulnerability from pesticide use in agriculture", Pest Manag Sci, 60:739-745 (online:2004).
- Mastin, BJ, et al., "Toxicity and bioavailability of copper herbicides (Clearigate, Cutrine-Plus, and copper sulfate) to freshwater animals", Arch Environ Contam Toxicol, 39:445-451, (2000).
- Murray-Gulde, CL, et al., "Algicidal effectiveness of Clearigate, Cutrine-Plus, and copper sulfate and margins of safety associated with their use", Arch Environ Contam Toxicol 42:19-27, (2002).
- Netafim Ltd., Inhibition of root penetration in subsurface driplines by impregnating the drippers with copper oxide particles.
- Spera, G., et al., Subsurface drip irrigation with micro-encapsulated trifluralin. Trifluralin residues in soils and cultivations. Commun Agric Appl Biol Sci 71:161-170, (2006).
- U.S. Appl. No. 12/495,178; Office Action mailed Mar. 11, 2015.
- U.S. Appl. No. 12/495,178; Office Action mailed Oct. 6, 2015.
- U.S. Appl. No. 13/430,249; Office Action mailed Oct. 26, 2015.
- U.S. Appl. No. 14/047,489; Office Action mailed Jun. 29, 2015.
- U.S. Appl. No. 14/047,489; Office Action mailed Oct. 7, 2015.
- U.S. Appl. No. 14/139,217; Office Action mailed Sep. 18, 2015.
- U.S. Appl. No. 12/495,193; Office Action mailed Oct. 1, 2015.
- European Patent Office, Extended European Search Report for European Application No. 13770084.5 mailed Feb. 11, 2016, 7 pp.
- Rain Bird Corporation, Agriculture Irrigation Equipment 1981 Catalog, 1979, 3 pp.
- Rain Bird Corporation, Landscape Irrigation Products 1993-1994 Catalog, Feb. 1993, 5 pp.
- Rain Bird Corporation, Landscape Irrigation Products 2001-2001 Catalog, Mar. 2001, 9 pp.
- Rain Bird Corporation, Landscape Irrigation Products 2005-2006 Catalog, Jun. 2004, 13 pp.
- Rain Bird Corporation, Nursery Equipment Catalog 1986/1987, 1986, 3 pp.
- Rain Bird Corporation, Turf Irrigation Equipment 1982 Catalog, 1982, 4 pp.

(56)

References Cited

OTHER PUBLICATIONS

Rain Bird Corporation, Turf Irrigation Equipment 1983 Catalog, 1983, 4 pp.
 Rain Bird Corporation, Turf Irrigation Equipment 1985 Catalog, 1985, 3 pp.
 Rain Bird Corporation, Turf Irrigation Equipment 1987 Catalog, 1987, 6 pp.
 U.S. Appl. No. 13/839,726; Notice of Allowance mailed Dec. 1, 2016; 5 pp.
 U.S. Appl. No. 12/495,193; Notice of Allowance mailed Oct. 14, 2016.
 U.S. Appl. No. 13/430,249; Notice of Allowance dated Apr. 14, 2016.
 U.S. Appl. No. 13/430,249; Notice of Allowance mailed Sep. 19, 2016.
 U.S. Appl. No. 13/839,726; Notice of Allowance mailed Aug. 15, 2016.
 U.S. Appl. No. 13/839,726; Notice of Allowance mailed Dec. 31, 2015.
 U.S. Appl. No. 13/839,726; Office Action mailed Apr. 26, 2016.
 U.S. Appl. No. 13/839,726; Office Action mailed May 28, 2015.
 U.S. Appl. No. 13/964,903; Office Action mailed Mar. 7, 2016.
 U.S. Appl. No. 14/385,564; Office Action mailed Aug. 10, 2016.
 U.S. Appl. No. 14/475,435; Office Action mailed Jul. 20, 2016.
 U.S. Appl. No. 13/964,903; Office Action mailed Oct. 31, 2016.
 Rain Bird Corporation, Landscape Irrigation Products 2005-2006 Catalog, Jun 2004, 13 pp.
 USPTO; U.S. Appl. No. 12/495,193; Notice of Allowance dated Feb. 10, 2017.
 USPTO; U.S. Appl. No. 13/839,726; Office Action dated Mar. 20, 2017.
 USPTO; U.S. Appl. No. 14/385,564; Office Action dated Mar. 10, 2017.
 USPTO; U.S. Appl. No. 14/475,435; Office Action dated Jan. 26, 2017.
 European Patent Office, Extended European Search Report issued in Application No. 13768209.2, dated Nov. 24, 2015, 10 pp.

Final Office Action dated Aug. 25, 2015; U.S. Appl. No. 13/430,308, 11 pages.
 Final Office Action dated Jul. 21, 2016; U.S. Appl. No. 13/430,308, 9 pages.
 Non-Final Office Action dated Feb. 11, 2016; U.S. Appl. No. 13/430,308, 9 pages.
 Patent Cooperation Treaty, International Searching Authority, Notification of Transmittal of the International Search Report and the Written Opinion of the International Searching Authority, or the Declaration, issued in International Application No. PCT/US/2014/054533, dated Dec. 25, 2014, 9 pp.
 USPTO; U.S. Appl. No. 14/036,881; Corrected Notice of Allowability dated May 22, 2017.
 USPTO; U.S. Appl. No. 14/036,881; Notice of Allowance dated May 8, 2017.
 USPTO; U.S. Appl. No. 14/036,881; Notice of Allowance dated Dec. 23, 2016.
 USPTO; U.S. Appl. No. 14/036,881; Office Action dated Aug. 2, 2016.
 USPTO; U.S. Appl. No. 14/036,881; Office Action dated Dec. 9, 2015.
 USPTO; U.S. Appl. No. 15/331,407; Office Action dated Apr. 27, 2017.
 European Patent Office, Communication Pursuant to Article 94(3) EPC issued in European Application No. 14 836 360.9, dated Feb. 8, 2017, 7 pp.
 USPTO; U.S. Appl. No. 13/839,726; Office Action dated May 30, 2017; (4 pages).
 USPTO; U.S. Appl. No. 14/910,573; Office Action dated Jun. 27, 2017; (10 pages).
 USPTO; U.S. Appl. No. 14/851,545; Office Action dated Apr. 24, 2017.
 USPTO; U.S. Appl. No. 15/344,843; Office Action dated Apr. 28, 2017.
 USPTO; U.S. Appl. No. 12/495,193; Notice of Allowance dated May 4, 2017.
 USPTO; U.S. Appl. No. 14/518,774; Office Action dated May 10, 2017.

* cited by examiner

FIG. 1

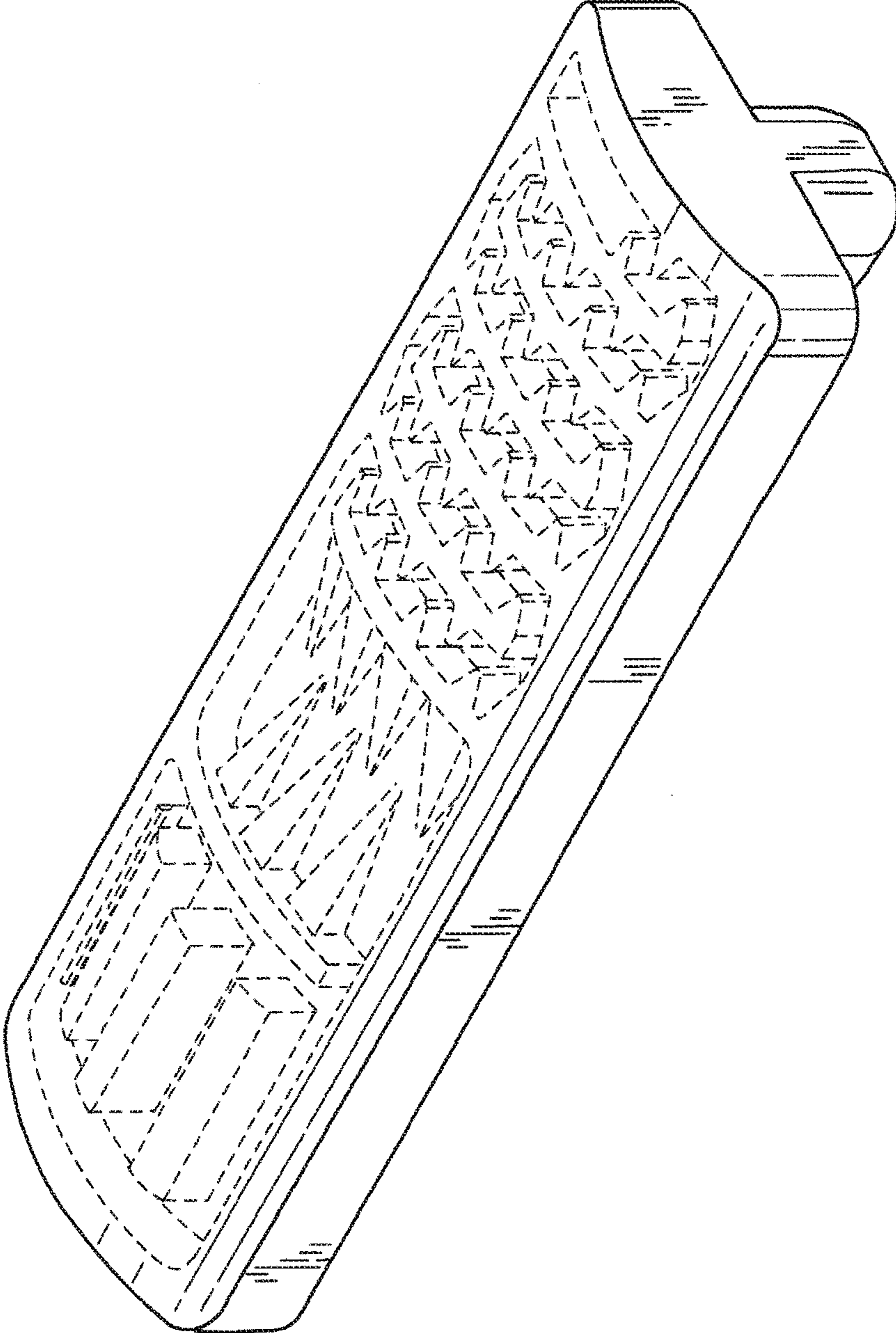


FIG. 2

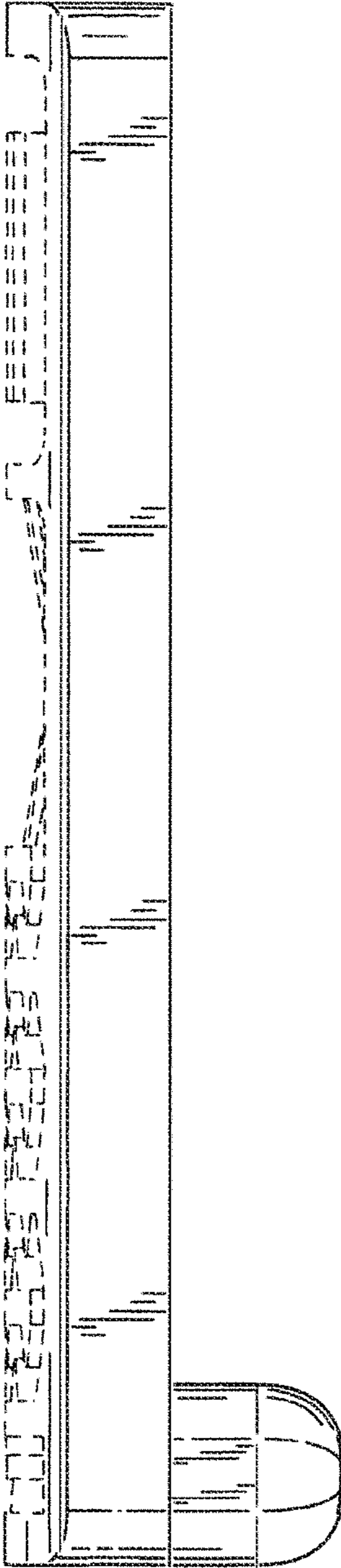


FIG. 3

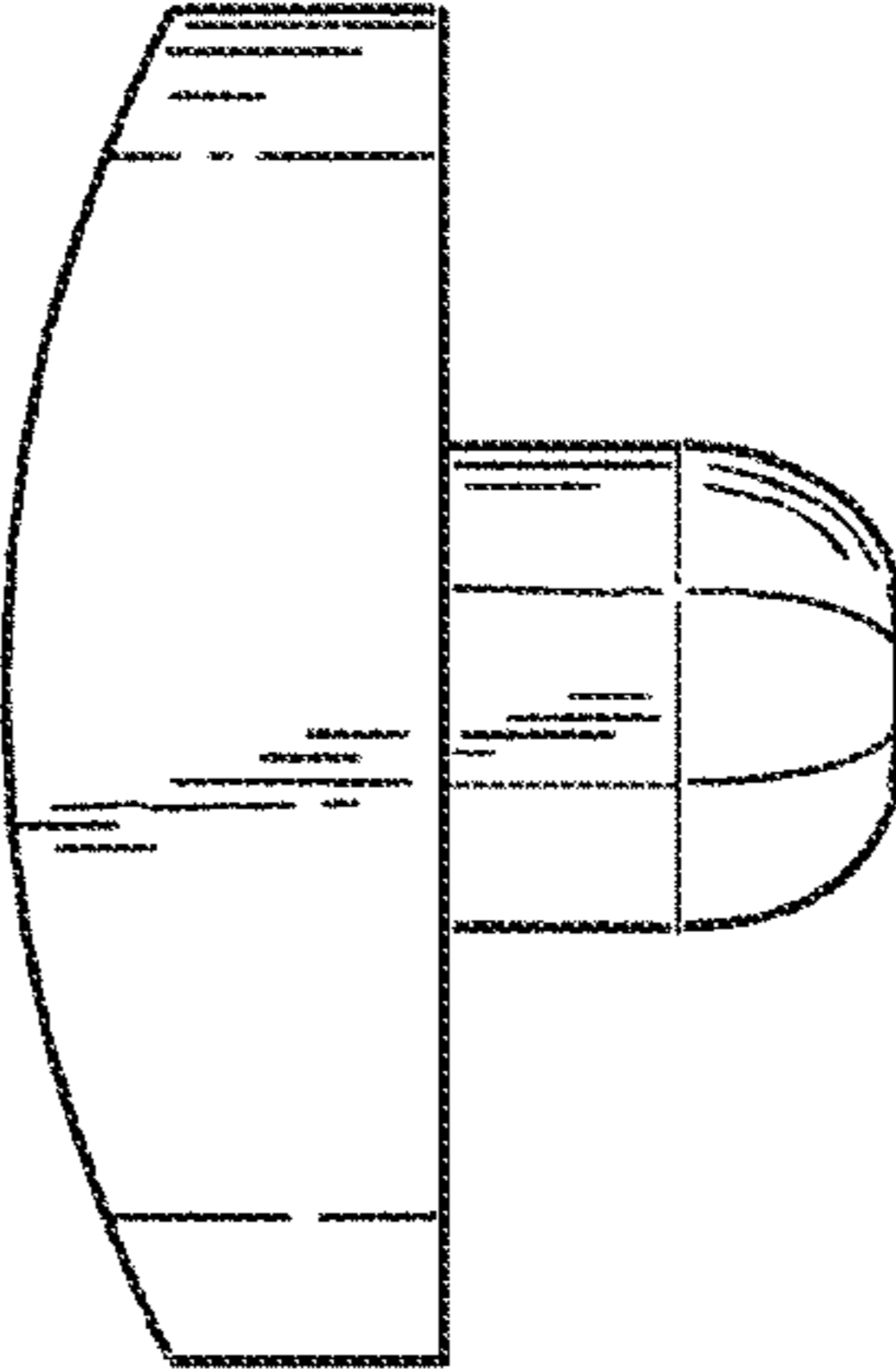


FIG. 4

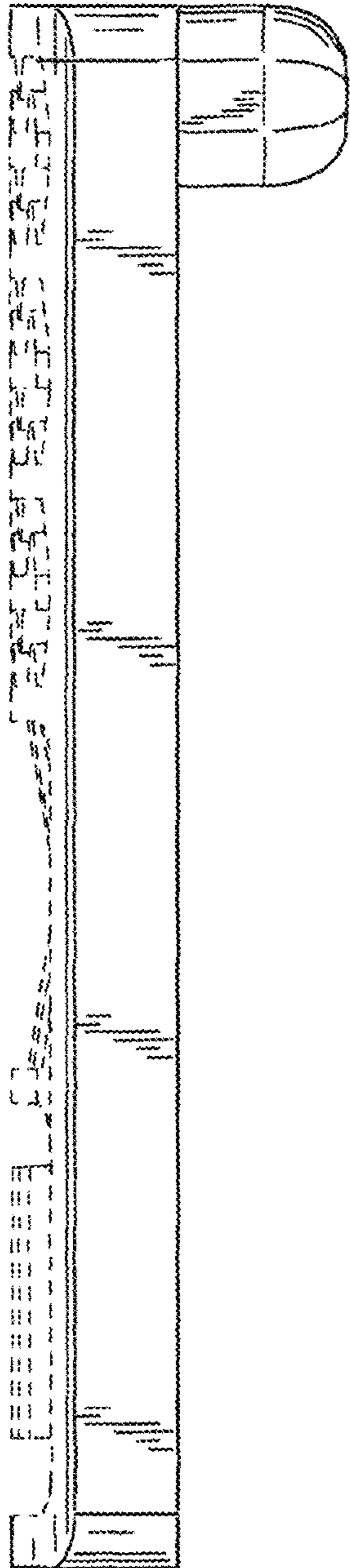


FIG. 5

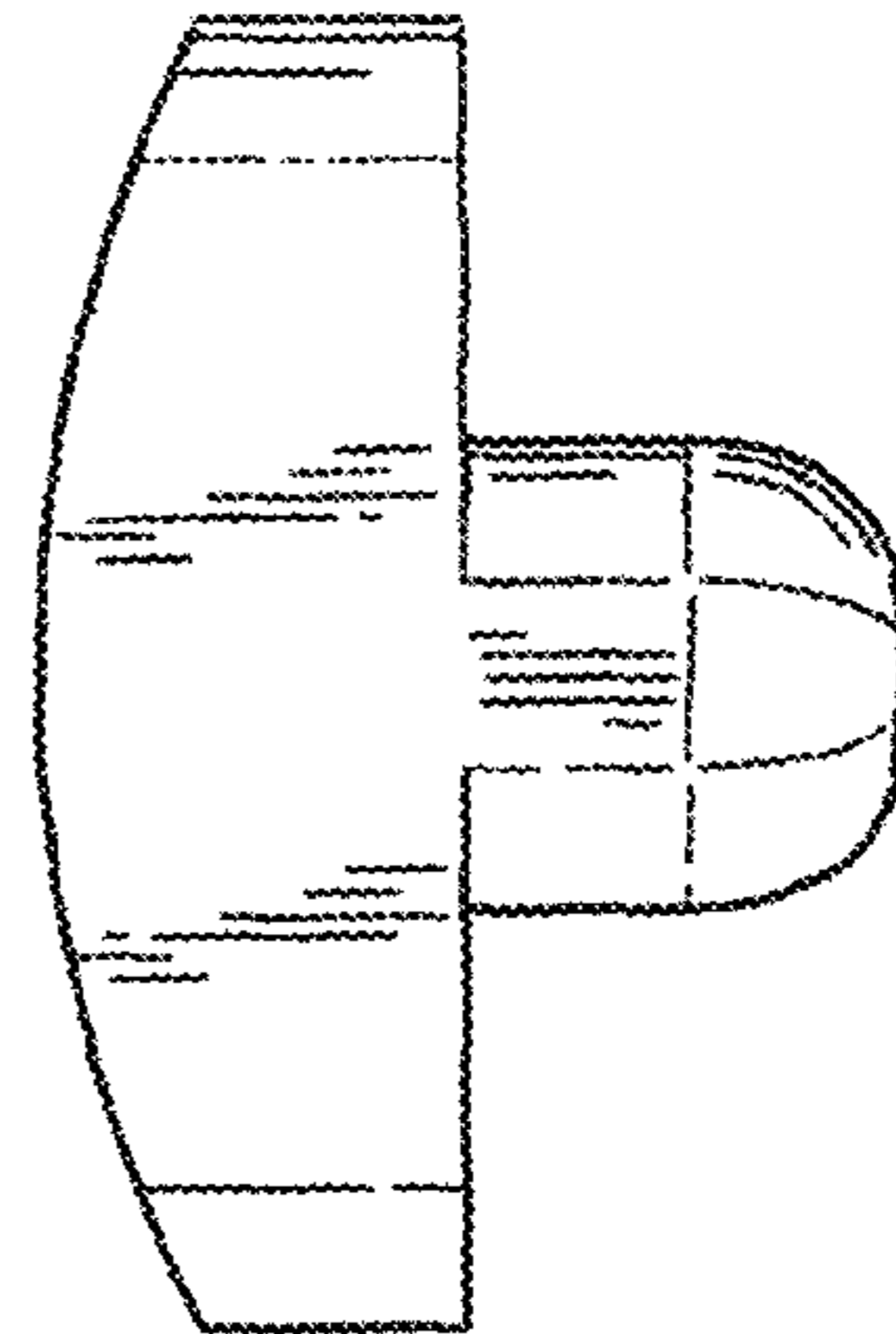


FIG. 6

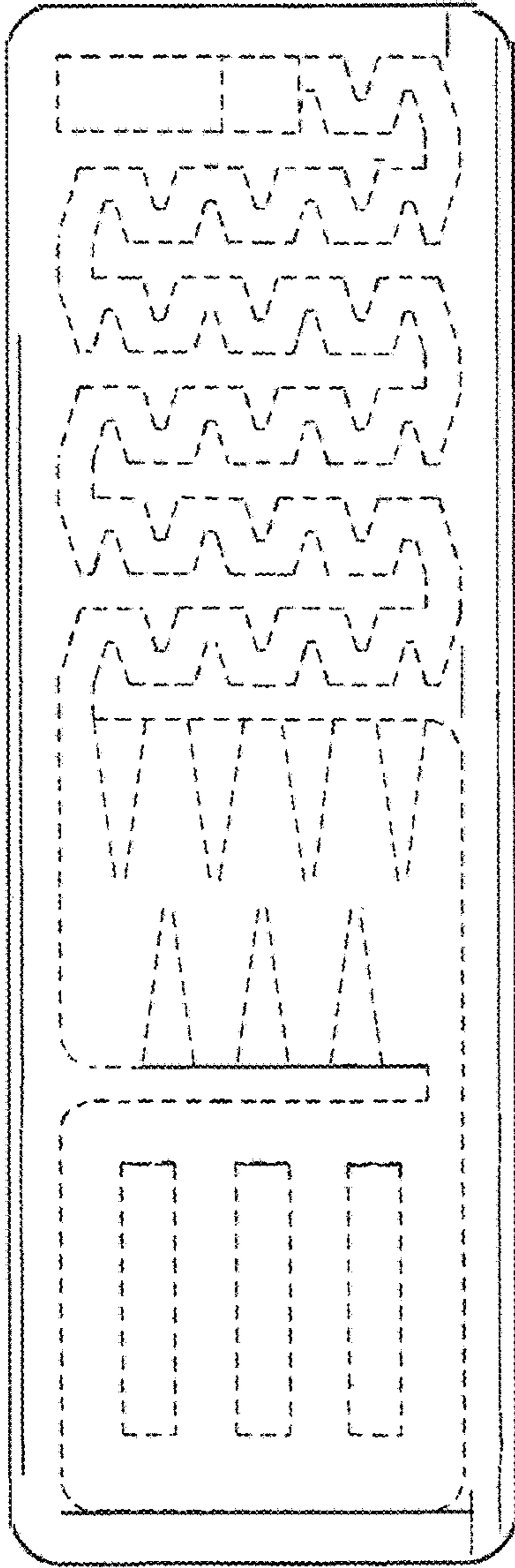


FIG. 7

