



US00D811176S

(12) **United States Design Patent** (10) **Patent No.:** **US D811,176 S**  
**Paulick** (45) **Date of Patent:** **\*\* Feb. 27, 2018**

(54) **WINE RACK** 4,660,727 A \* 4/1987 Levine ..... A47B 73/006  
211/74  
(71) Applicant: **WineHive, Inc.**, San Luis Obispo, CA 4,795,038 A 1/1989 Johnson  
(US) 6,435,355 B1 8/2002 Brown  
7,131,544 B1 11/2006 Cunningham  
(72) Inventor: **John F. Paulick**, San Luis Obispo, CA D569,655 S \* 5/2008 Williams ..... D6/682.2  
(US) D701,436 S 3/2014 Paulick  
D701,675 S 4/2014 Waldman  
D731,866 S 6/2015 Paulick  
(73) Assignee: **WINEHIVE, INC.** 2013/0341295 A1 12/2013 Dixon  
2015/0076091 A1\* 3/2015 Lee ..... A47B 73/006  
211/85.4  
(\*\*) Term: **15 Years**

FOREIGN PATENT DOCUMENTS

(21) Appl. No.: **29/553,234**  
(22) Filed: **Jan. 29, 2016**  
(51) **LOC (11) Cl.** ..... **06-04**  
(52) **U.S. Cl.**  
USPC ..... **D7/701**  
(58) **Field of Classification Search**  
USPC ..... D7/701-708, 619.1-625; D6/675.2,  
D6/675.5, 676.5, 677, 677.5, 678, 678.4,  
D6/680, 680.3  
CPC ..... A47B 73/006; A47B 73/00; A47F 7/0035;  
A47F 7/17  
See application file for complete search history.

CN 2546363 4/2003  
CN 201536810 8/2010

\* cited by examiner

*Primary Examiner* — Terry A Wallace  
(74) *Attorney, Agent, or Firm* — The Belles Group, P.C.

(57) **CLAIM**

I claim the ornamental design for a wine rack, as shown and described.

**DESCRIPTION**

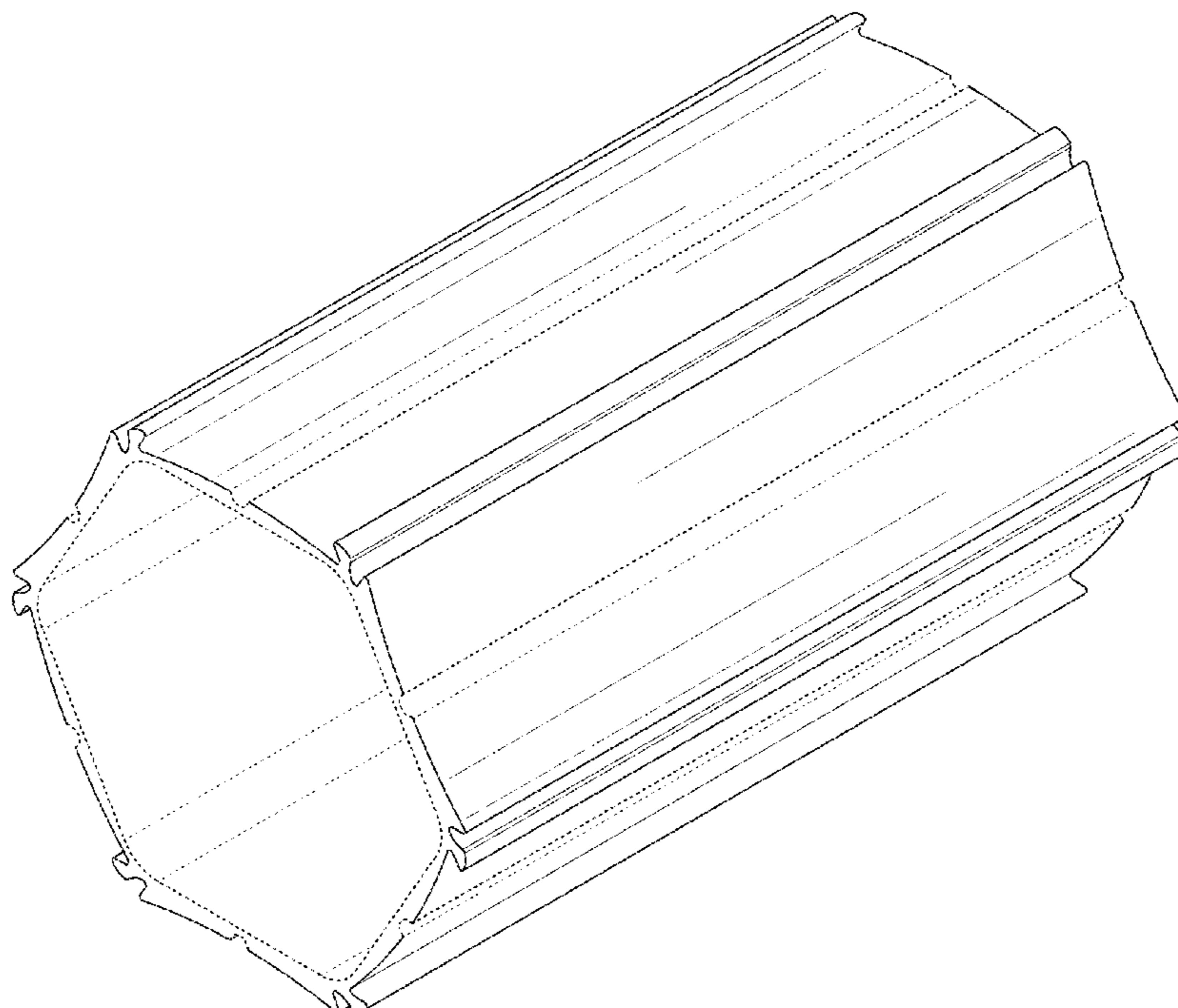
FIG. 1 is a perspective view of a wine rack in accordance with the present design;  
FIG. 2 is a front view thereof, the rear view being a mirror image of the front view;  
FIG. 3 is a top view thereof;  
FIG. 4 is a bottom view thereof; and,  
FIG. 5 is a right-side view thereof, the left-side view being a mirror image of the right-side view.  
The broken lines in the figures illustrate portions of the article that form no part of the claimed design.

(56) **References Cited**

U.S. PATENT DOCUMENTS

3,746,178 A \* 7/1973 Wagschal ..... A47B 73/006  
211/194  
4,270,662 A \* 6/1981 Gonzalez ..... A47B 47/0058  
211/186  
4,422,555 A \* 12/1983 Jacobs ..... A47B 73/006  
211/189  
4,567,989 A 2/1986 Hurst, Jr.

**1 Claim, 5 Drawing Sheets**



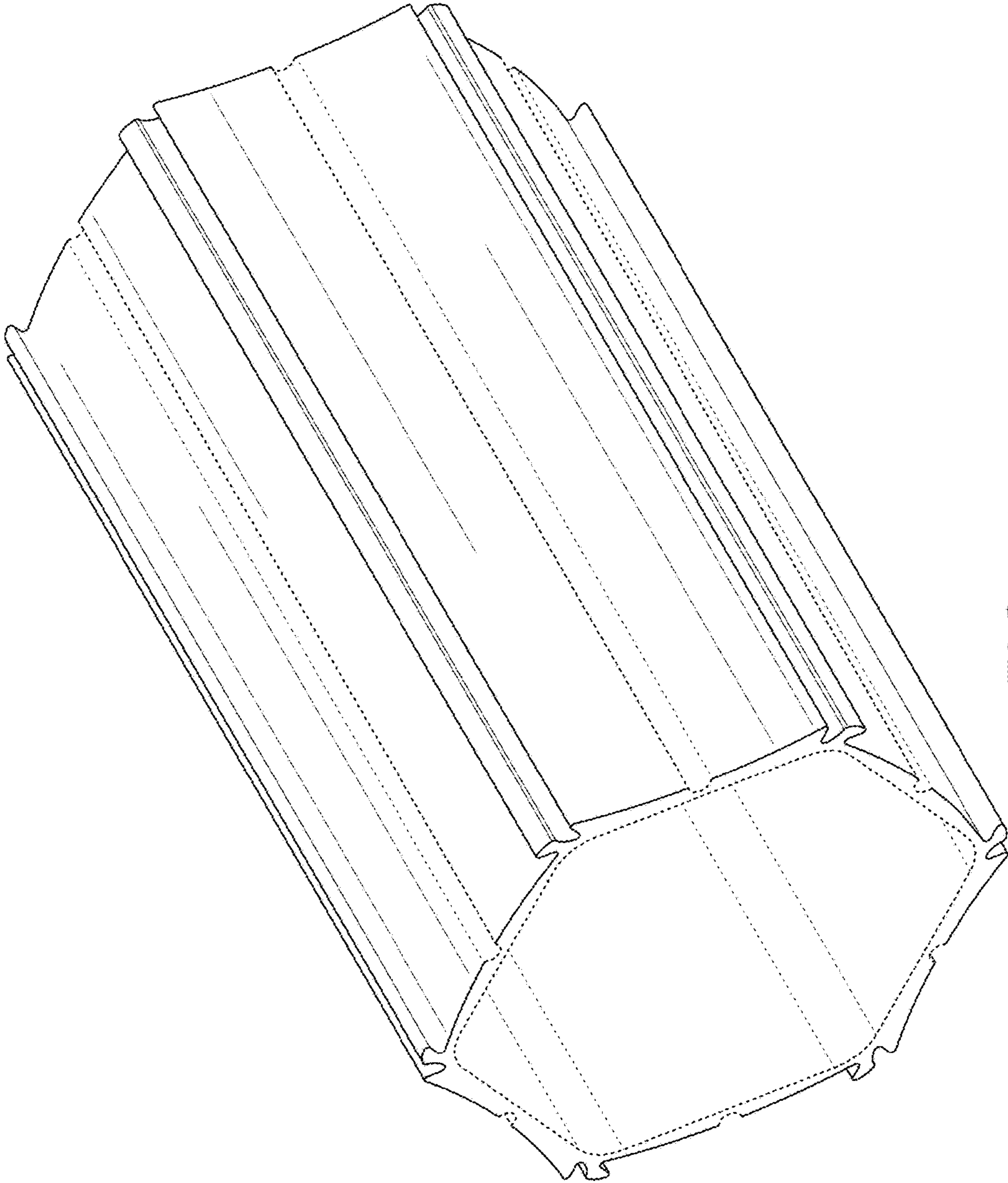


FIG. 1

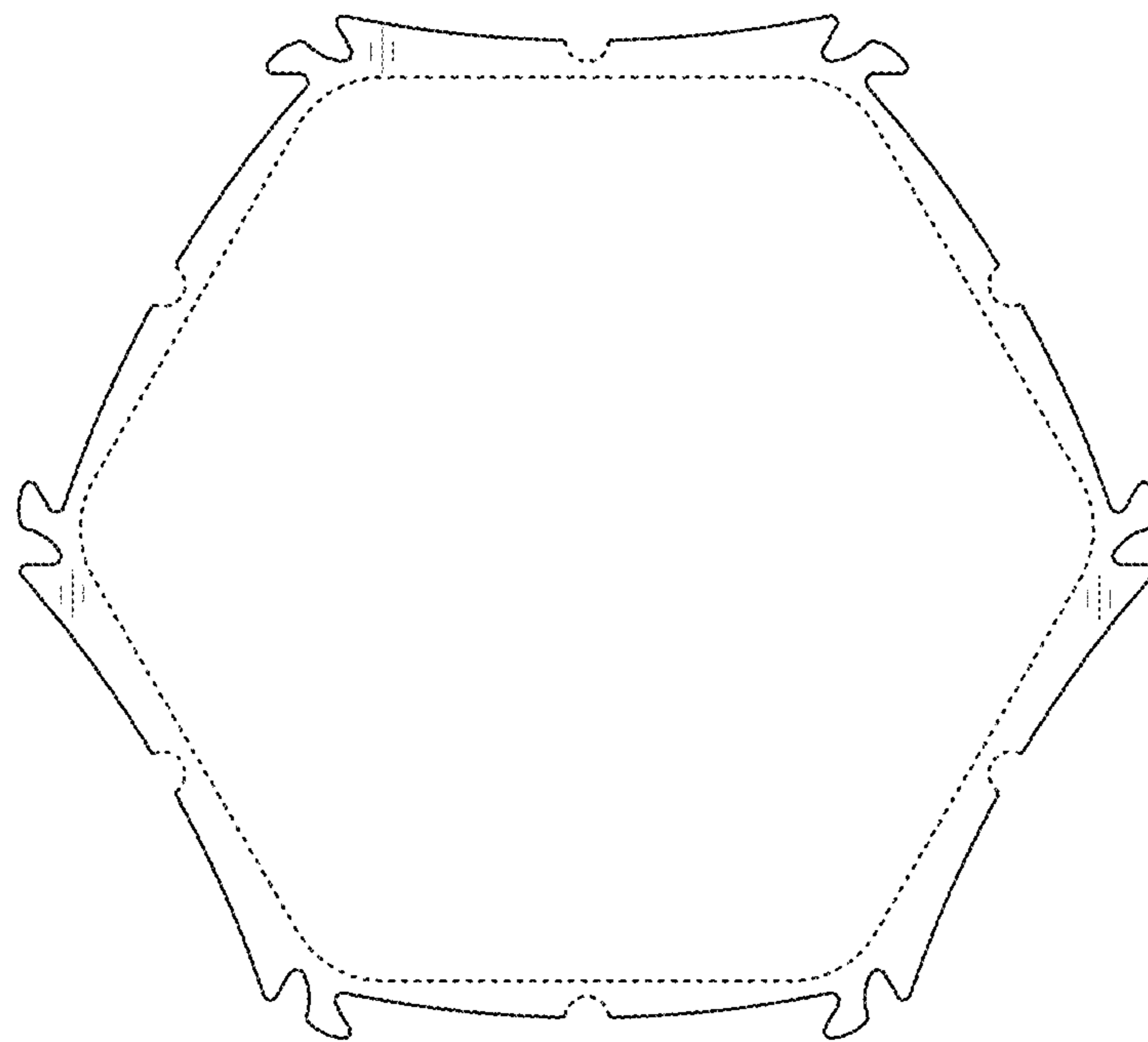


FIG. 2

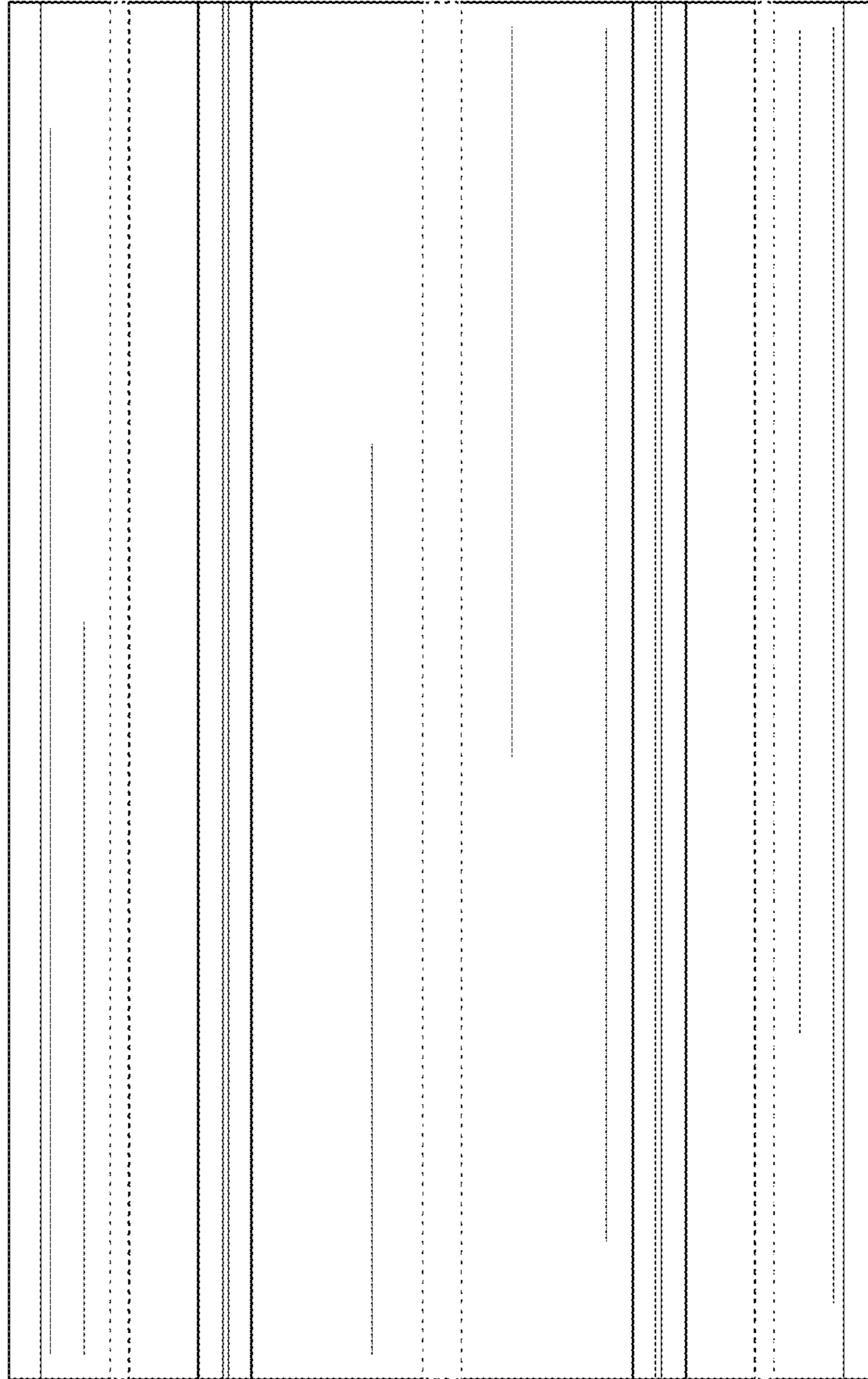


FIG. 3

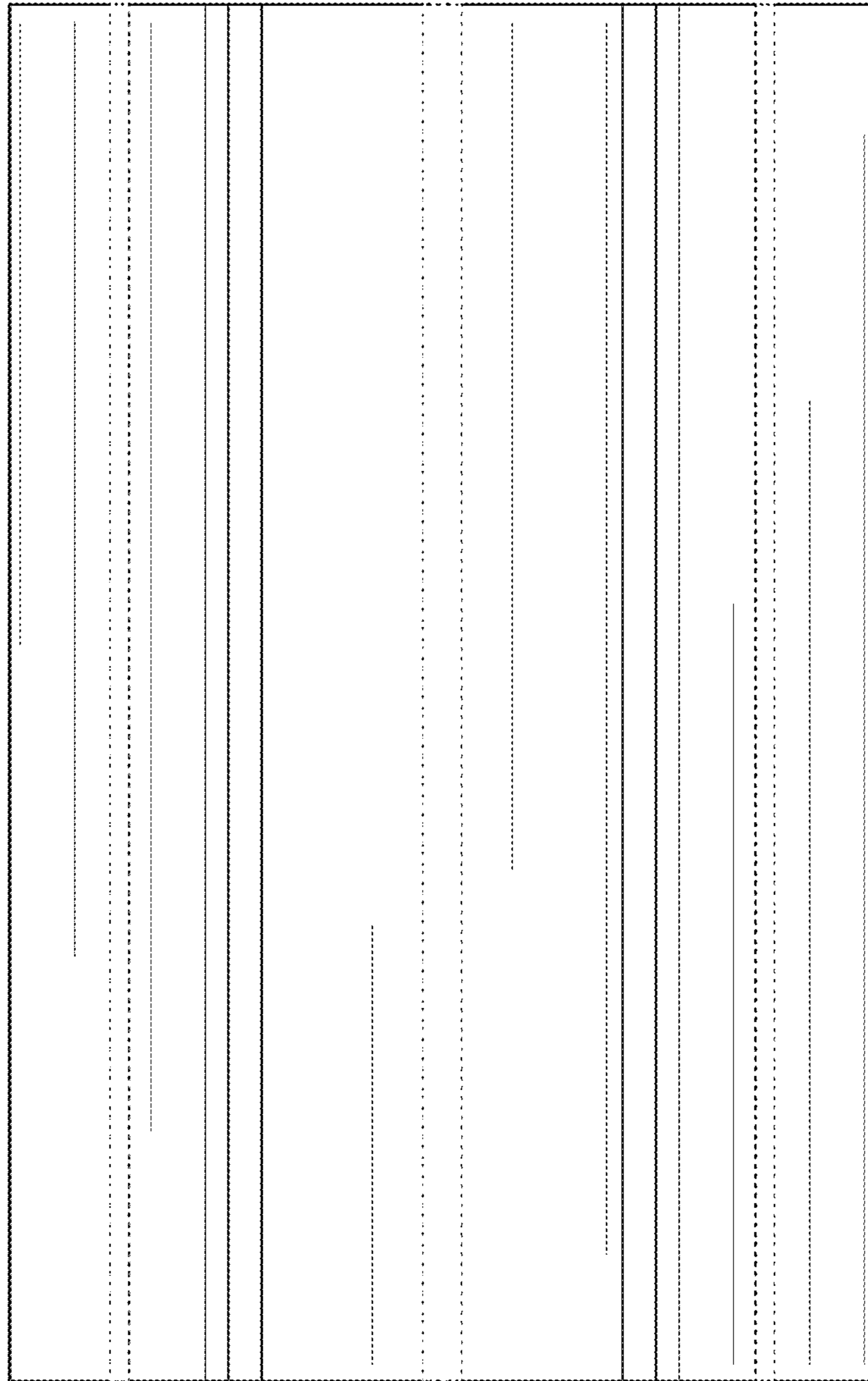


FIG. 4

