



US00D811175S

(12) **United States Design Patent**
Labbee et al.

(10) **Patent No.:** **US D811,175 S**
(45) **Date of Patent:** **** Feb. 27, 2018**

(54) **TONGS**

D711,696 S * 8/2014 Difante D7/686
D711,697 S * 8/2014 Delgado Carmona D7/686
D724,395 S * 3/2015 Goldy D7/686

(71) Applicants: **Matthias Labbee**, Quebec (CA);
Jonathan Labbee, St-Lazare (CA);
Nicolas Gosselin, Quebec (CA)

(72) Inventors: **Matthias Labbee**, Quebec (CA);
Jonathan Labbee, St-Lazare (CA);
Nicolas Gosselin, Quebec (CA)

(**) Term: **15 Years**

(21) Appl. No.: **29/572,726**

(22) Filed: **Jul. 29, 2016**

(51) **LOC (11) Cl.** **07-06**

(52) **U.S. Cl.**
USPC **D7/686**

(58) **Field of Classification Search**
USPC D7/300.2, 368, 376, 642, 653, 669,
D7/680-683, 685, 686, 688, 690, 696;
D8/6; D32/40, 46, 51, 52
CPC B23D 63/023; C03B 35/20
See application file for complete search history.

(56) **References Cited**

U.S. PATENT DOCUMENTS

D189,488 S	*	12/1960	Page	294/106
D313,537 S	*	1/1991	Chisholm	D7/686
D341,998 S	*	12/1993	Tanfoglio	D7/686
D406,734 S	*	3/1999	Doherty	D7/686
D442,835 S	*	5/2001	Kaposi	D7/686
D475,585 S	*	6/2003	Chen	D7/686
D505,599 S	*	5/2005	Fiedeler	D7/686
D531,463 S	*	11/2006	Jarvis	D7/686
D606,815 S	*	12/2009	Gallop	D7/686
D628,029 S	*	11/2010	Rothman	D7/686
D660,101 S	*	5/2012	Serrano	D7/685
D673,819 S	*	1/2013	Staib	D7/686
D692,284 S	*	10/2013	Horito	D7/686

OTHER PUBLICATIONS

Amazon.Stainless Steel Salad Kitchen Tongs.Mar. 28, 2017 [earliest online date],[site visited Jun. 14, 2017]. <URL:https://www.amazon.com/gp/product/B01MCW3JXL/ref=s9_acsd_top_hd_bw_b1DOC_c_x_6_w?pf_rd_m=ATVVKIKX0DER&pf_rd_s=merchandised-search-4&pf_rd_r=CET8QESJ1GV7RNW40685&pf_rd_t=101&pf_rd_p=3e695547-9882-5bfd-88b2-f37de9ec4956&pf_rd_i=289800>.*

* cited by examiner

Primary Examiner — Robert M. Spear
Assistant Examiner — Darcey E Heflin
(74) *Attorney, Agent, or Firm* — BCF LLP

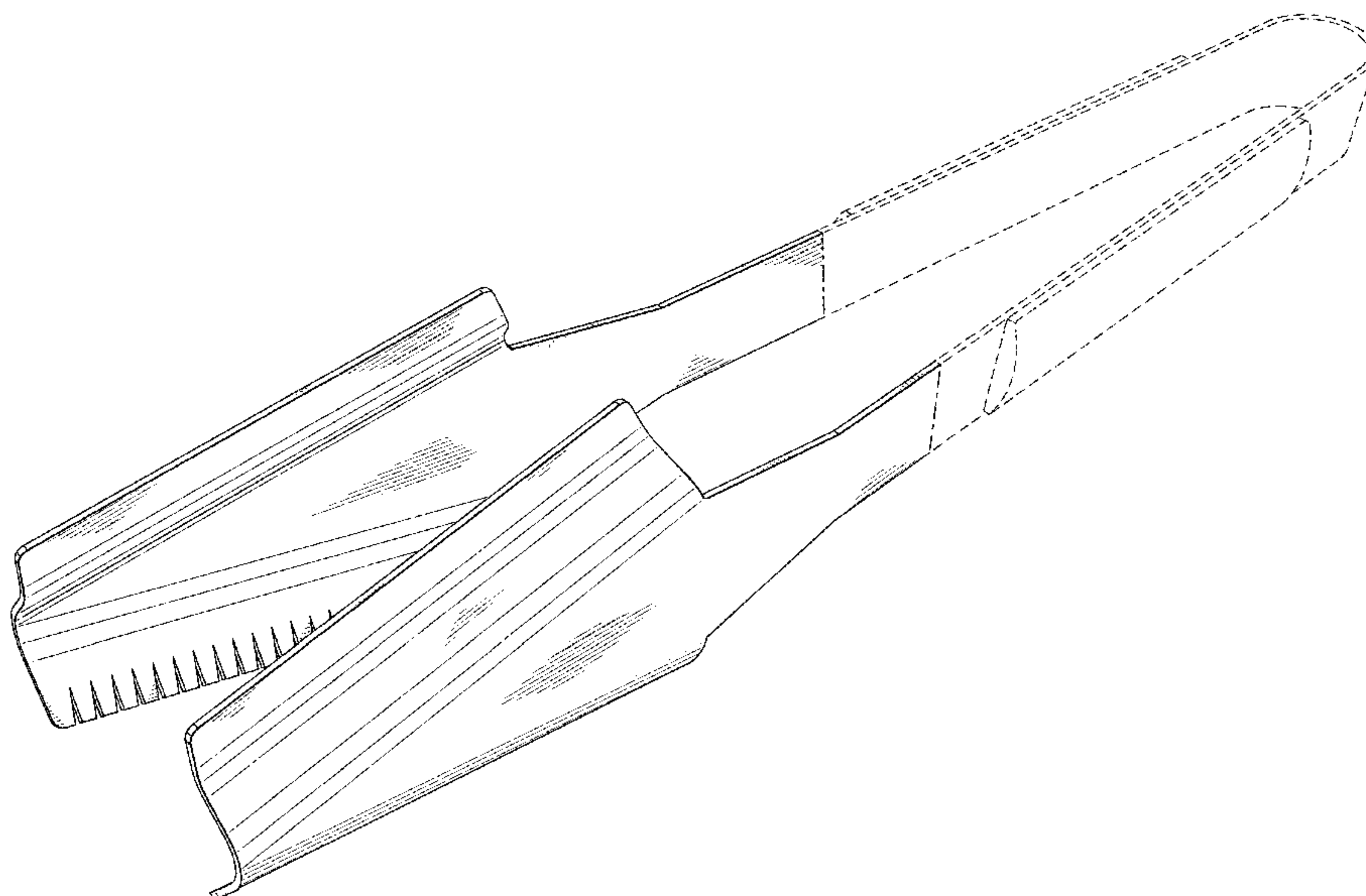
(57) **CLAIM**

The ornamental design for tongs, as shown and described.

DESCRIPTION

FIG. 1 is a top, front, and left side perspective view of tongs according to our design;
FIG. 2 is a bottom, front, and left side perspective view thereof;
FIG. 3 is a left side elevation view thereof;
FIG. 4 is a bottom plan view thereof;
FIG. 5 is a right side elevation view thereof;
FIG. 6 is a top plan view thereof;
FIG. 7 is a rear elevation view thereof; and,
FIG. 8 is front elevation view thereof.
Throughout the Figures, where shown, (i) the dashed lines showing additional structure of the tongs depict environment and form no part of the claimed design, and (ii) the dotted/dashed lines illustrate unclaimed boundaries of surfaces claimed as part of the design.

1 Claim, 8 Drawing Sheets



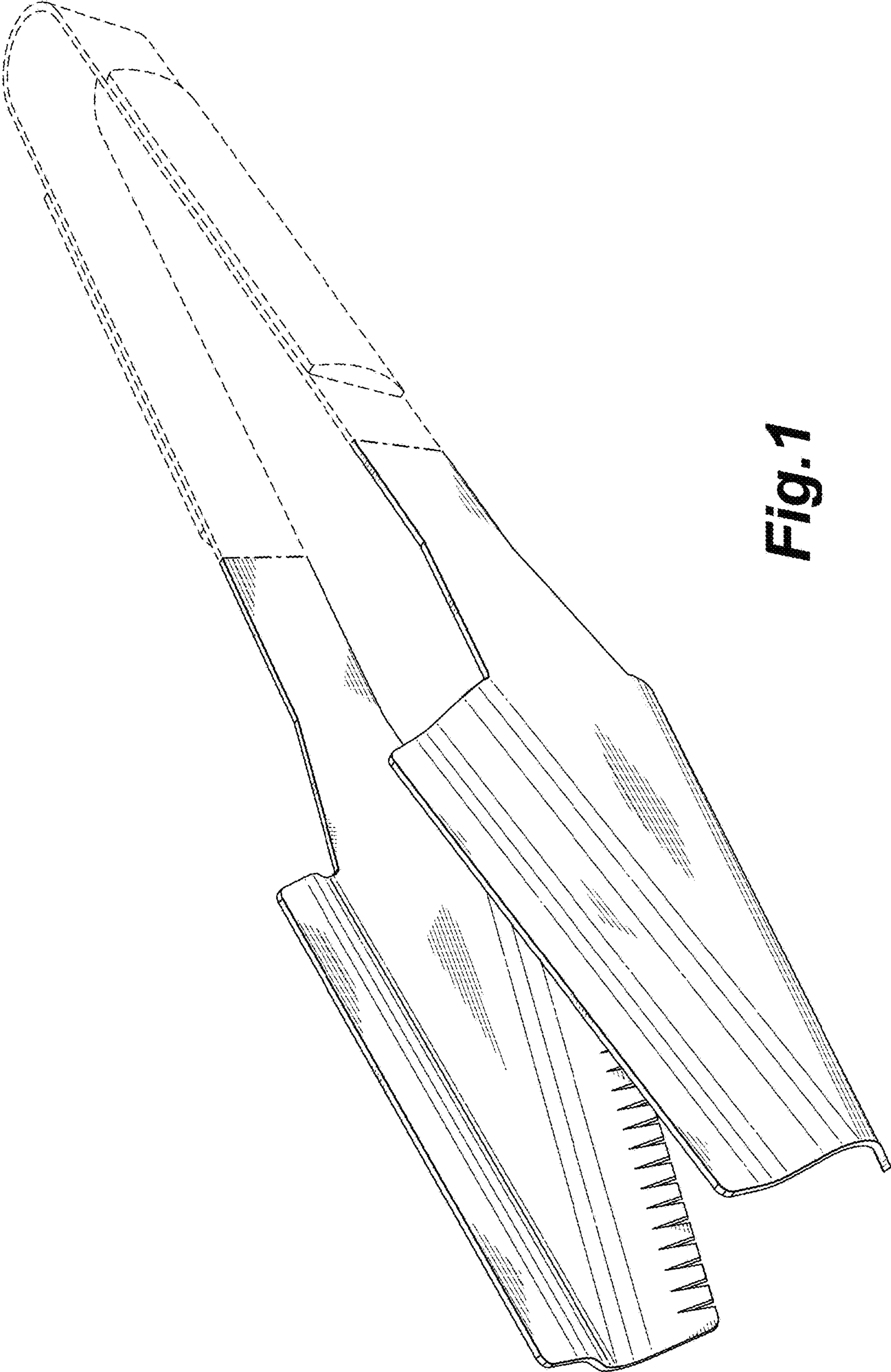


Fig. 1

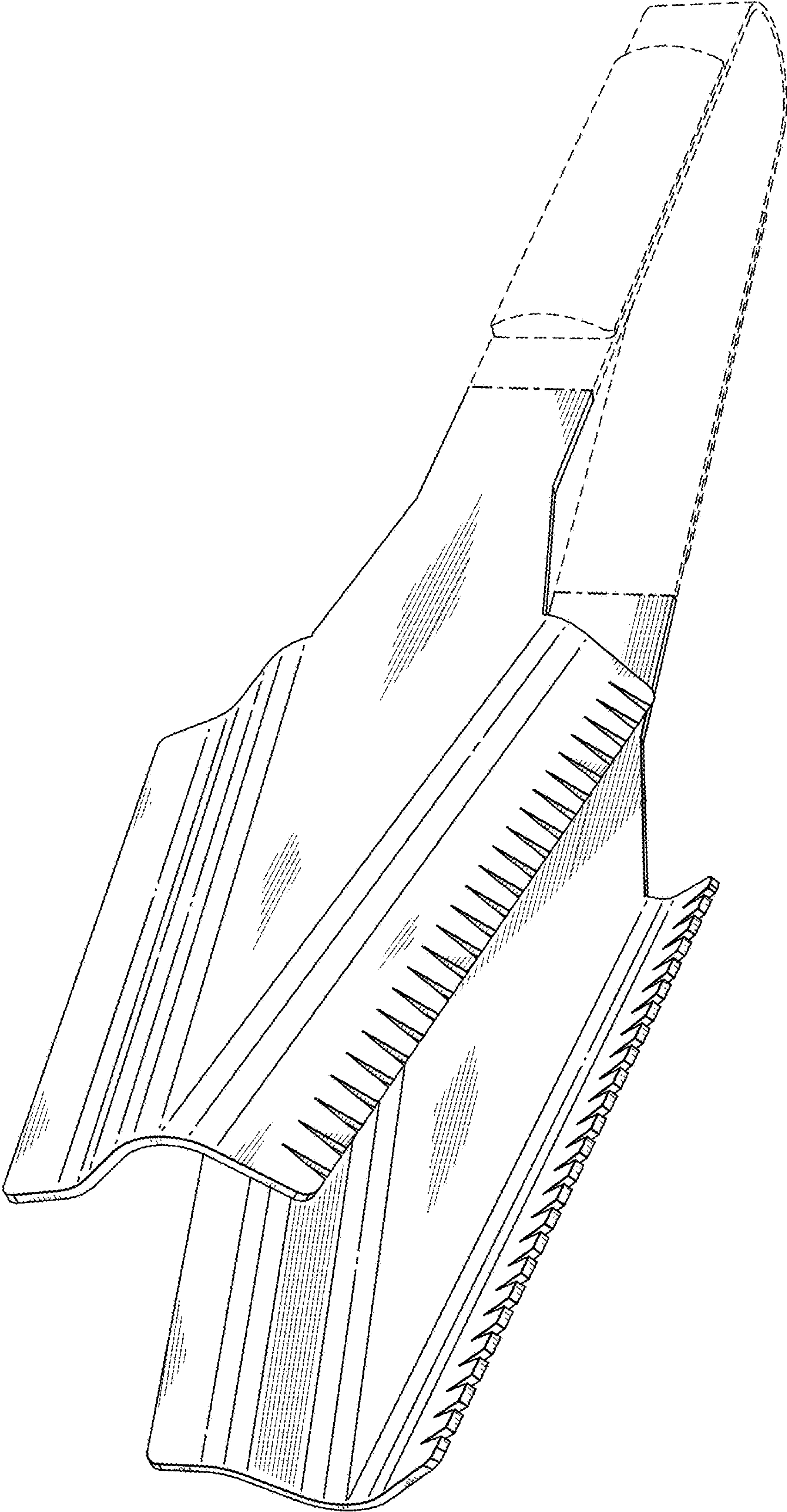


Fig. 2

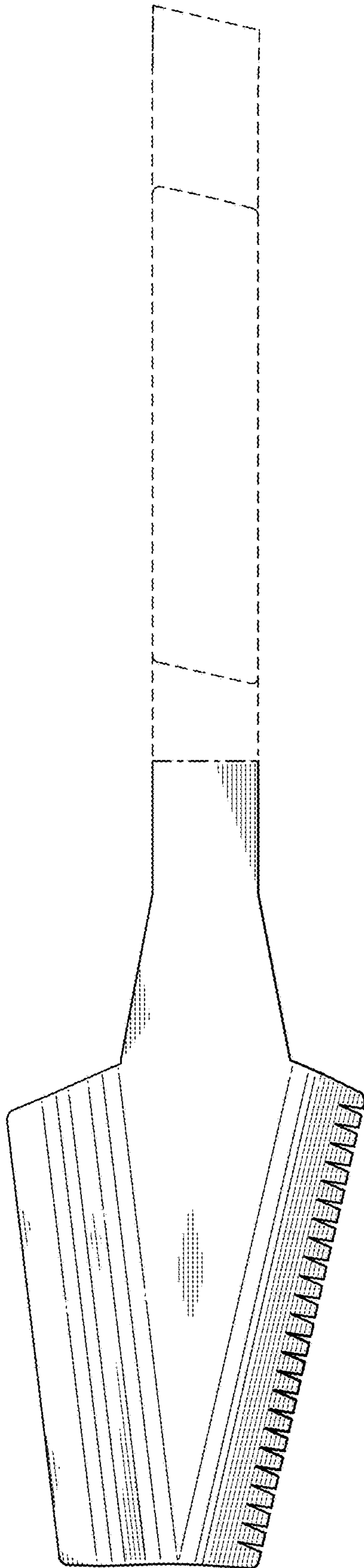


Fig. 3

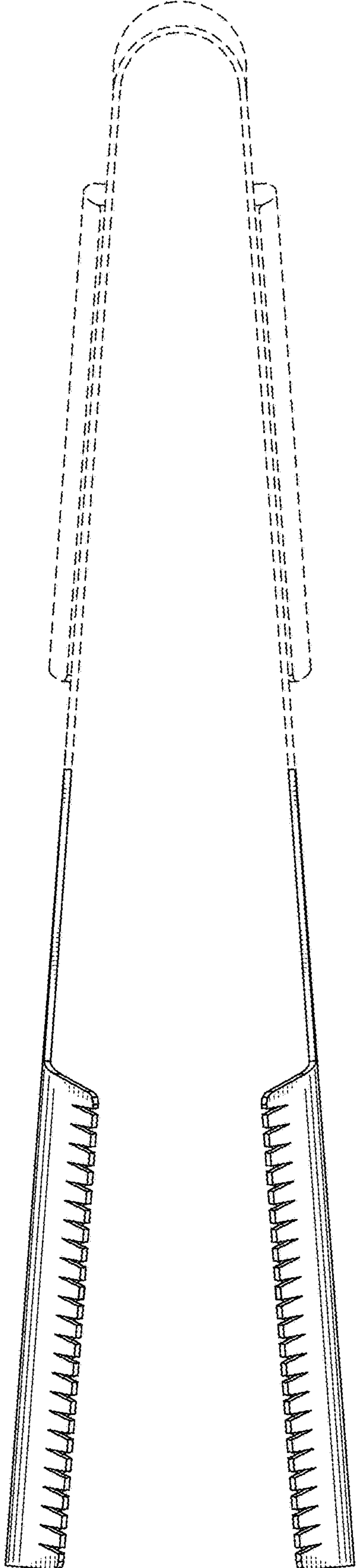


Fig.4

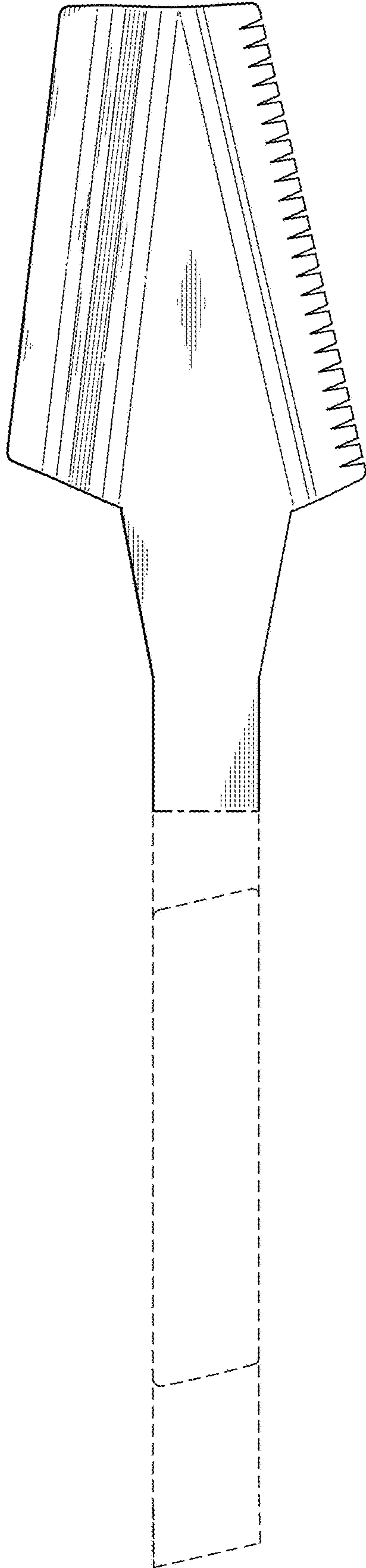


Fig. 5

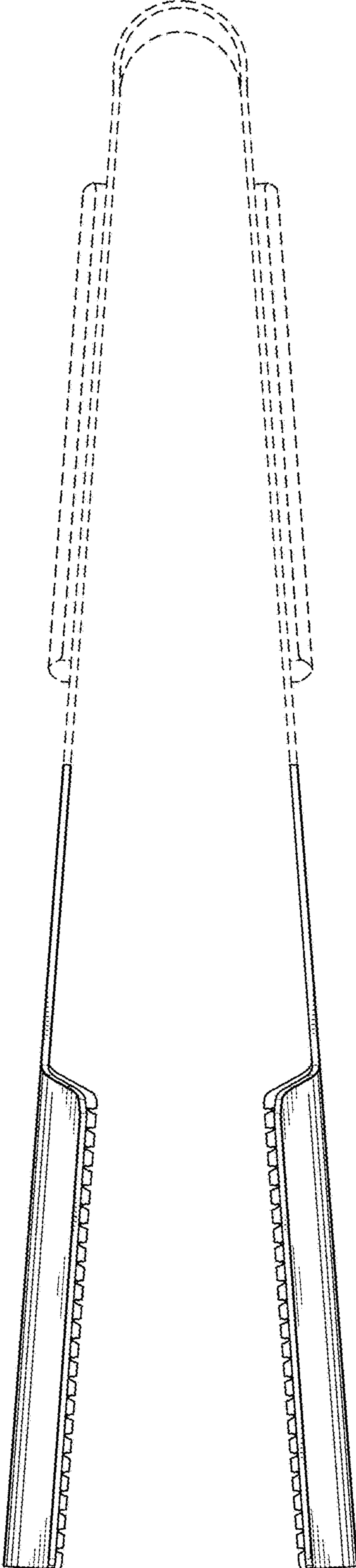


Fig. 6

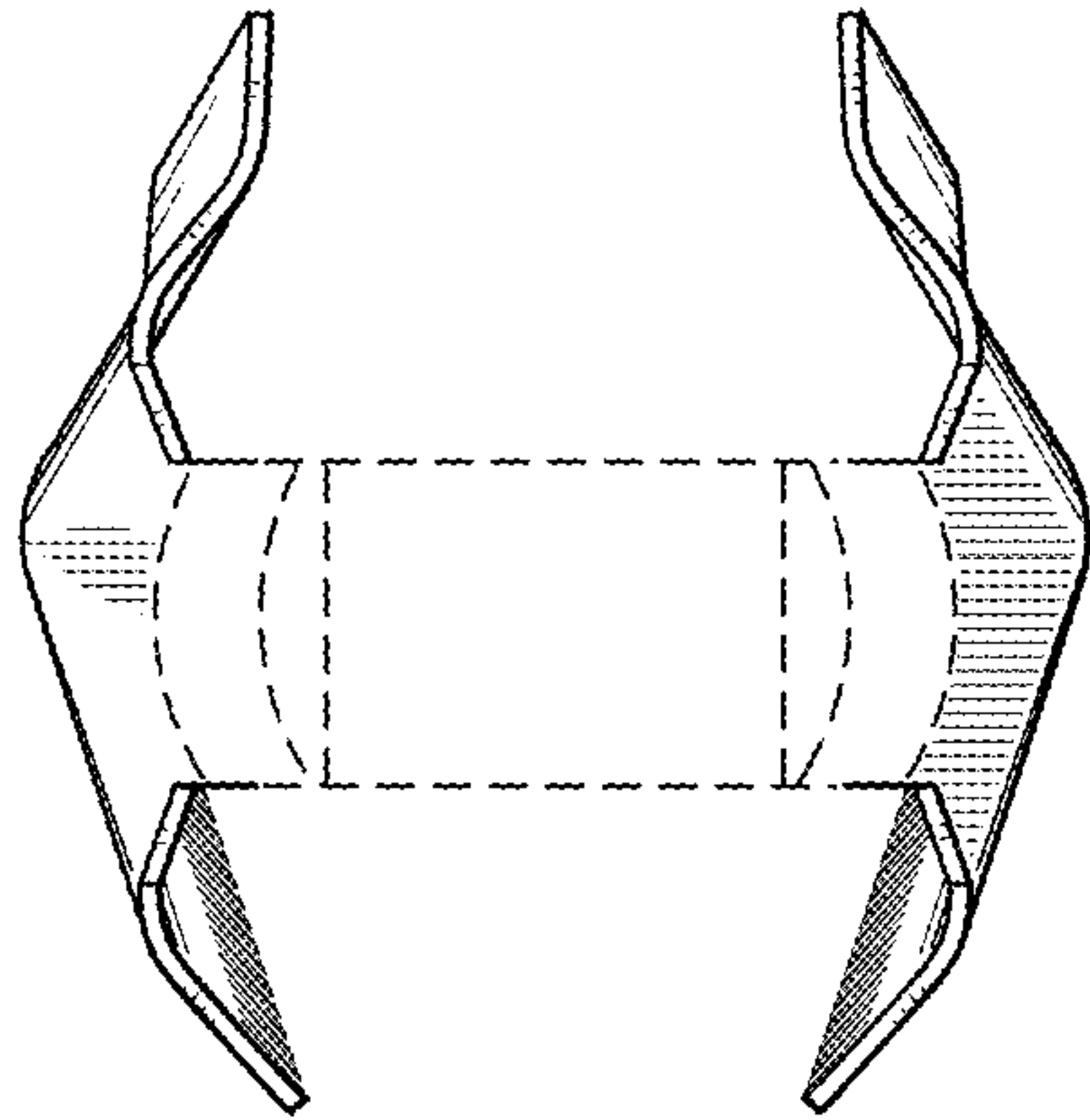


Fig.7

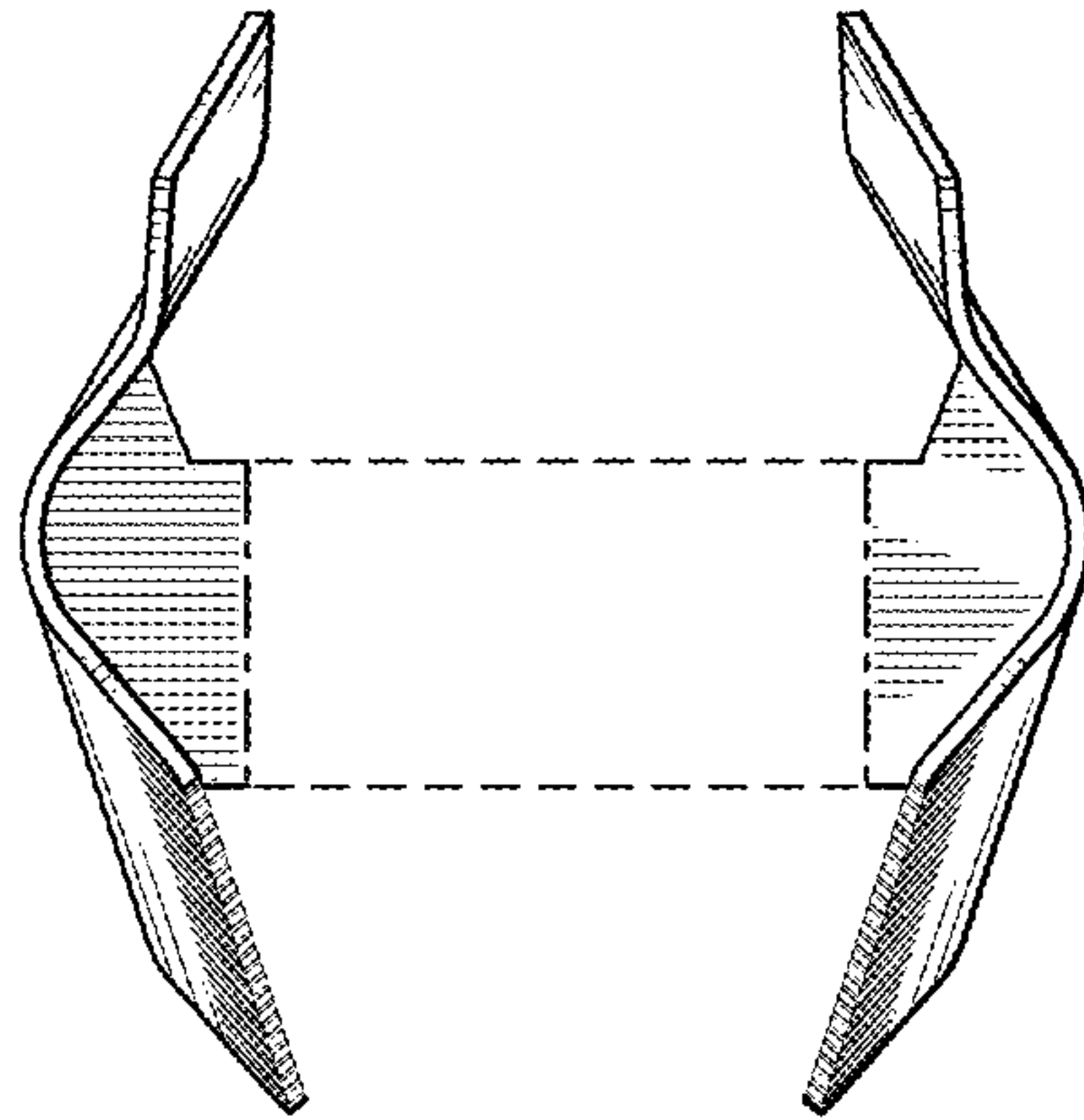


Fig. 8