



US00D811174S

(12) **United States Design Patent** (10) **Patent No.:** **US D811,174 S**
Zemel et al. (45) **Date of Patent:** **** Feb. 27, 2018**

(54) **CITRUS WEDGER**
(71) Applicant: **BLUE RHINO GLOBAL SOURCING, INC.**, Liberty, MO (US)
(72) Inventors: **Marc Zemel**, Melville, NY (US);
Adam Schillen, Dix Hills, NY (US)
(73) Assignee: **Blue Rhino Global Sourcing, Inc.**, Liberty, MO (US)

4,569,280 A * 2/1986 D'Ambro B26D 3/26
83/435.15
D388,665 S * 1/1998 So D7/381
D755,584 S * 5/2016 Dukat D7/372
D762,091 S * 7/2016 Grumbacher D7/679
D769,670 S * 10/2016 Smith D7/381
2004/0069161 A1 4/2004 Bazzano et al.
2007/0134386 A1 6/2007 Michael et al.

(**) Term: **15 Years**
(21) Appl. No.: **29/557,922**

* cited by examiner
Primary Examiner — Karen S Acker
Assistant Examiner — Steven B Reinholdt, Jr.
(74) *Attorney, Agent, or Firm* — Carter, DeLuca, Farrell & Schmidt, LLP

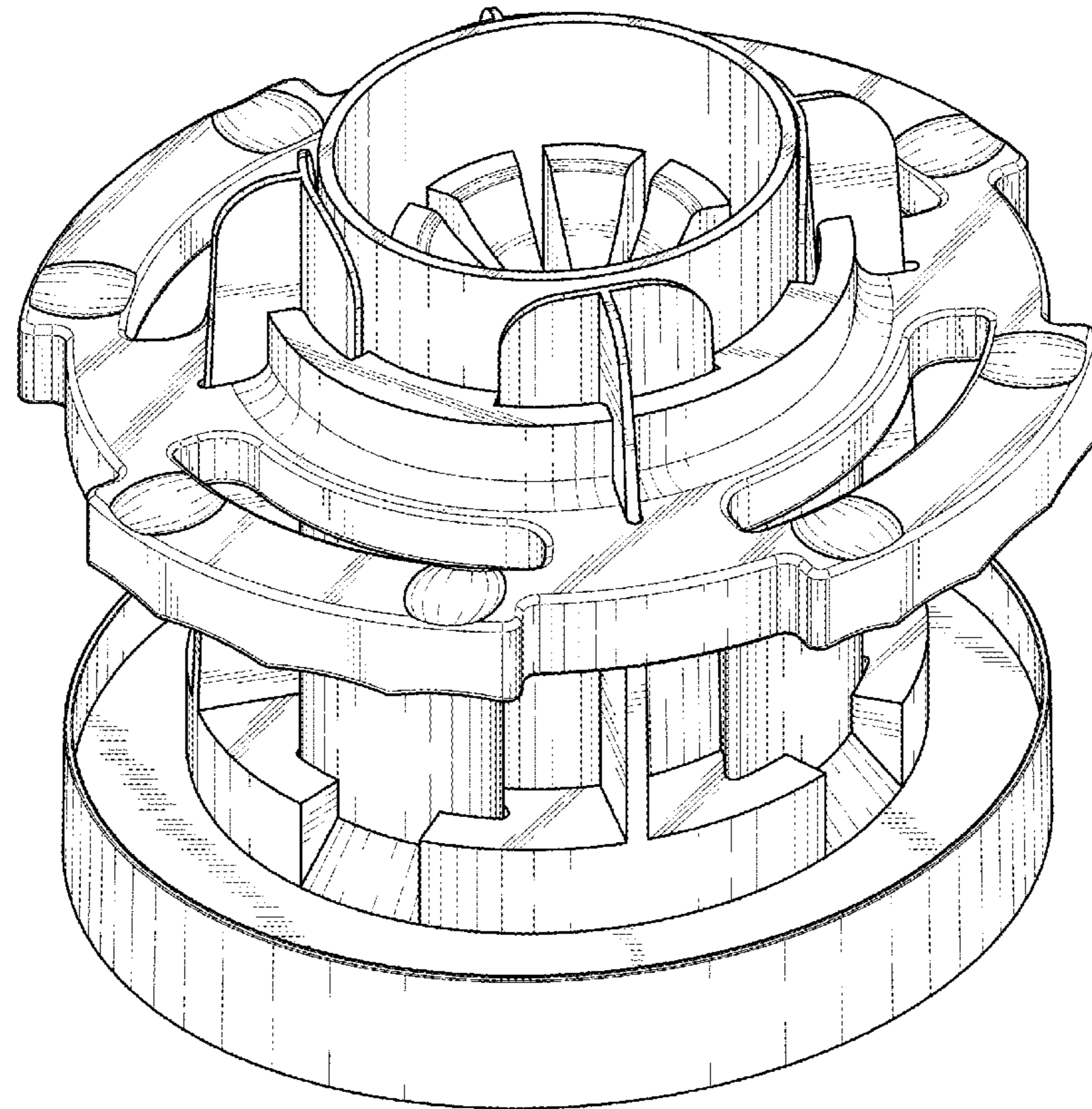
(22) Filed: **Mar. 14, 2016**
(51) **LOC (11) Cl.** **31-00**
(52) **U.S. Cl.**
USPC **D7/665**
(58) **Field of Classification Search**
USPC D7/381, 665, 668, 673, 679
CPC A47J 19/02; A47J 19/022; A47J 42/14;
A47J 42/34; A23P 1/00; B26D 1/36
See application file for complete search history.

(57) **CLAIM**
The ornamental design for a citrus wedger, as shown and described.

(56) **References Cited**
U.S. PATENT DOCUMENTS
2,824,588 A * 2/1958 Lyon B26D 3/26
30/114
3,696,847 A 10/1972 Erikson et al.
D251,653 S * 4/1979 Mason, Jr. D7/359

DESCRIPTION
FIG. 1 is a perspective view of a citrus wedger in accordance with the present design;
FIG. 2 is a right side elevational view thereof;
FIG. 3 is a left side elevational view thereof;
FIG. 4 is a front side elevational view thereof;
FIG. 5 is a rear elevational view thereof;
FIG. 6 is a top plan view thereof; and,
FIG. 7 is a bottom plan view thereof.
The broken lines shown in the drawings illustrate portions of the citrus wedger that form no part of the claimed design.

1 Claim, 7 Drawing Sheets



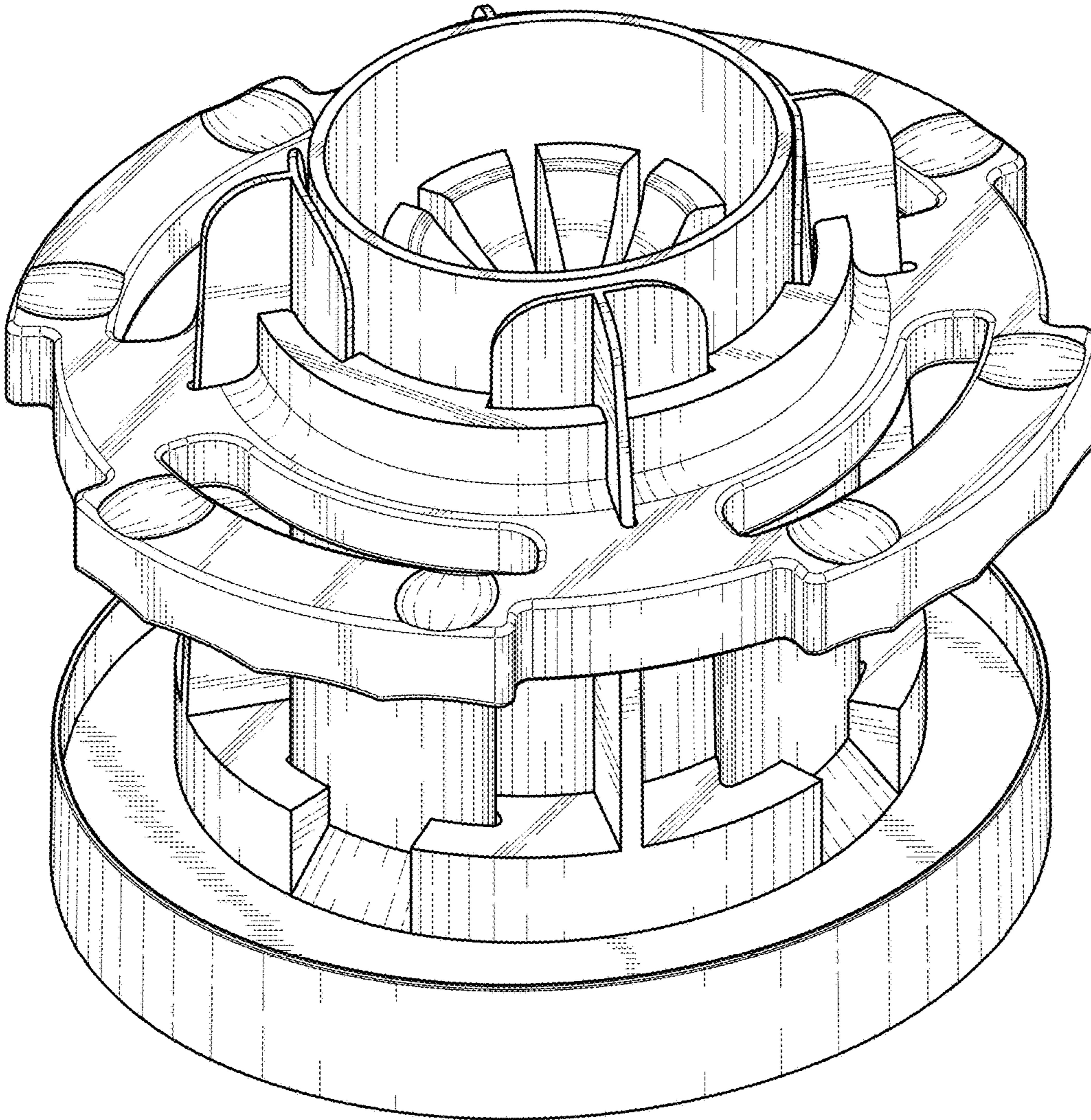


FIG. 1

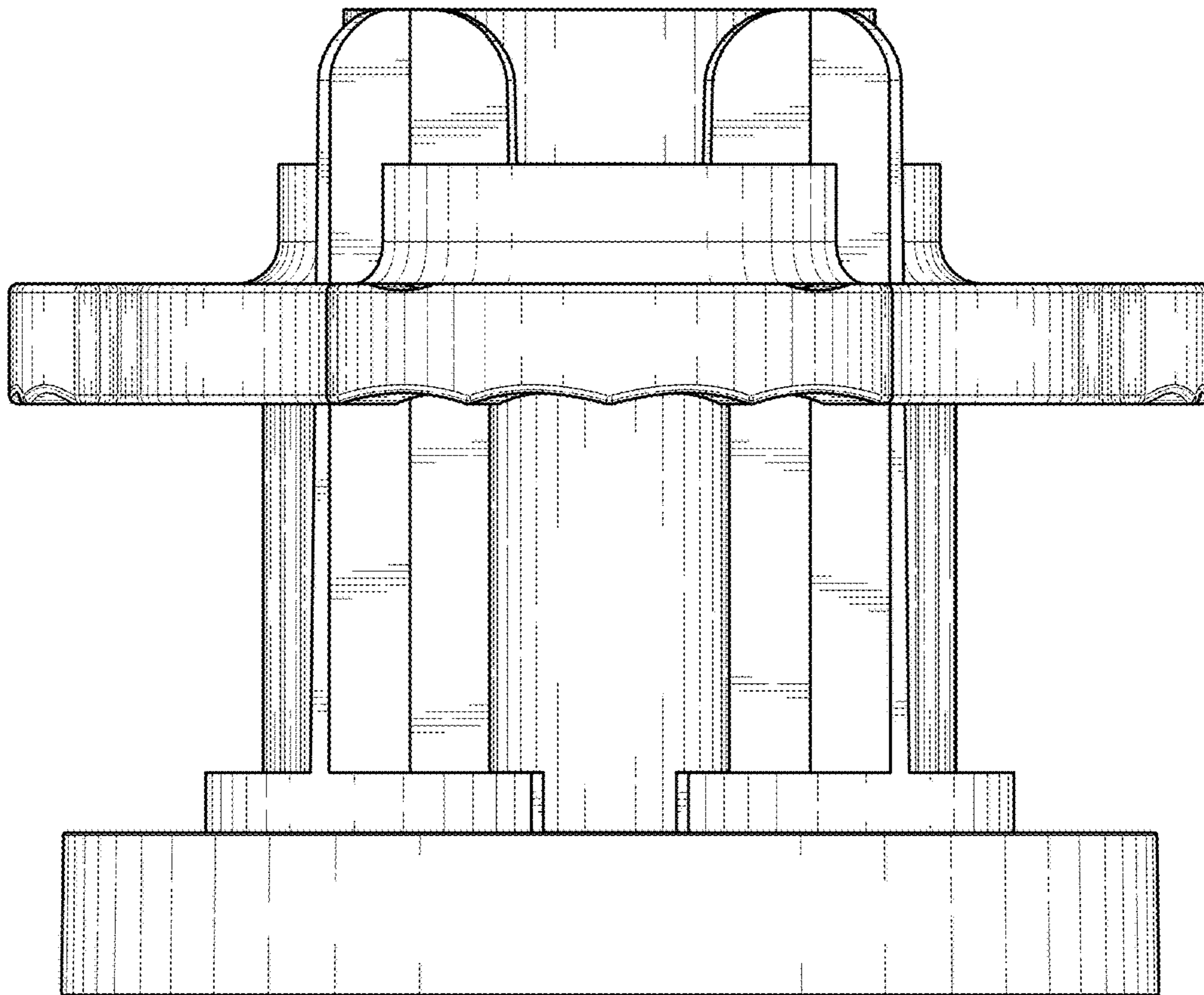


FIG. 2

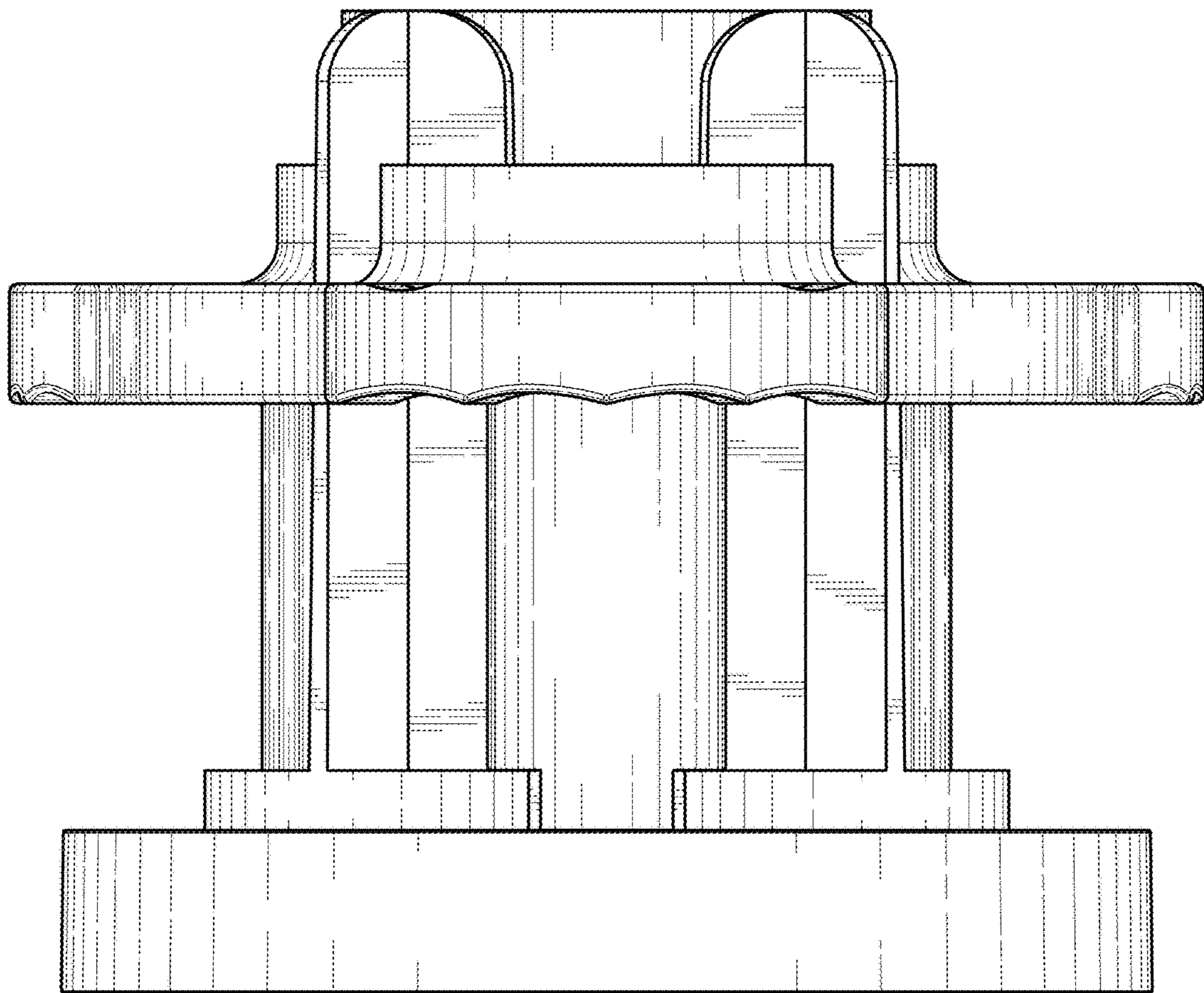


FIG. 3

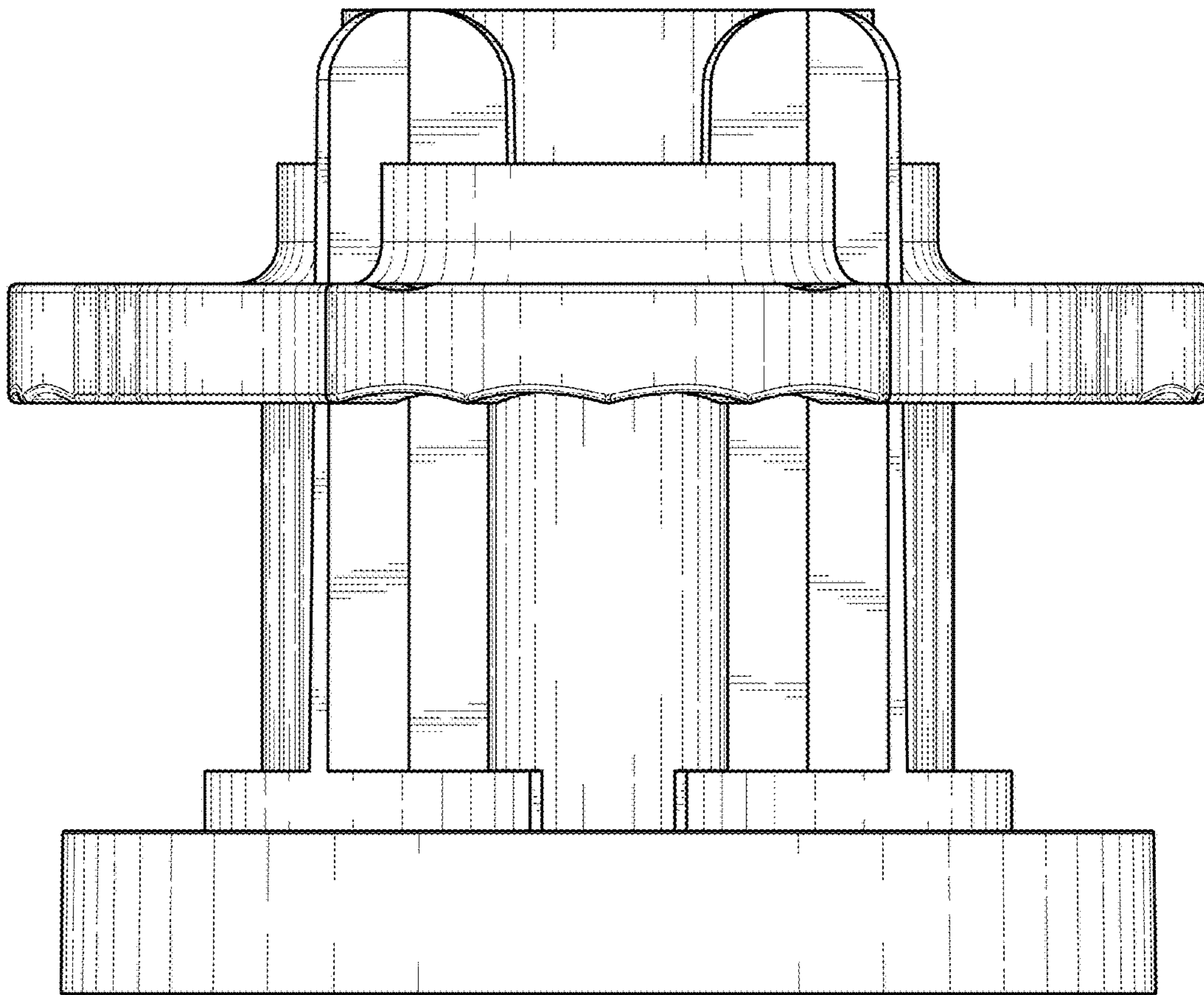


FIG. 4

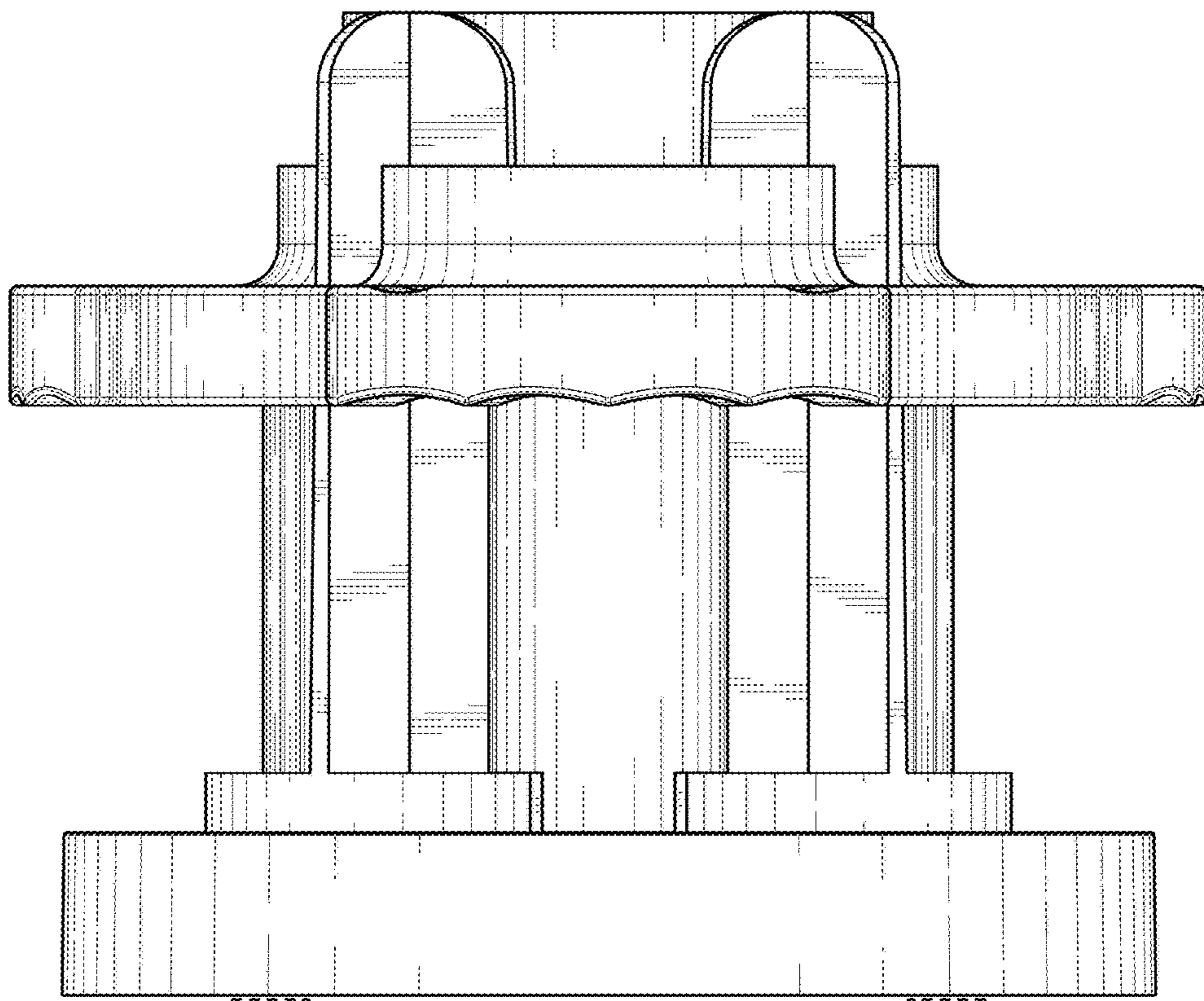


FIG. 5

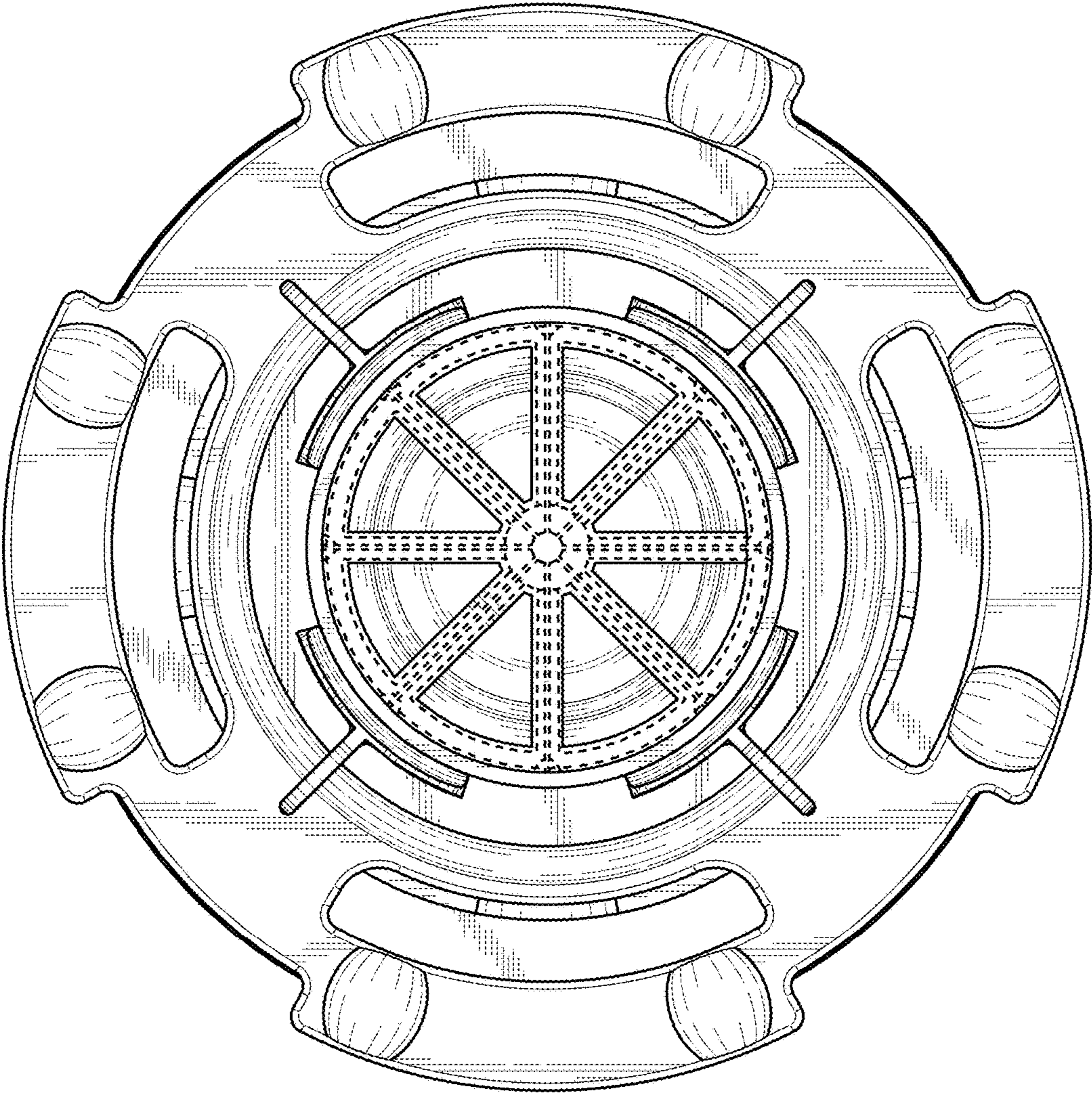


FIG. 6

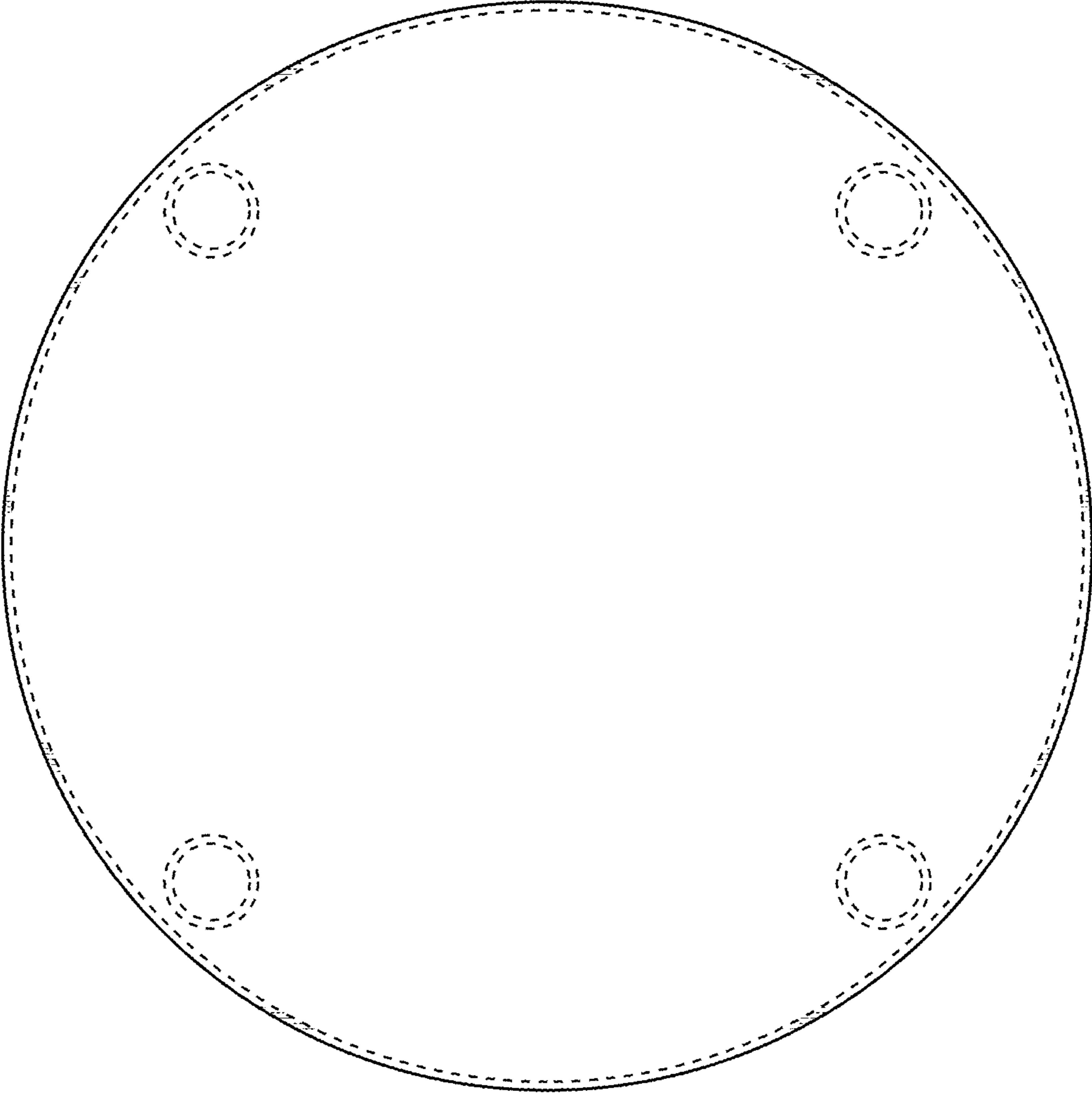


FIG. 7