



US00D811173S

(12) **United States Design Patent** (10) **Patent No.:** **US D811,173 S**  
**Goodman et al.** (45) **Date of Patent:** **\*\* Feb. 27, 2018**

(54) **NAPKIN HOLDER**  
(71) Applicant: **Spectrum Diversified Designs, LLC**,  
Streetsboro, OH (US)  
(72) Inventors: **Aaron Goodman**, Beachwood, OH  
(US); **Courtney Wilson**, Chardon, OH  
(US)  
(73) Assignee: **Spectrum Diversified Designs, LLC**,  
Streetsboro, OH (US)  
(\*\*) Term: **15 Years**  
(21) Appl. No.: **29/597,747**  
(22) Filed: **Mar. 20, 2017**  
(51) **LOC (11) Cl.** ..... **07-06**  
(52) **U.S. Cl.**  
USPC ..... **D7/631**  
(58) **Field of Classification Search**  
USPC ..... D3/306; D6/566-574; D7/631,  
D7/637-641; D19/75, 81-86, 90, 92;  
211/41.4, 70.7, 85.31, 90.03, 106, 126.8,  
211/126.9, 133.2, 133.5; 220/485-488,  
220/491; 248/37.3, 37.6, 153, 175  
CPC .. A47F 7/00; A47F 7/14; A47G 21/00; A47G  
21/16; G09F 1/14  
See application file for complete search history.

D334,307 S \* 3/1993 Lee ..... D3/306  
D334,854 S \* 4/1993 Pestone ..... D6/680.3  
D632,933 S \* 2/2011 Goodman ..... D7/631  
D670,976 S \* 11/2012 Goodman ..... D7/631  
D709,338 S \* 7/2014 Goodman ..... D7/631

**OTHER PUBLICATIONS**

Oggi Stainless Steel Lift Bar Napkin Holder with ABS Base, announced Oct. 2001, [online], site visited Nov. 8, 2017. Available from Internet, URL: <http://www.amazon.com> (Year: 2001).\* <https://www.spectrumdiversified.com/products/Euro-Flat-Napkin-Holder>; SKU 503; 1 page; published at least as early as Mar. 20, 2017.

\* cited by examiner

*Primary Examiner* — Derrick E Holland  
*Assistant Examiner* — Janice Julia Patyk  
(74) *Attorney, Agent, or Firm* — Tucker Ellis LLP;  
Patrick F. Clunk

(57) **CLAIM**

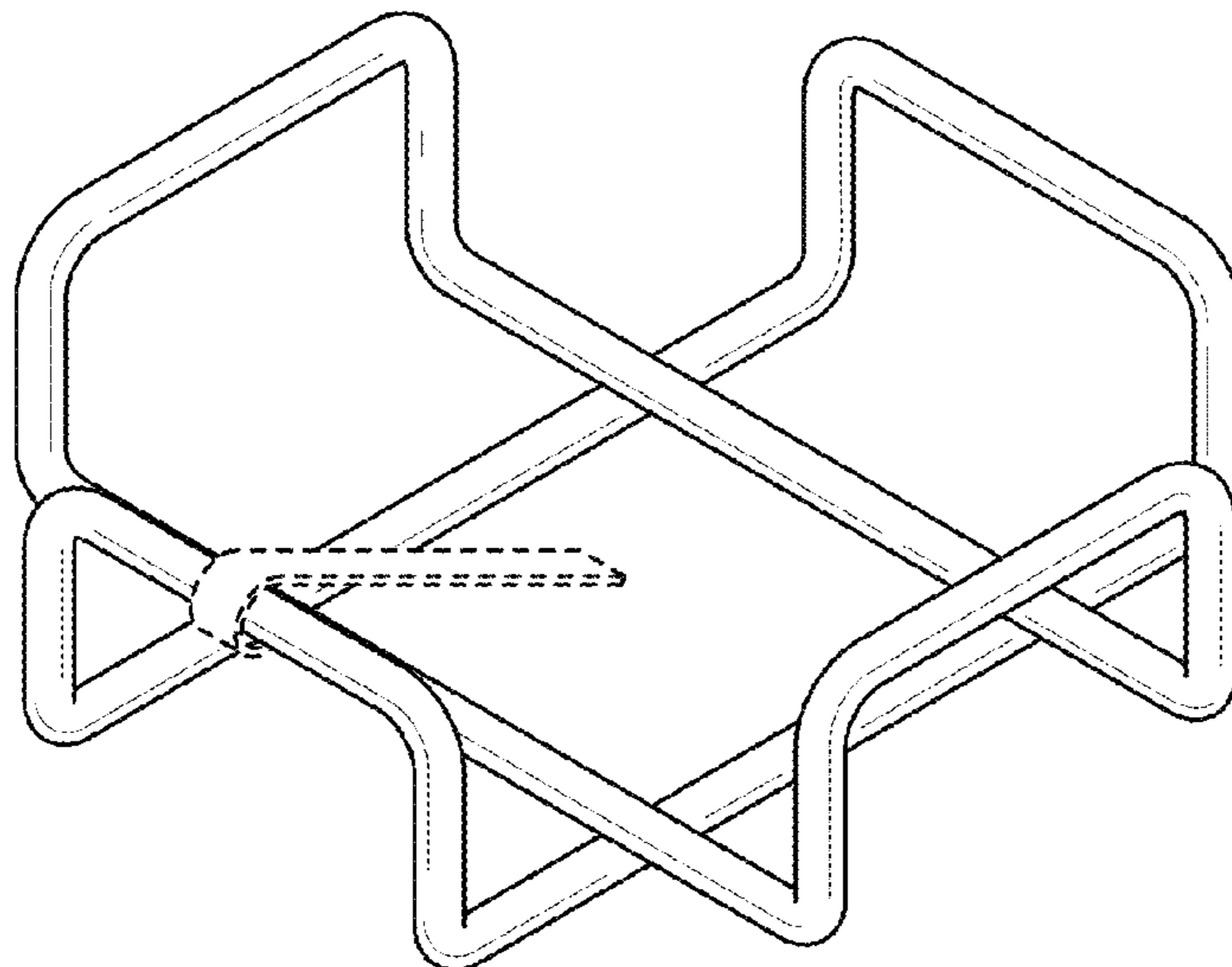
The ornamental design for a napkin holder, as shown and described.

**DESCRIPTION**

FIG. 1 is a perspective view of a napkin holder showing our new design.  
FIG. 2 is a front view thereof.  
FIG. 3 is a rear view thereof.  
FIG. 4 is a right side view thereof.  
FIG. 5 is a left side view thereof.  
FIG. 6 is a top view thereof.  
FIG. 7 is a bottom view thereof; and,  
FIG. 8 is another perspective view thereof, shown without the unclaimed lever for ease of illustration.  
The broken lines in the figures illustrate environmental subject matter that form no part of the claimed design.

**1 Claim, 5 Drawing Sheets**

(56) **References Cited**  
U.S. PATENT DOCUMENTS  
3,442,393 A \* 5/1969 Koppelman ..... A47G 19/24  
211/106  
D240,105 S \* 6/1976 Boyd ..... D7/388  
4,926,748 A \* 5/1990 Smith ..... B65B 27/083  
100/34  
4,930,642 A \* 6/1990 Brooks ..... A47F 3/14  
211/181.1



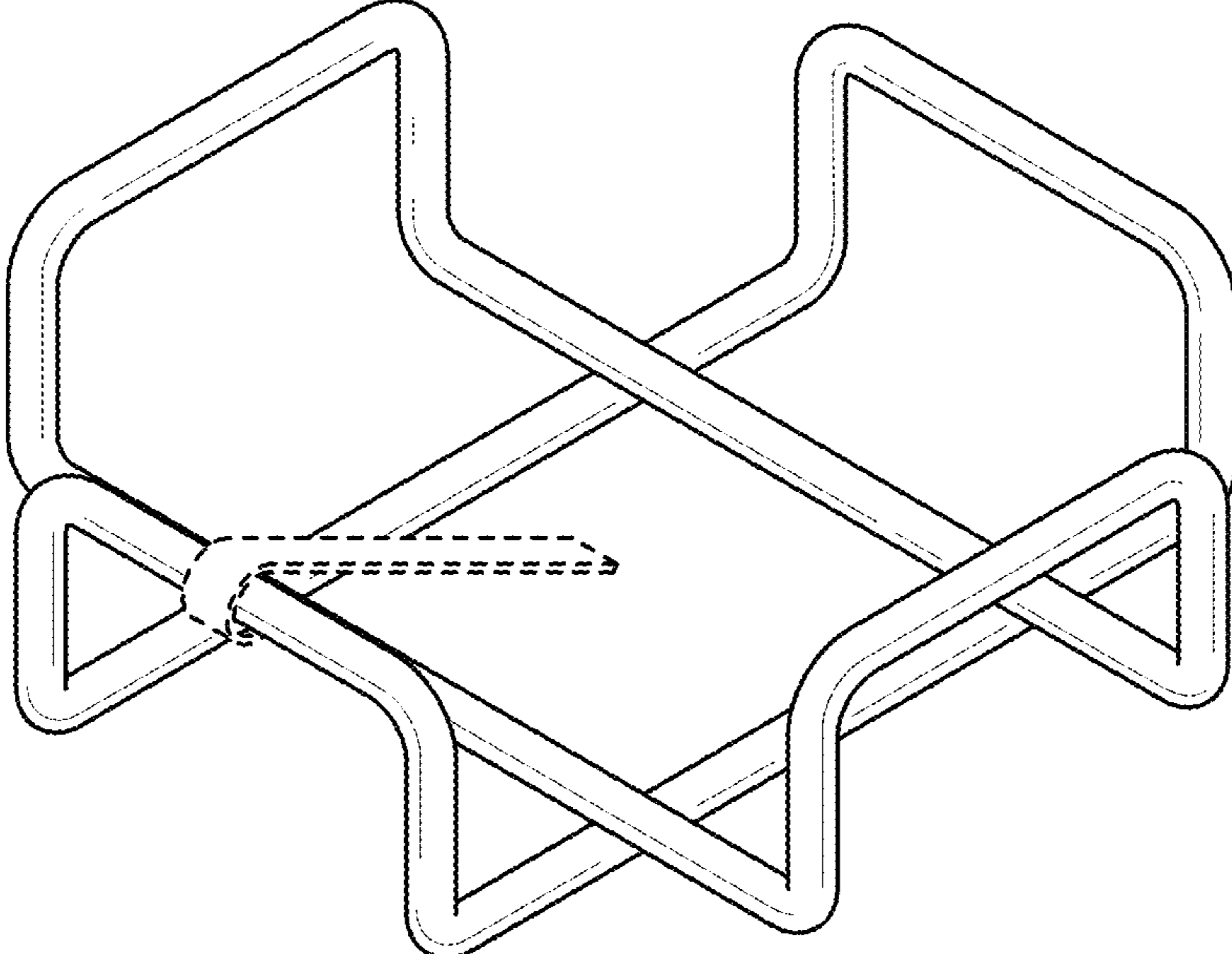


FIG. 1

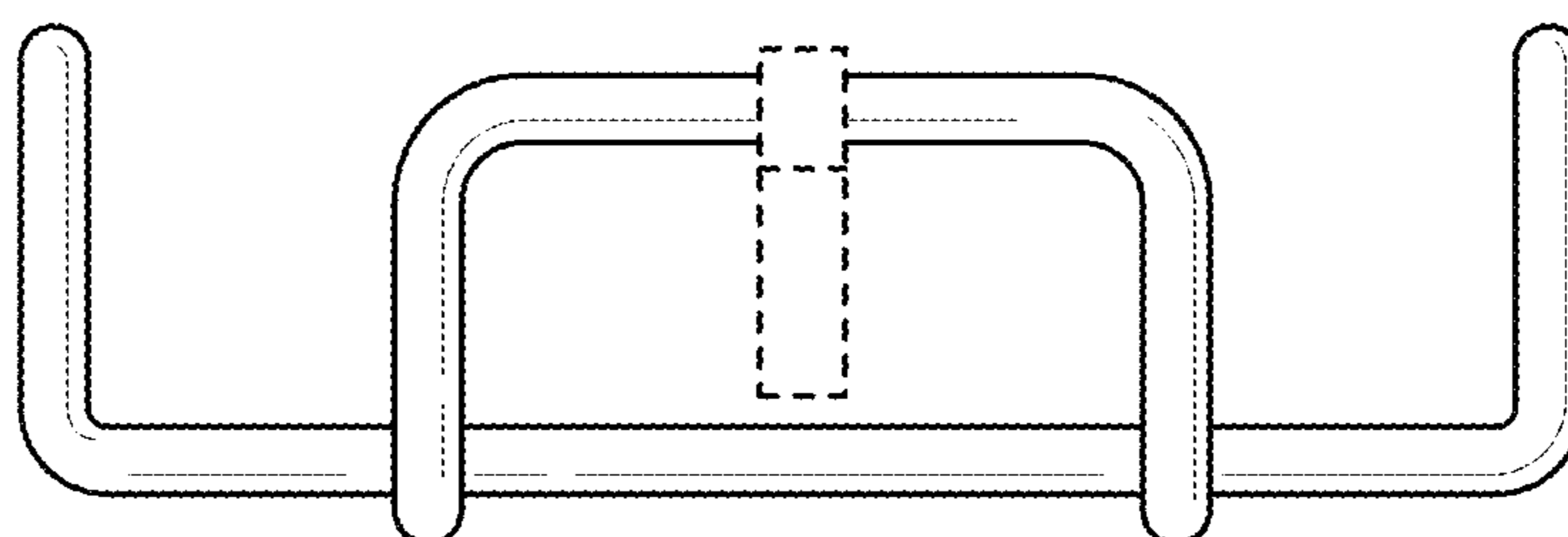


FIG. 2

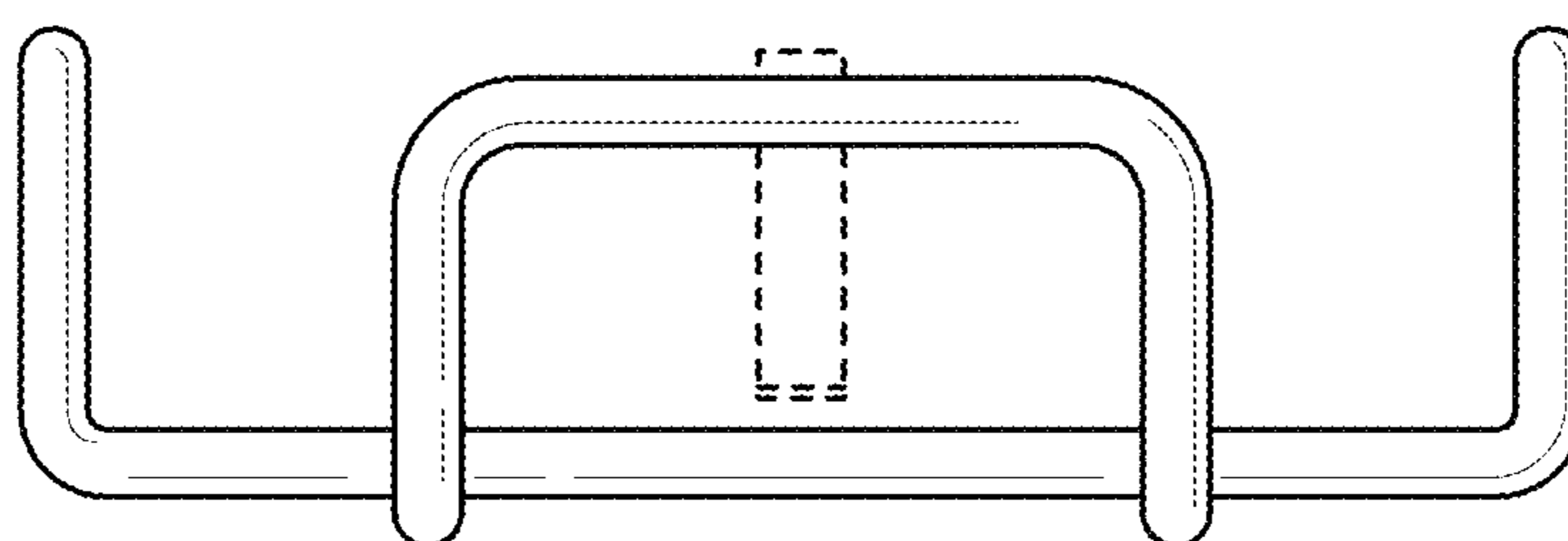


FIG. 3

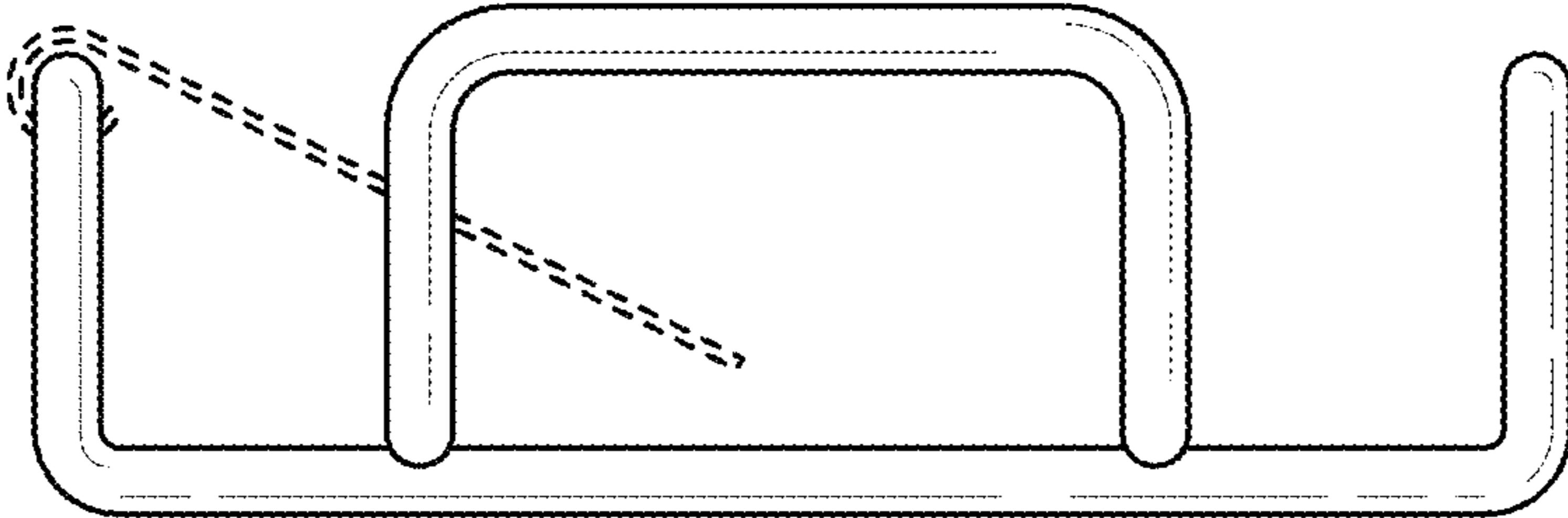


FIG. 4

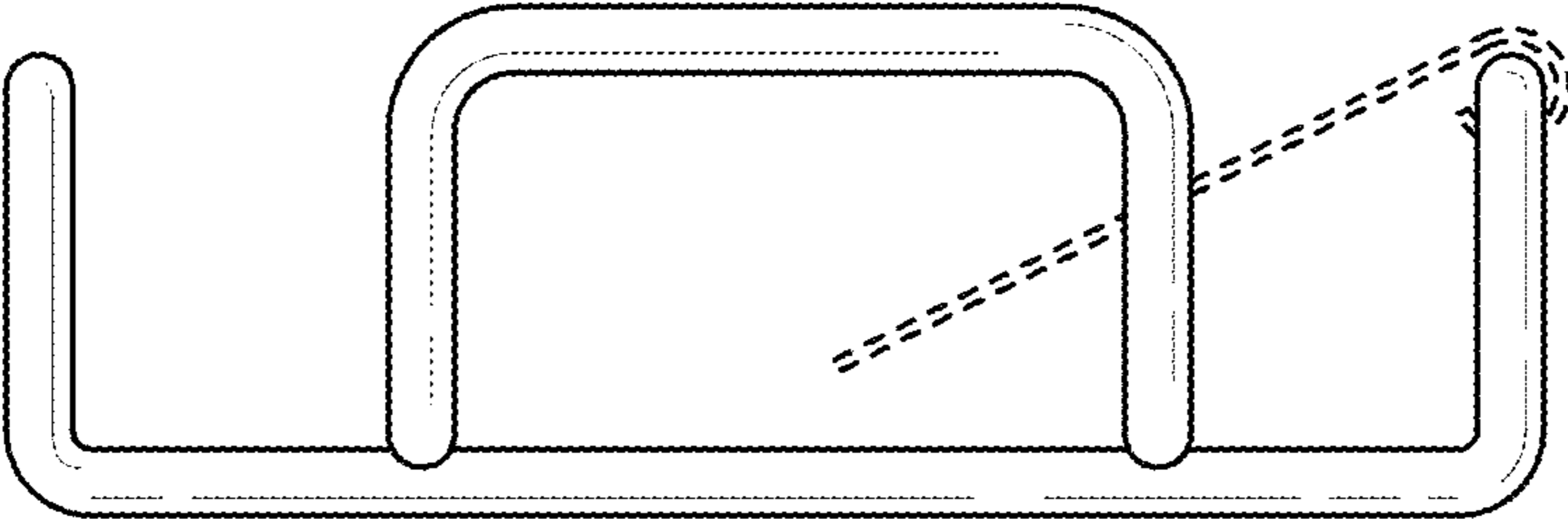


FIG. 5

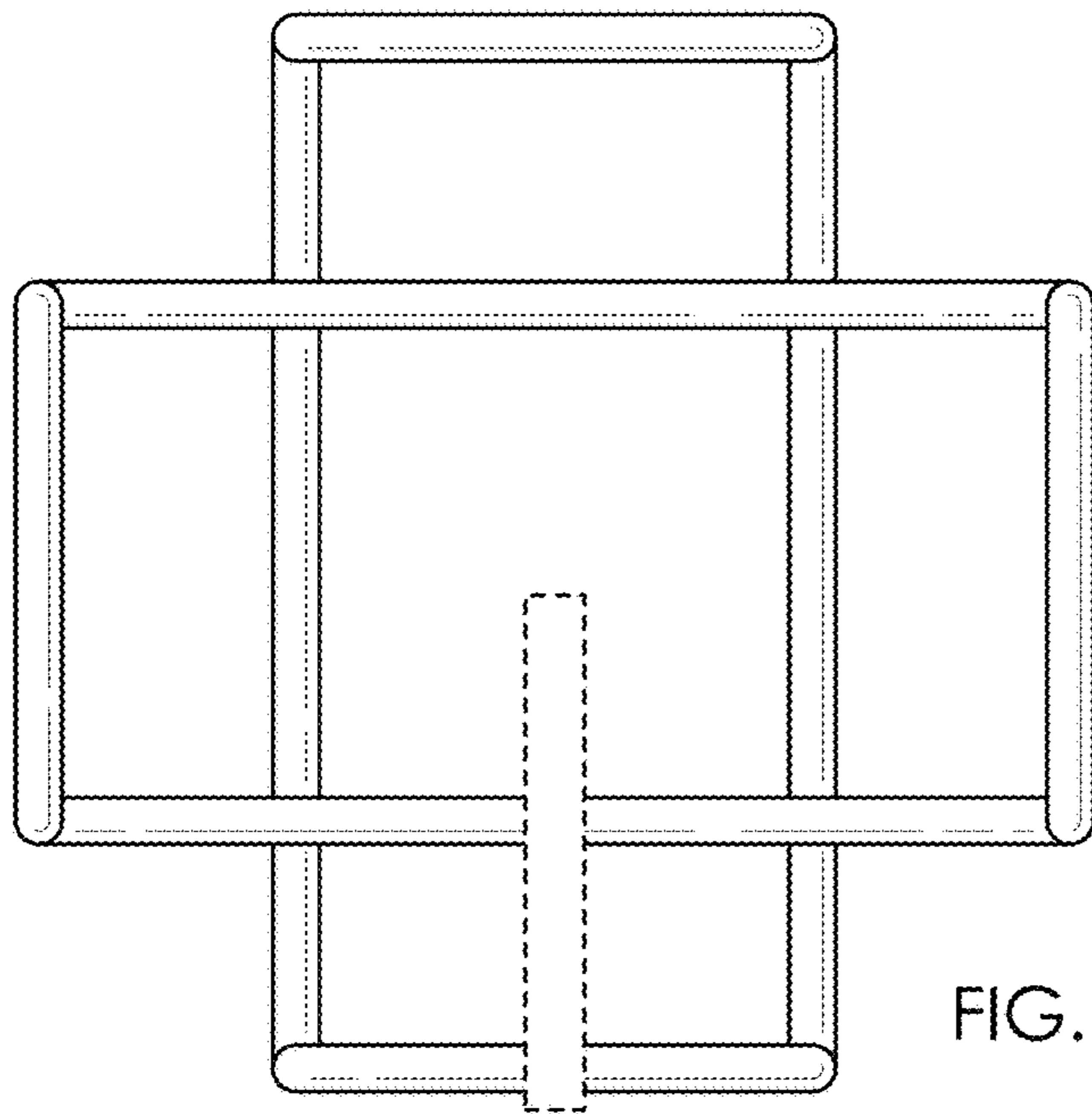


FIG. 6

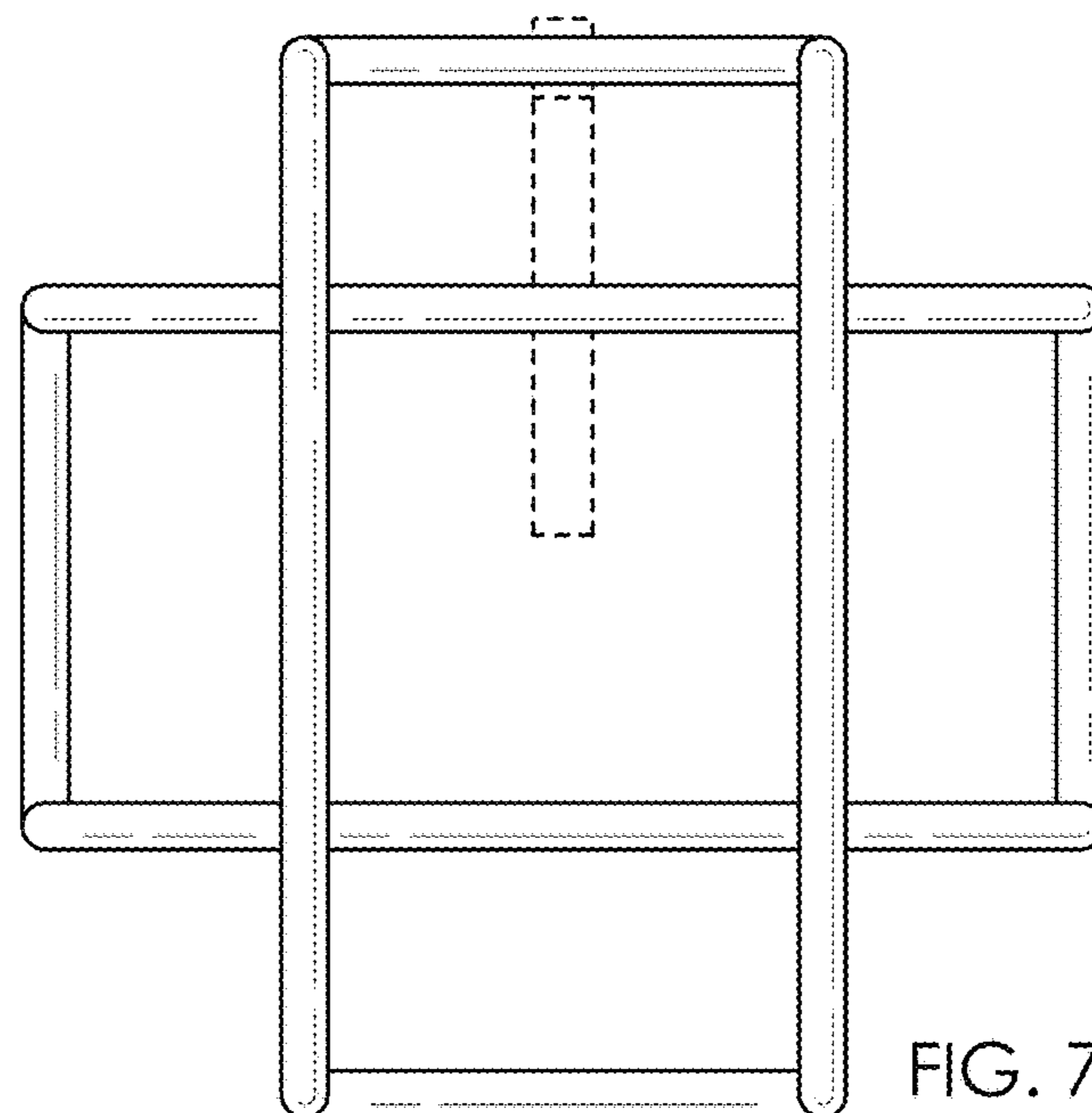


FIG. 7

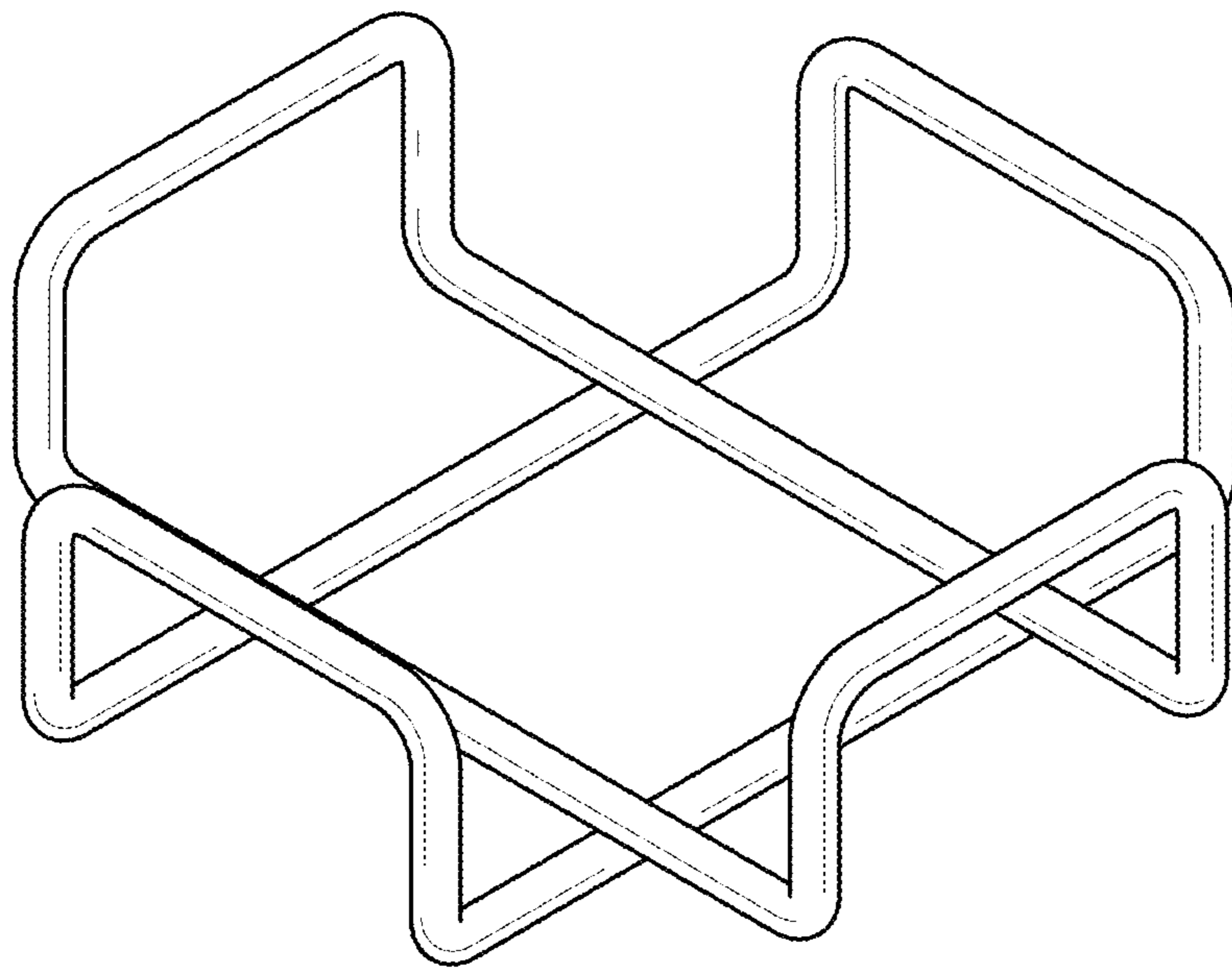


FIG. 8