



US00D811172S

(12) **United States Design Patent**  
**Guy et al.**

(10) **Patent No.:** **US D811,172 S**  
(45) **Date of Patent:** **\*\* Feb. 27, 2018**

- (54) **GROWLER COVER**
- (71) Applicant: **Picnic Time, Inc.**, Moorpark, CA (US)
- (72) Inventors: **Kevin Warren James Guy**, Moorpark, CA (US); **Nathan Pavitt**, Moorpark, CA (US)
- (73) Assignee: **Picnic Time, Inc.**, Moorpark, CA (US)
- (\*\*) Term: **15 Years**
- (21) Appl. No.: **29/583,069**
- (22) Filed: **Nov. 2, 2016**
- (51) **LOC (11) Cl.** ..... **07-06**
- (52) **U.S. Cl.**  
USPC ..... **D7/624.2**
- (58) **Field of Classification Search**  
USPC ..... D7/619.1-625, 603-608; D9/444  
CPC . F25D 3/08; F25D 2331/804; A47G 23/0216;  
A47G 23/0258; A47G 23/0208; A47G  
23/0266; A47G 23/02; F17C 13/001;  
B65D 81/3876; B65D 81/3879; B65D  
81/3881; B65D 81/3883; B65D 81/3886  
See application file for complete search history.

- 2008/0164269 A1\* 7/2008 Vorderkunz ..... B65D 81/3874  
220/739
- 2013/0075412 A1\* 3/2013 Schminke ..... B65D 81/3876  
220/739
- 2014/0061208 A1\* 3/2014 Boyd ..... A47J 41/0005  
220/592.17
- 2016/0213137 A1\* 7/2016 Sellars ..... A45F 5/02

\* cited by examiner

*Primary Examiner* — Terry Wallace

(74) *Attorney, Agent, or Firm* — Dunlap Bennett & Ludwig PLLC

(57) **CLAIM**

The ornamental design for a growler cover, as shown and described.

**DESCRIPTION**

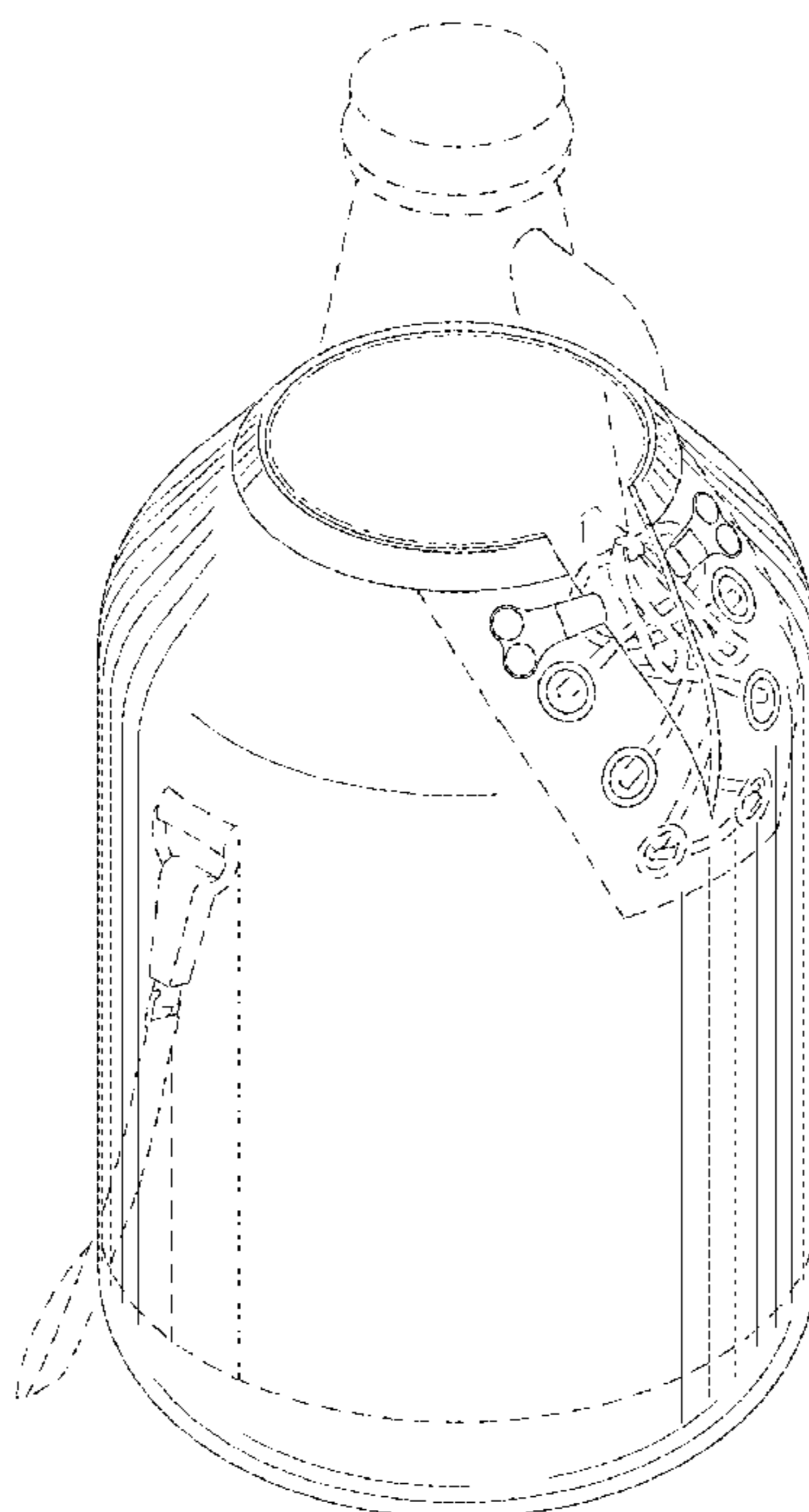
FIG. 1 is a top and front perspective view of a growler cover, shown in use;  
 FIG. 2 is a top and front perspective view thereof;  
 FIG. 3 is a right elevation view thereof;  
 FIG. 4 is a left elevation view thereof;  
 FIG. 5 is a front elevation view thereof, which the opposing rear elevation is a mirror image thereof;  
 FIG. 6 is a top plan view thereof; and,  
 FIG. 7 is a bottom plan view thereof.

The evenly spaced broken lines showing a growler in FIG. 1 depicts environmental subject matter that forms no part of the claimed design, while the remaining evenly spaced broken lines shown in the drawings depict portions of the growler cover that form no part of the claimed design. The unevenly spaced dash-dot-dash broken lines represent the bounds of the claimed design.

(56) **References Cited**  
 U.S. PATENT DOCUMENTS

- D282,234 S \* 1/1986 Henderson ..... D7/608
- 8,844,763 B1 \* 9/2014 Momirov ..... B65D 33/28  
150/154
- D751,866 S \* 3/2016 Sokoly ..... D7/607
- 2008/0017654 A1\* 1/2008 Chu ..... B65D 81/3886  
220/739

**1 Claim, 4 Drawing Sheets**



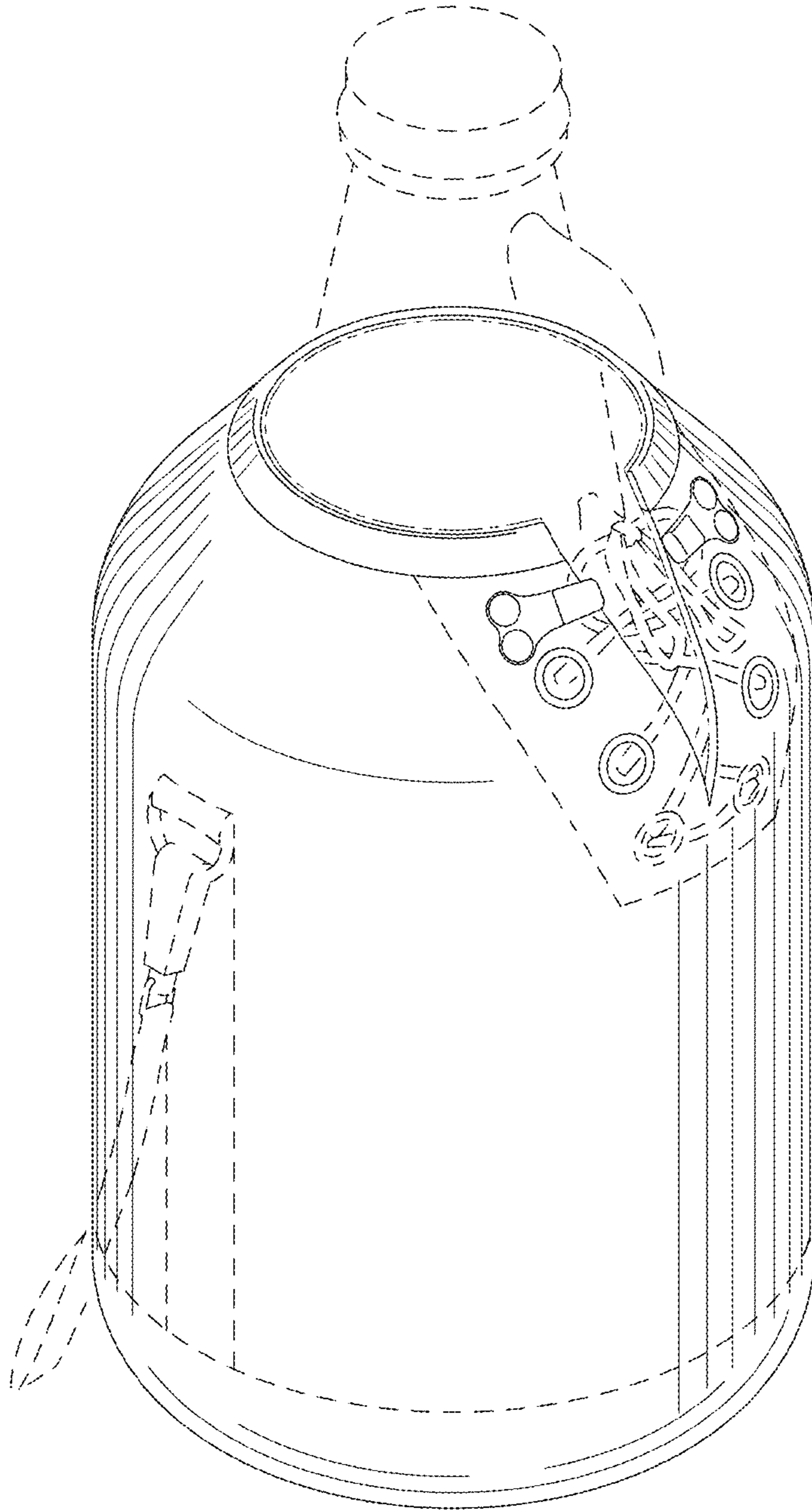


FIG. 1

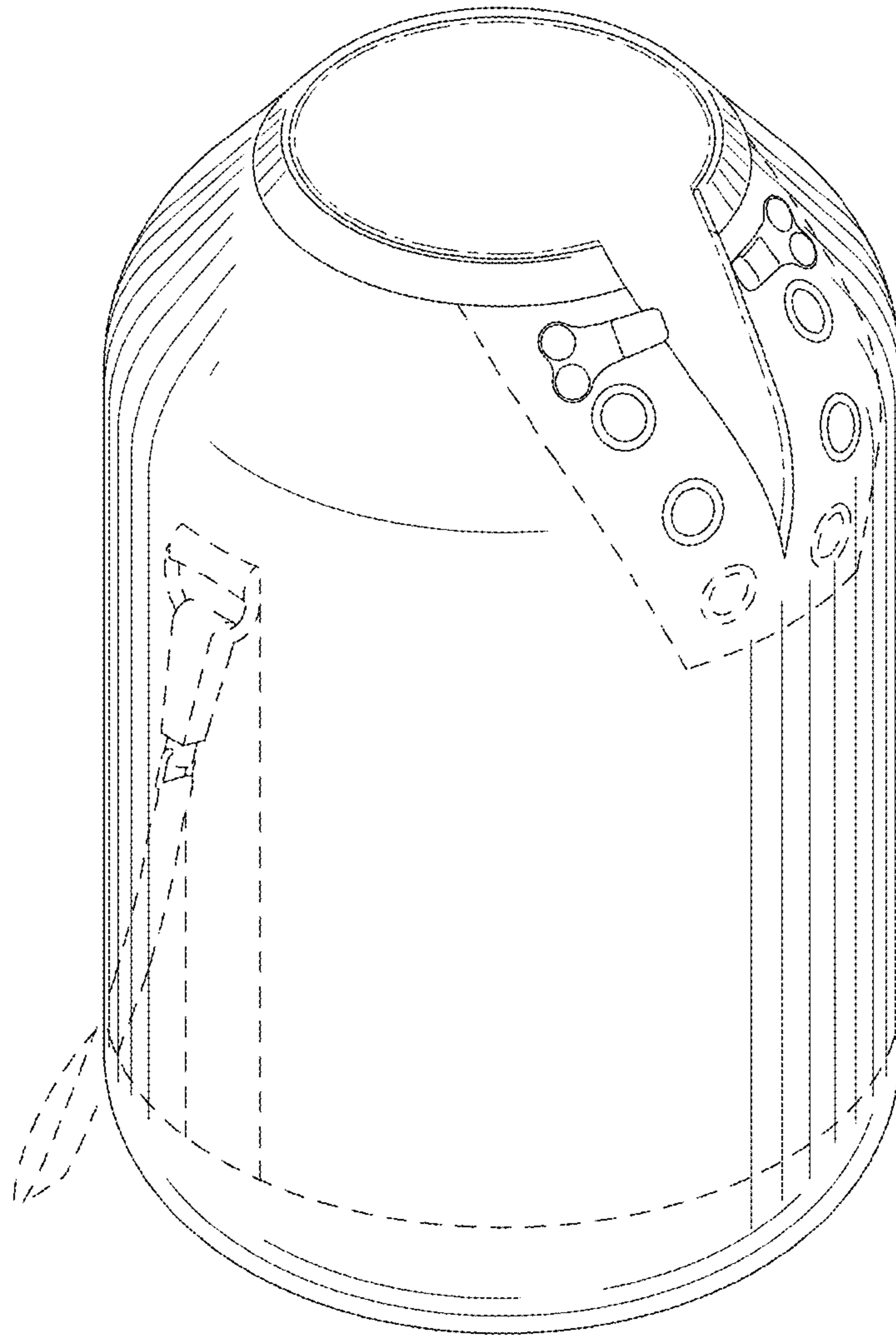


FIG.2

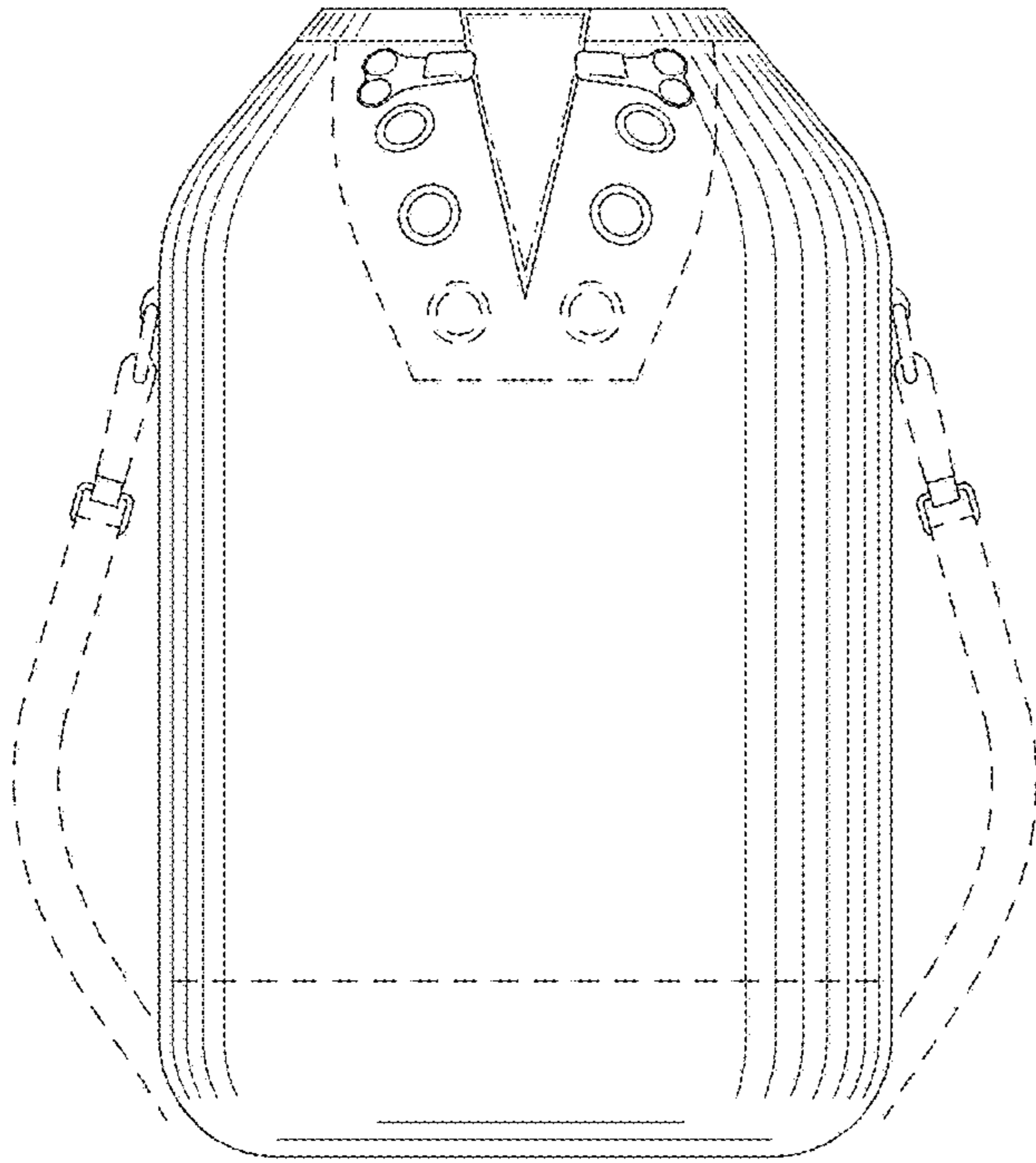


FIG. 3

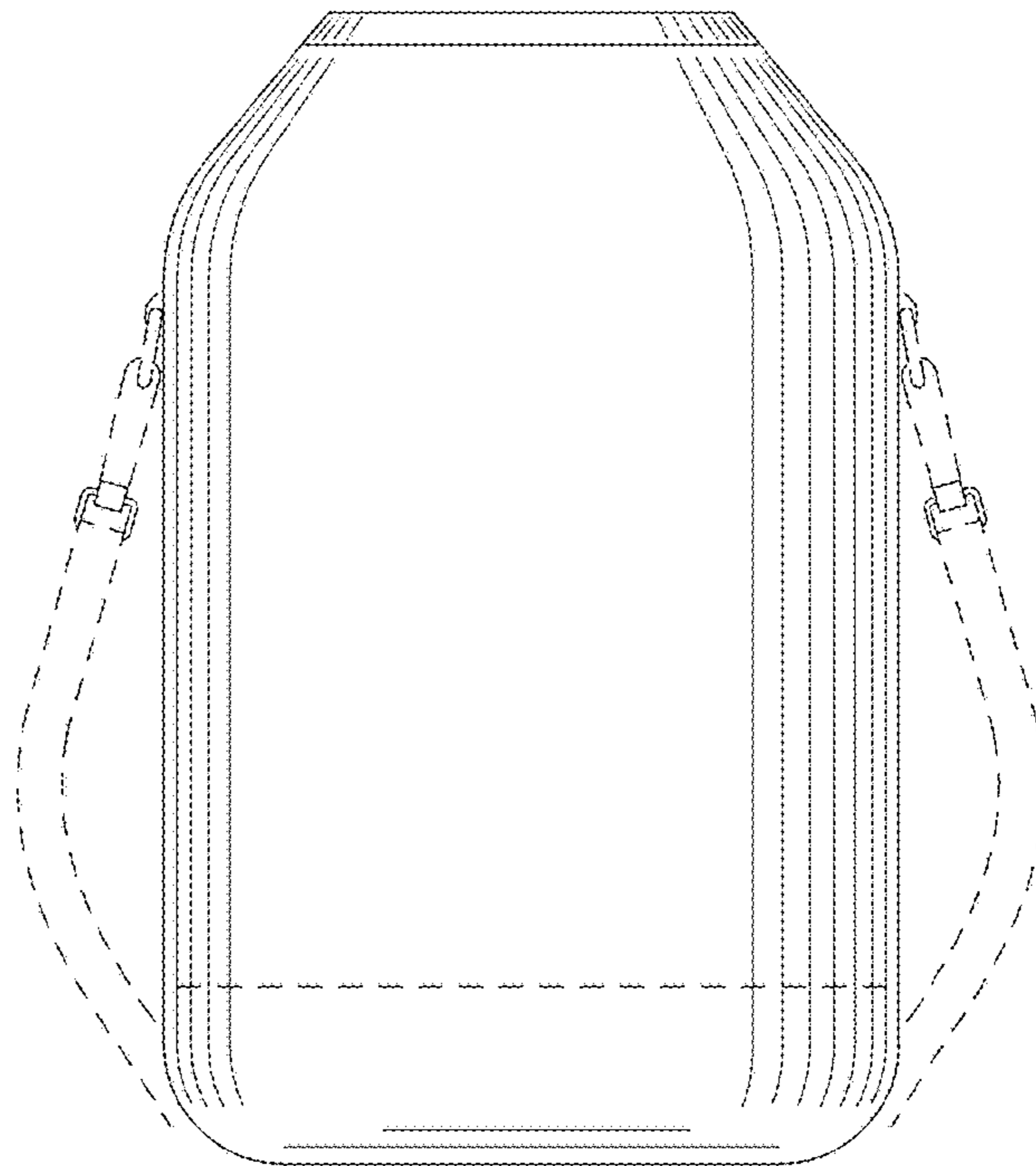


FIG. 4

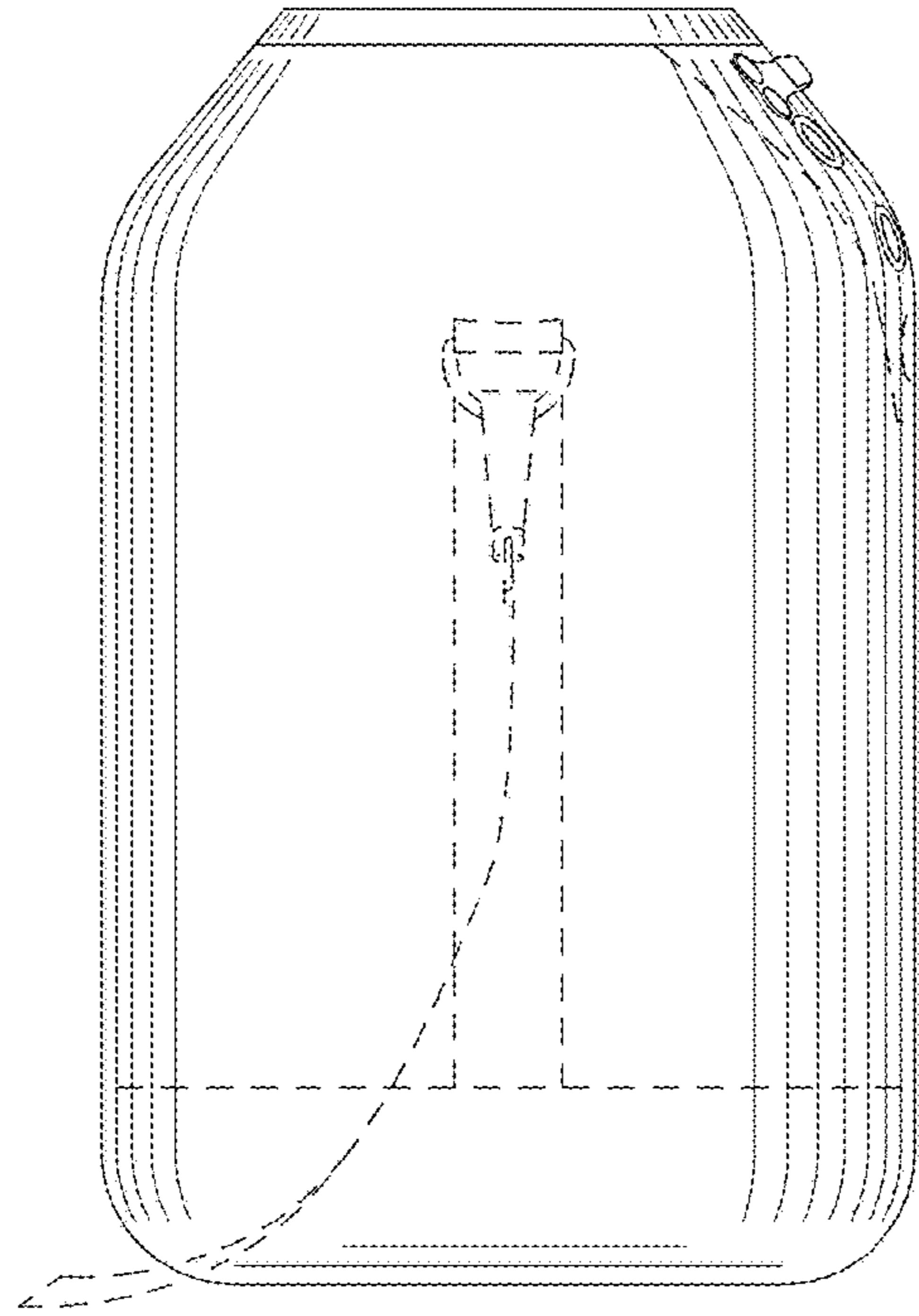


FIG. 5

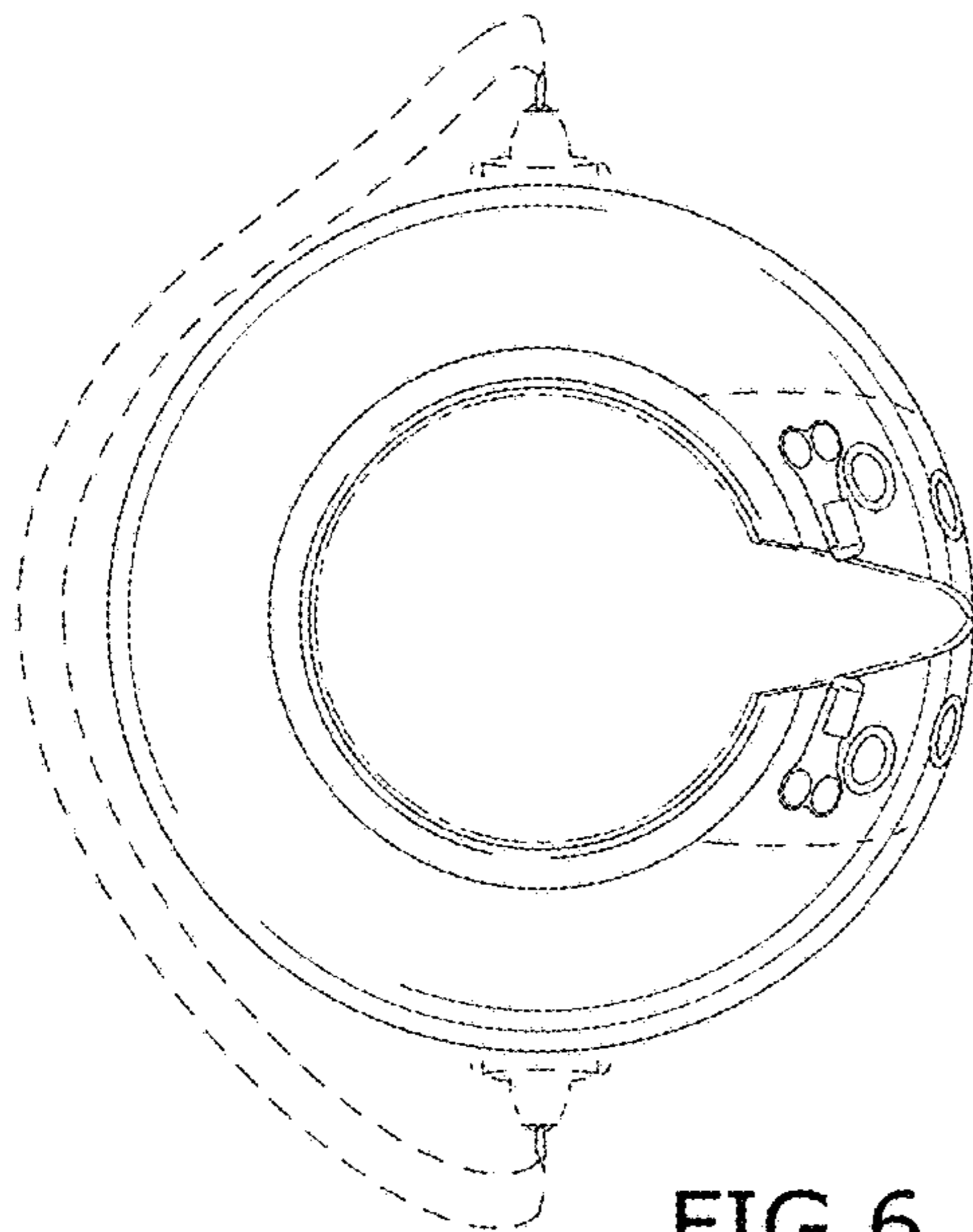


FIG. 6

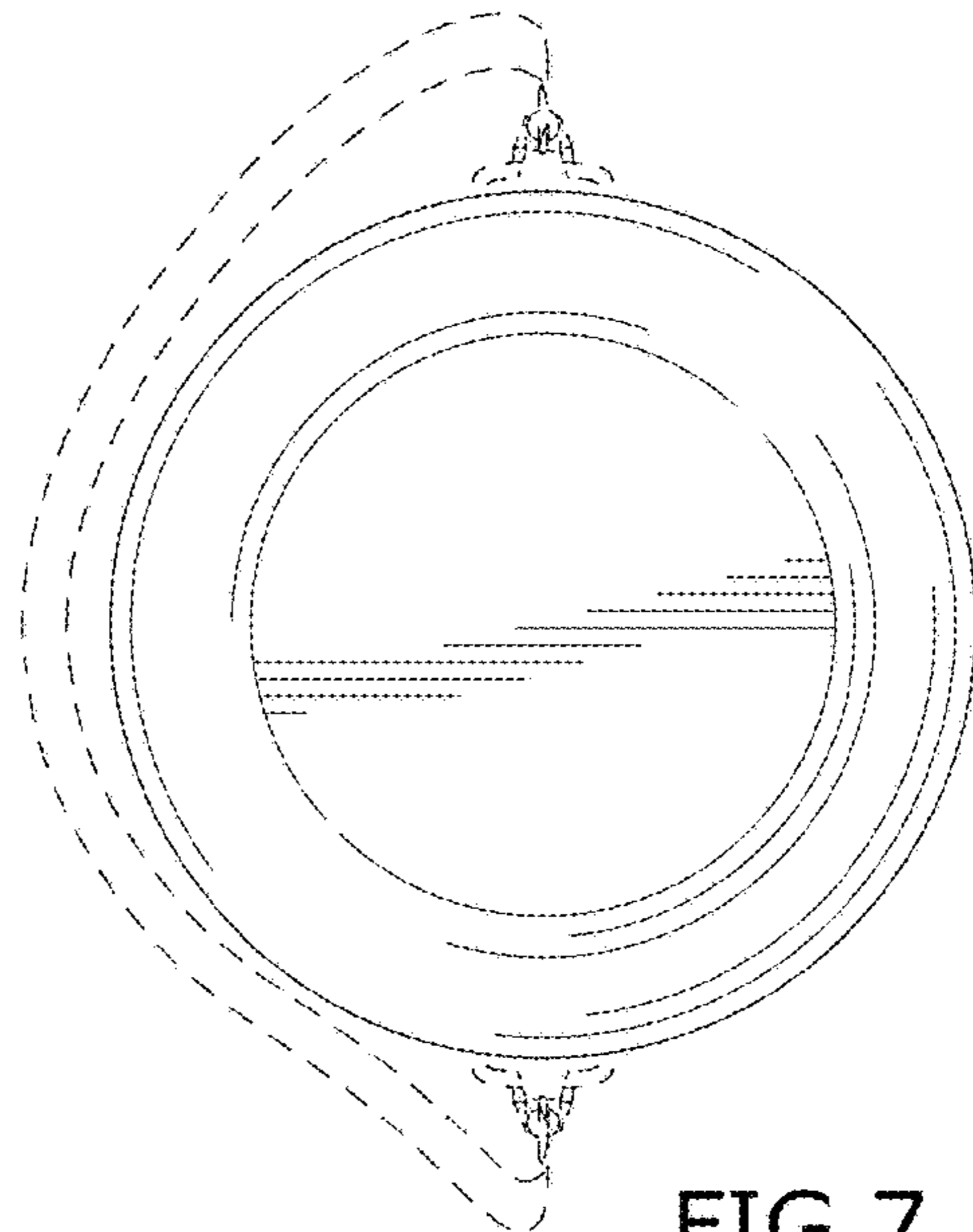


FIG. 7