



US00D811171S

(12) **United States Design Patent** (10) **Patent No.:** **US D811,171 S**  
**Golic et al.** (45) **Date of Patent:** **\*\* Feb. 27, 2018**

(54) **COOLER**

(71) Applicant: **Michael Louis Golic**, Avon, CT (US)

(72) Inventors: **Jacob Kenneth Golic**, Avon, CT (US);  
**Michael Louis Golic**, Avon, CT (US);  
**Aaron Szymanski**, Thomaston, CT (US);  
**Michael Mennone**, Guilford, CT (US);  
**Mohan Rajasekaran**, Bristol, CT (US)

(73) Assignee: **Michael Louis Golic**, Avon, CT (US)

(\*\*) Term: **15 Years**

(21) Appl. No.: **29/603,824**

(22) Filed: **May 12, 2017**

**Related U.S. Application Data**

(62) Division of application No. 29/549,318, filed on Dec. 21, 2015, now Pat. No. Des. 786,626, which is a division of application No. 29/521,638, filed on Mar. 25, 2015, now Pat. No. Des. 745,810, which is a division of application No. 29/460,424, filed on Jul. 10, 2013, now Pat. No. Des. 731,858.

(51) **LOC (11) Cl.** ..... **07-01**

(52) **U.S. Cl.**  
USPC ..... **D7/605**

(58) **Field of Classification Search**  
USPC ..... D7/605–608, 629; D34/12, 14, 17, 19,  
D34/24, 25, 26; D6/686  
CPC .. A45C 5/14; A45C 9/00; A45C 11/20; A45C  
15/00; A45C 7/62; A45C 13/00; F25D  
3/08; F25D 3/14; F25D 2331/804; B62B  
2202/52; B62B 3/007; B62B 3/00; B62B  
7/12; B62B 1/125; B62B 2202/404; B62B  
5/067; B65D 81/3823; B65D 81/38; A47J  
41/022; A47G 19/2288

See application file for complete search history.

(56) **References Cited**

U.S. PATENT DOCUMENTS

1,895,864 A *	1/1933	Ricci .....	B60N 3/103 62/264
2,663,391 A *	12/1953	Kuhns .....	A45C 9/00 126/25 R
4,460,188 A *	7/1984	Maloof .....	B62B 1/20 280/30
4,724,681 A *	2/1988	Bartholomew .....	F25D 3/06 190/18 A
4,846,493 A *	7/1989	Mason .....	A45C 5/146 190/18 A

(Continued)

*Primary Examiner* — Terry A Wallace

(74) *Attorney, Agent, or Firm* — Cantor Colburn LLP

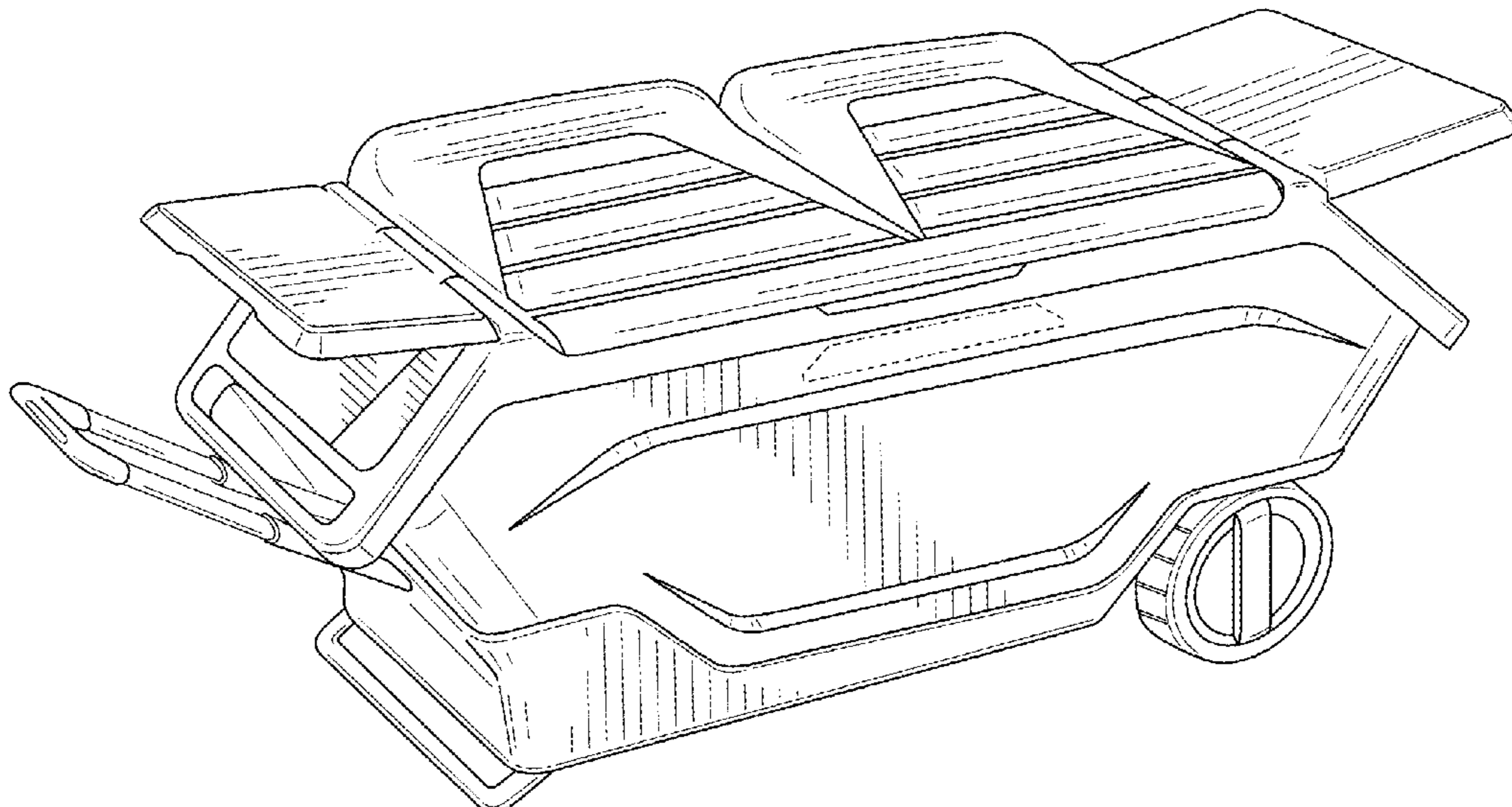
(57) **CLAIM**

We claim, the ornamental design for a cooler, as shown and described.

**DESCRIPTION**

FIG. 1 is a front perspective view of a cooler, showing our new design in an exemplary embodiment;  
FIG. 2 is a front perspective view of the embodiment shown in FIG. 1, the cooler being shown in another configuration;  
FIG. 3 is a front elevation view of the embodiment shown in FIG. 1;  
FIG. 4 is a rear elevation view of the embodiment shown in FIG. 1;  
FIG. 5 is a top plan view of the embodiment shown in FIG. 1;  
FIG. 6 is a bottom plan view of the embodiment shown in FIG. 1;  
FIG. 7 is a side elevation view of the embodiment shown in FIG. 1; and,  
FIG. 8 is another side elevation view of the embodiment shown in FIG. 1.

**1 Claim, 7 Drawing Sheets**



(56)

References Cited

U.S. PATENT DOCUMENTS

5,100,198 A *	3/1992	Baltzell	A47C 7/74	7,163,262 B2 *	1/2007	Anglin	A47C 4/04
			280/30				297/184.15
5,269,157 A *	12/1993	Ciminelli	A45B 11/00	7,559,602 B2 *	7/2009	Ward	A47C 3/16
			280/47.18				297/188.04
5,313,817 A *	5/1994	Meinders	A45C 5/146	D604,994 S *	12/2009	Greenlees	D7/605
			190/18 A	D613,560 S *	4/2010	Robichaud	D7/605
5,480,170 A *	1/1996	Kaiser, II	A47B 31/02	7,810,350 B2 *	10/2010	Shelton	A45F 3/04
			108/80				62/371
D368,387 S *	4/1996	Bureau	D6/686	D652,263 S *	1/2012	Whitman	D7/605
D369,695 S *	5/1996	Imotani	D6/686	D667,697 S *	9/2012	Shah	D7/605
5,727,844 A *	3/1998	O'Quinn	A47C 3/16	8,256,242 B1 *	9/2012	Evans	A45C 11/20
			206/216				62/457.7
5,803,472 A *	9/1998	Lien	A45C 5/14	8,356,712 B2 *	1/2013	Piazza, Jr.	A45C 9/00
			108/129				108/14
D415,658 S *	10/1999	Frehse	D7/605	2007/0101754 A1 *	5/2007	Maldonado	B67D 3/0067
6,311,991 B1 *	11/2001	Conrado	A45C 5/14				62/389
			280/47.26	2008/0223862 A1 *	9/2008	Vanderberg	A45C 7/004
D484,004 S *	12/2003	Lee	D7/605				220/592.03
6,993,931 B1 *	2/2006	Hamilton	A45B 23/00	2009/0217699 A1 *	9/2009	Ball	A45C 11/20
			62/371				62/457.7

\* cited by examiner

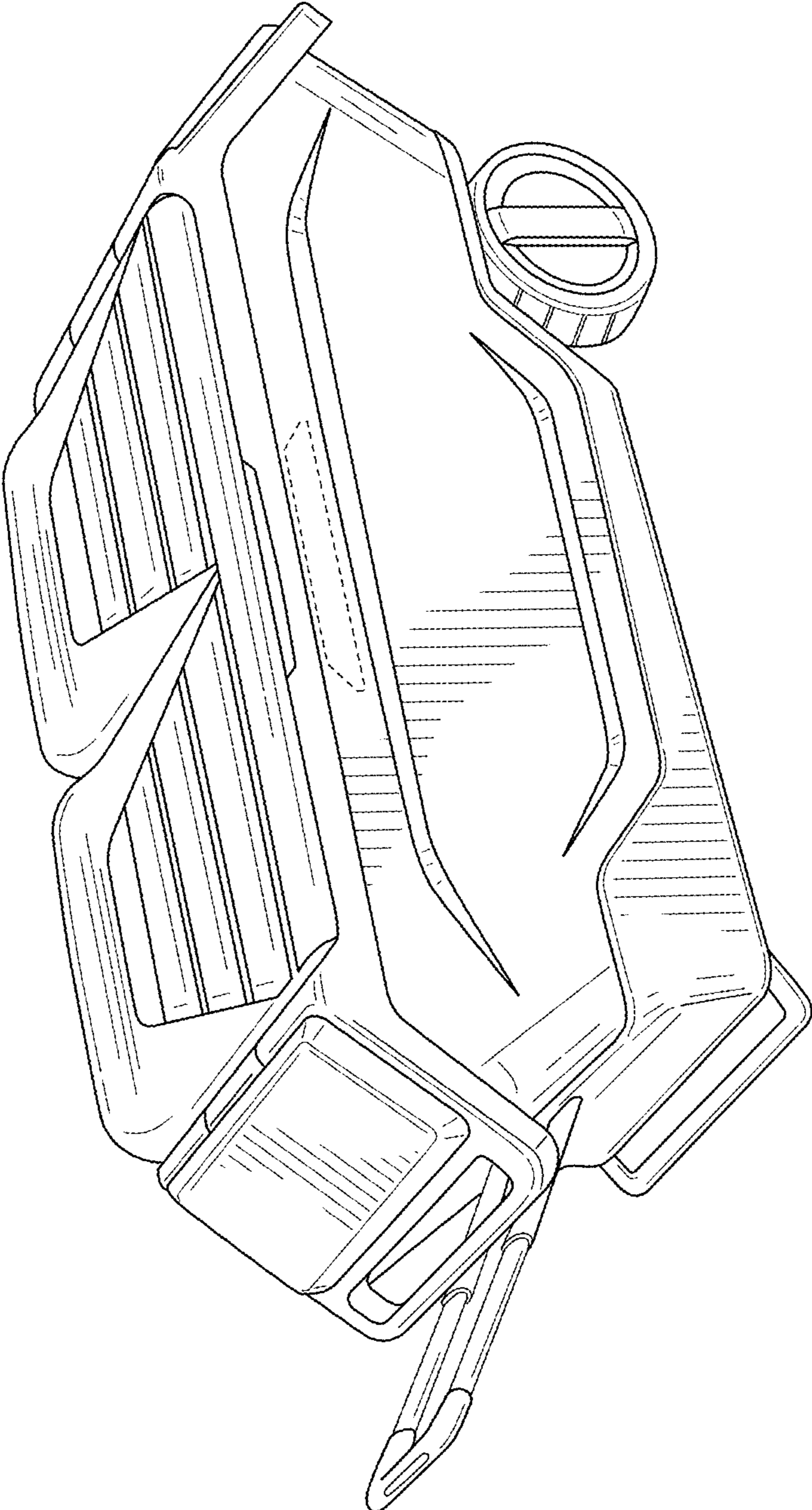


FIG. 1

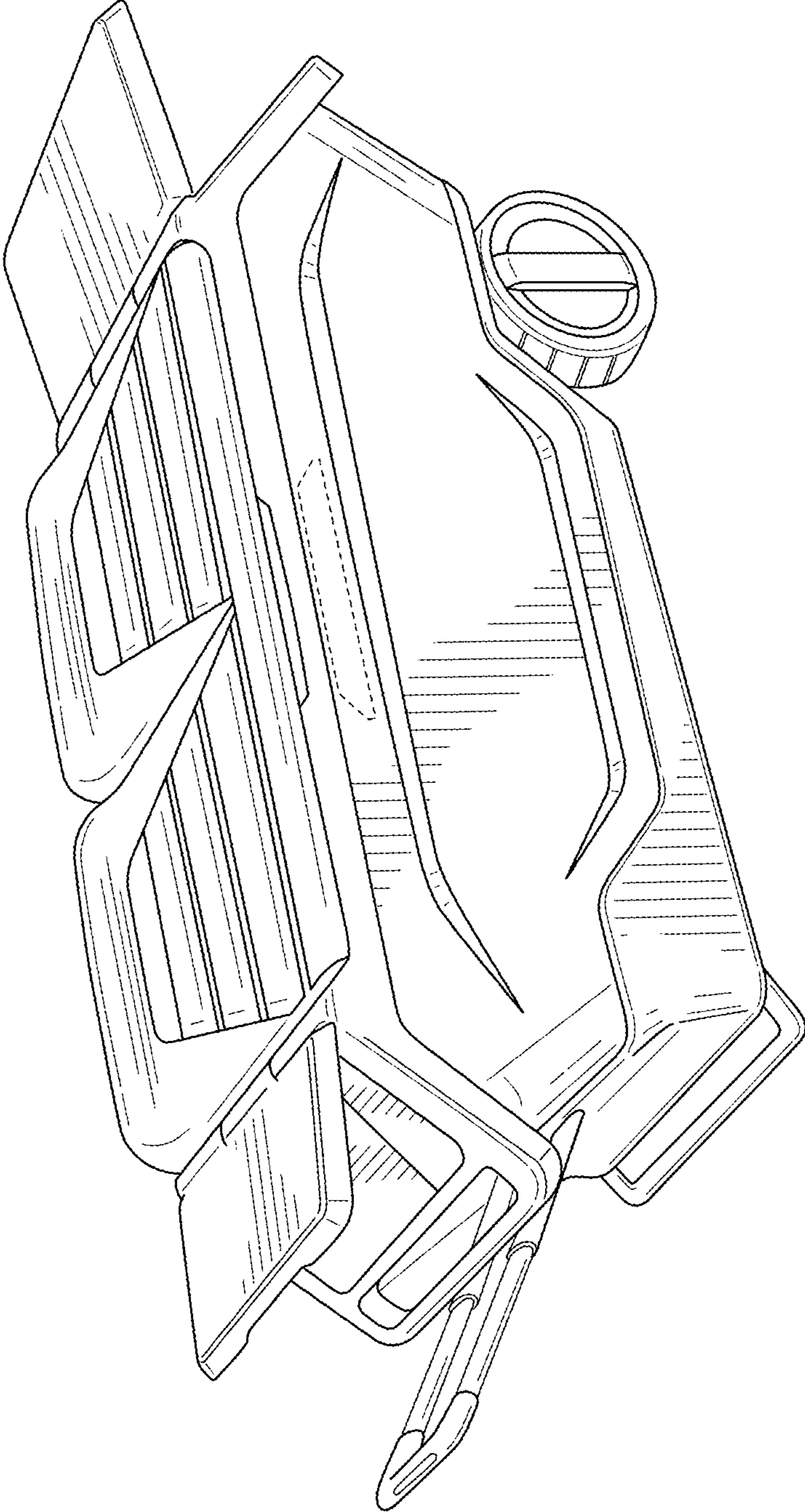


FIG. 2

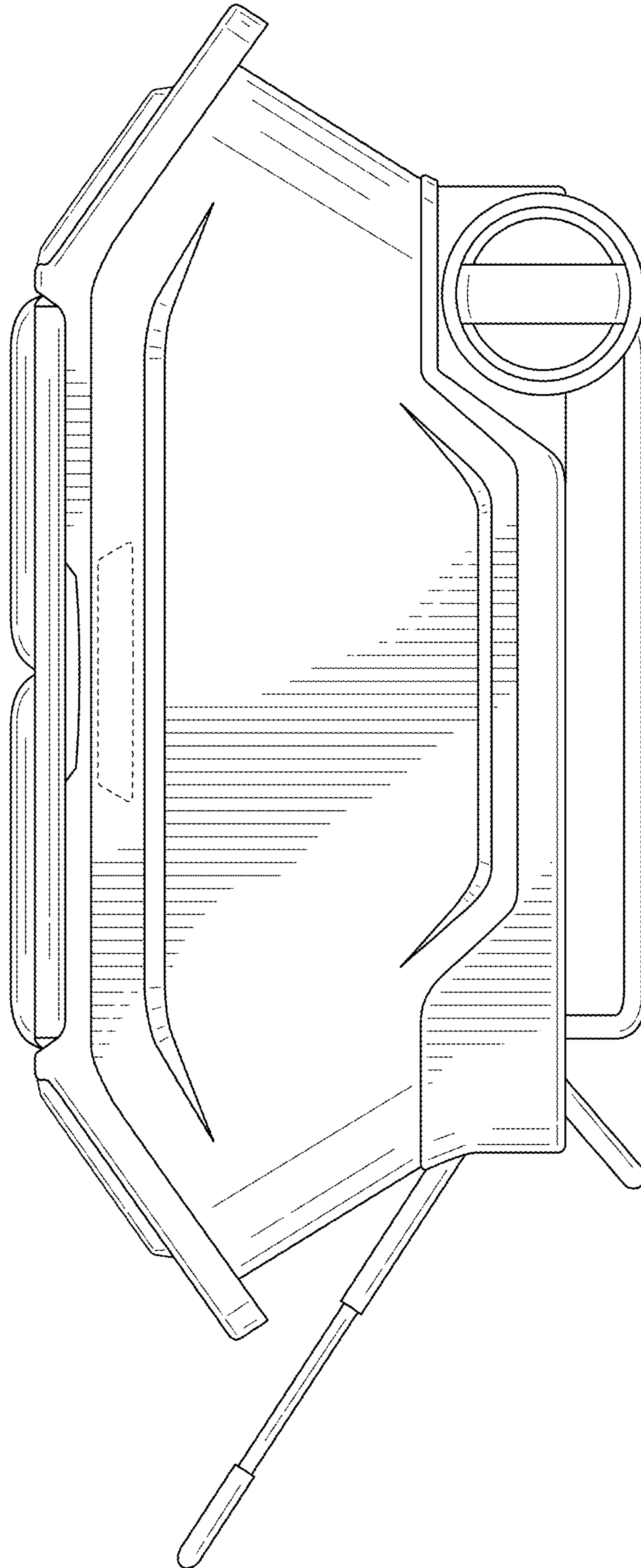


FIG. 3

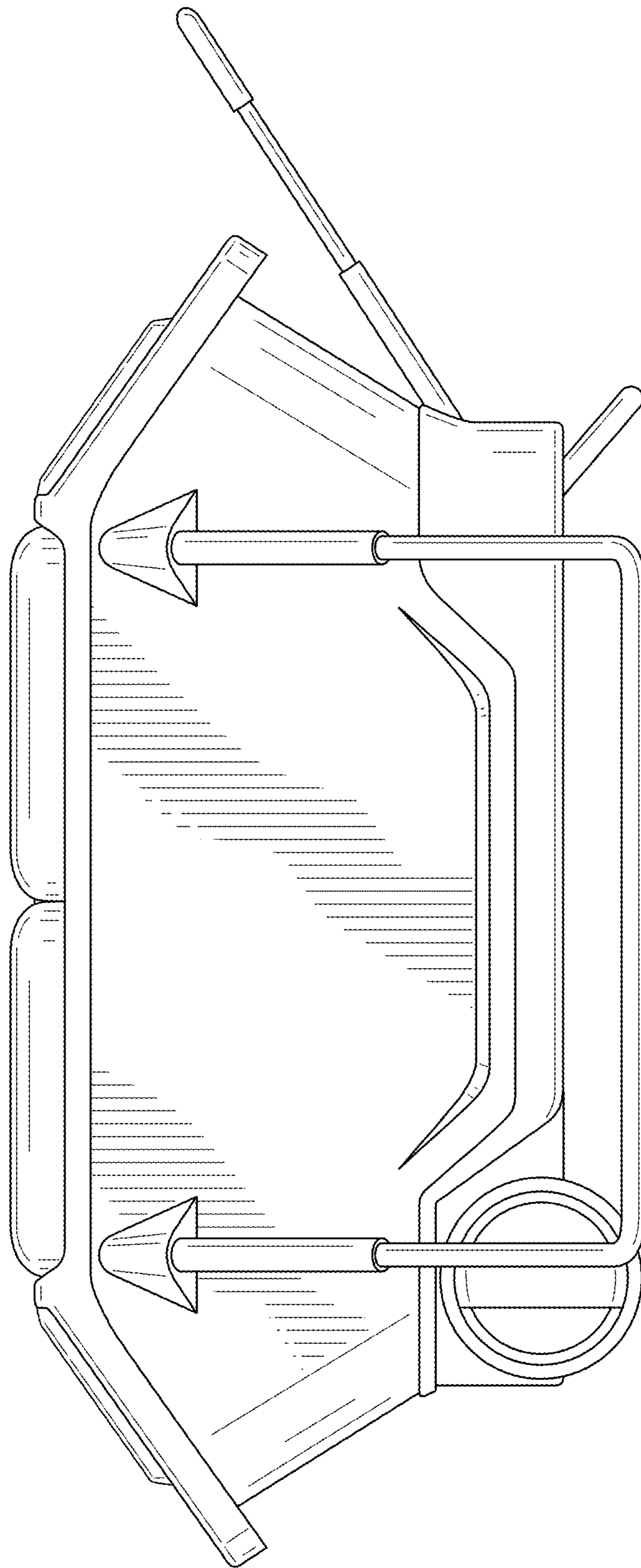


FIG. 4

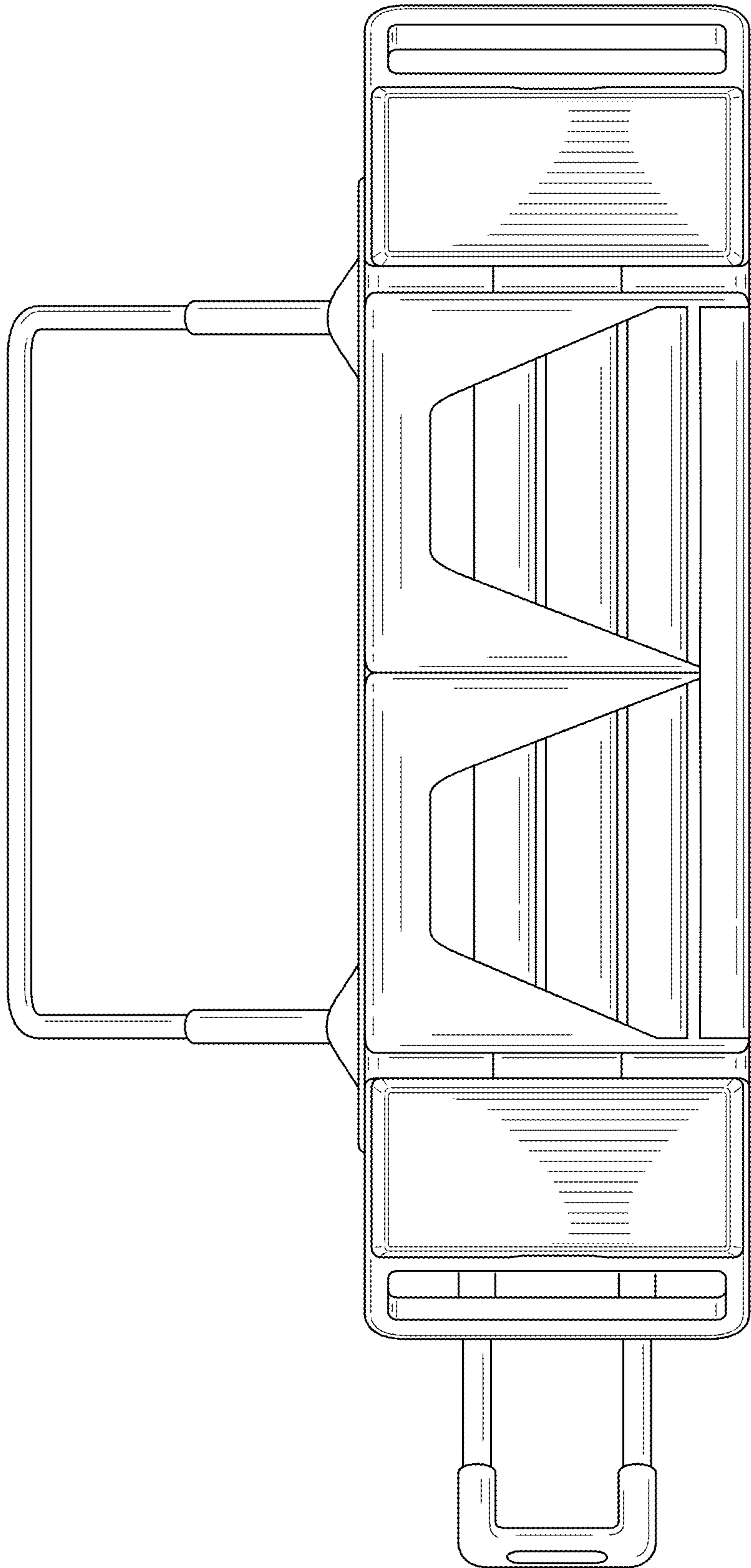


FIG. 5

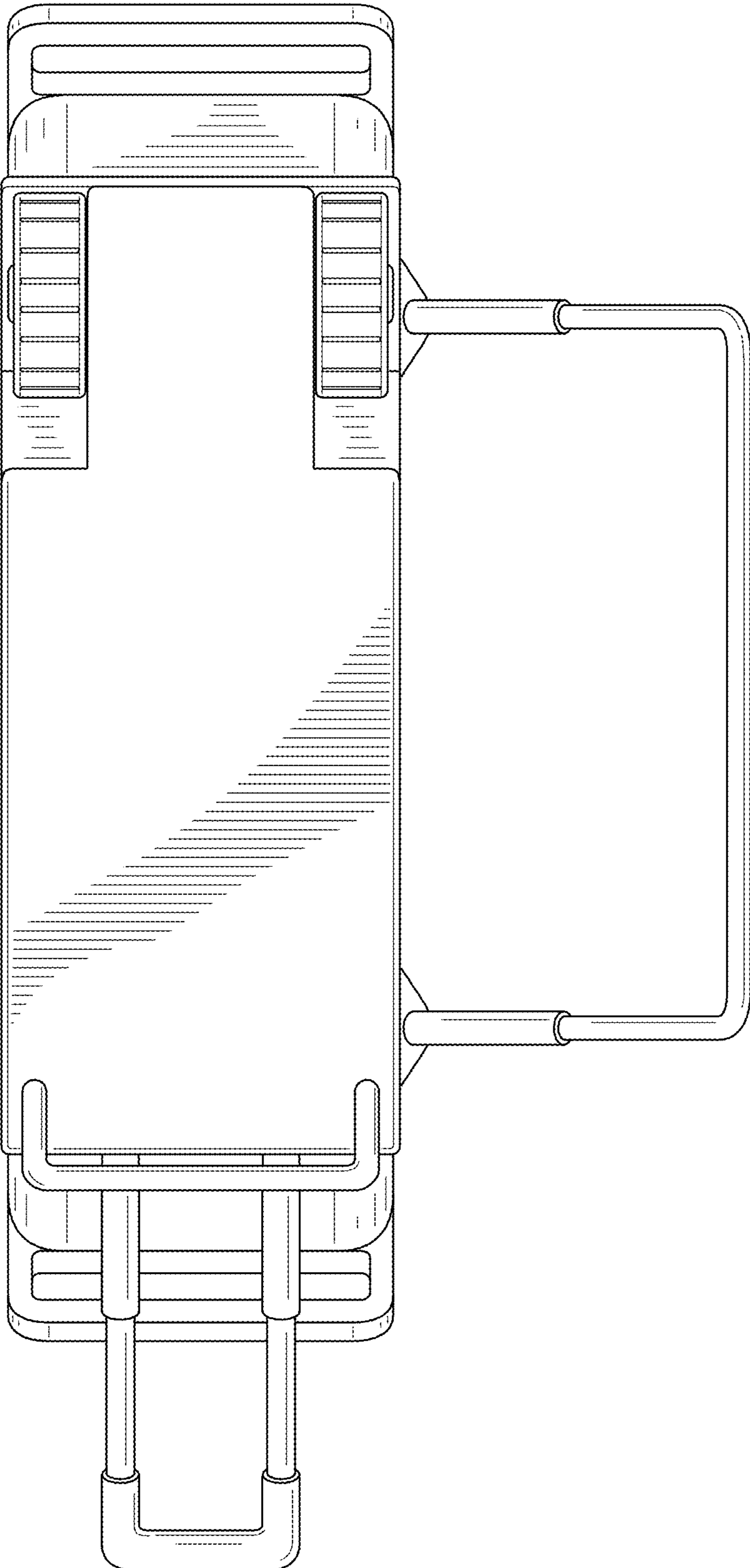


FIG. 6



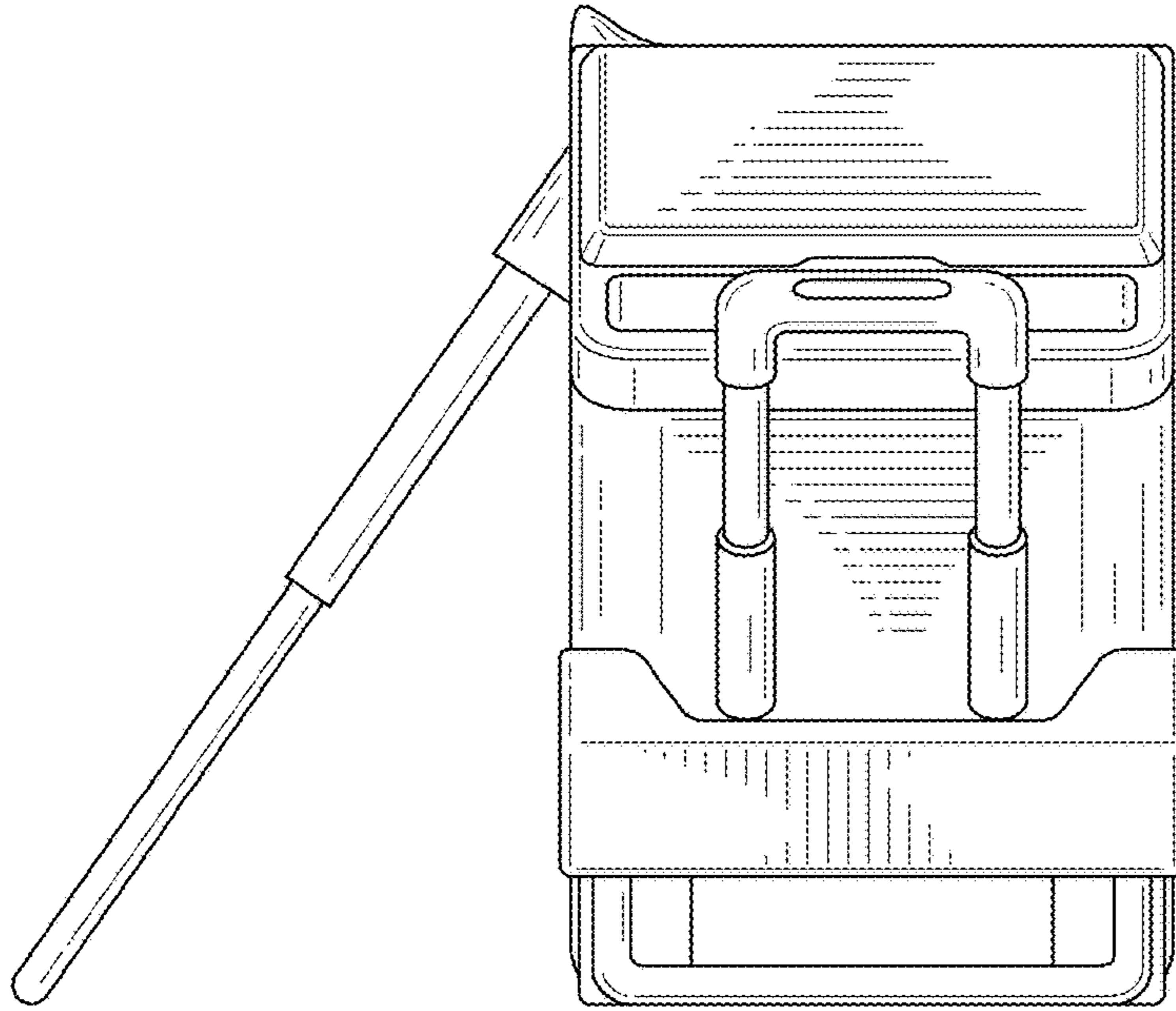


FIG. 7

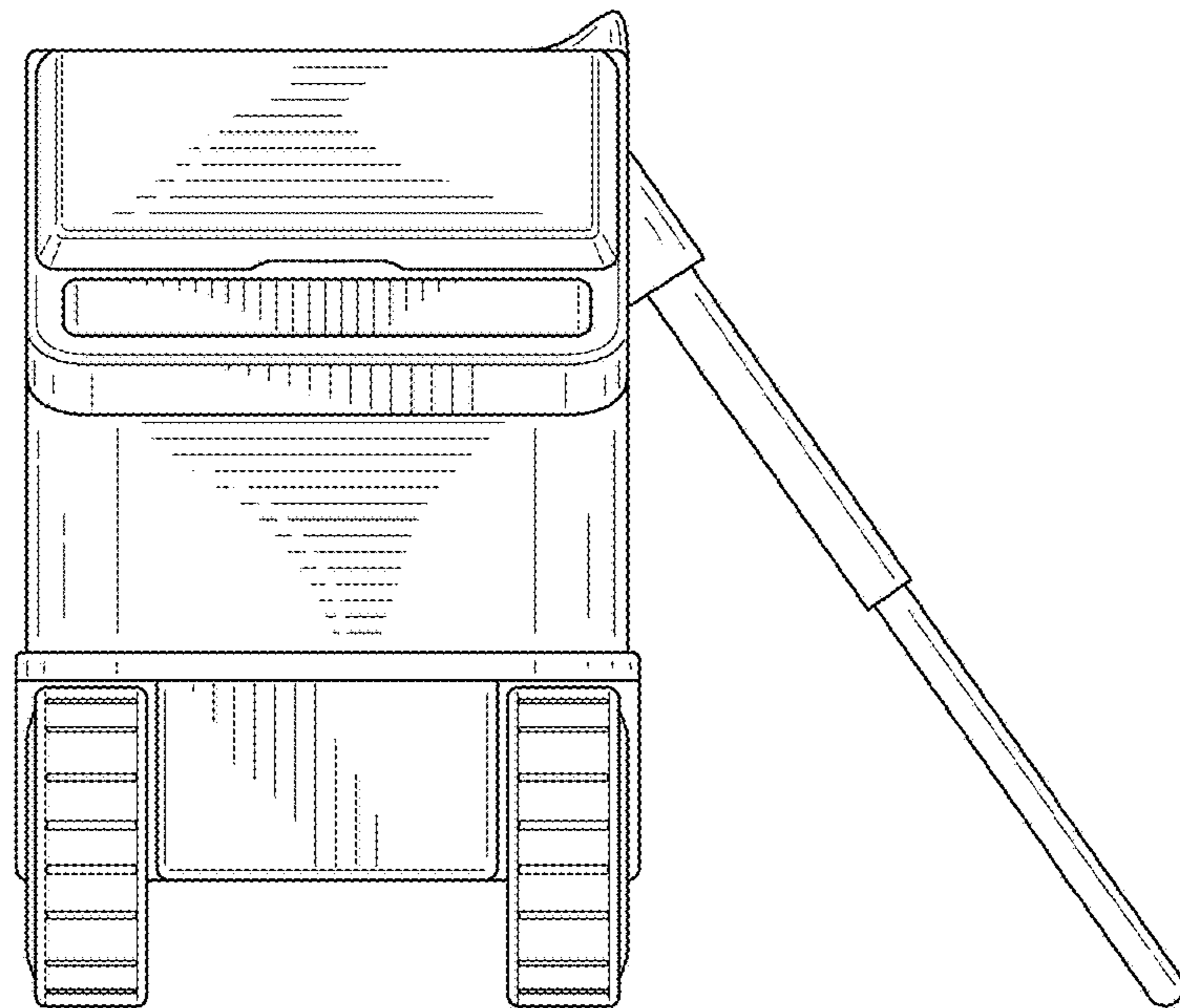


FIG. 8